



US00D716002S

(12) **United States Design Patent**
Greenan

(10) **Patent No.:** **US D716,002 S**

(45) **Date of Patent:** **** Oct. 21, 2014**

(54) **CONTAINER**

(71) Applicant: **Niall Greenan**, Castlewellan County
Down (GB)

(72) Inventor: **Niall Greenan**, Castlewellan County
Down (GB)

(**) Term: **14 Years**

(21) Appl. No.: **29/457,992**

(22) Filed: **Jun. 14, 2013**

(51) **LOC (10) Cl.** **30-03**

(52) **U.S. Cl.**
USPC **D30/121; D30/133; D7/629**

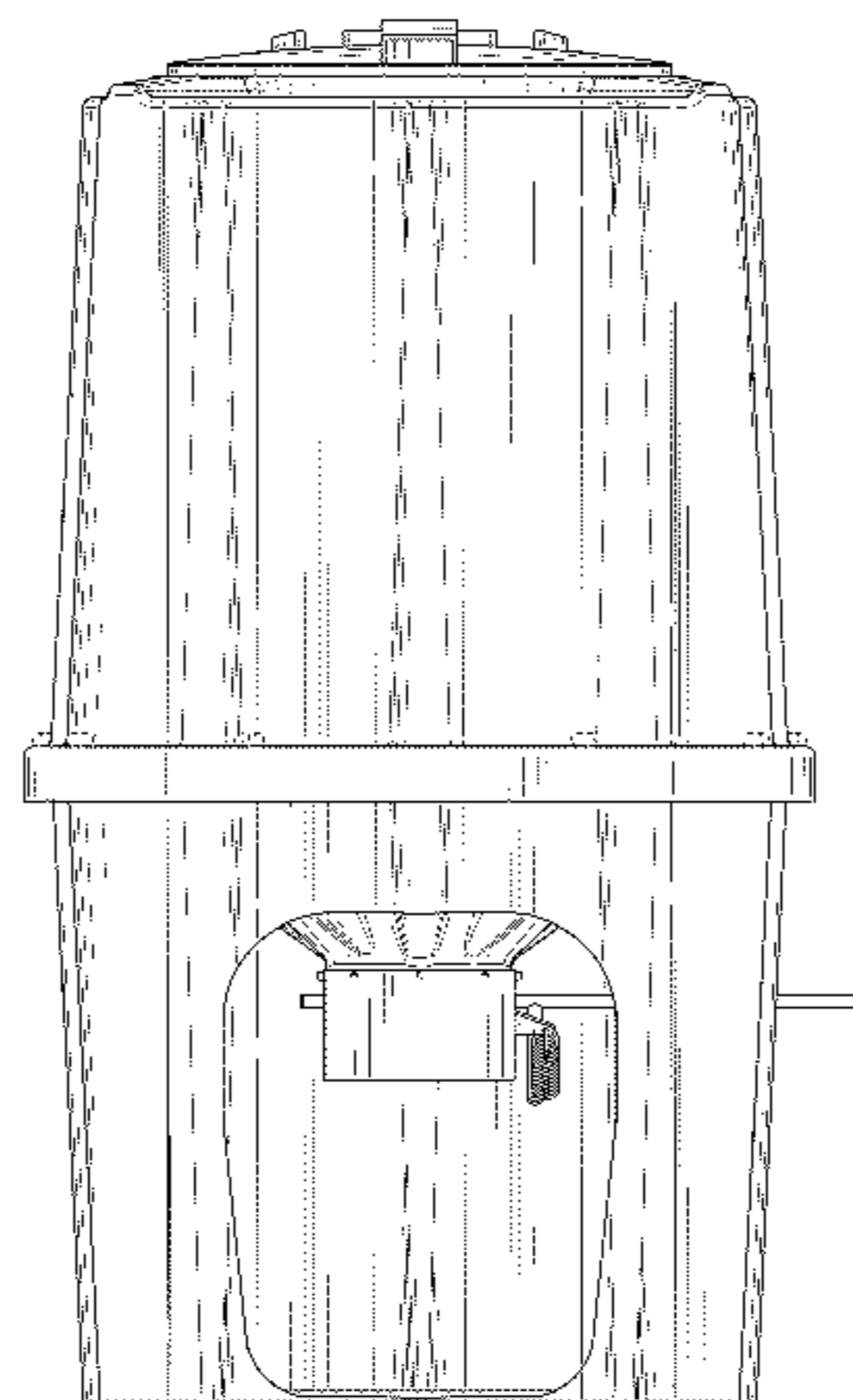
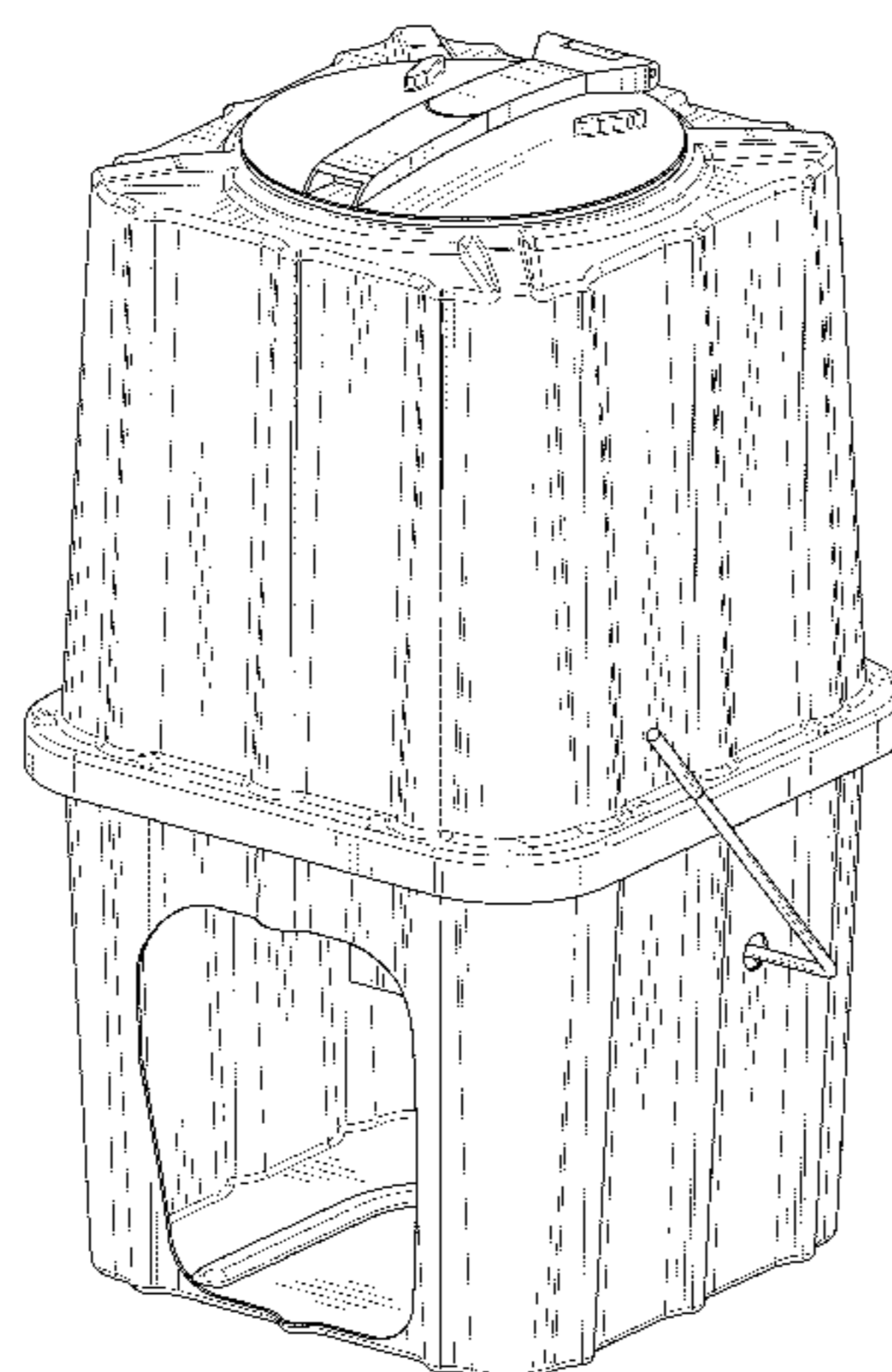
(58) **Field of Classification Search**
USPC D30/133, 121, 199, 108-113, 117;
119/508, 500, 501, 498, 482, 161, 481,
119/483, 475, 484, 246, 165, 453, 452, 248,
119/269, 201, 502, 52.1, 51.11, 51.12, 77;
449/30, 1, 12, 2, 20, 25, 19, 27, 7, 28,
449/21, 8, 6, 23, 24, 26, 31, 13, 37, 60, 14,
449/11, 42-44; D3/304-316, 201, 273,
D3/276, 283-286, 318, 319, 272, 294;
312/263; 43/54.1, 55, 56; 217/54, 43 R;
294/158; 428/118, 116, 698; 220/560,
220/216, 4.28, 786, 847, 675, 676, 1.5, 6,
220/4.29, DIG. 12-DIG. 15, DIG. 2;
206/503, 203, 512, 509; 156/78, 89.27,
156/89.22; 521/131; 427/255.11, 255.12,
427/255.19, 900; D9/755, 781, 770,
D9/430-432, 440, 449; D7/550.1, 552.1,
D7/553.1, 553.2, 553.7, 554.2-554.4, 561,
D7/701, 629, 612-615; D6/525-540;
D12/412, 414.1, 425; D19/75, 86, 90;
160/DIG. 7; 135/115, 119; 126/908

See application file for complete search history.

(56) **References Cited**

U.S. PATENT DOCUMENTS

D195,165	S	*	5/1963	Johnson	D30/121
3,659,754	A	*	5/1972	Barone et al.	222/368
D232,565	S	*	8/1974	Rosenberg	D30/161
D232,848	S	*	9/1974	Barton et al.	D30/121
3,917,128	A	*	11/1975	Terry	222/410
D239,546	S	*	4/1976	Kitson	D30/121
D248,333	S	*	6/1978	Haugen	D30/161
D250,051	S	*	10/1978	Spinks	D30/161
D263,763	S	*	4/1982	Bore	D30/121
4,688,520	A	*	8/1987	Parks	119/51.11
D298,371	S	*	11/1988	Reynolds	D30/161
D300,378	S	*	3/1989	Bore	D30/121
D300,968	S	*	5/1989	Conner	D30/161
D327,555	S	*	6/1992	Juergens	D34/1
D330,098	S	*	10/1992	VanSkiver	D30/121
D331,132	S	*	11/1992	Maddocks	D30/121
D335,004	S	*	4/1993	Poston	D30/121
D338,287	S	*	8/1993	Tonner	D30/122
D339,436	S	*	9/1993	Craft et al.	D32/53
D350,841	S	*	9/1994	VanSkiver	D30/121
D361,175	S	*	8/1995	VanSkiver	D30/161
D364,942	S	*	12/1995	VanSkiver et al.	D30/121
D365,428	S	*	12/1995	Prout et al.	D34/5
D367,071	S	*	2/1996	McKay	D15/27
D370,095	S	*	5/1996	Siler	D30/161
D370,316	S	*	5/1996	Merino	D30/161
D370,317	S	*	5/1996	Kohus	D30/161
5,535,914	A	*	7/1996	Badalamenti et al.	220/495.1
5,582,322	A	*	12/1996	Prout et al.	220/771
D377,547	S	*	1/1997	Bell	D30/121
5,641,090	A	*	6/1997	Kowalski et al.	220/782
5,881,901	A	*	3/1999	Hampton	220/495.08
D410,125	S	*	5/1999	Rehrig et al.	D34/11
D426,361	S	*	6/2000	Young	D32/53
6,102,235	A	*	8/2000	Stern et al.	220/212
6,145,856	A	*	11/2000	Conti	280/47.26
D435,180	S	*	12/2000	Richard	D6/445
D438,952	S	*	3/2001	Cimino et al.	D24/107
6,276,557	B1	*	8/2001	Wysocki	220/608
6,328,320	B1	*	12/2001	Walski et al.	280/47.26
6,427,628	B1	*	8/2002	Reece	119/51.11
D465,628	S	*	11/2002	Chen	D34/5
D468,071	S	*	12/2002	Le et al.	D34/19
D468,420	S	*	1/2003	Bolmsjo	D24/107
D471,336	S	*	3/2003	Tuduri	D34/5
D477,440	S	*	7/2003	Ansaldo	D30/121
D478,197	S	*	8/2003	Raghunathan	D34/5
D478,701	S	*	8/2003	Panek, Jr.	D34/25
6,626,321	B2	*	9/2003	Jaeger	220/571



D482,274	S	*	11/2003	Walsh et al.	D9/528
6,651,992	B1	*	11/2003	Smith, Sr.	280/47.26
6,681,718	B1	*	1/2004	McIlarky	119/53
D486,946	S	*	2/2004	Castro	D30/121
D488,889	S	*	4/2004	Walsh	D30/121
6,722,311	B1	*	4/2004	Sides et al.	119/52.1
6,761,129	B1	*	7/2004	Smith	119/52.1
6,863,025	B2	*	3/2005	Ness	119/72
D505,522	S	*	5/2005	Jurk	D30/131
6,962,301	B1	*	11/2005	Chang	241/100
D527,498	S	*	8/2006	Lewis, II	D30/161
7,121,564	B2	*	10/2006	Hassell	280/47.26
D532,173	S	*	11/2006	Aiken et al.	D34/5
D540,493	S	*	4/2007	Fick	D30/133
D540,992	S	*	4/2007	Fick	D30/133
D543,666	S	*	5/2007	Ross et al.	D30/133
D554,301	S	*	10/2007	Fick	D30/133
D554,302	S	*	10/2007	Fick	D30/133
D574,569	S	*	8/2008	Yang et al.	D34/9
D577,170	S	*	9/2008	Meers	D34/5
D593,269	S	*	5/2009	Weiler	D32/53
D594,169	S	*	6/2009	Connor et al.	D34/5
D600,111	S	*	9/2009	Gerulski et al.	D9/424
D603,565	S	*	11/2009	Fick	D30/121
D608,066	S	*	1/2010	Pearl et al.	D32/53
7,703,631	B2	*	4/2010	Chafe et al.	220/570
D617,072	S	*	6/2010	Lipscomb et al.	D34/17
D618,414	S	*	6/2010	Bechtold, Jr.	D32/54
D622,451	S	*	8/2010	Yang et al.	D30/121
7,913,647	B1	*	3/2011	Martin	119/52.1
D657,109	S	*	4/2012	Liao	D34/9
D657,920	S	*	4/2012	Rivera, Sr.	D30/133
D662,322	S	*	6/2012	Perez-Segarra	D3/309
8,272,350	B1	*	9/2012	England	119/52.1
D668,415	S	*	10/2012	Decker et al.	D34/9
D673,333	S	*	12/2012	Duvigneau	D30/133
D677,850	S	*	3/2013	Lapalme	D34/9
D688,018	S	*	8/2013	Duquenoy et al.	D32/53
D691,770	S	*	10/2013	Woller et al.	D30/121
D699,400	S	*	2/2014	Itzhak-Sigron et al.	D30/121
D699,407	S	*	2/2014	Sikora et al.	D30/161
D702,892	S	*	4/2014	Duvigneau	D30/121
D703,392	S	*	4/2014	Desberg	D30/121
D704,384	S	*	5/2014	Worsley et al.	D30/121
2002/0148846	A1	*	10/2002	Luburic	220/792
2002/0158068	A1	*	10/2002	Panek, Jr.	220/23.87
2004/0226583	A1	*	11/2004	Smiley	134/32
2005/0284383	A1	*	12/2005	Fehring et al.	119/51.13
2006/0076260	A1	*	4/2006	Luburic	206/503
2006/0196433	A1	*	9/2006	Ness	119/52.1
2007/0119378	A1	*	5/2007	Fick	119/52.1
2008/0202436	A1	*	8/2008	Romeu Guardia	119/52.1
2013/0061809	A1	*	3/2013	Jenkins	119/52.1
2013/0174788	A1	*	7/2013	O'Connor	119/52.1

FOREIGN PATENT DOCUMENTS

EM 001986803-0001 1 A 2/2012

* cited by examiner

Primary Examiner — Susan Moon Lee

(74) Attorney, Agent, or Firm — Donald J. Ranft; Collen IP

(57) **CLAIM**
The ornamental design for a container, as shown and described.

DESCRIPTION

FIG. 1 is a front perspective view of the top component of the container of the present design;
 FIG. 2 is a front view thereof;
 FIG. 3 is a rear view thereof;
 FIG. 4 is a right side view thereof;
 FIG. 5 is a left side view thereof;
 FIG. 6 is a top view thereof;
 FIG. 7 is a bottom view thereof;
 FIG. 8 is a front perspective view of the middle component of the container of the present design;
 FIG. 9 is a front view thereof;
 FIG. 10 is a rear view thereof;
 FIG. 11 is a right side view thereof;
 FIG. 12 is a left side view thereof;
 FIG. 13 is a top view thereof;
 FIG. 14 is a bottom view thereof;
 FIG. 15 is a front perspective view of the bottom component of the container of the present design;
 FIG. 16 is a front view thereof;
 FIG. 17 is a rear view thereof;
 FIG. 18 is a right side view thereof;
 FIG. 19 is a left side view thereof;
 FIG. 20 is a top view thereof;
 FIG. 21 is a bottom view thereof;
 FIG. 22 is a front perspective view of the assembled container of the present design;
 FIG. 23 is a front view thereof;
 FIG. 24 is a rear view thereof;
 FIG. 25 is a right side view thereof;
 FIG. 26 is a left side view thereof;
 FIG. 27 is a top view thereof;
 FIG. 28 is a bottom view thereof;
 FIG. 29 is a front perspective view of the assembled container in which the top is in an opened position;
 FIG. 30 is an exploded left perspective view of the container;
 FIG. 31 is an exploded right perspective view thereof;
 FIG. 32 is a front perspective view of the top component of the container of the present invention shown, illustratively, in a stacked environment;
 FIG. 33 is a front perspective view of the bottom component of the container of the present invention shown, illustratively, in a stacked environment; and,
 FIG. 34 is a front perspective view of the middle component of the container of the present invention shown, illustratively, in a stacked environment.
 Broken lines and unshaded portions contained within broken line are not claimed.

1 Claim, 26 Drawing Sheets

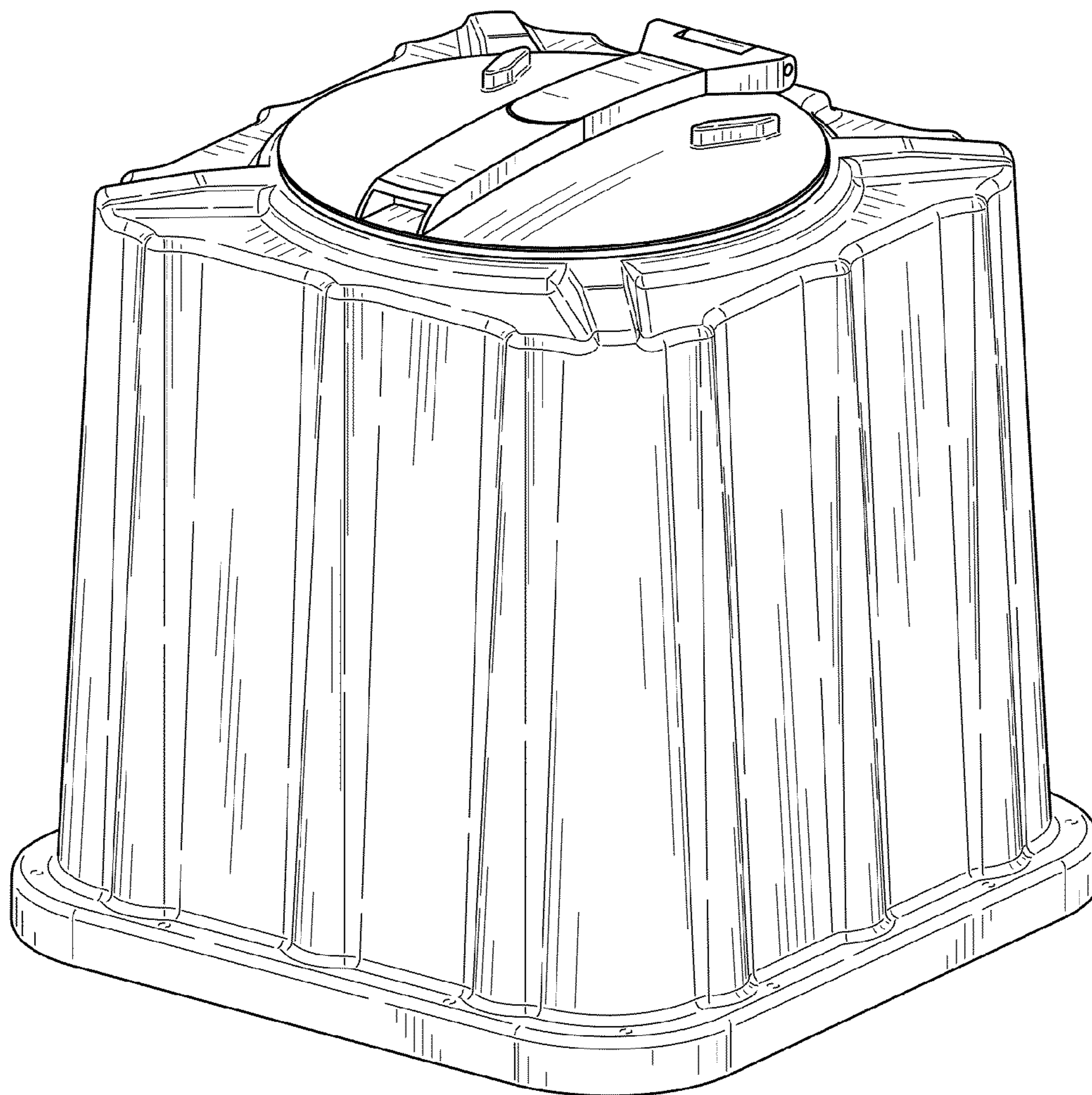


FIG. 1

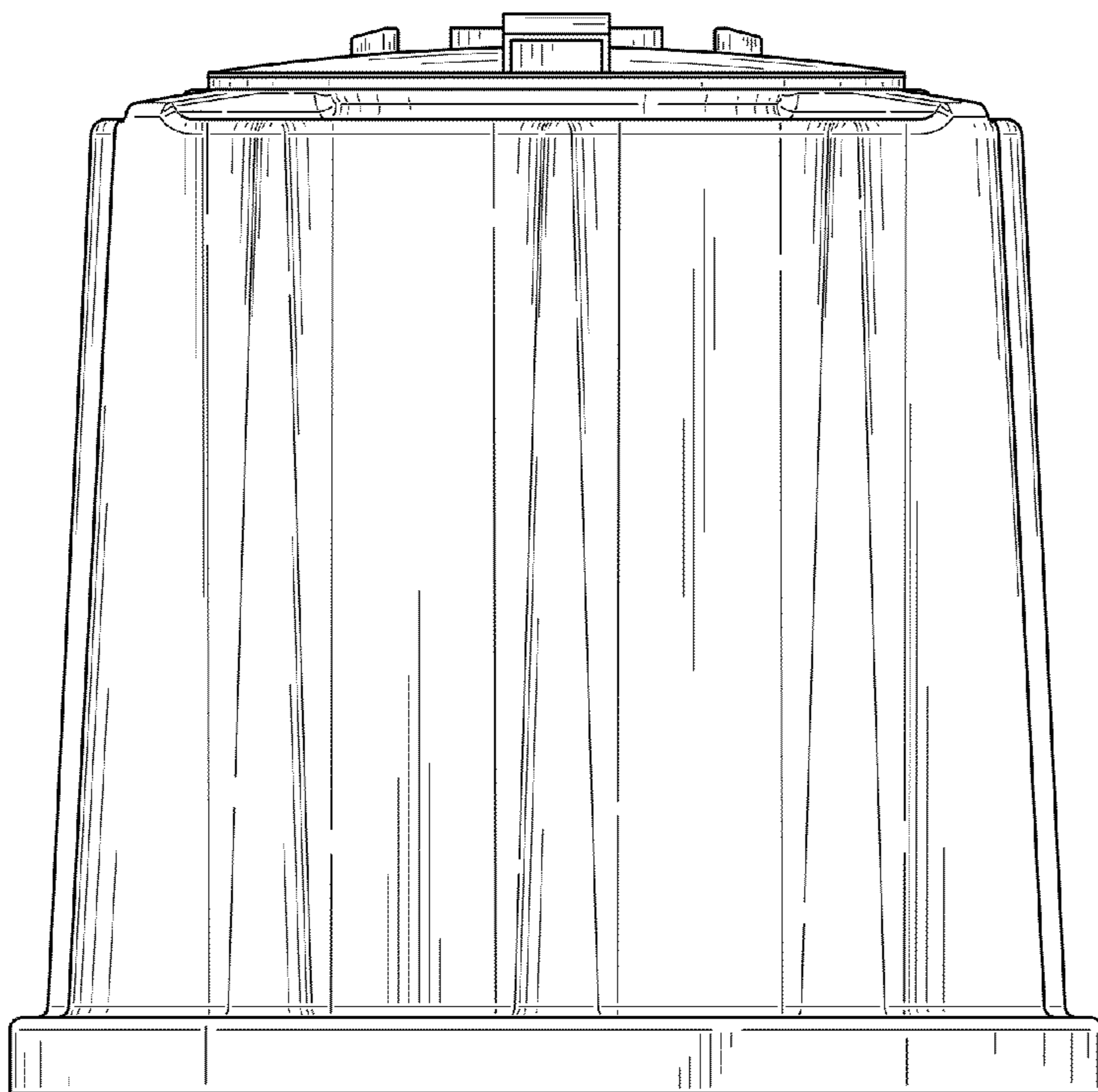


FIG. 2

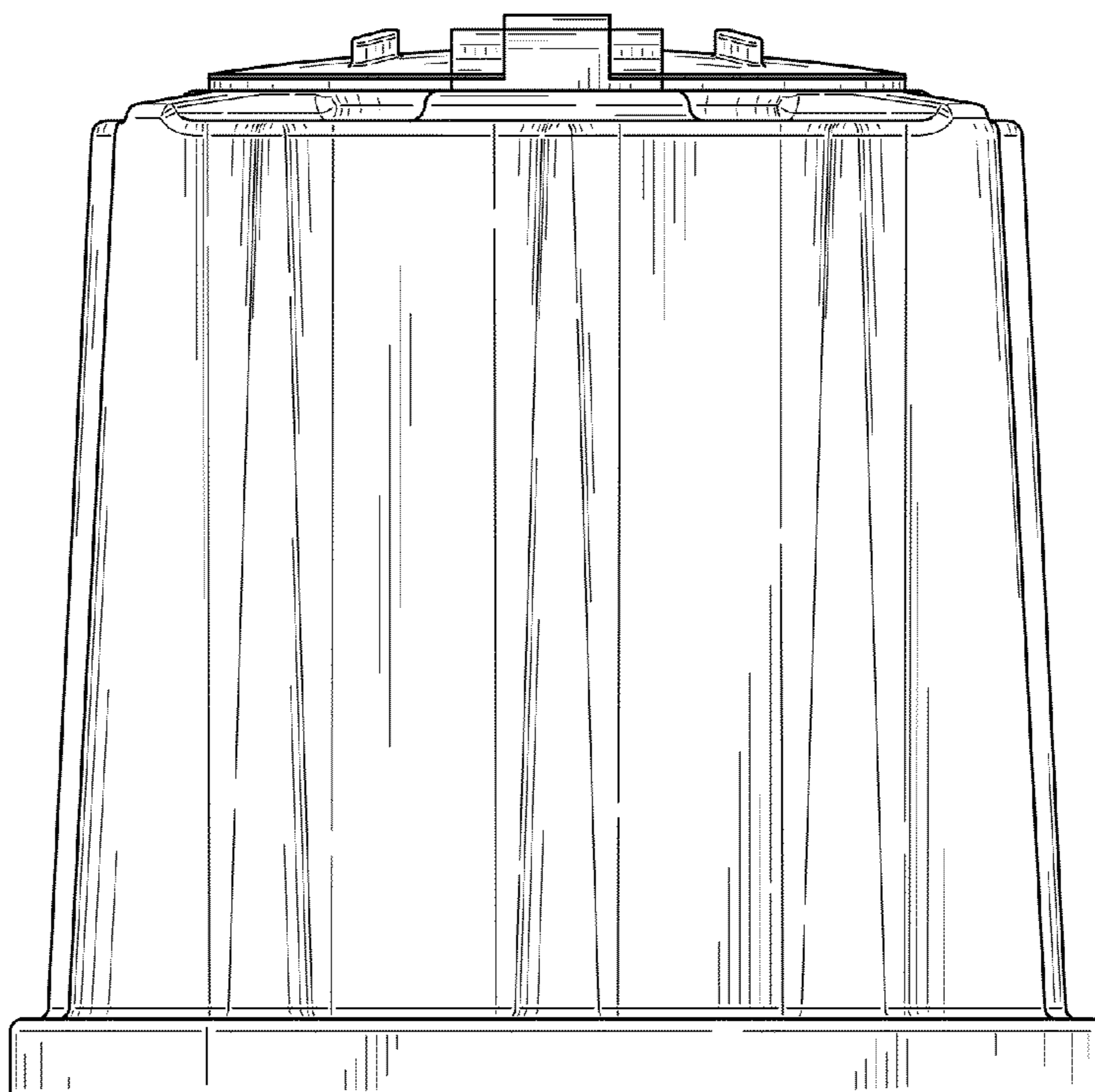


FIG. 3

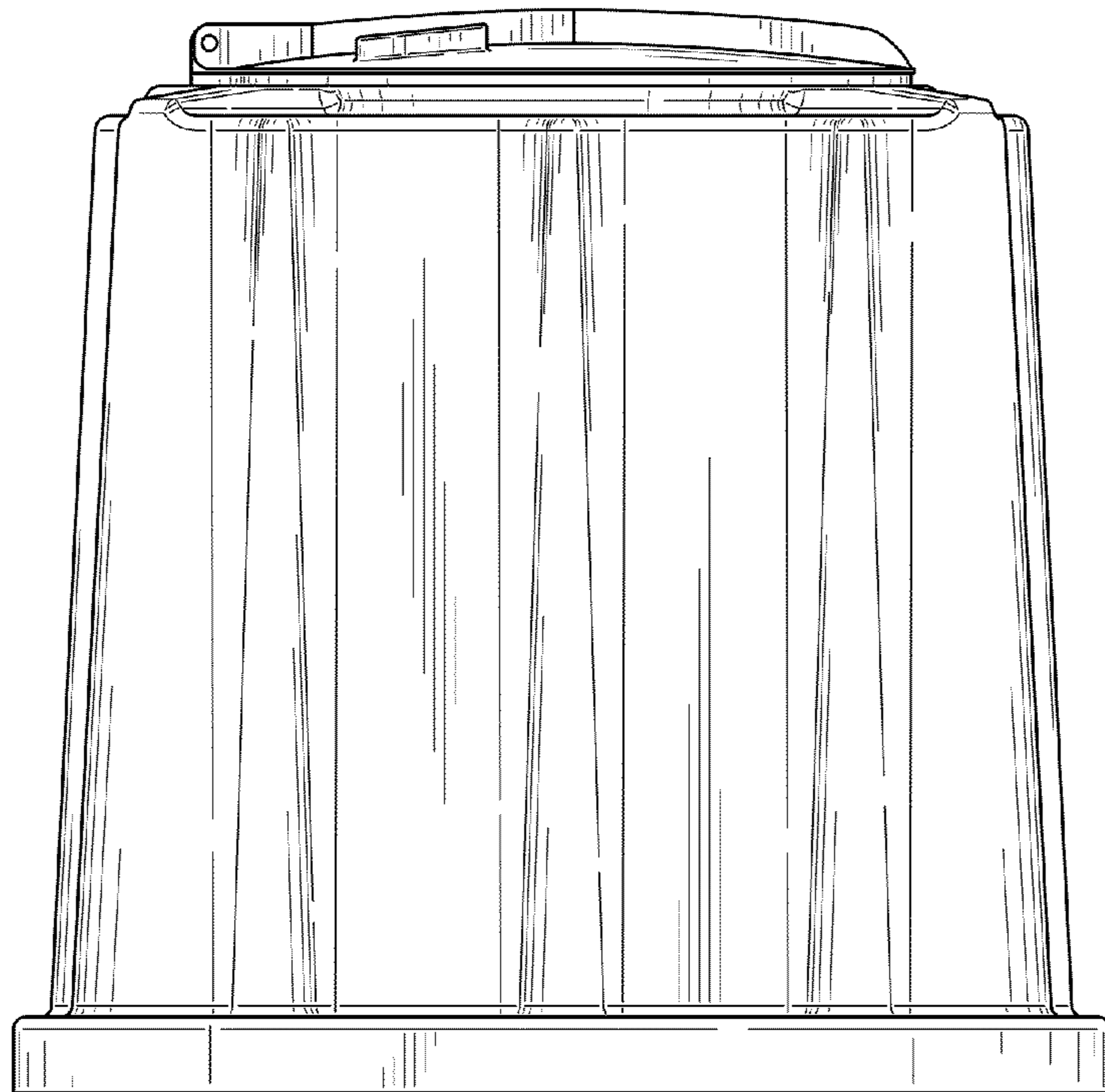


FIG. 4

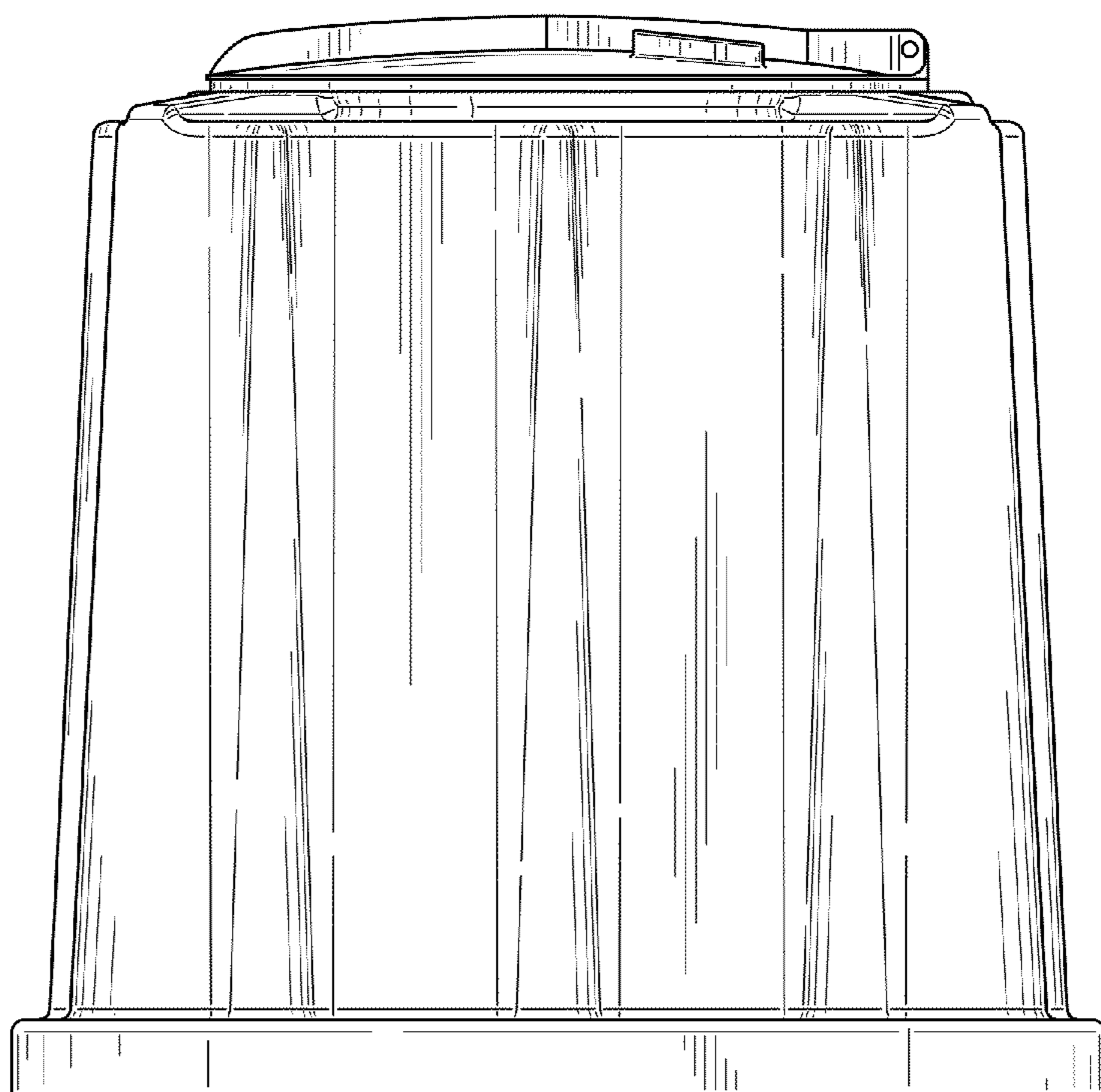


FIG. 5

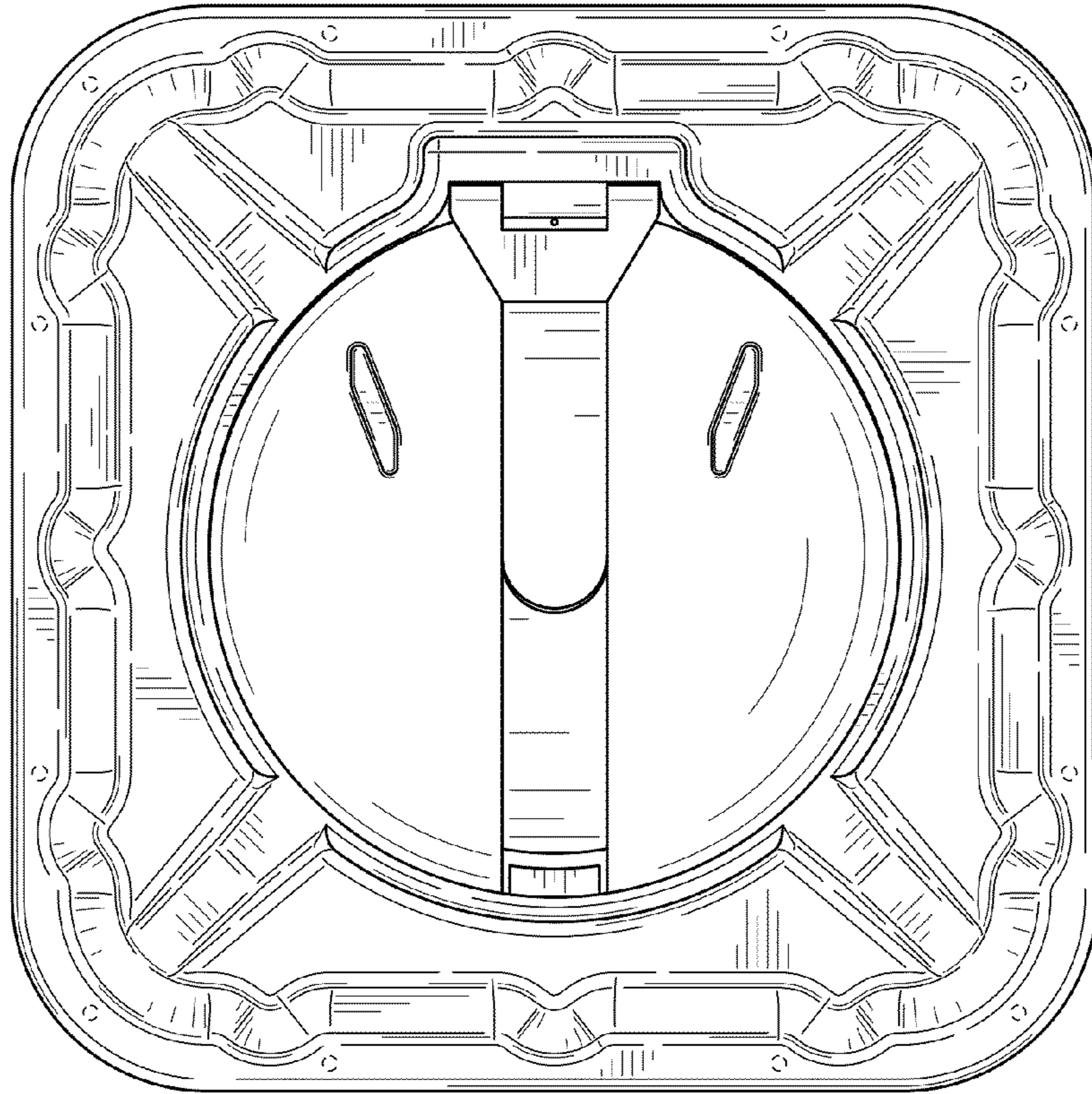


FIG. 6

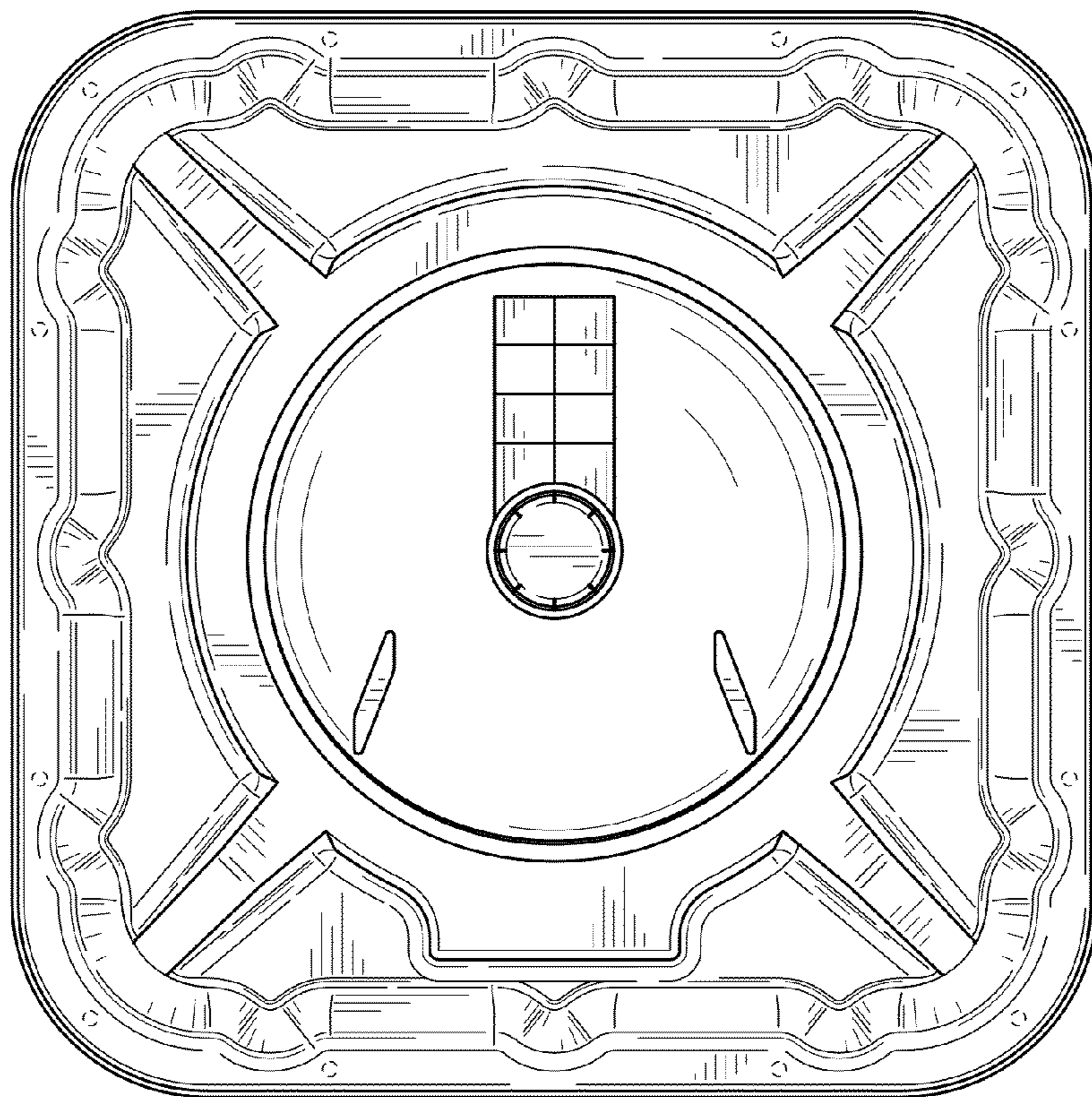


FIG. 7

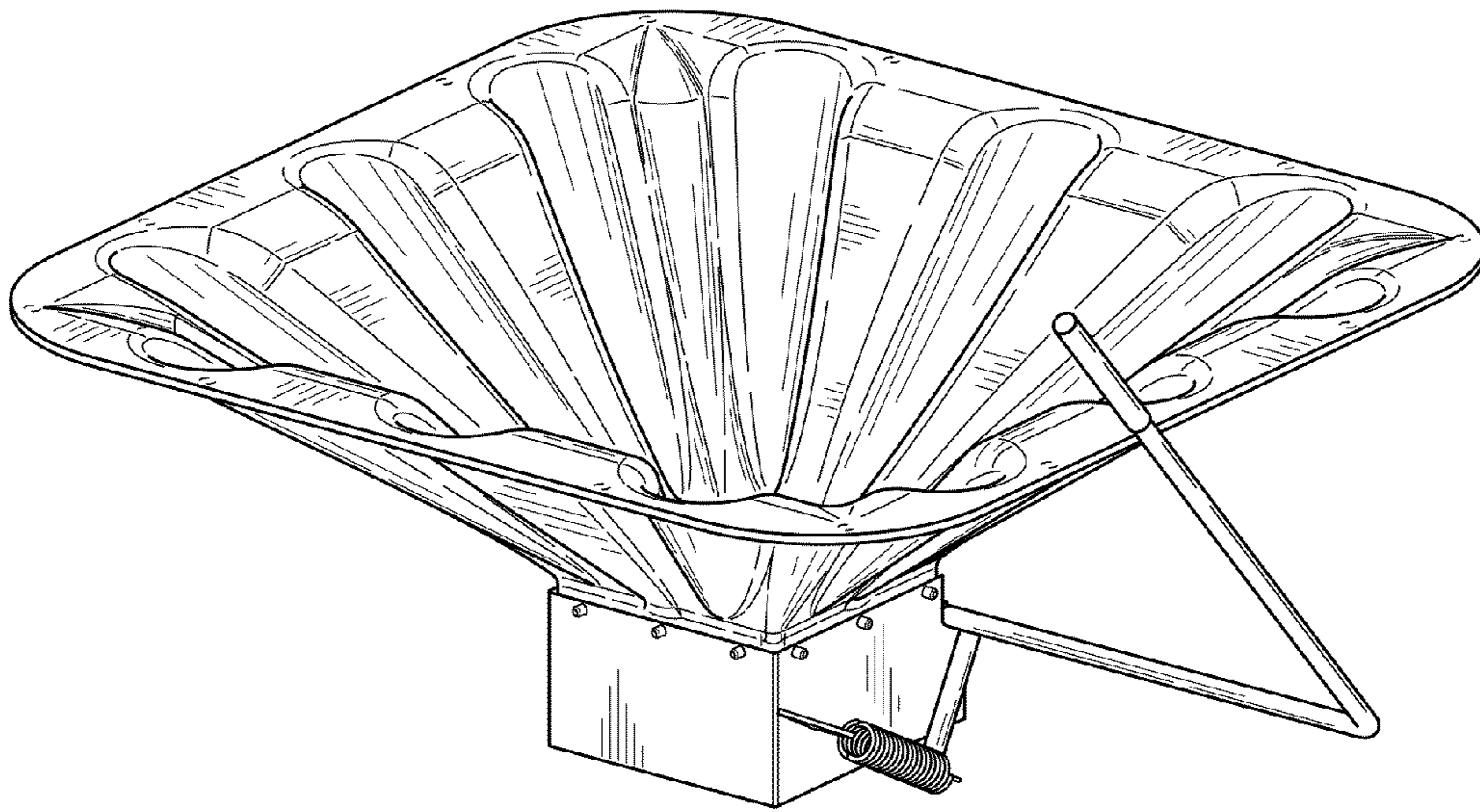


FIG. 8

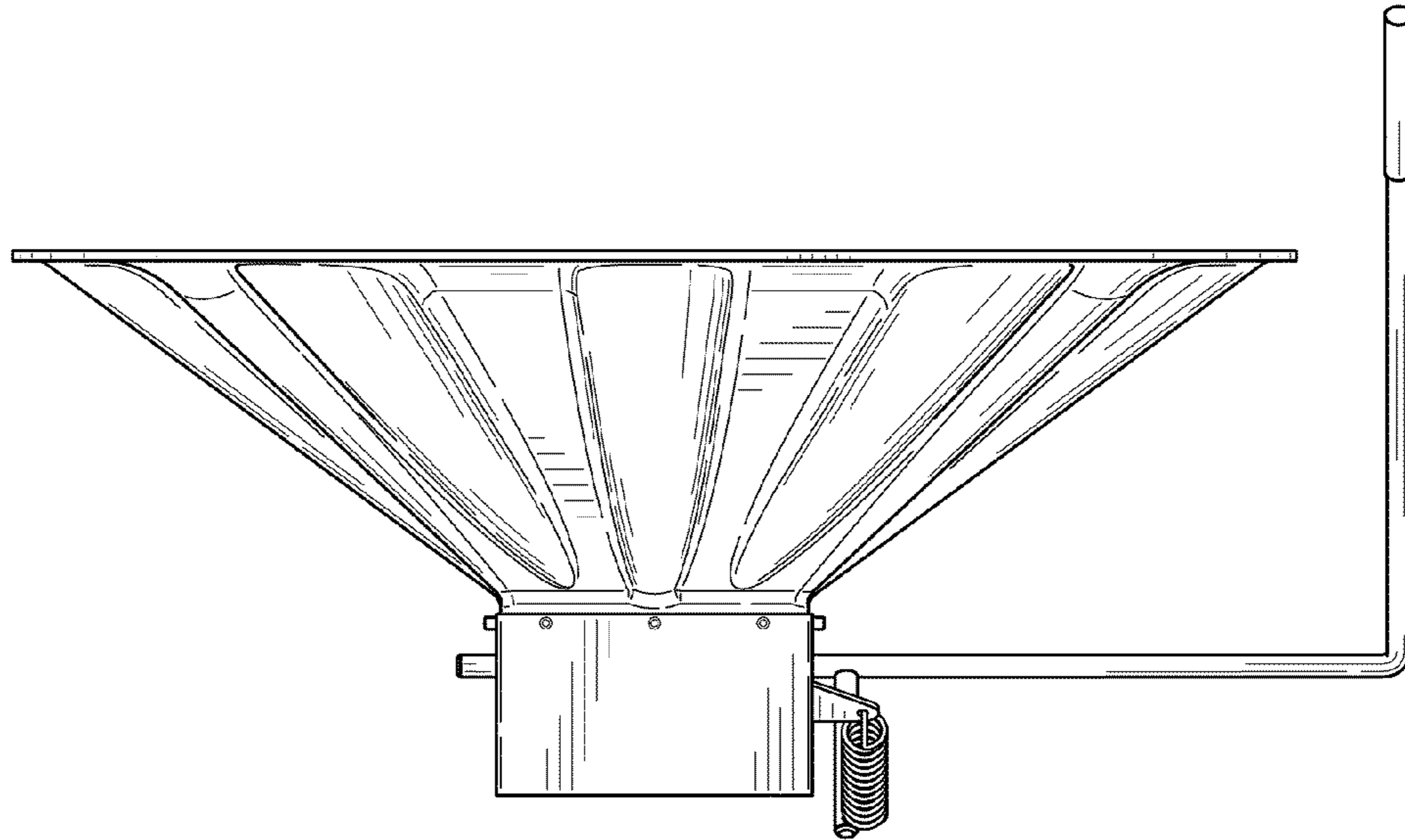


FIG. 9

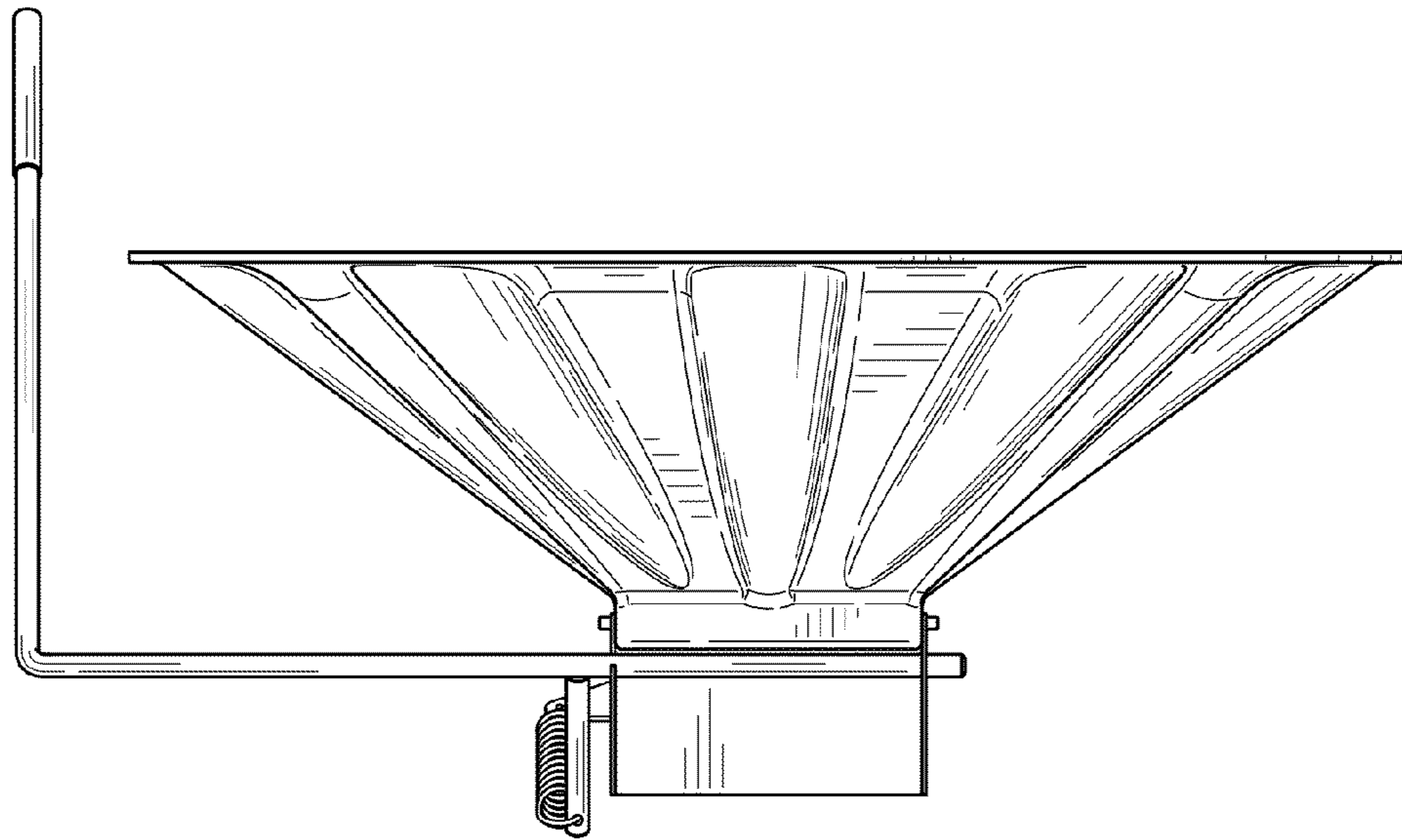


FIG. 10

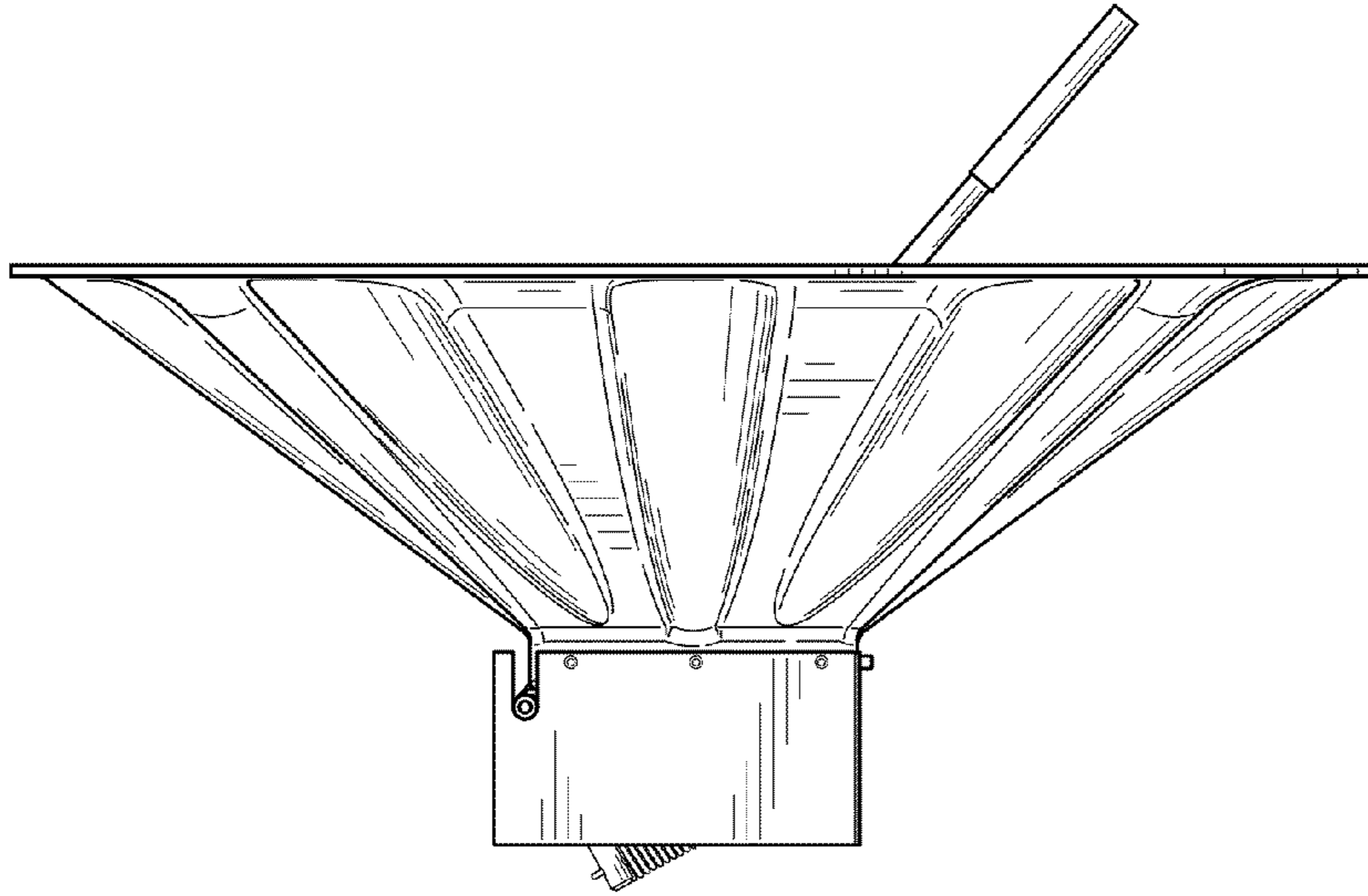


FIG. 11

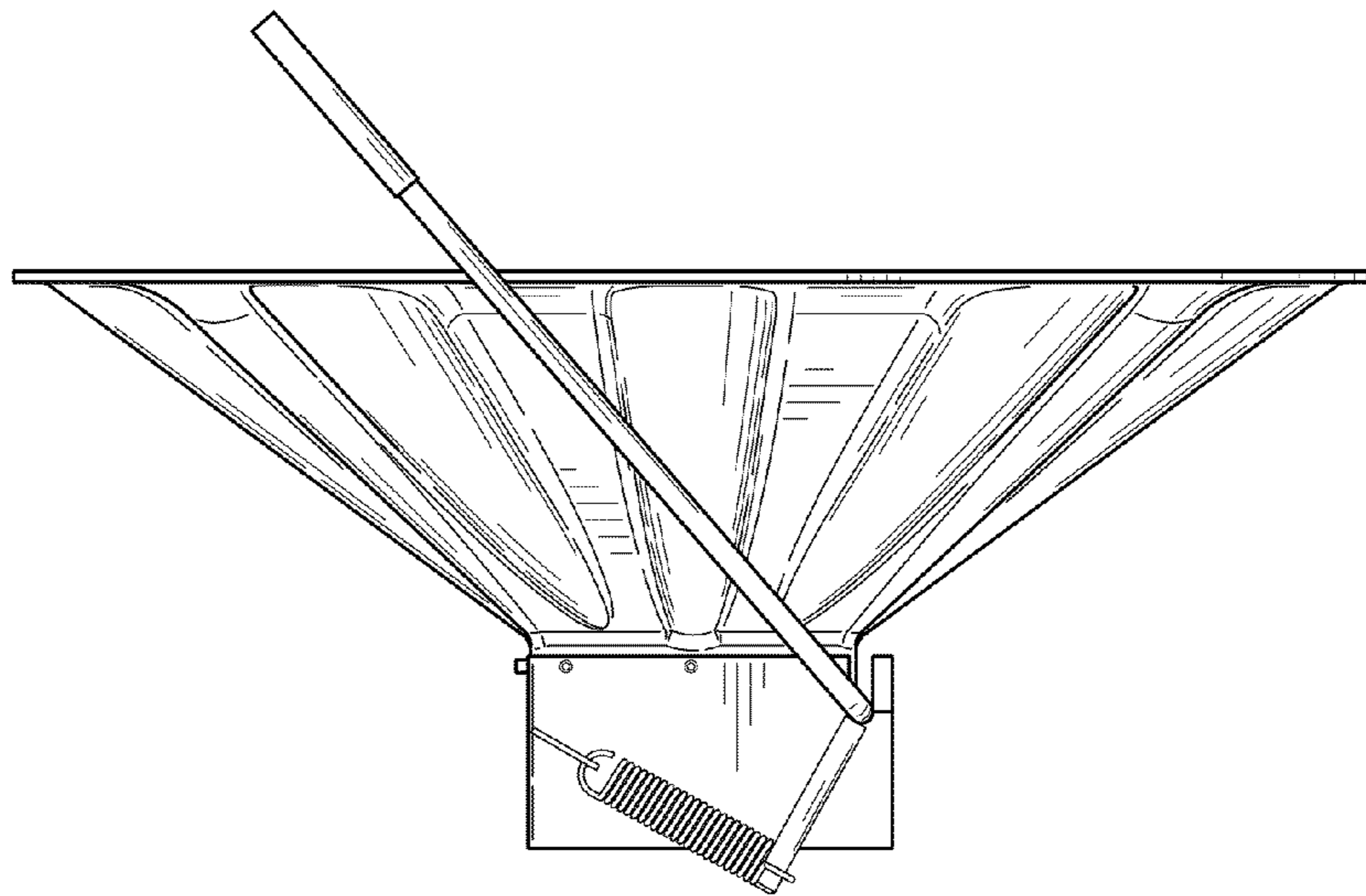


FIG. 12

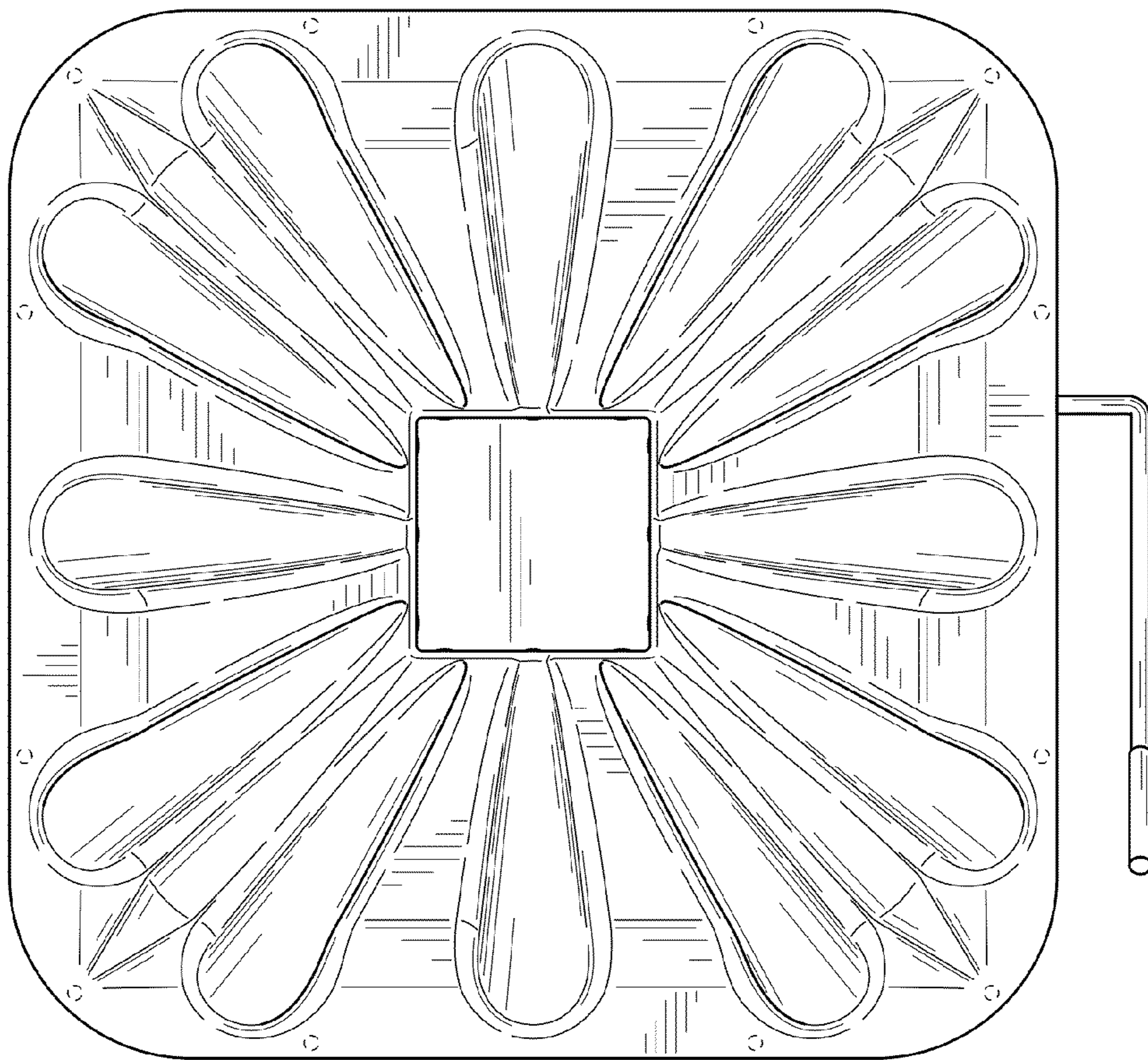


FIG. 13

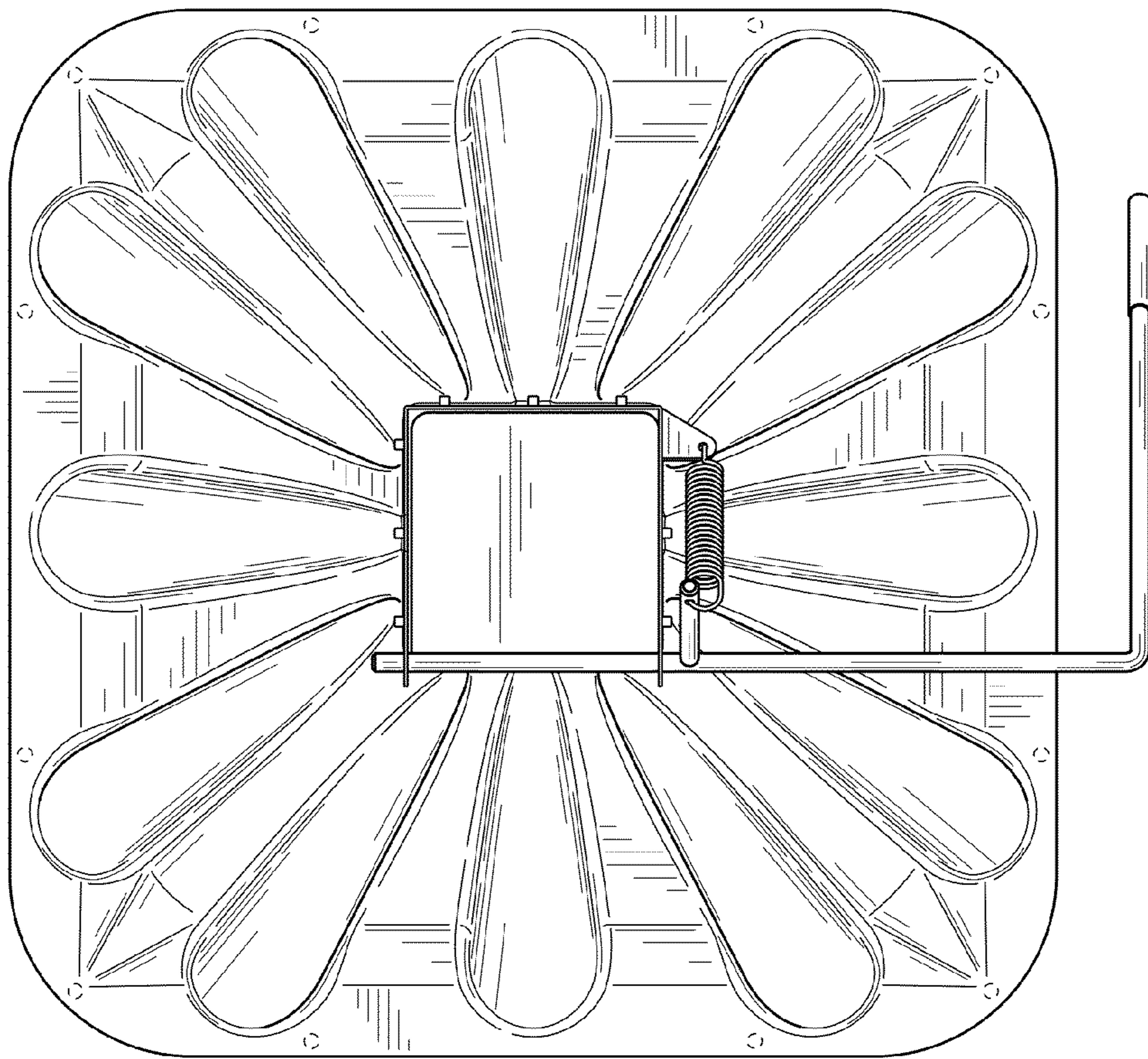


FIG. 14

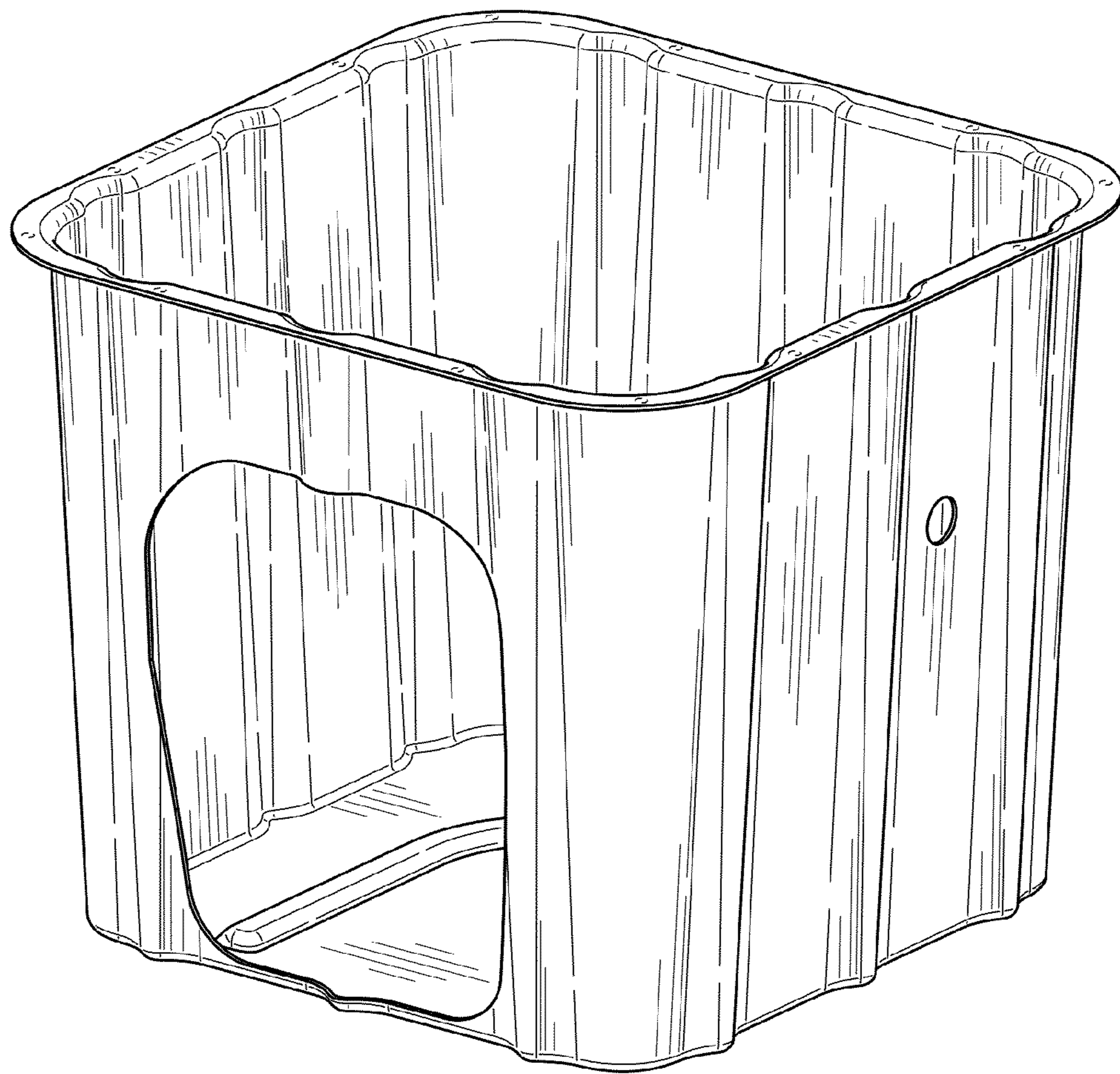


FIG. 15

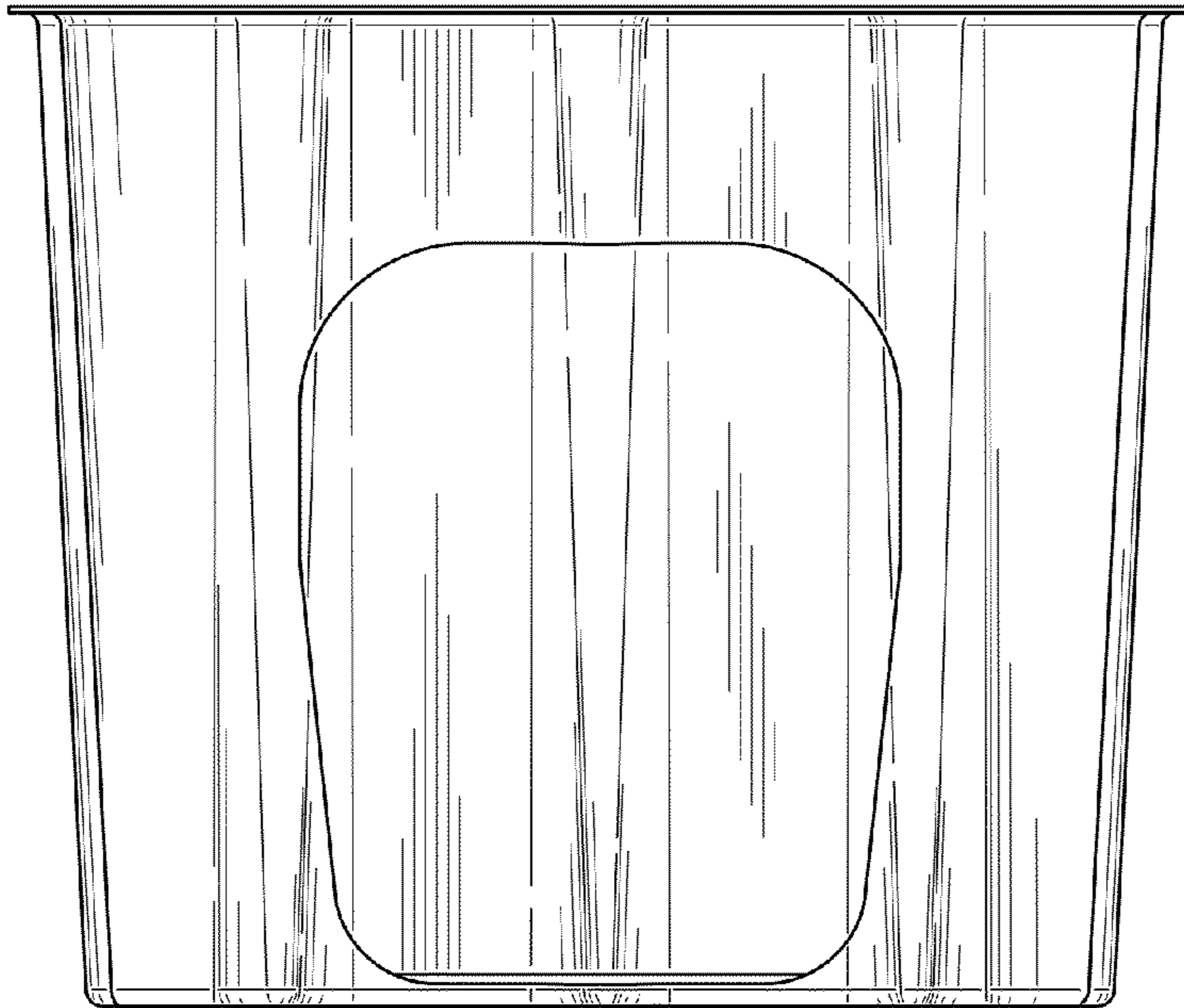


FIG. 16

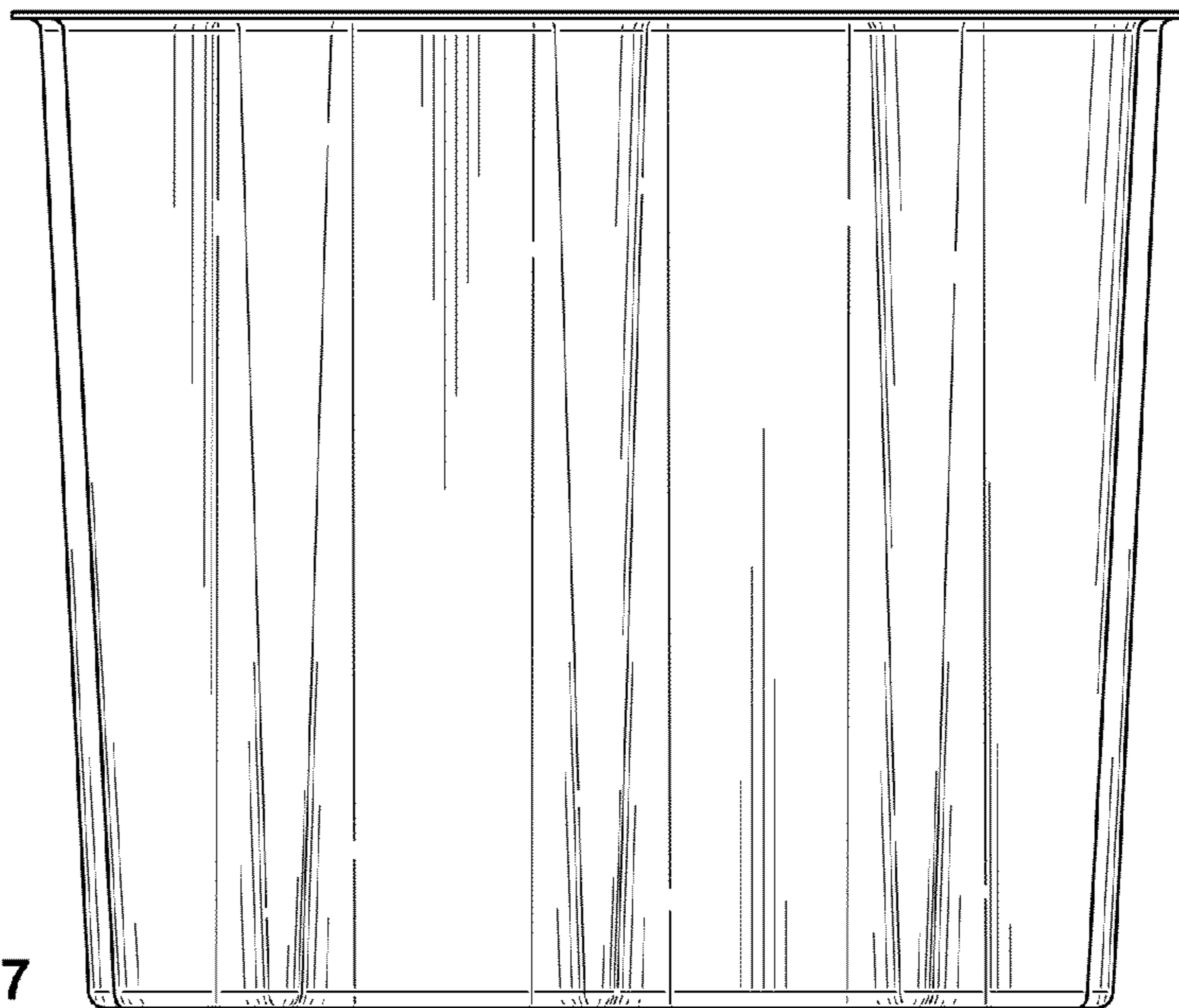


FIG. 17

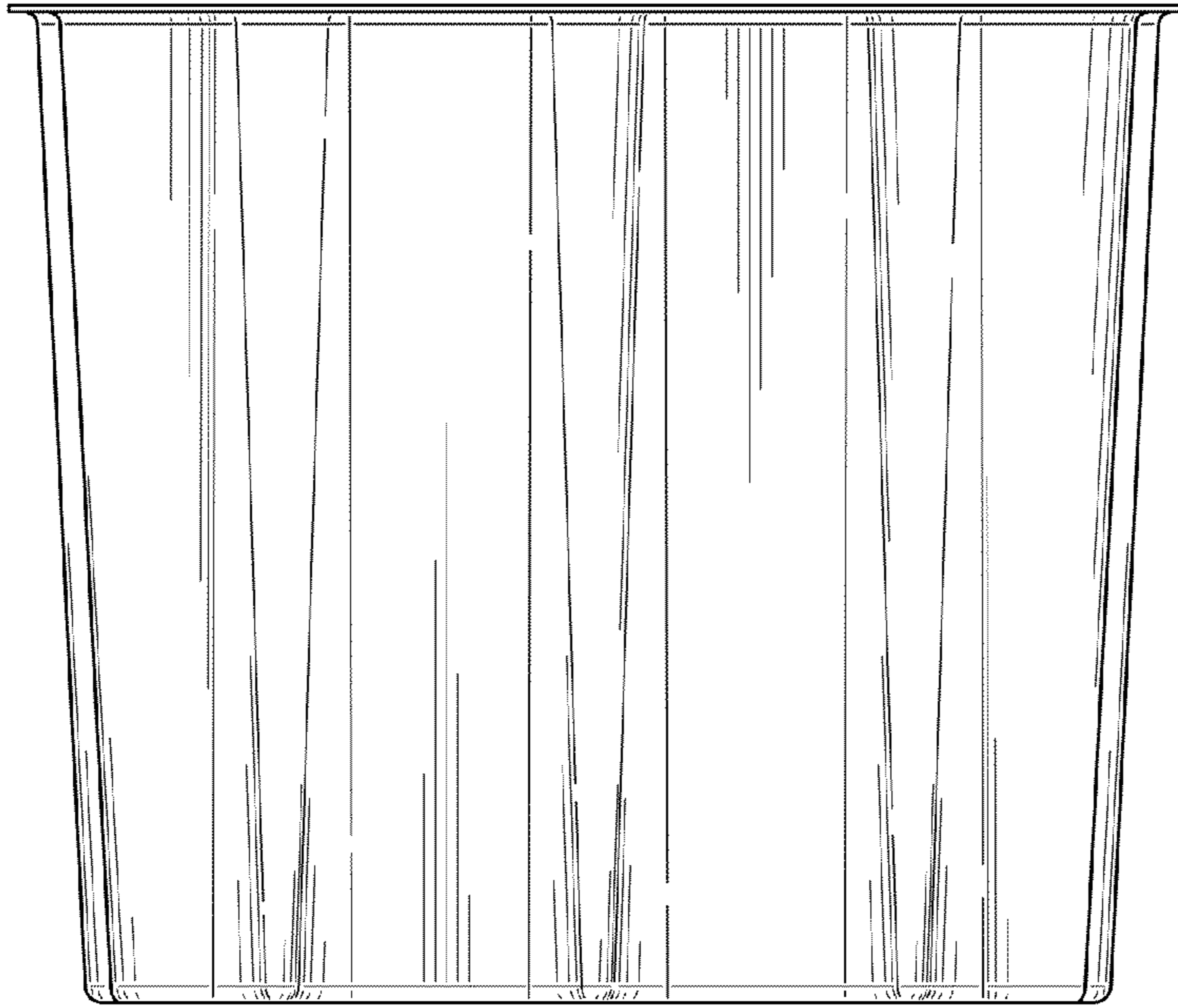


FIG. 18

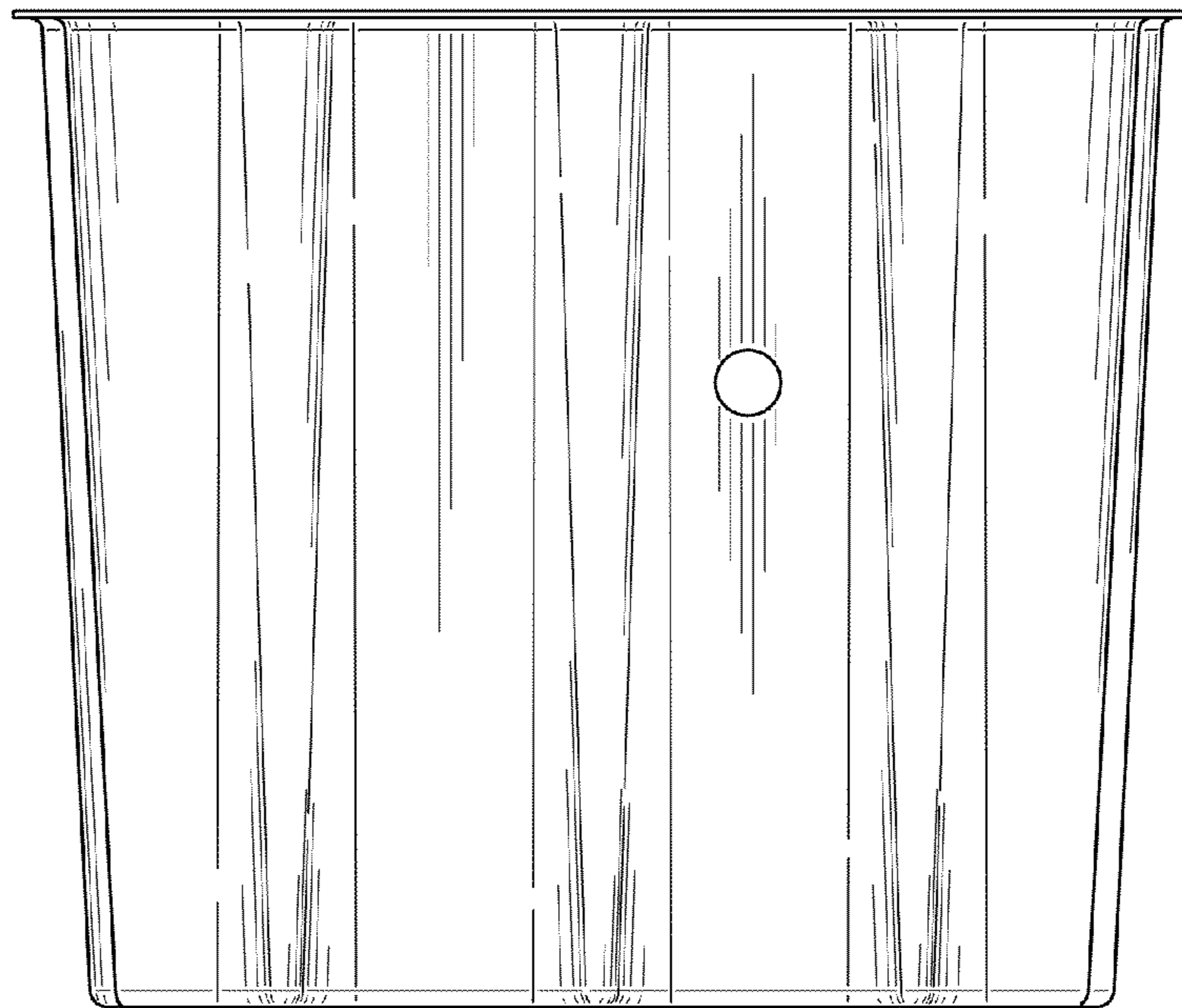


FIG. 19

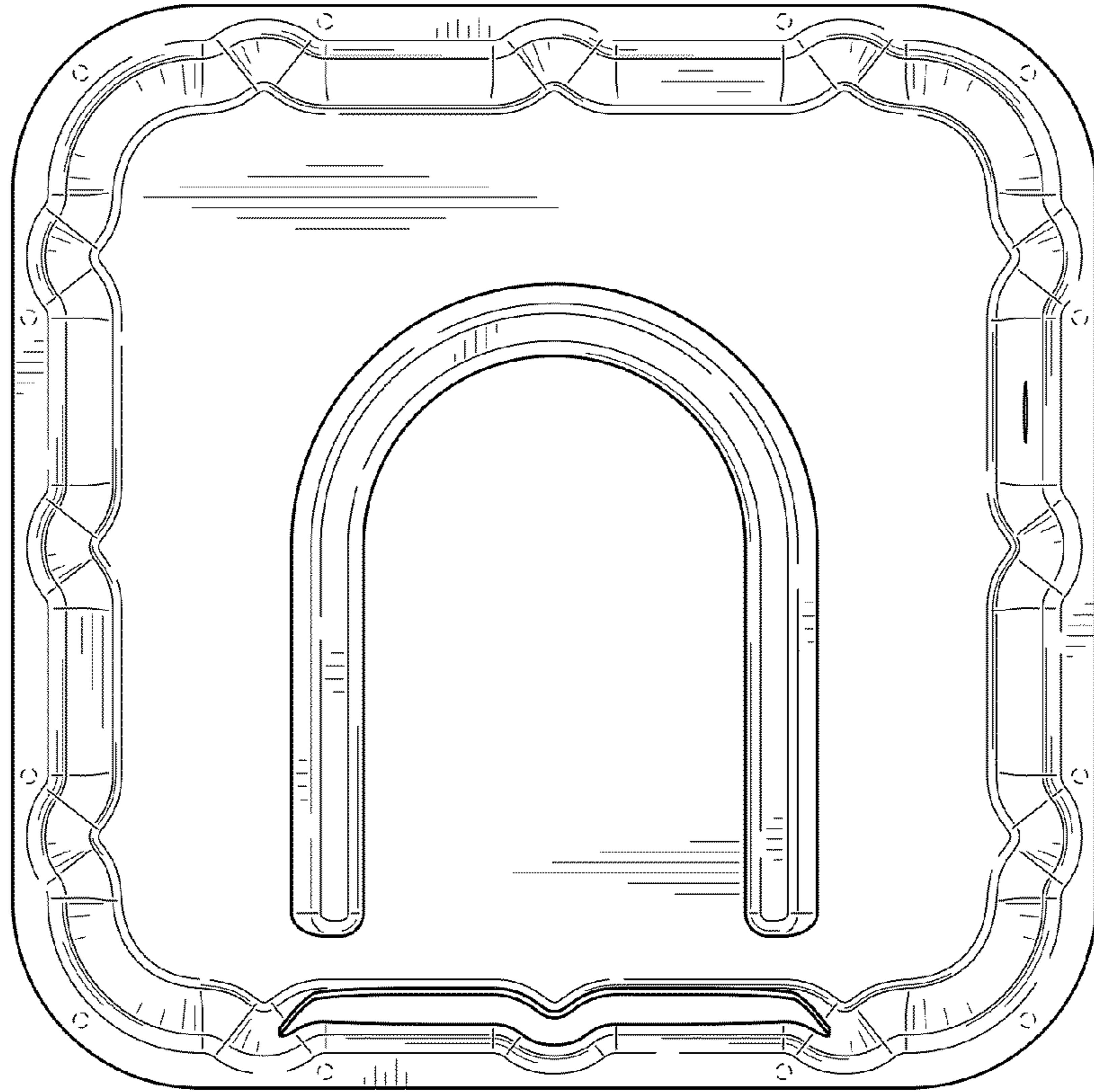


FIG. 20

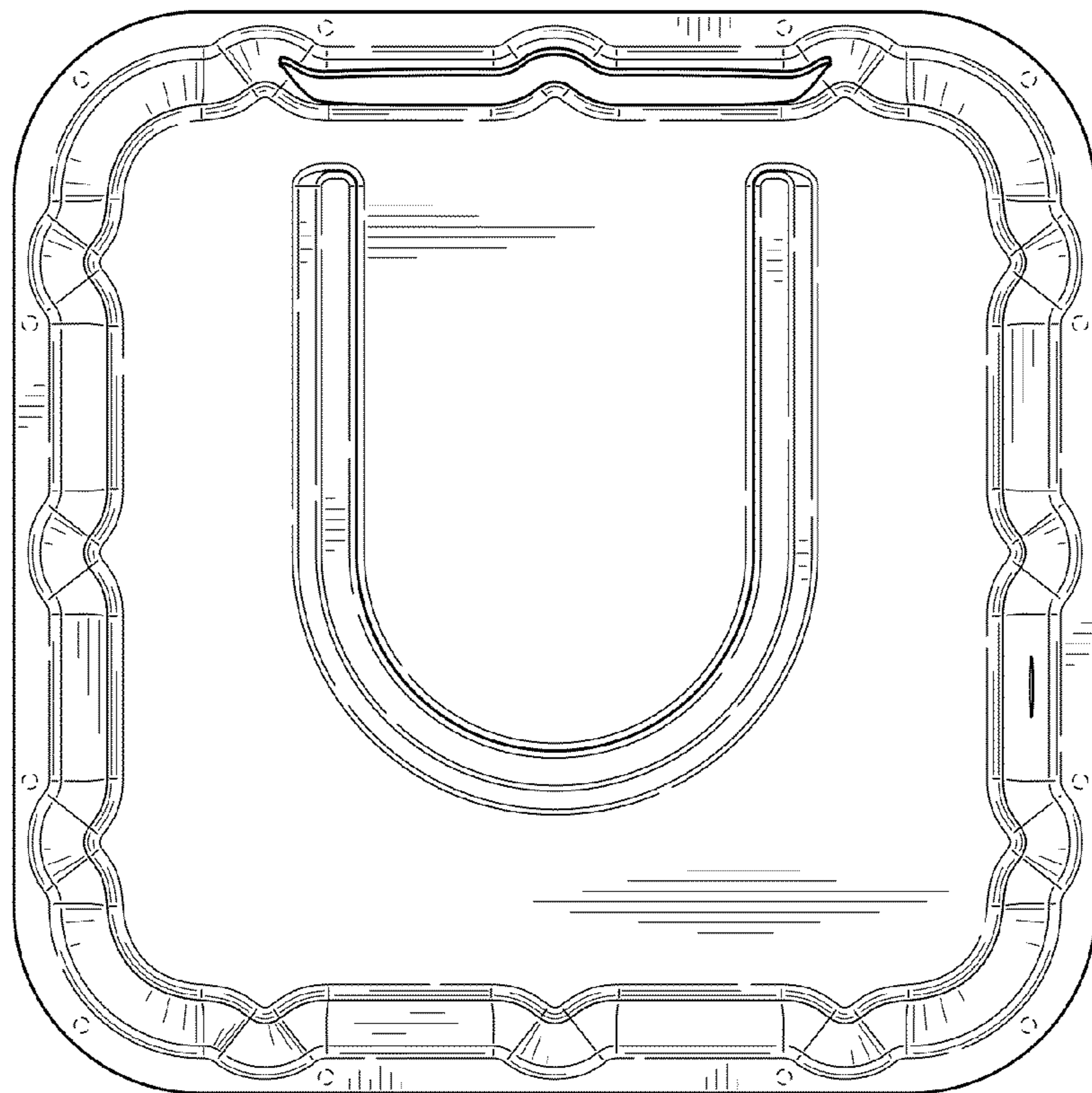


FIG. 21

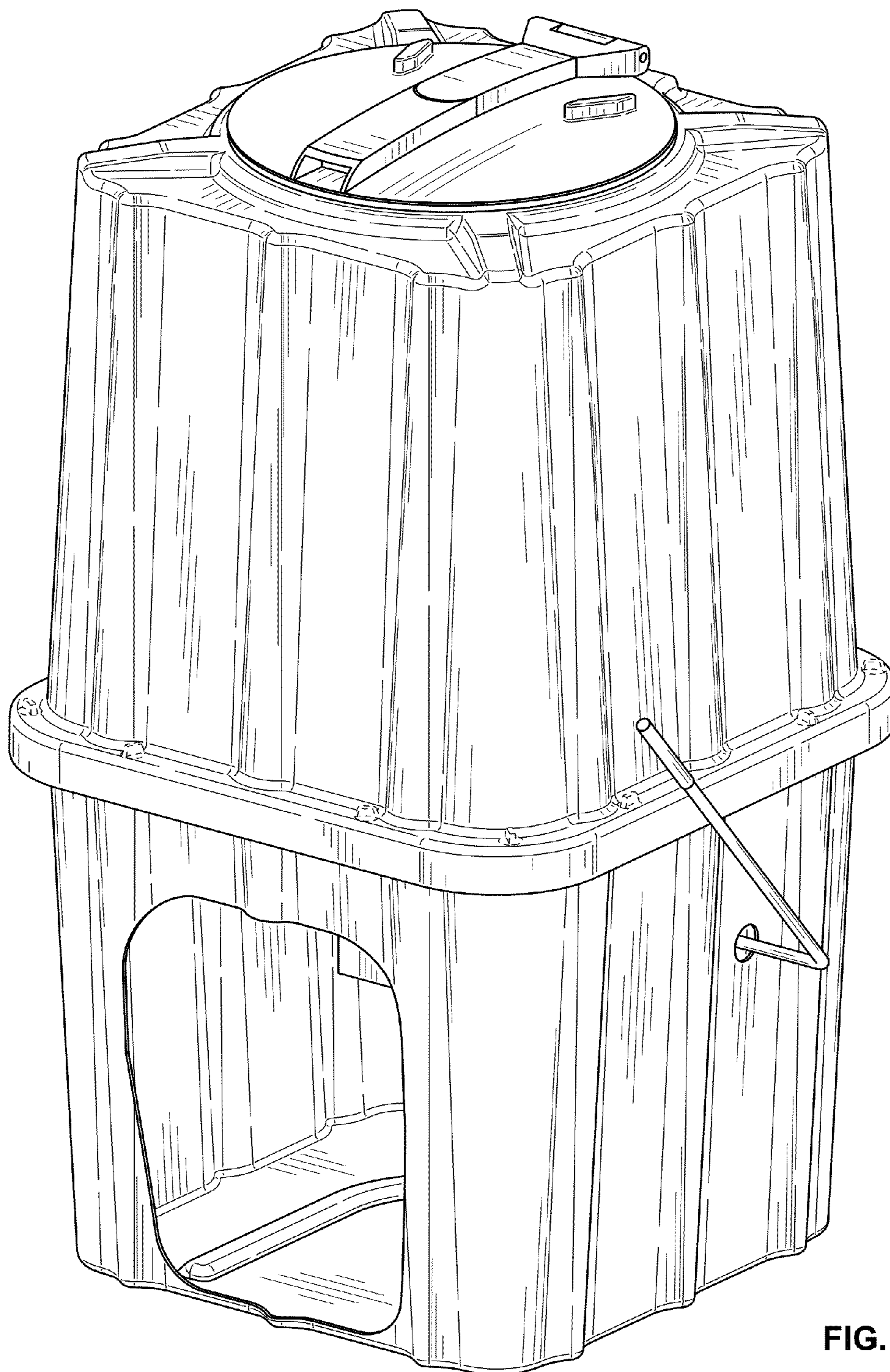


FIG. 22

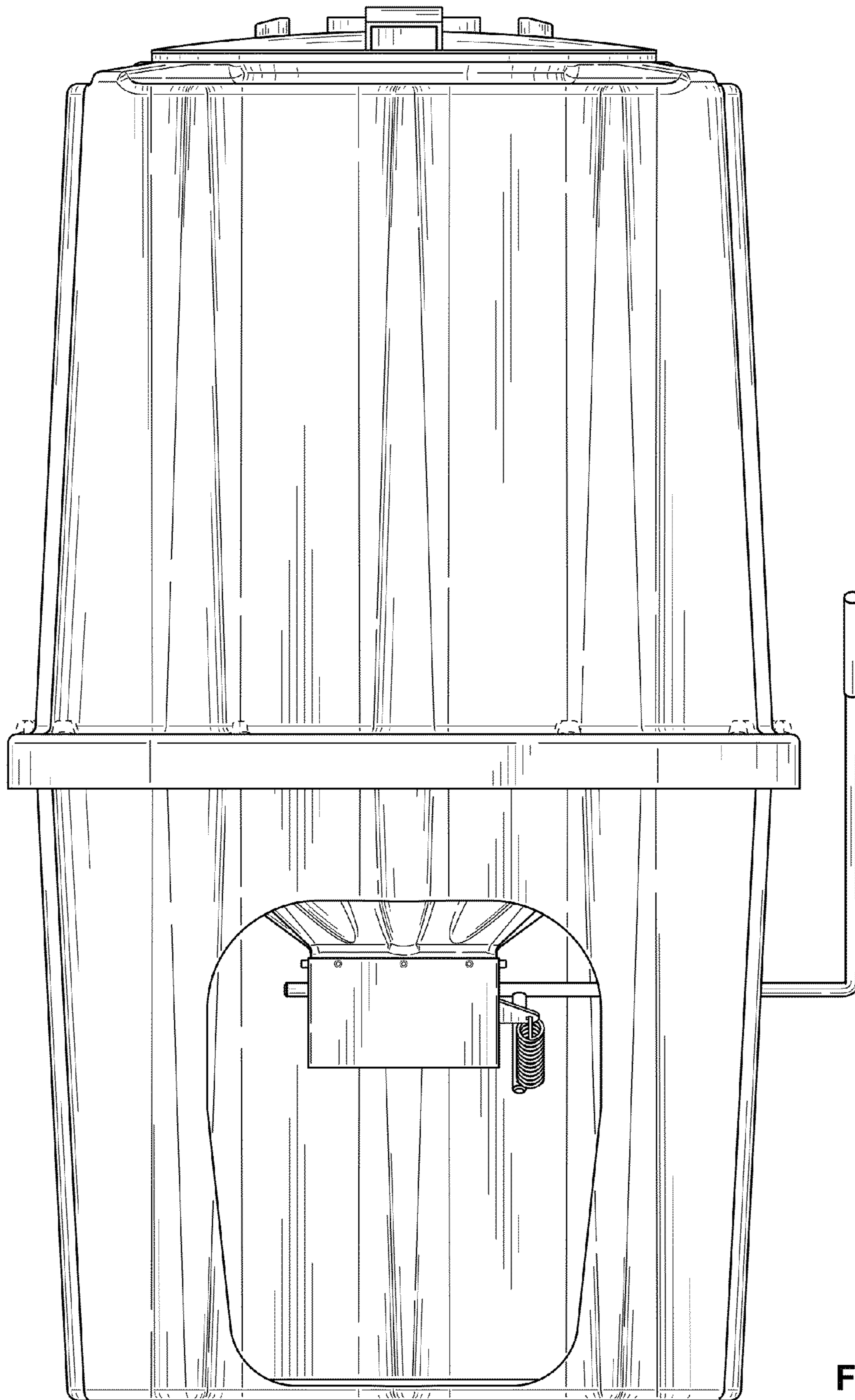


FIG. 23

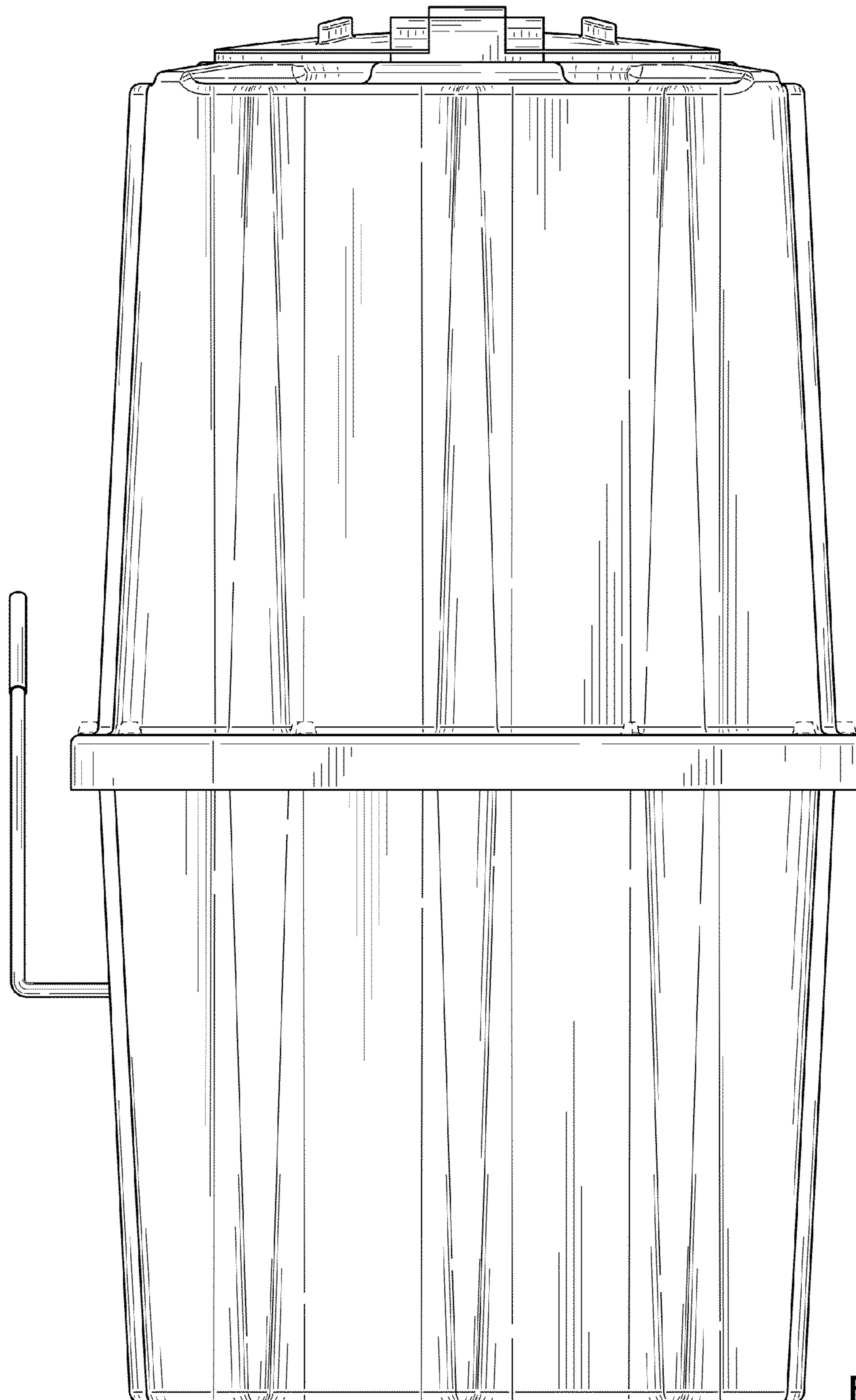


FIG. 24

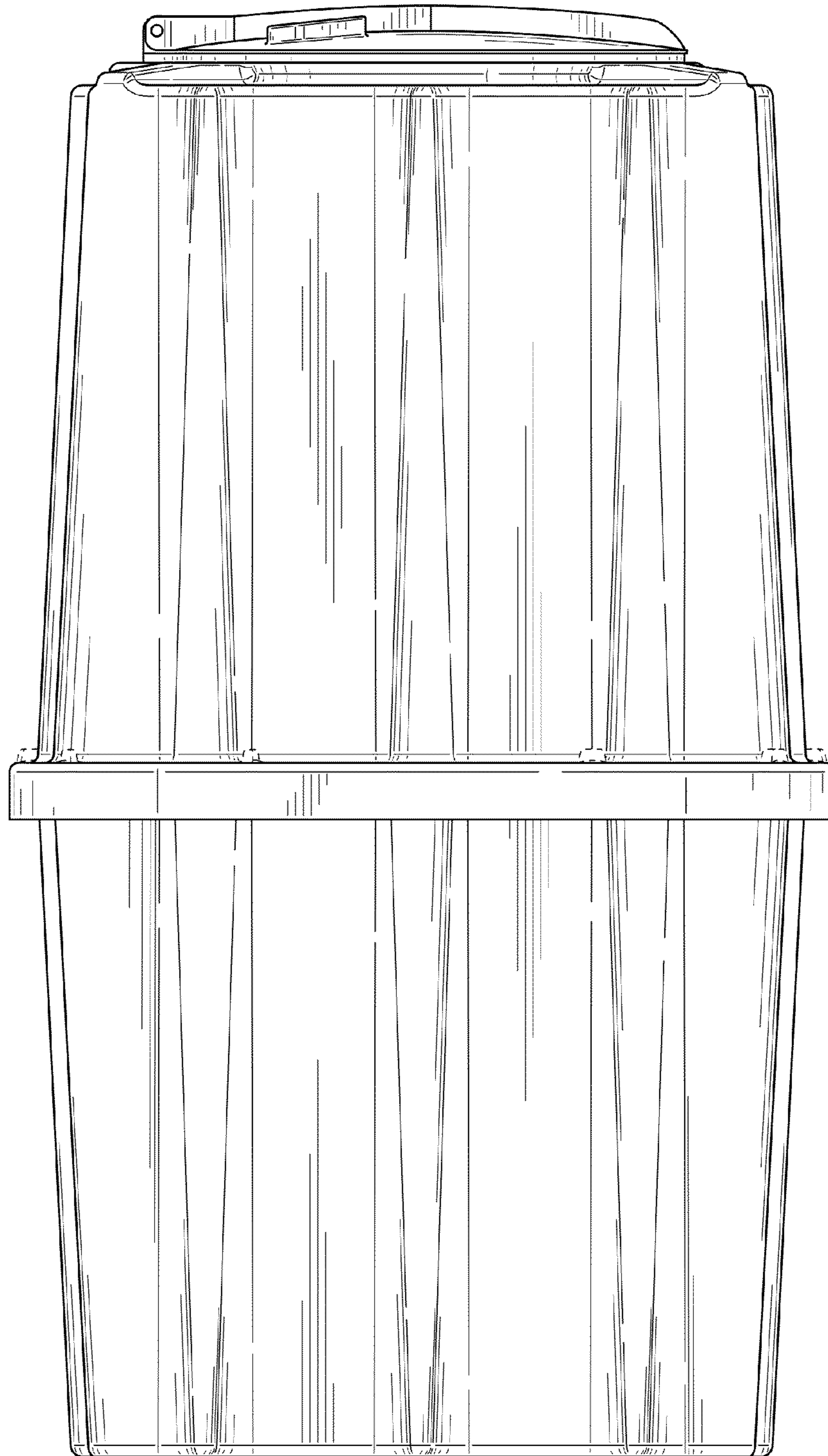


FIG. 25

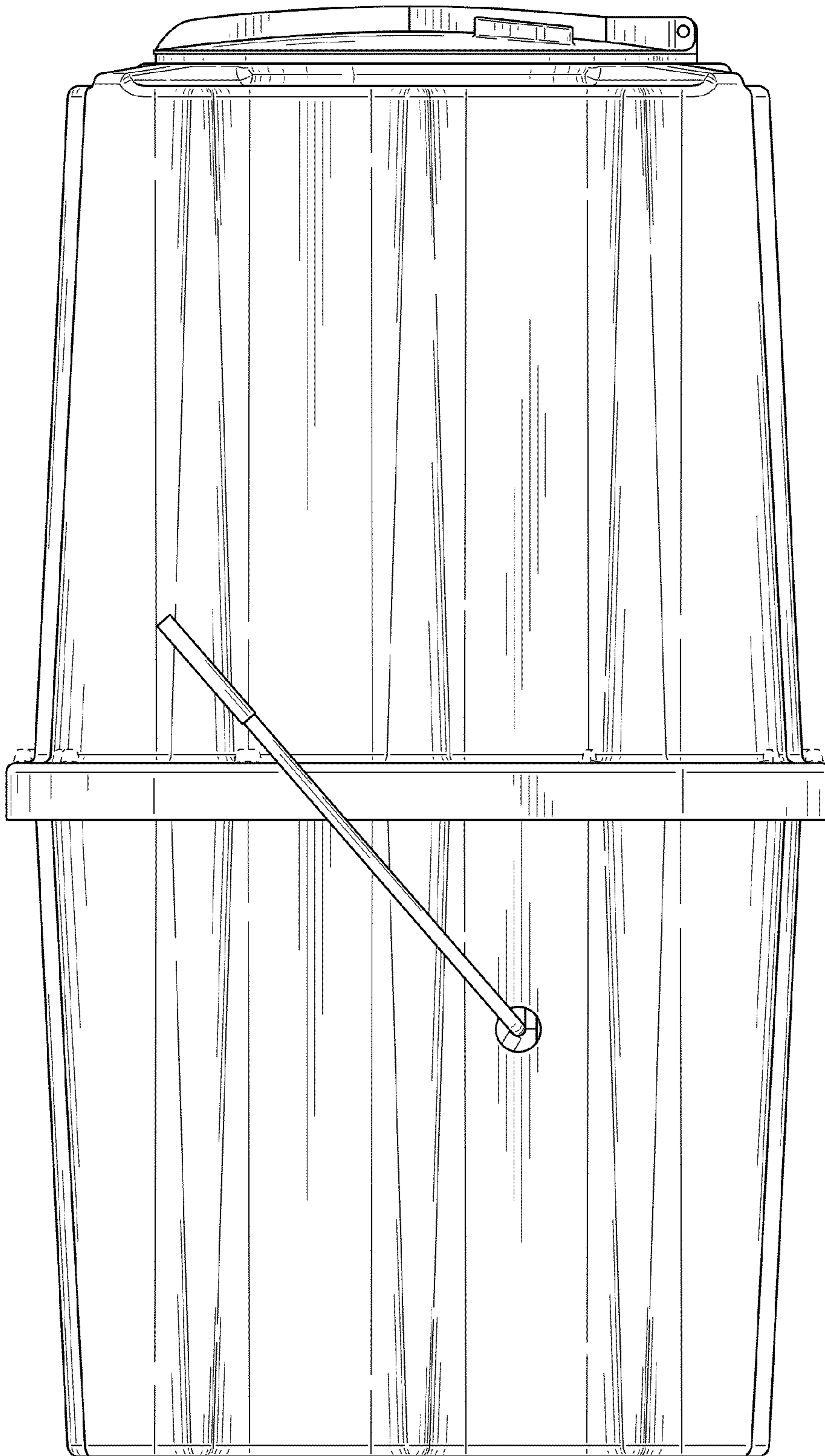


FIG. 26

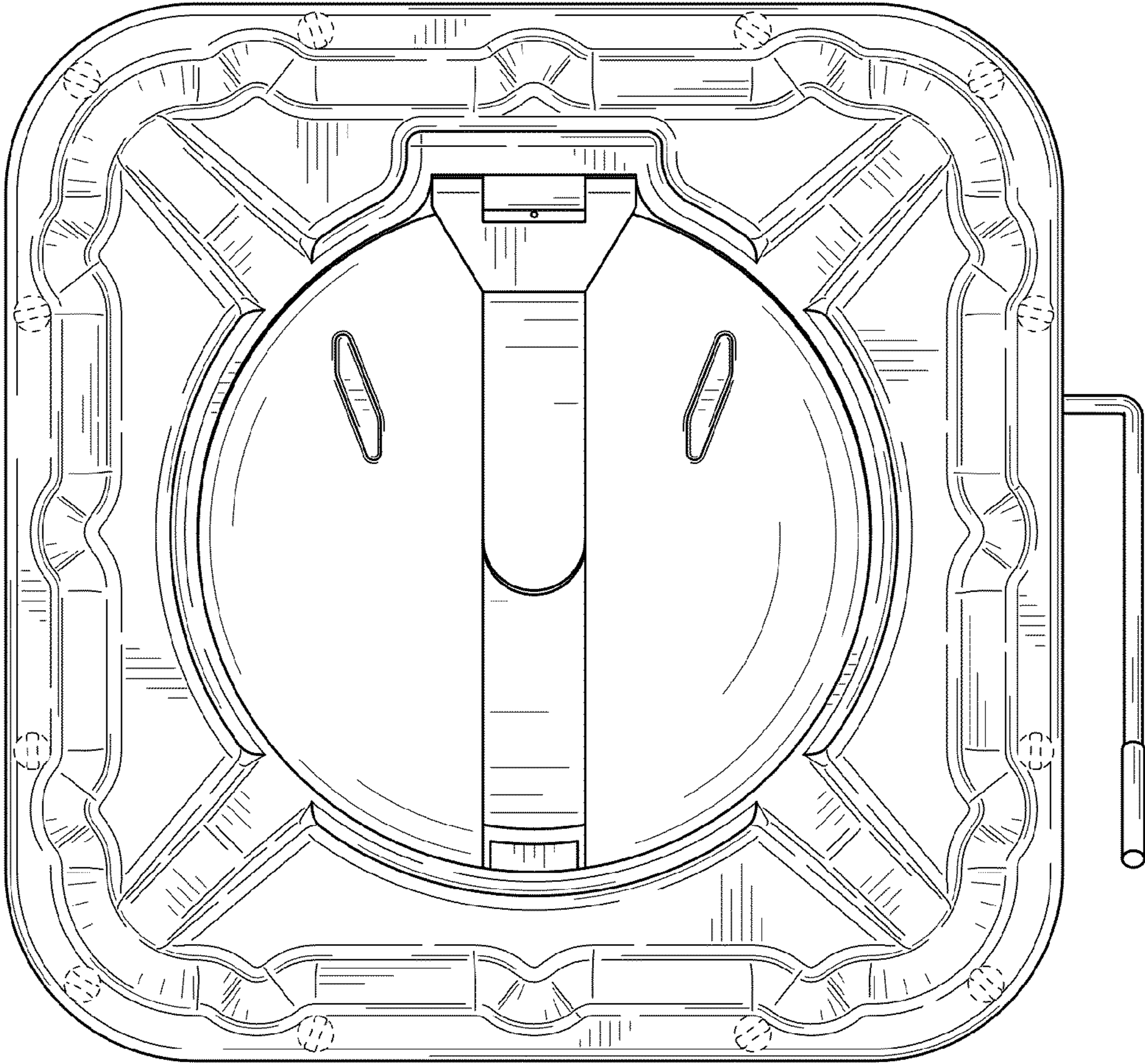


FIG. 27

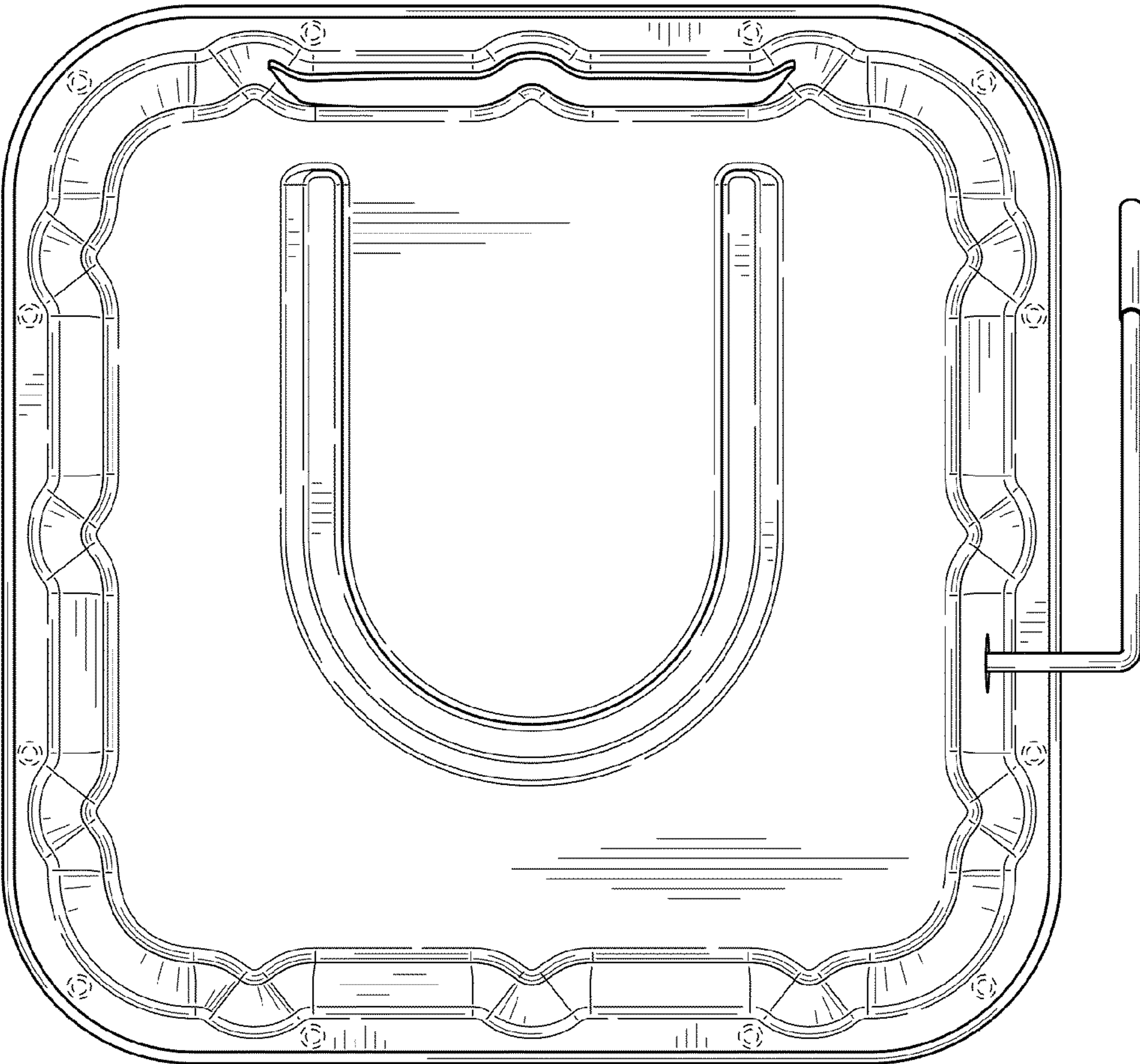


FIG. 28

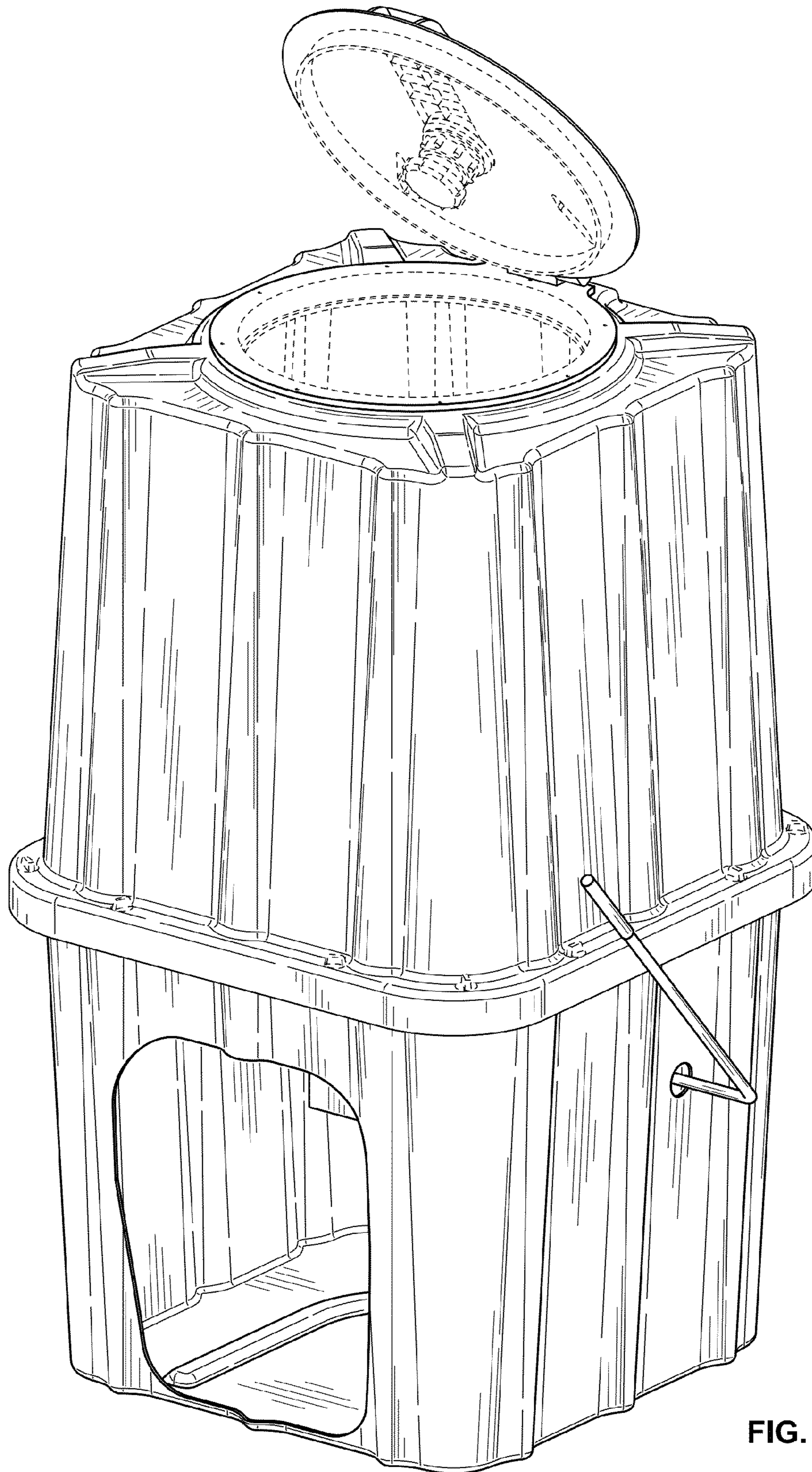


FIG. 29

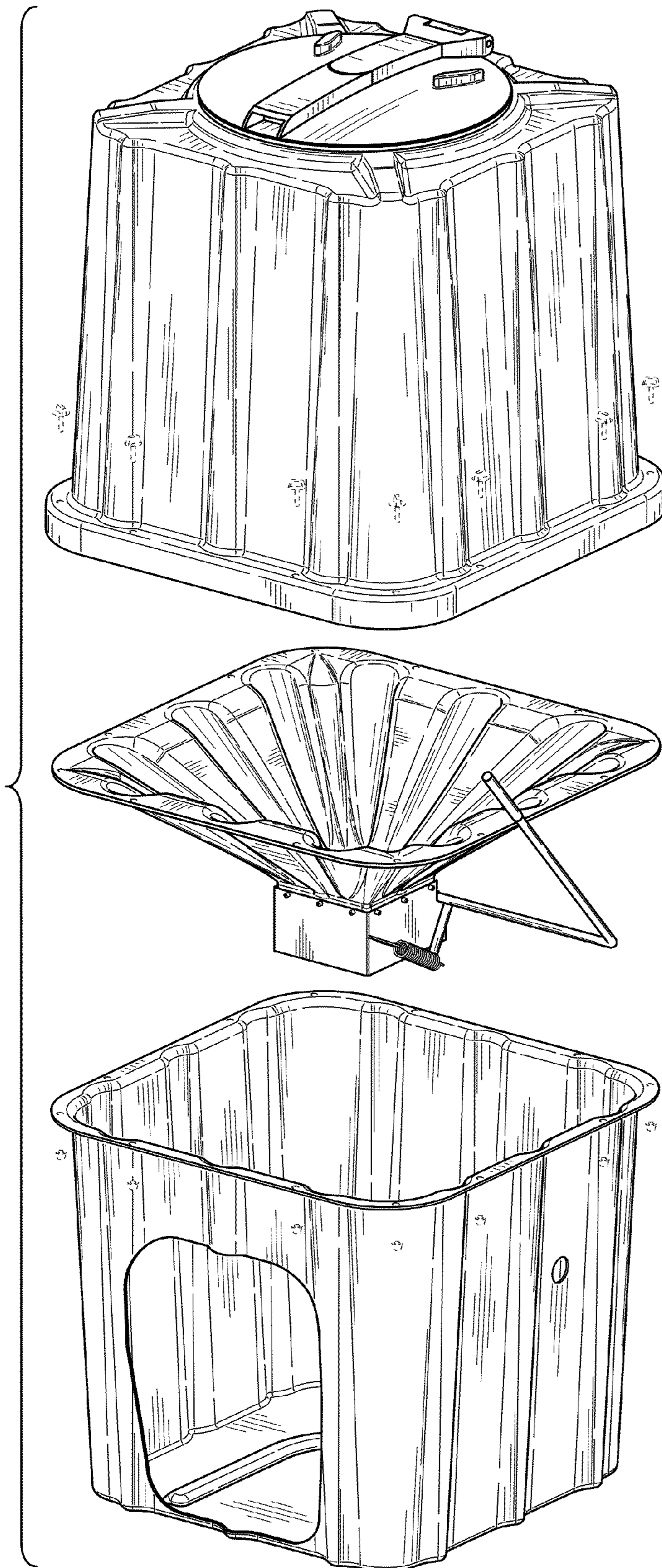


FIG. 30

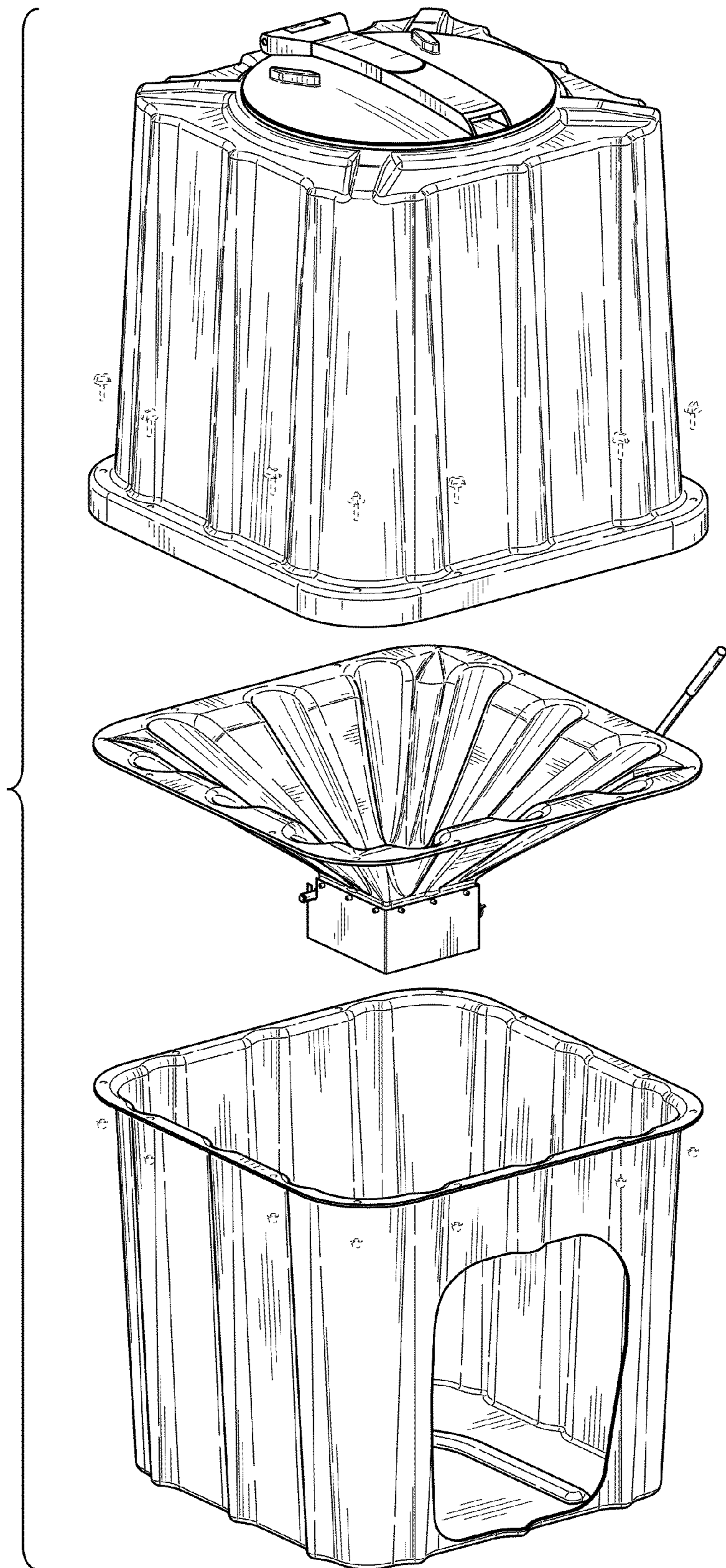


FIG. 31

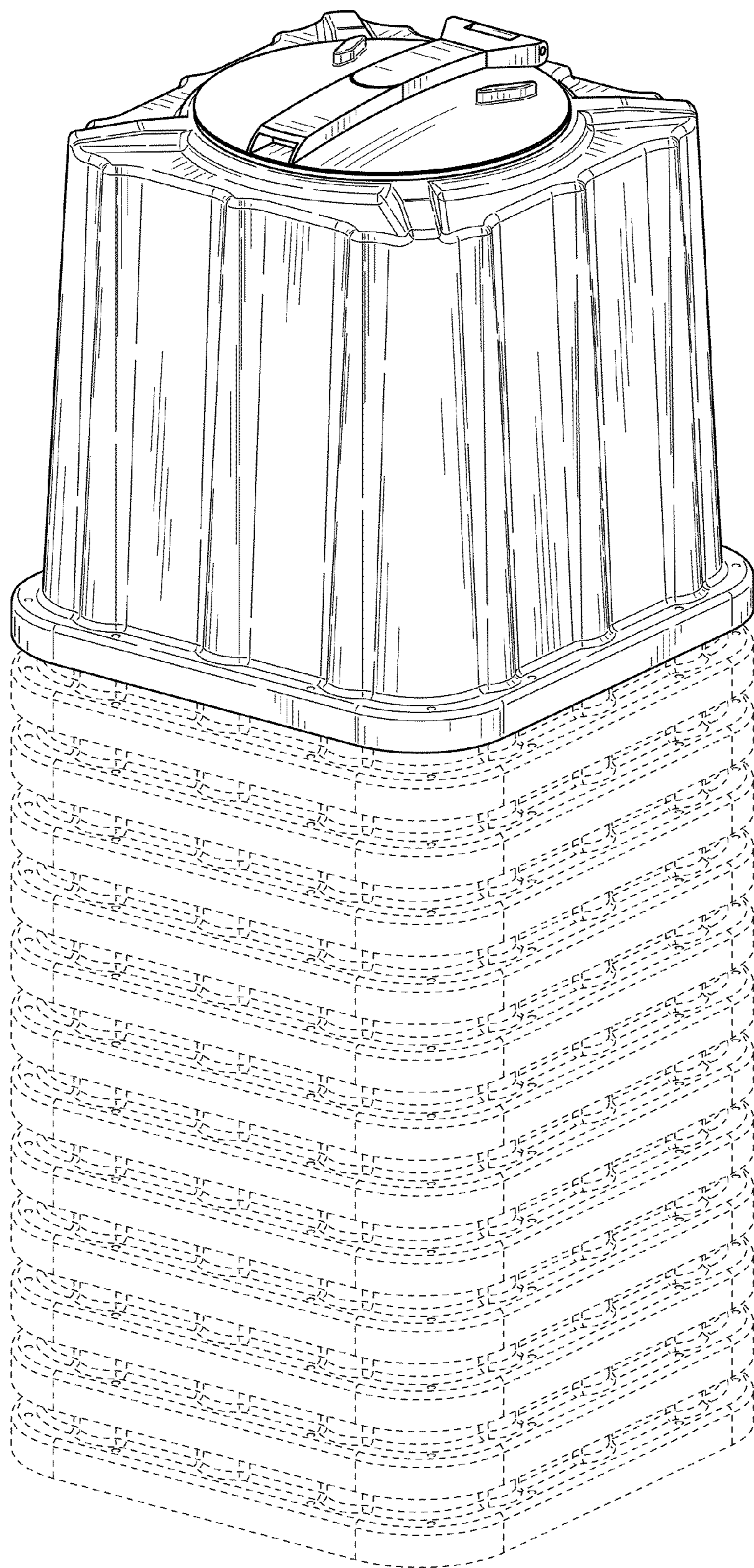


FIG. 32

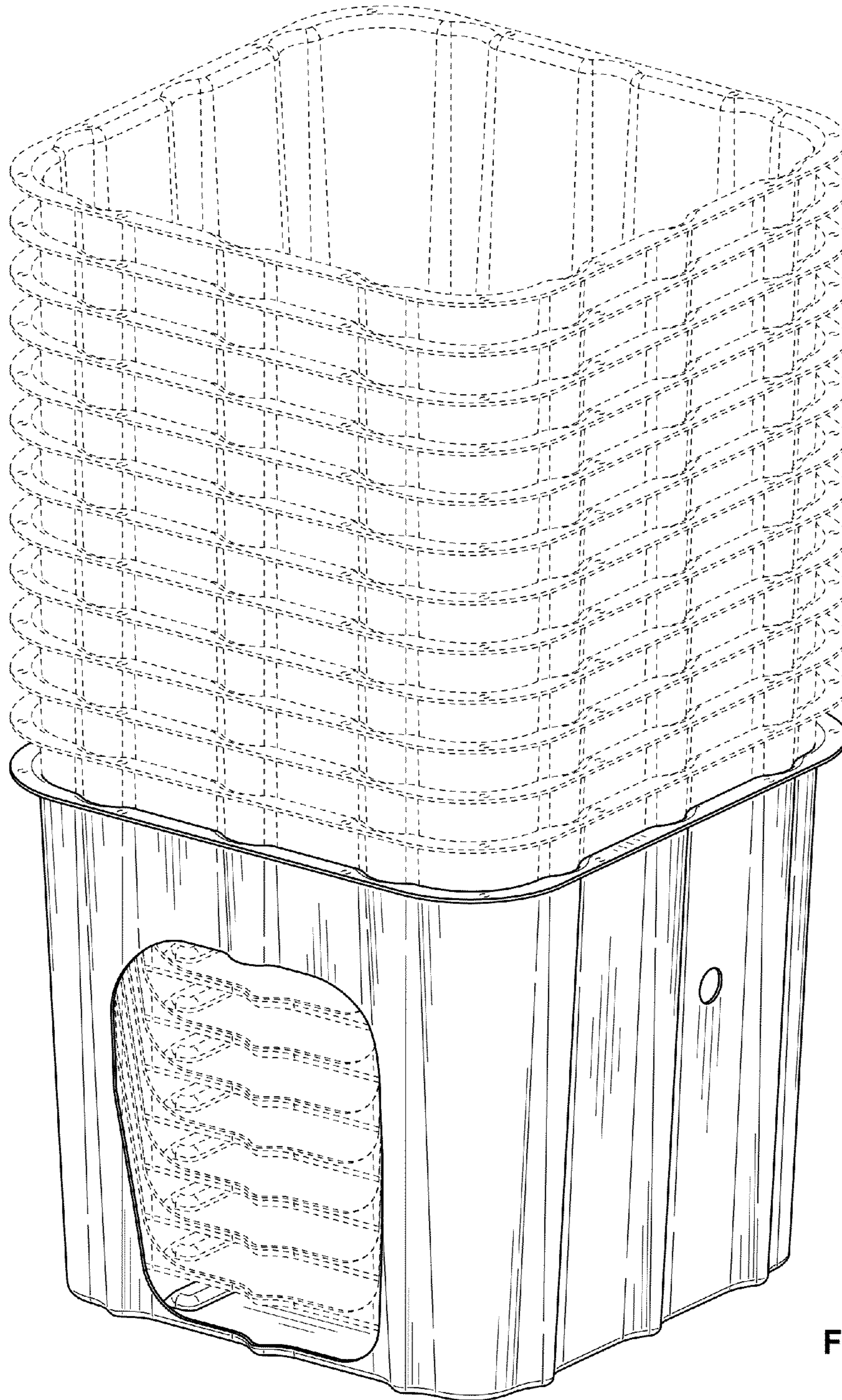


FIG. 33

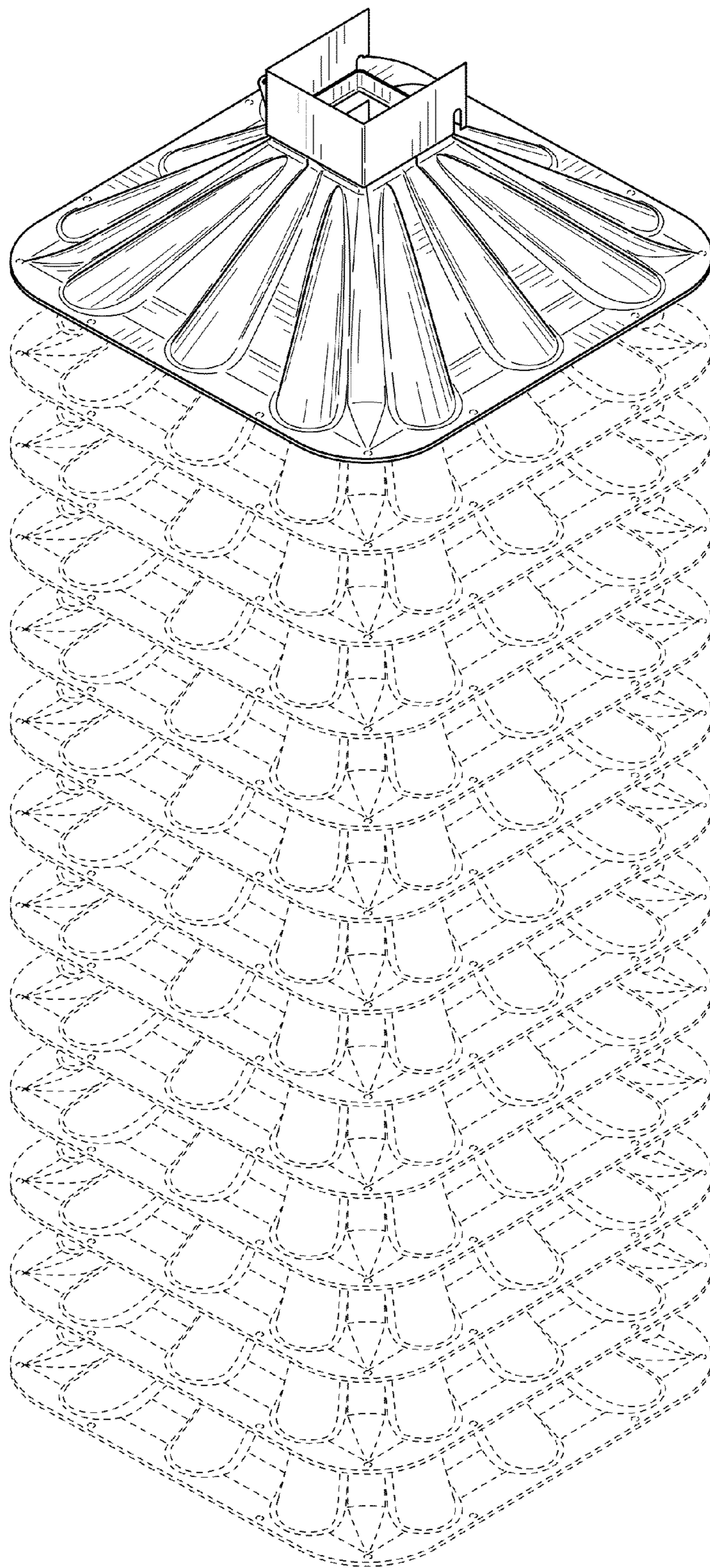


FIG. 34