



US00D715994S

(12) **United States Design Patent**
Klus

(10) **Patent No.:** **US D715,994 S**

(45) **Date of Patent:** **** Oct. 21, 2014**

(54) **HOUSING FOR LED-BASED LIGHTING APPARATUS**

(71) Applicant: **Sylwester Klus**, Kamionka (PL)

(72) Inventor: **Sylwester Klus**, Kamionka (PL)

(**) Term: **14 Years**

(21) Appl. No.: **29/462,111**

(22) Filed: **Jul. 31, 2013**

(51) **LOC (10) Cl.** **26-99**

(52) **U.S. Cl.**
USPC **D26/141**

(58) **Field of Classification Search**
USPC D26/24, 26, 39, 42, 67, 68, 72, 74, 75,
D26/79, 85, 88, 89, 91, 96, 108, 109, 113,
D26/118, 120, 122, 129, 138, 140, 141,
D26/142; D13/179, 180; D25/60, 119, 122,
D25/124, 125; 362/23.07, 23.09, 23.16,
362/145, 217.01, 217.02, 255, 257, 270,
362/277, 317, 362, 555, 611, 612, 614, 800
See application file for complete search history.

(56) **References Cited**

U.S. PATENT DOCUMENTS

1,941,079	A *	12/1933	Exelmans	D26/118
D193,022	S *	6/1962	Zurawski	D26/76
3,302,350	A *	2/1967	Brown et al.	174/101
5,031,083	A *	7/1991	Claesson	362/800
D348,118	S *	6/1994	Hamrin	D26/118
D368,781	S *	4/1996	Custance et al.	D25/122
6,561,690	B2 *	5/2003	Balestrierio et al.	362/555

6,659,623	B2 *	12/2003	Friend	362/800
7,090,375	B2 *	8/2006	Kuisma	362/555
D610,736	S *	2/2010	Klaus	D26/76
7,654,703	B2 *	2/2010	Kan et al.	362/362
D627,914	S *	11/2010	Couture	D26/76
D649,686	S *	11/2011	Trzesniowski	D26/138
8,075,164	B2 *	12/2011	Xiao et al.	362/373
D652,986	S *	1/2012	Trzesniowski	D26/138
D662,653	S *	6/2012	Hochman	D26/138
D665,123	S *	8/2012	Douglas	D26/138
D693,051	S *	11/2013	Klu	D26/138
D695,953	S *	12/2013	Klu	D26/138

* cited by examiner

Primary Examiner — Deanna L Pratt

Assistant Examiner — Natasha Vujcic

(74) *Attorney, Agent, or Firm* — Mark Terry

(57) **CLAIM**

The ornamental design for a housing for an LED-based lighting apparatus, as shown and described.

DESCRIPTION

FIG. 1 is a front view of a housing for an LED-based lighting apparatus, showing the new design;

FIG. 2 is a side view thereof.

FIG. 3 is a top perspective view thereof;

FIG. 4 is a bottom perspective view thereof;

FIG. 5 is a top view thereof; and,

FIG. 6 is a bottom view thereof.

The broken lines shown in the drawings illustrate portions of the housing for an LED-based lighting apparatus which form no part of the claimed design.

1 Claim, 6 Drawing Sheets

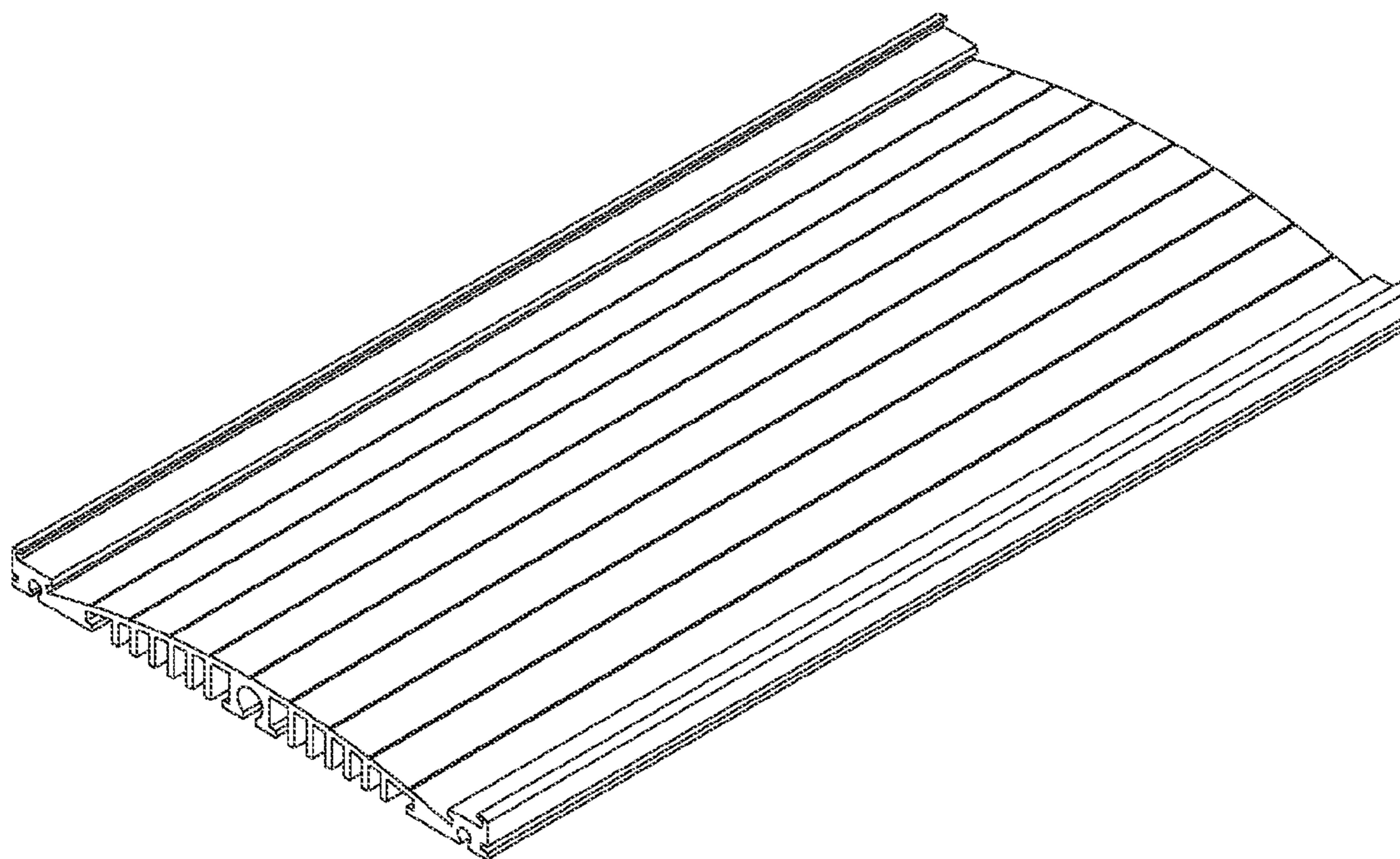




FIG.1

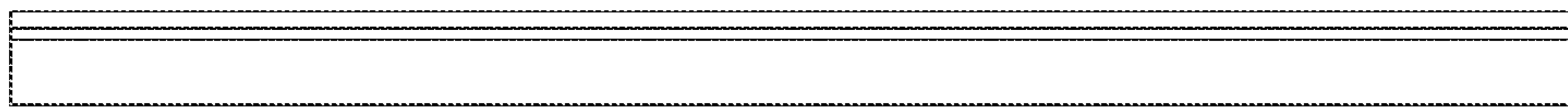


FIG.2

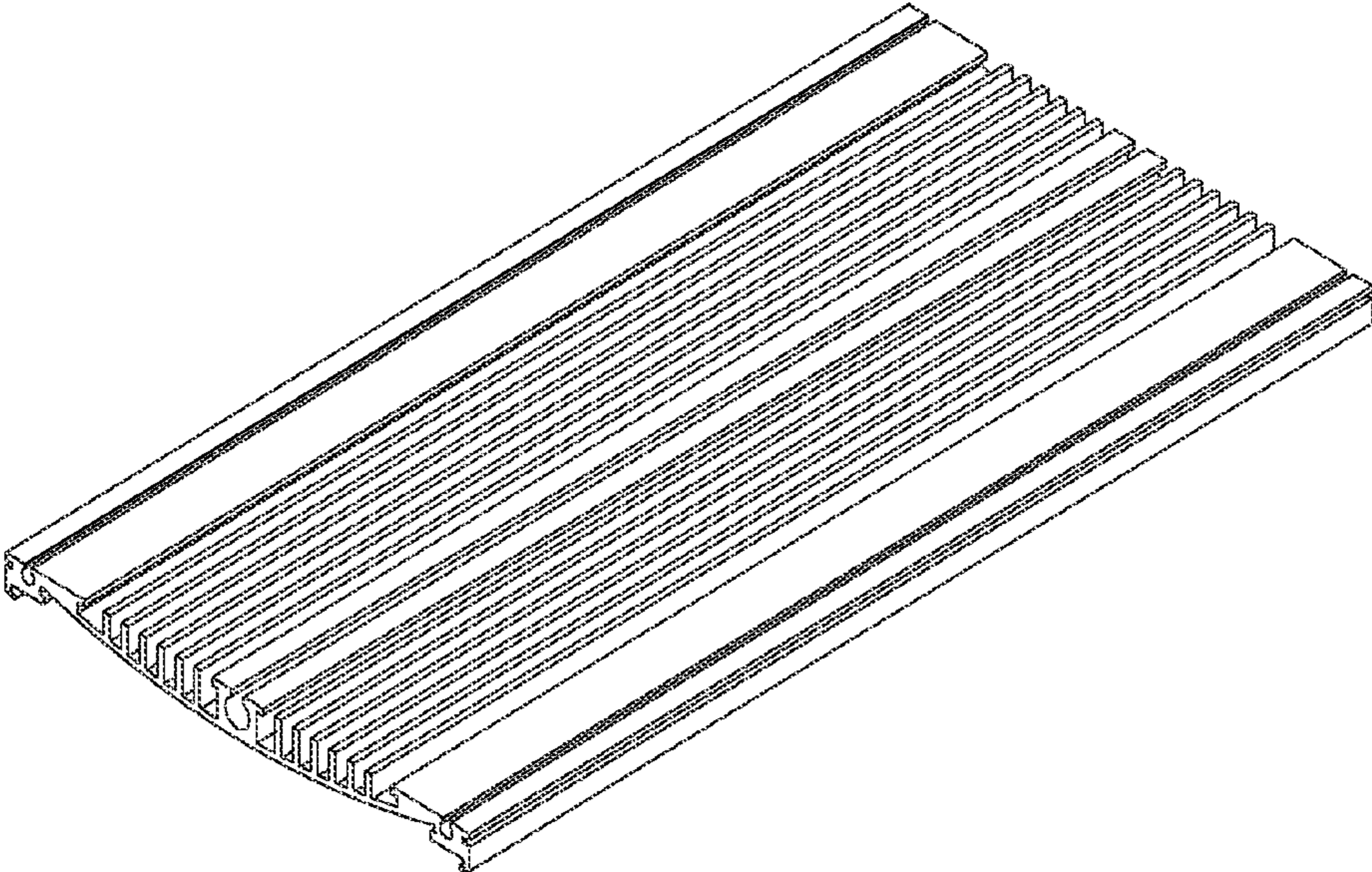


FIG.3

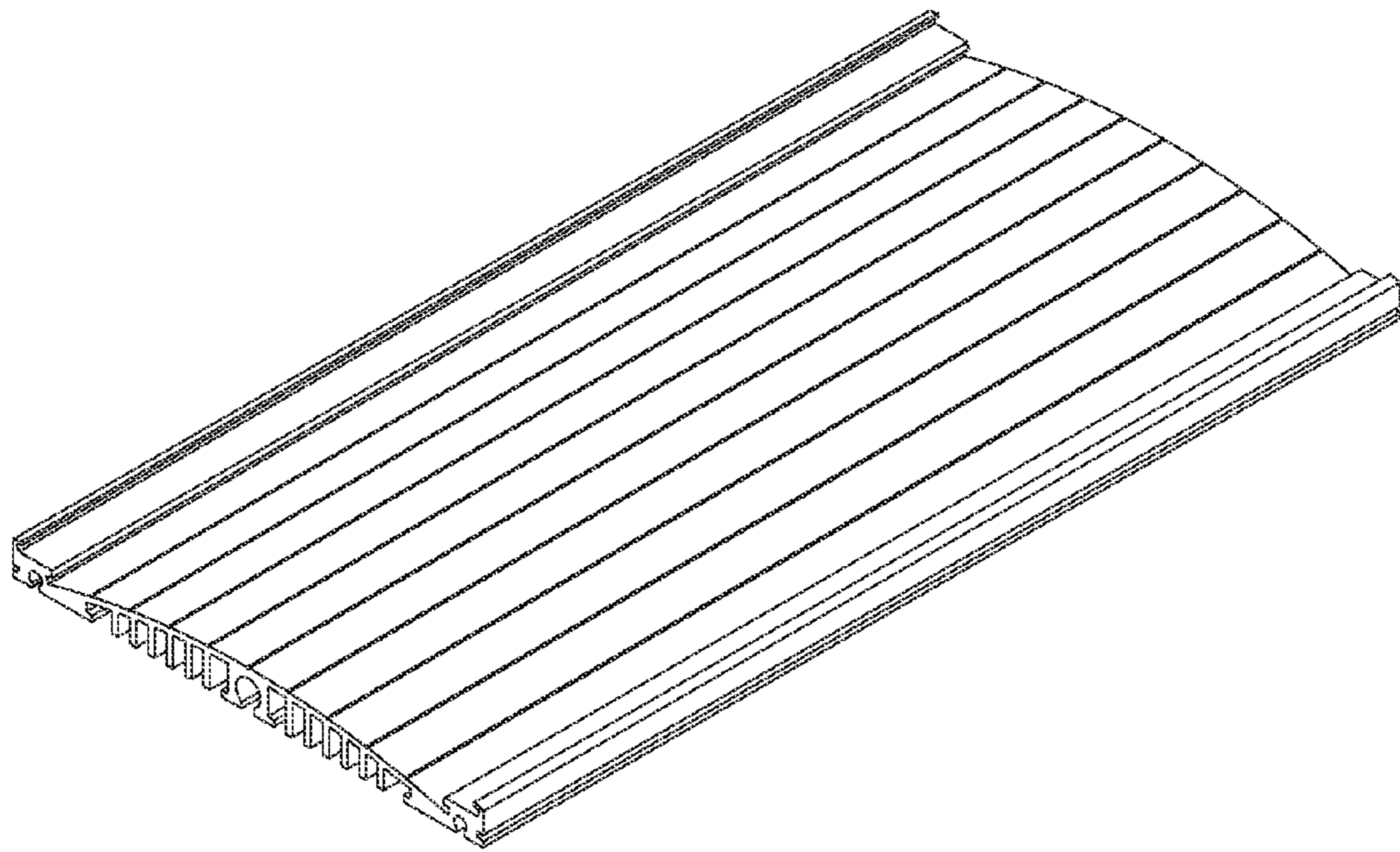


FIG.4



FIG.5

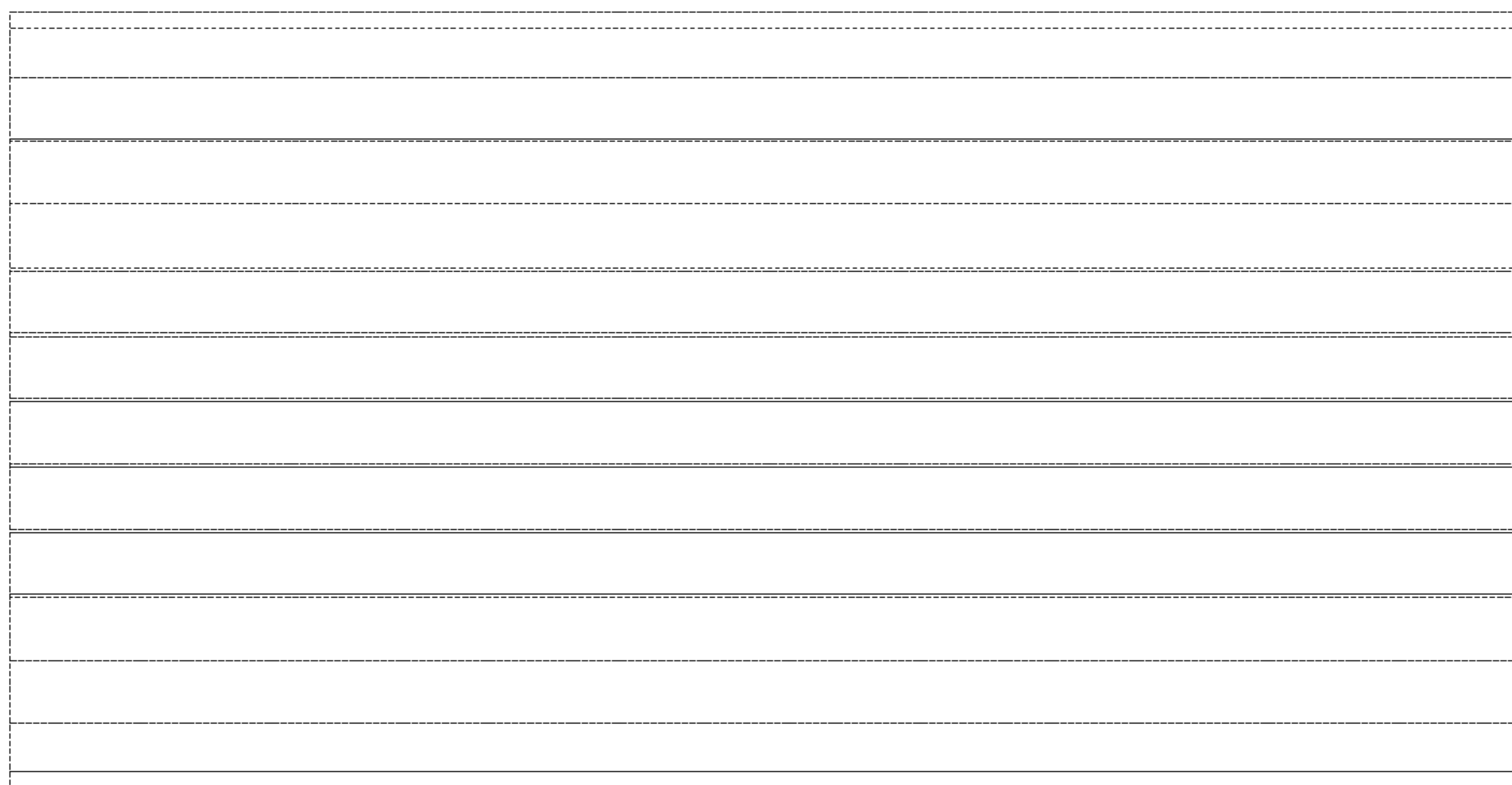


FIG. 6