



US00D715993S

(12) **United States Design Patent**  
**Grcic**

(10) **Patent No.:** **US D715,993 S**

(45) **Date of Patent:** **\*\* Oct. 21, 2014**

(54) **SUSPENSION LAMP**

(71) Applicant: **FLOS S.p.A.**, Brescia (IT)

(72) Inventor: **Konstantin Grcic**, Brescia (IT)

(73) Assignee: **FLOS S.p.A.**, Brescia (IT)

(\*\*) Term: **14 Years**

(21) Appl. No.: **29/467,201**

(22) Filed: **Sep. 17, 2013**

(30) **Foreign Application Priority Data**

Mar. 22, 2013 (IT) ..... BS2013O0008

(51) **LOC (10) Cl.** ..... **26-99**

(52) **U.S. Cl.**  
USPC ..... **D26/138**; D26/88

(58) **Field of Classification Search**  
USPC ..... D26/72, 80, 81, 82, 83, 84, 88, 90, 91,  
D26/118, 128, 138, 140, 155; 362/147,  
362/404-408

See application file for complete search history.

(56) **References Cited**

**U.S. PATENT DOCUMENTS**

D30,725	S	*	5/1899	Homan	.....	D26/88
D40,220	S	*	8/1909	Pitner	.....	D26/72
1,397,453	A	*	11/1921	Rekar	.....	362/270
3,891,173	A	*	6/1975	Ellis et al.	.....	248/231.71
D261,180	S	*	10/1981	Lagin	.....	D26/66
D342,338	S	*	12/1993	Thun	.....	D26/88
D470,972	S	*	2/2003	Scantlin	.....	D26/138
D635,709	S	*	4/2011	Federico et al.	.....	D26/84
D655,846	S	*	3/2012	Sabernig	.....	D26/83
D663,067	S	*	7/2012	Buyce et al.	.....	D26/138

D698,075	S	*	1/2014	Klus	.....	D26/138
D700,988	S	*	3/2014	Koho	.....	D26/88
D702,869	S	*	4/2014	Kondou et al.	.....	D26/88

**OTHER PUBLICATIONS**

Vision pendant #E22017-09 shown on p. 155 of the ET2 Lighting 2007 Catalog.\*

Circus—table lamp #E20126-11 and flushmounts #E20121-11 and #20122-11 all shown on pp. 163 and 164 of the ET2 Lighting 2007 Catalog. (3 pages-includes front cover of catalog).\*

Valente LED pendant shown on pp. 53 and 54 of the Eurofase Lighting Illuminations Catalog © 2009. (2 pages-includes rear cover of catalog).\*

\* cited by examiner

*Primary Examiner* — Clare E Heflin

(74) *Attorney, Agent, or Firm* — Thomas|Horstemeyer, LLP

(57) **CLAIM**

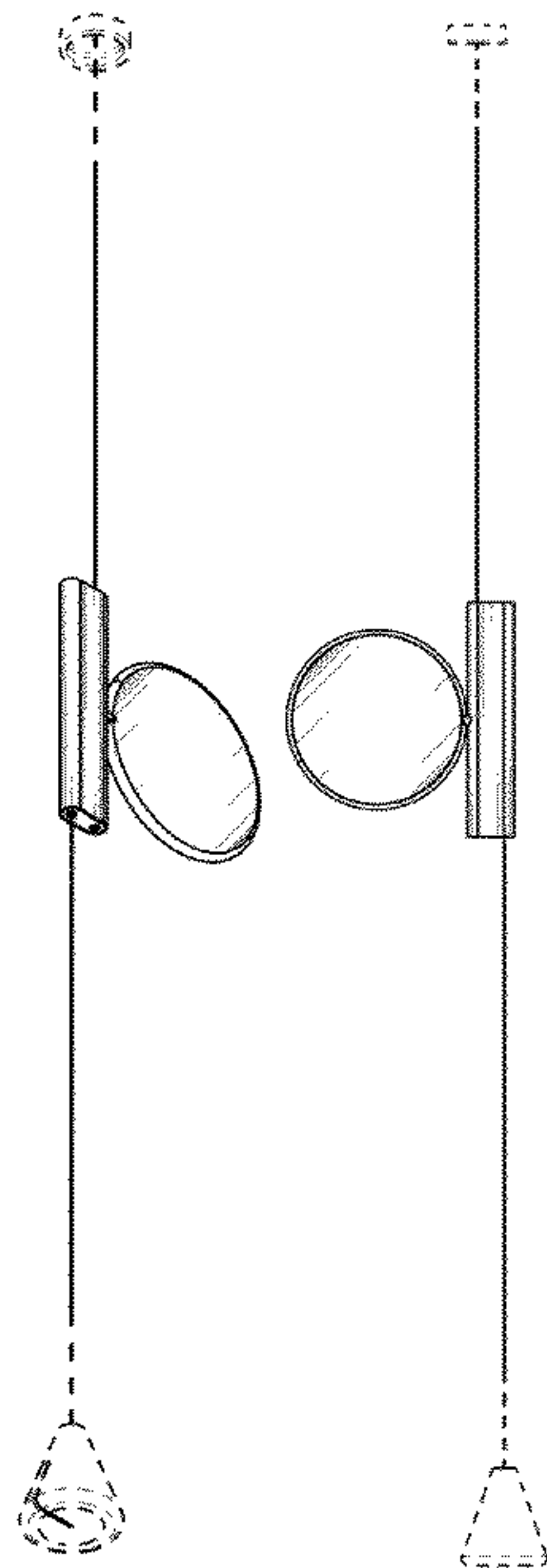
The ornamental design for a suspension lamp, as shown and described.

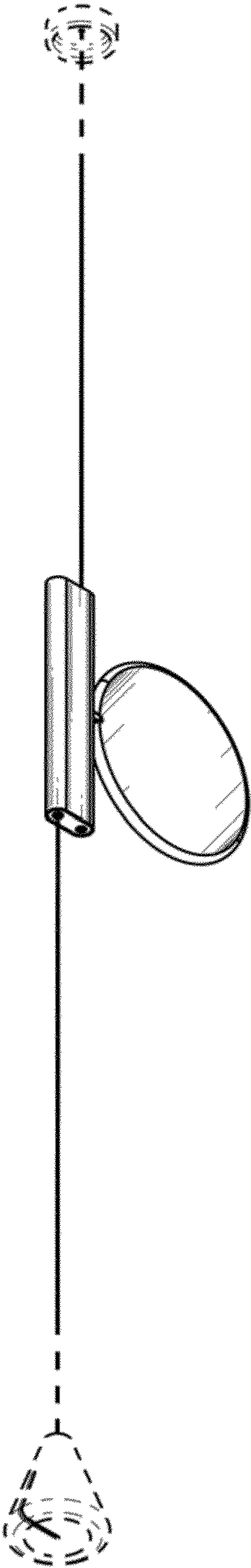
**DESCRIPTION**

FIG. 1 is a perspective view of my new suspension lamp; FIG. 2 is a front elevational view of my new suspension lamp; FIG. 3 is a rear elevational view of my new suspension lamp, opposite that of FIG. 2; FIG. 4 is a side elevational view of my new suspension lamp; FIG. 5 is another side elevational view of my new suspension lamp from a side opposite that of FIG. 4; FIG. 6 is a top view of my new suspension lamp; and, FIG. 7 is a bottom view of my new suspension lamp.

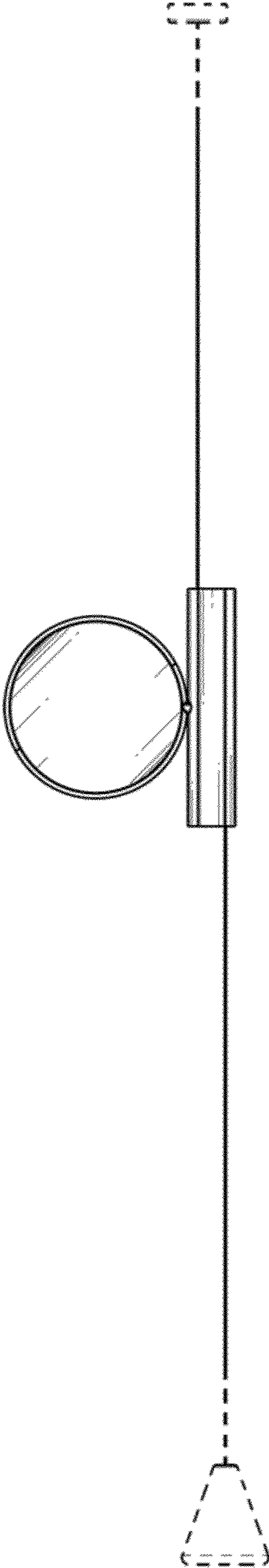
The broken line showing of portions of the suspension lamp in the figures is included for the purpose of illustrating environmental structure and forms no part of the claimed design.

**1 Claim, 6 Drawing Sheets**

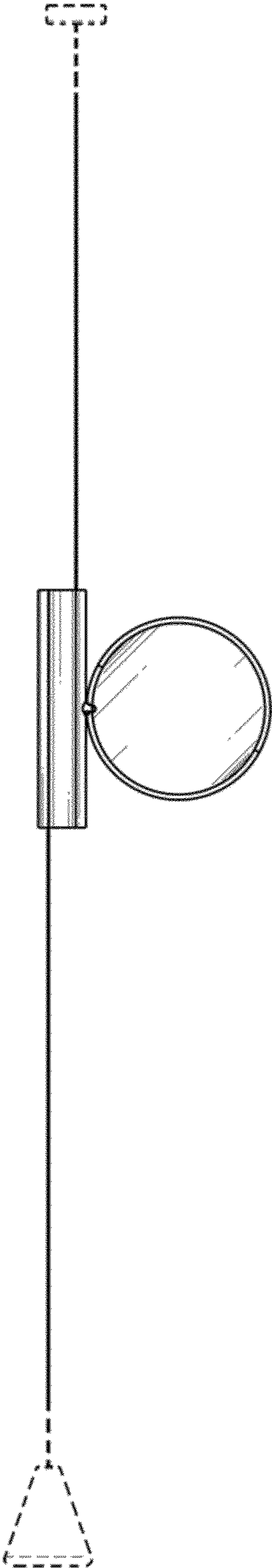




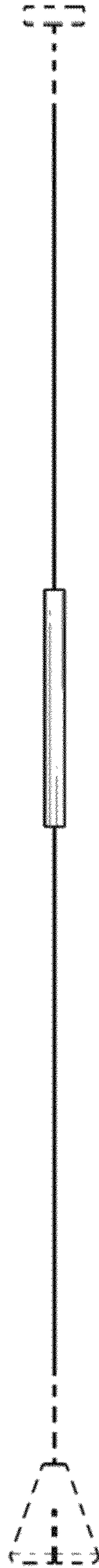
**FIG. 1**



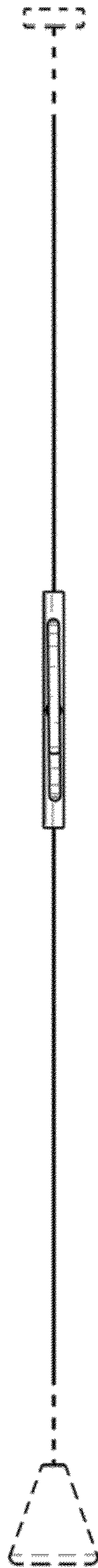
**FIG. 2**



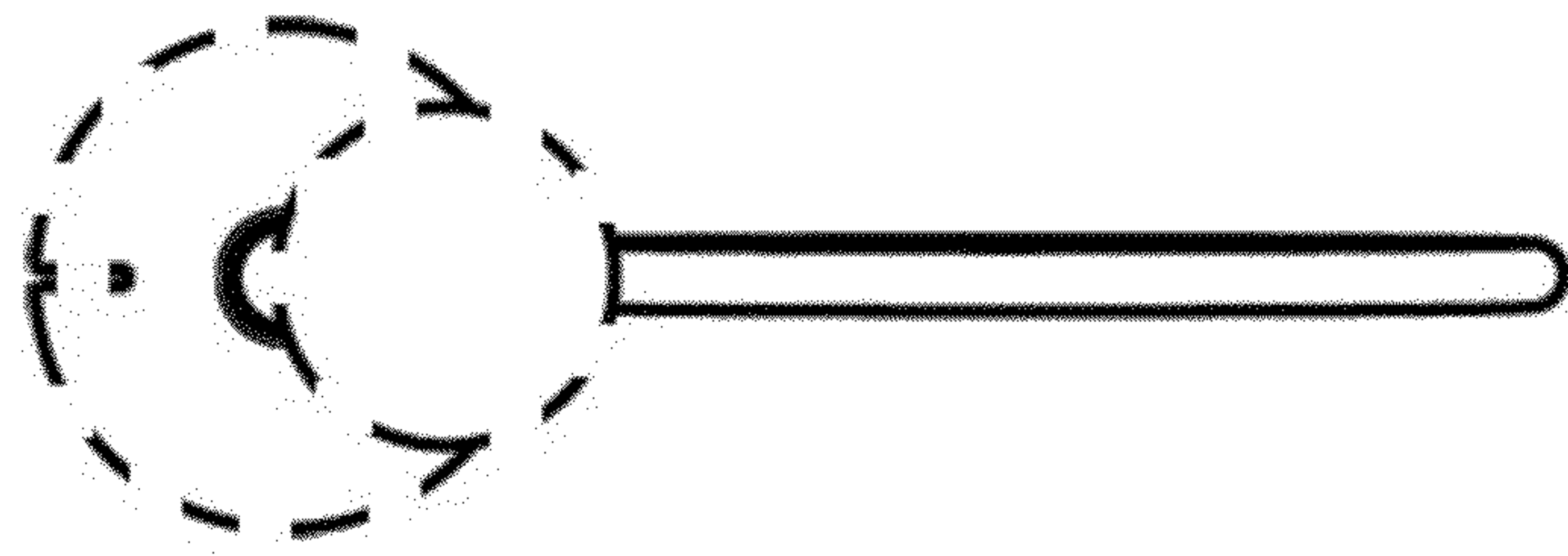
**FIG. 3**



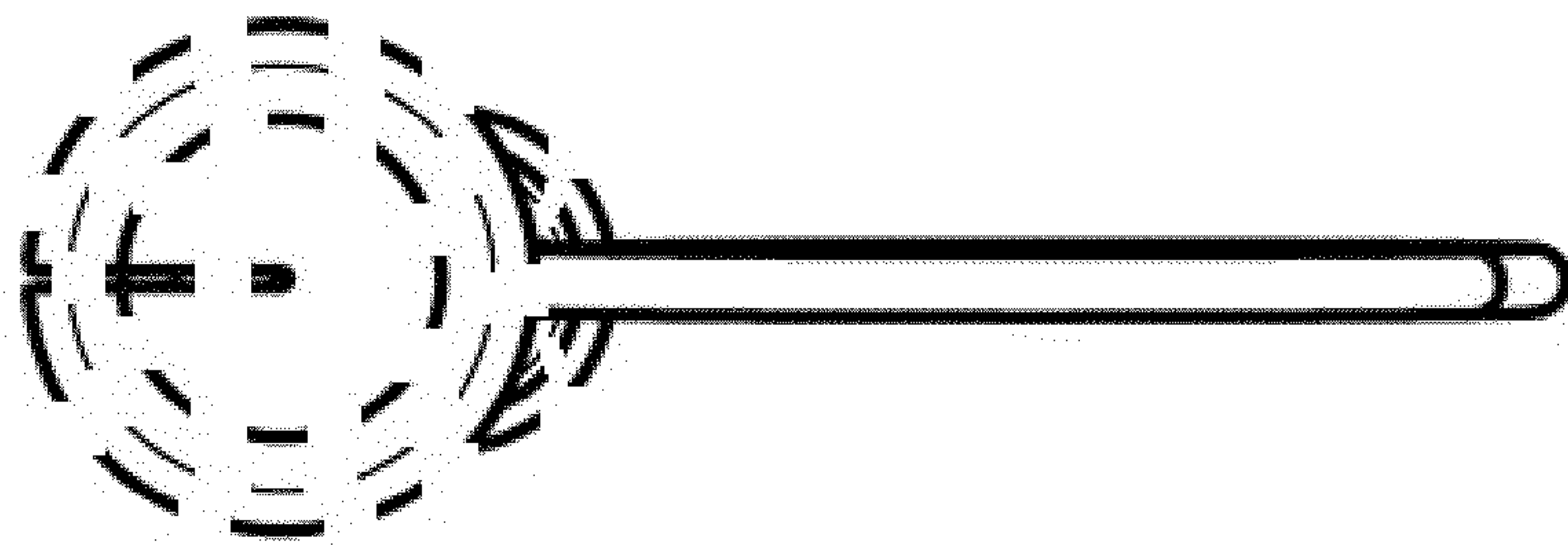
**FIG. 4**



**FIG. 5**



**FIG. 6**



**FIG. 7**