



US00D715988S

(12) **United States Design Patent**  
**Rosen**

(10) **Patent No.:** **US D715,988 S**

(45) **Date of Patent:** **\*\* Oct. 21, 2014**

(54) **FISHING LURE CHARGING LIGHT**

(71) Applicant: **Normark Innovations, Inc.**,  
Minnetonka, MN (US)

(72) Inventor: **Bart Reed Rosen**, Burnsville, MN (US)

(73) Assignee: **Normark Innovations, Inc.**,  
Minnetonka, MN (US)

(\*\*) Term: **14 Years**

(21) Appl. No.: **29/479,161**

(22) Filed: **Jan. 13, 2014**

(51) **LOC (10) Cl.** ..... **26-99**

(52) **U.S. Cl.**  
USPC ..... **D26/113**

(58) **Field of Classification Search**  
USPC ..... D26/67, 68, 69, 113, 118, 119, 120,  
D26/122, 121, 124, 123, 125, 126, 128, 129,  
D26/130, 132, 135, 138, 145, 155, 87, 86,  
D26/89, 90, 91, 92, 1, 2, 65, 64, 62, 74, 75,  
D26/76, 46, 37, 72; D13/179, 180; 362/157,  
362/109, 396, 326, 294, 544, 147; 43/17,  
43/17.6; D22/134, 139, 148  
See application file for complete search history.

(56) **References Cited**

**U.S. PATENT DOCUMENTS**

3,148,473	A *	9/1964	Miller	.....	43/17
3,600,836	A *	8/1971	Miyamae	.....	43/17
4,479,321	A *	10/1984	Welstead	.....	43/17
D281,805	S *	12/1985	Bolinger	.....	D22/148
4,766,688	A *	8/1988	Hiles	.....	43/17
D305,351	S *	1/1990	Mills	.....	D22/134
D321,763	S *	11/1991	Short	.....	D26/37
5,303,133	A *	4/1994	Wagner	.....	362/157

D359,817	S *	6/1995	Leveika	.....	D26/138
5,771,624	A *	6/1998	Vickery et al.	.....	43/17
D412,197	S *	7/1999	Jones, Jr.	.....	D22/143
6,708,441	B2 *	3/2004	Dirito	.....	43/17
6,922,935	B2 *	8/2005	Yu	.....	43/17.6
D538,143	S *	3/2007	Pu et al.	.....	D8/394
D554,733	S *	11/2007	Kawabata et al.	.....	D22/134
D661,369	S *	6/2012	Nelson	.....	D22/134
8,240,893	B2 *	8/2012	Lin	.....	362/396
2009/0223109	A1 *	9/2009	Makowski	.....	43/17.6

\* cited by examiner

*Primary Examiner* — Kevin Rudzinski

(74) *Attorney, Agent, or Firm* — Dority & Manning, P.A.

(57) **CLAIM**

The ornamental design for a fishing lure charging light, as shown and described.

**DESCRIPTION**

FIG. 1 is a perspective view of the fishing lure charging light according to the present invention.

FIG. 2 is a top view of the fishing lure charging light illustrated in FIG. 1.

FIG. 3 is a bottom view of the fishing lure charging light illustrated in FIG. 1.

FIG. 4 is a front view of the fishing lure charging light illustrated in FIG. 1.

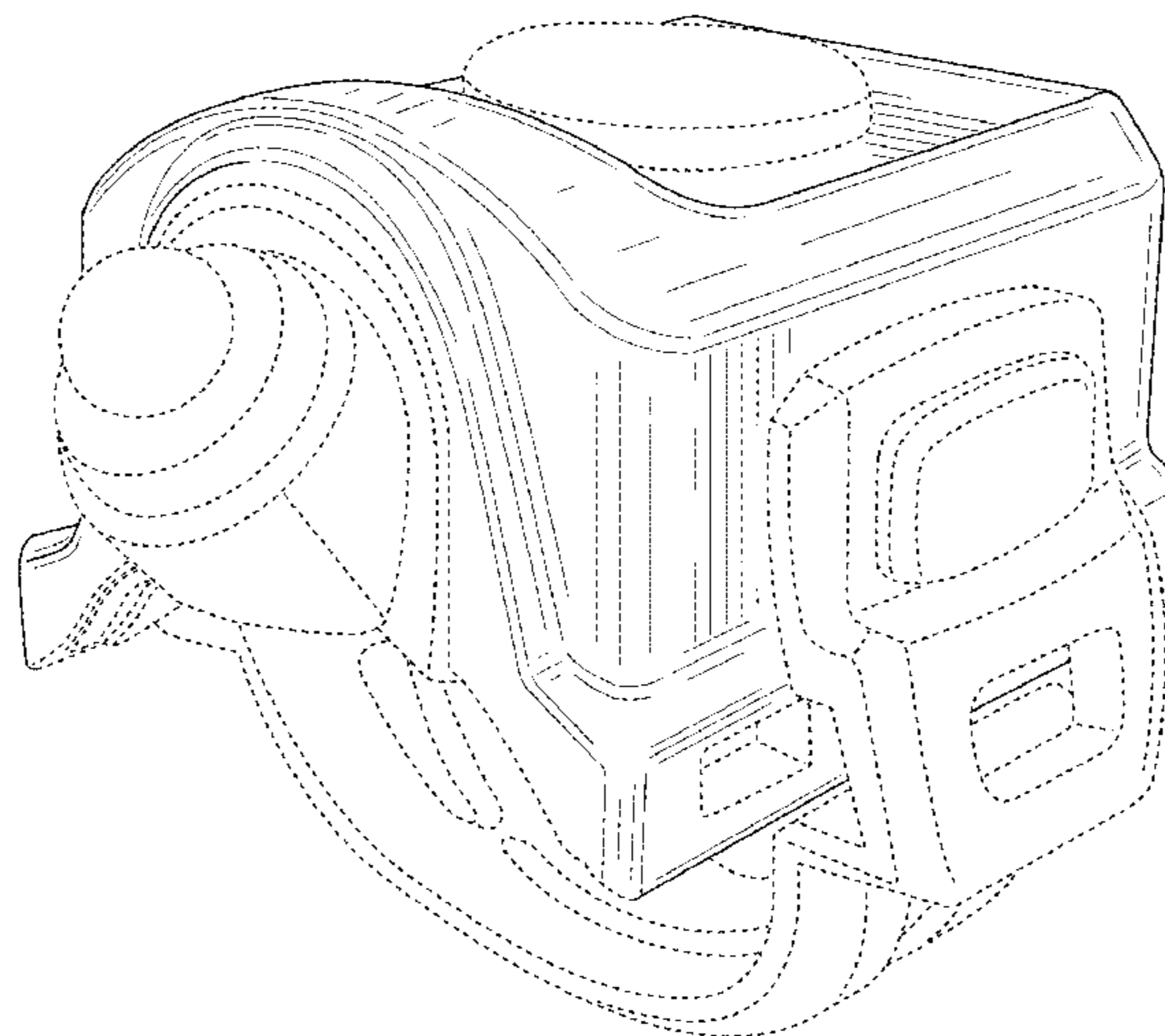
FIG. 5 is rear view of the fishing lure charging light illustrated in FIG. 1.

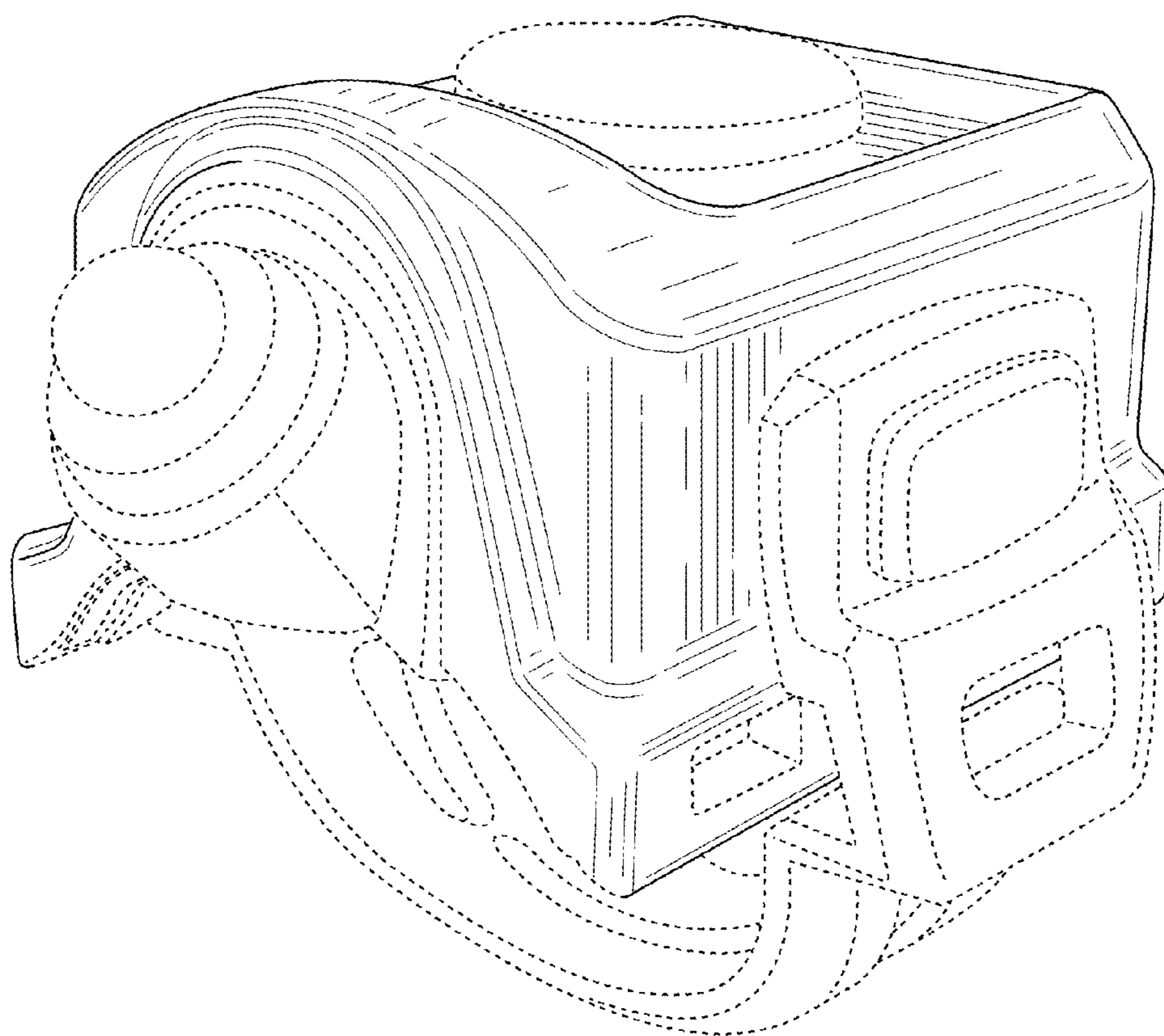
FIG. 6 is a side view of the fishing lure charging light illustrated in FIG. 1; and,

FIG. 7 is another side view of the fishing lure charging light illustrated in FIG. 1.

The surface shading and broken lines shown in FIGS. 1-7 represent portions of the fishing lure charging light that form no part of the claimed design.

**1 Claim, 7 Drawing Sheets**





**FIG. 1**

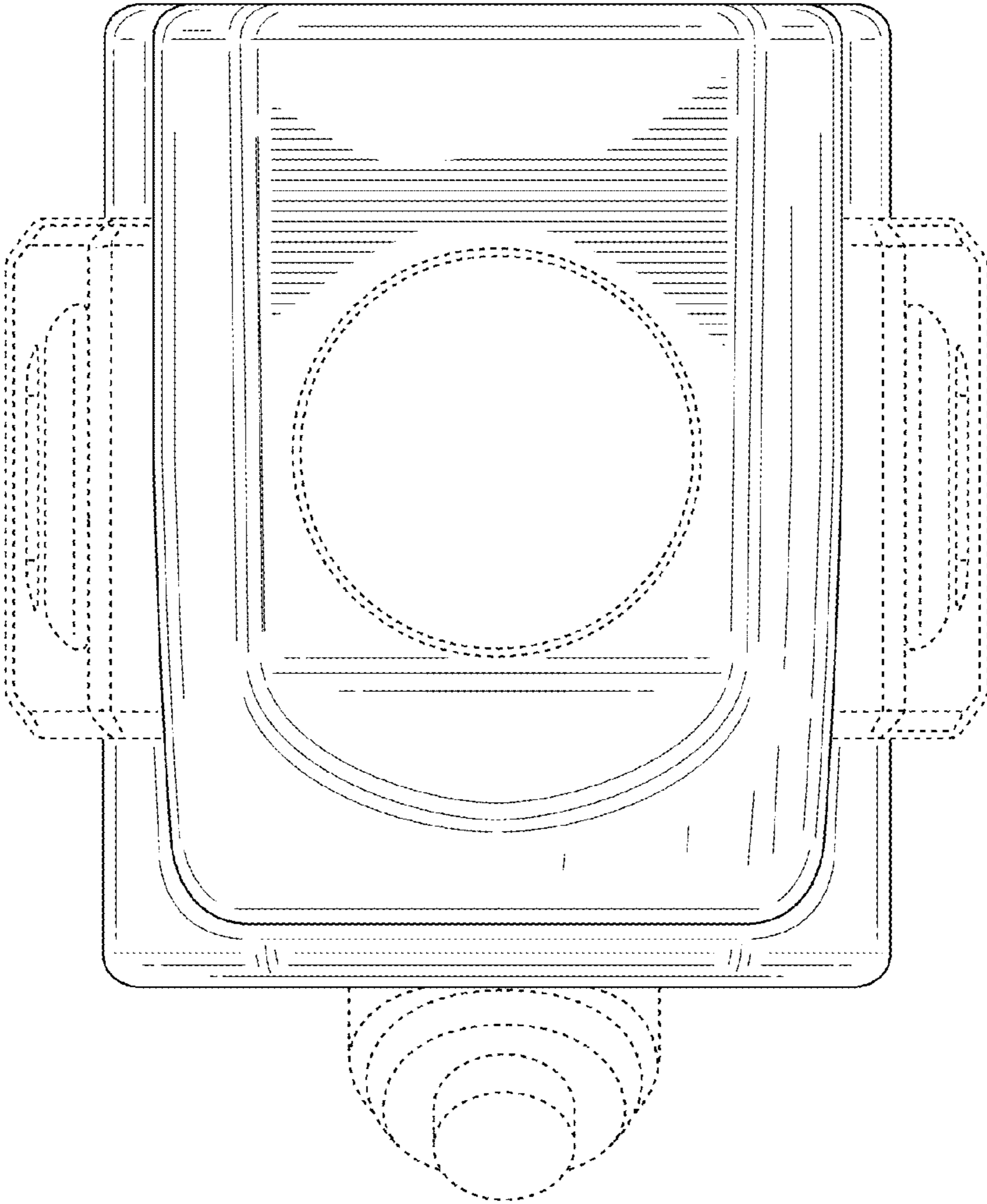
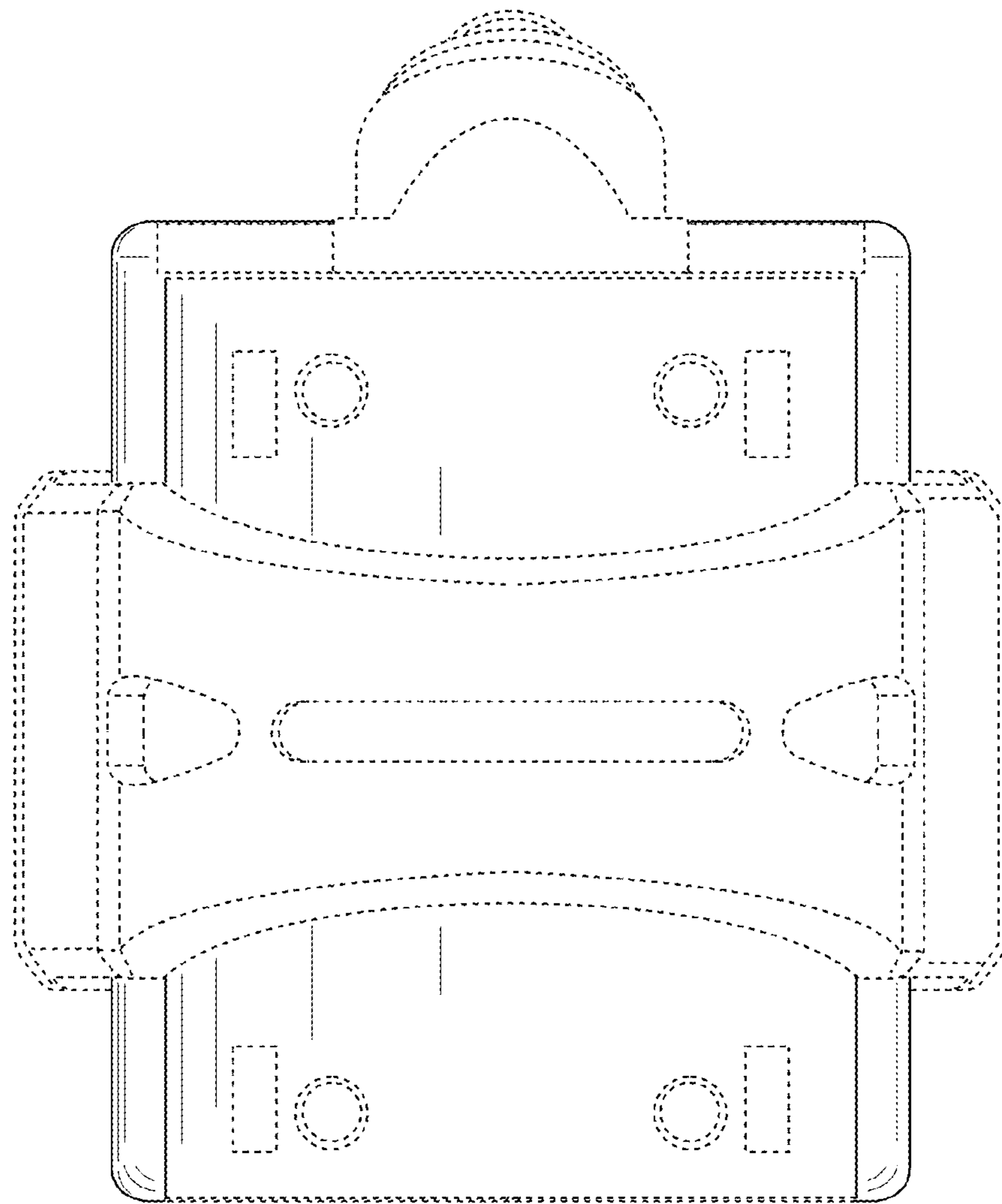


FIG. 2



**FIG. 3**

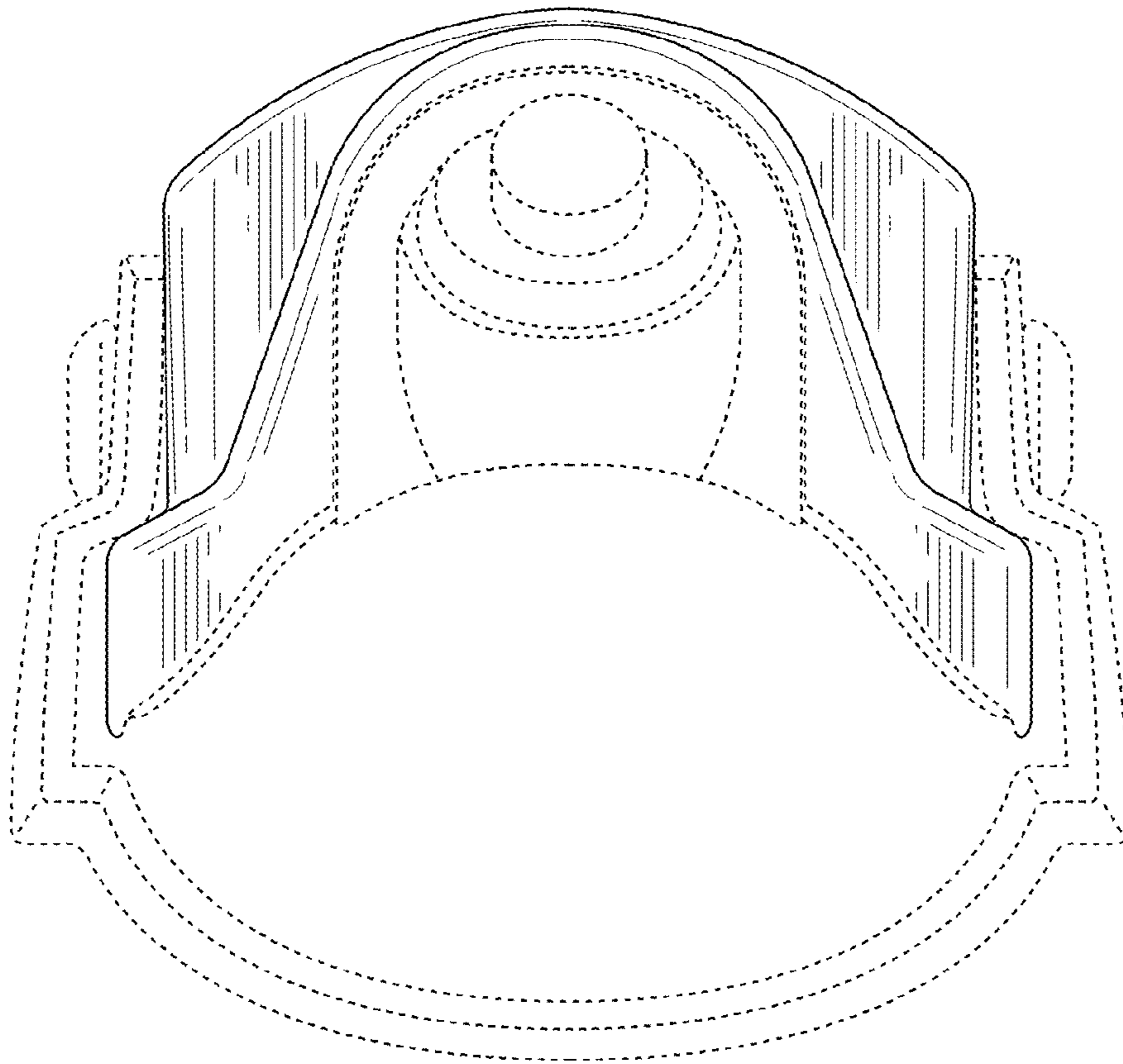


FIG. 4

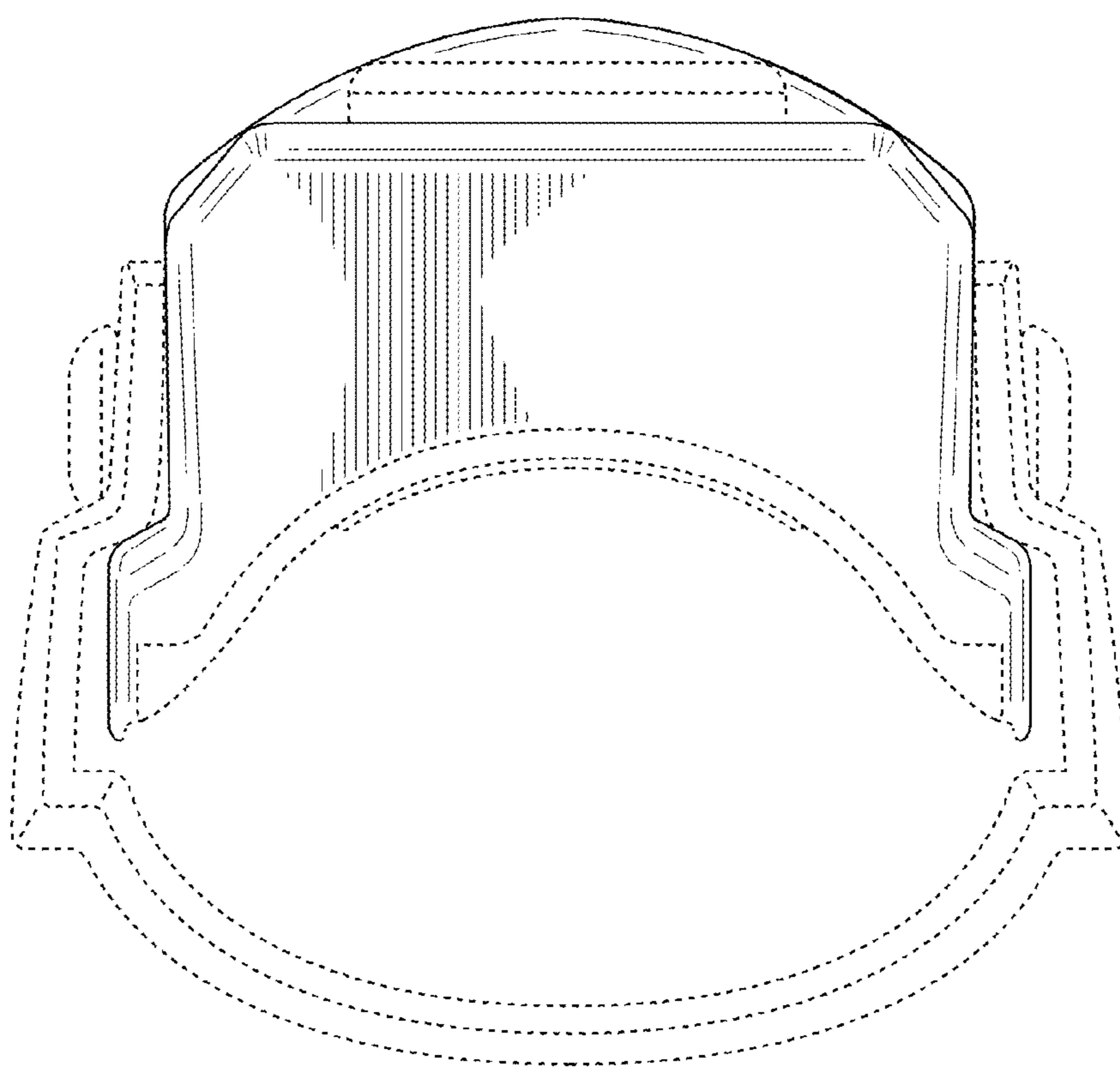


FIG. 5

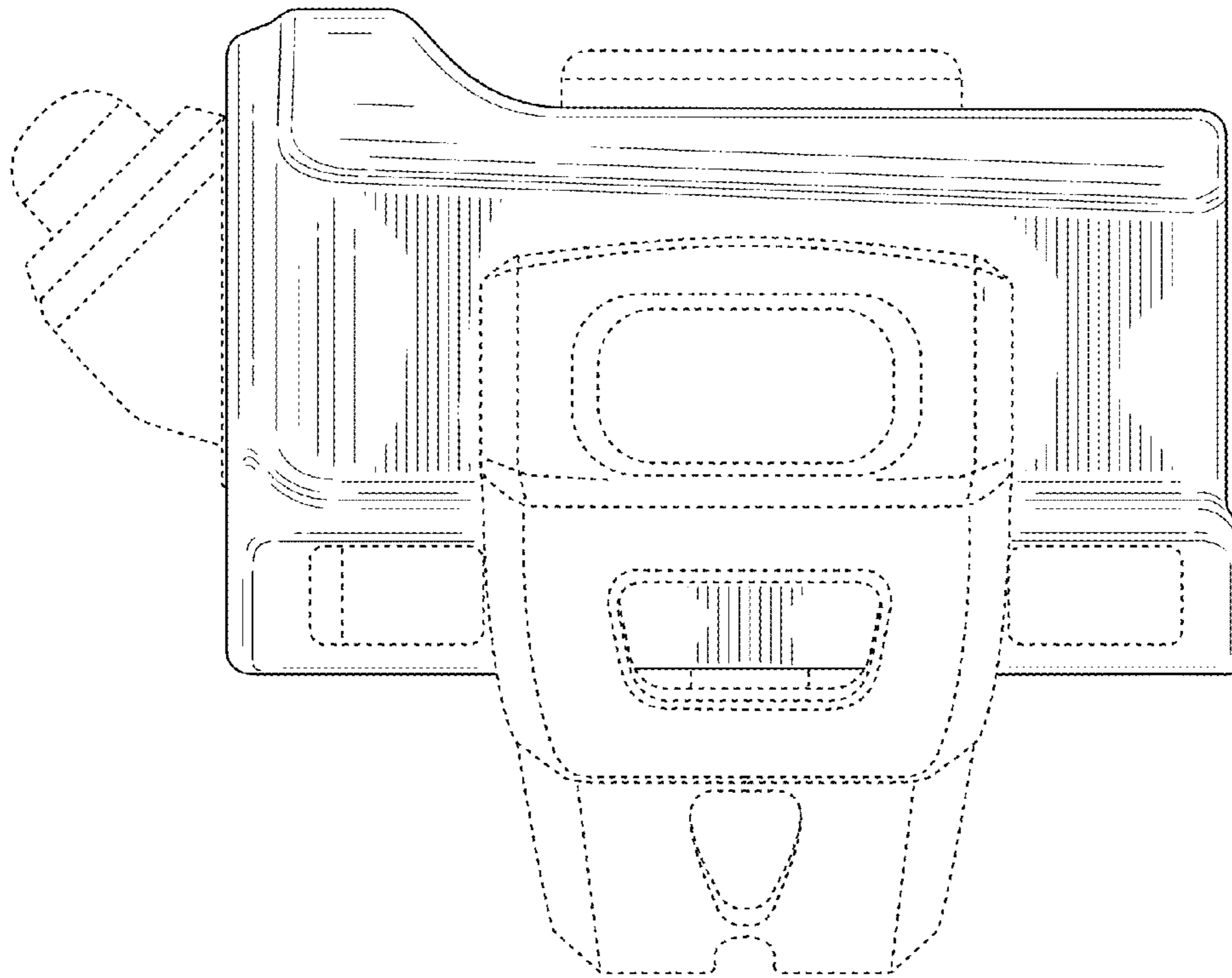
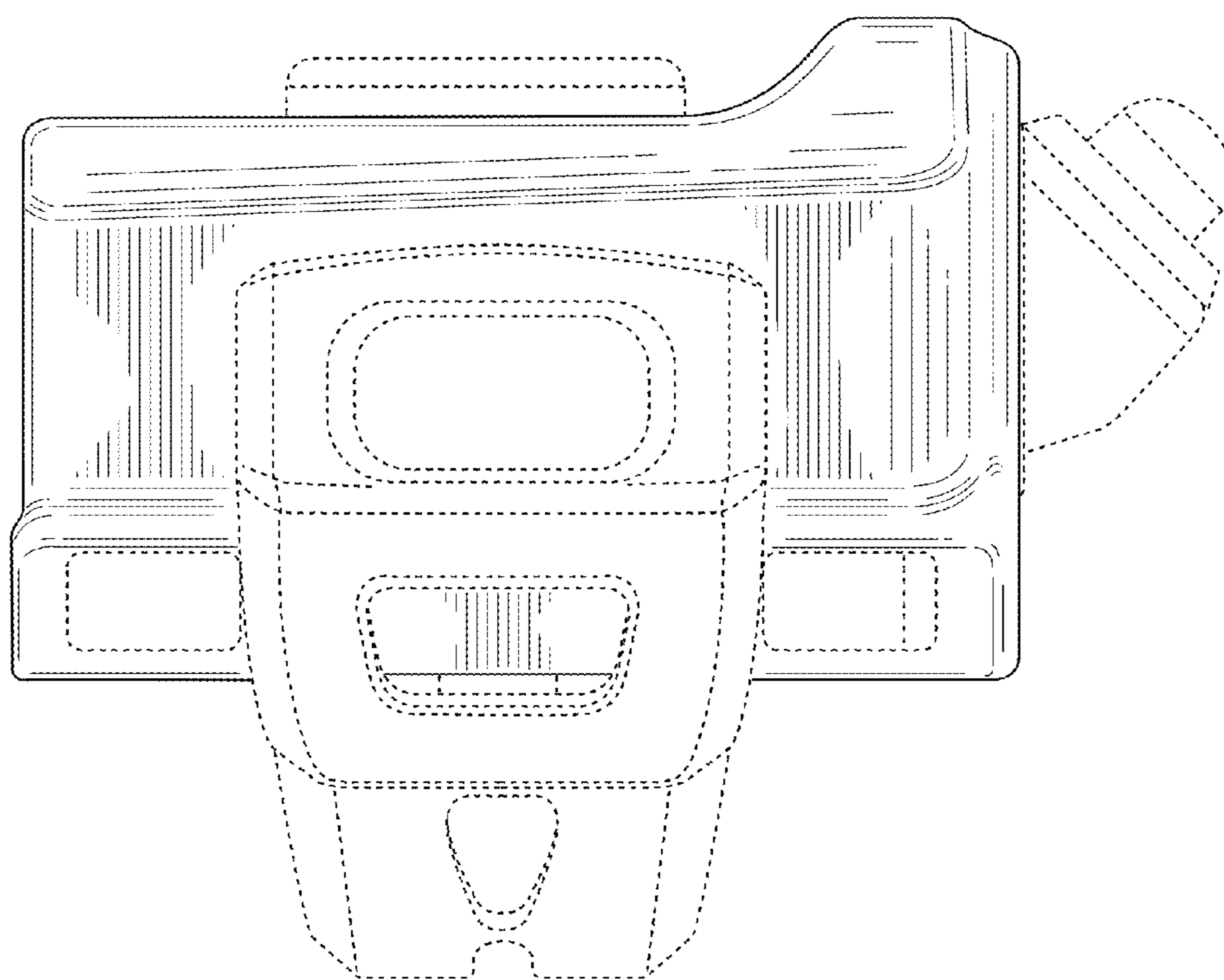


FIG. 6



**FIG. 7**