



US00D715985S

(12) **United States Design Patent**  
**Anastassiades**

(10) **Patent No.:** **US D715,985 S**  
(45) **Date of Patent:** **\*\* Oct. 21, 2014**

(54) **SUSPENSION LAMP**

(71) Applicant: **FLOS S.p.A.**, Brescia (IT)

(72) Inventor: **Michael Anastassiades**, Brescia (IT)

(73) Assignee: **FLOS S.p.A.**, Brescia (IT)

(\*\*) Term: **14 Years**

(21) Appl. No.: **29/468,098**

(22) Filed: **Sep. 26, 2013**

(30) **Foreign Application Priority Data**

Mar. 29, 2013 (IT) ..... BS2013O0010

(51) **LOC (10) Cl.** ..... **26-03**

(52) **U.S. Cl.**  
USPC ..... **D26/88**

(58) **Field of Classification Search**  
CPC ..... F21S 8/06; F21V 27/00; F21V 21/18  
USPC ..... D26/80, 81, 84, 88, 90, 91, 118, 135;  
362/147, 404-408  
See application file for complete search history.

(56) **References Cited**

**U.S. PATENT DOCUMENTS**

- D94,409 S \* 1/1935 Chapman ..... D26/107
- D231,679 S \* 5/1974 Keller ..... D26/87
- D232,966 S \* 9/1974 Shemitz ..... D26/87
- D285,978 S \* 9/1986 Rice ..... D26/107
- D342,338 S \* 12/1993 Thun ..... D26/88
- D390,680 S \* 2/1998 Giese et al. .... D26/68
- D541,970 S \* 5/2007 Blackman ..... D26/81

- D565,779 S \* 4/2008 Meise et al. .... D26/84
- D567,986 S \* 4/2008 Meise et al. .... D26/84
- D575,440 S \* 8/2008 Pelzl ..... D26/88
- D620,180 S \* 7/2010 Sabernig ..... D26/84
- D635,709 S \* 4/2011 Federico et al. .... D26/84
- D690,873 S \* 10/2013 Meise et al. .... D26/88

**OTHER PUBLICATIONS**

Refraction Collection pendants #1474 shown on p. 201 of the E.L.K. Lighting, Inc. Catalog No. 2900. © 2009. (2 pages include rear cover).\*

\* cited by examiner

*Primary Examiner* — Clare E Heflin

(74) *Attorney, Agent, or Firm* — Thomas |Horstemeyer, LLP

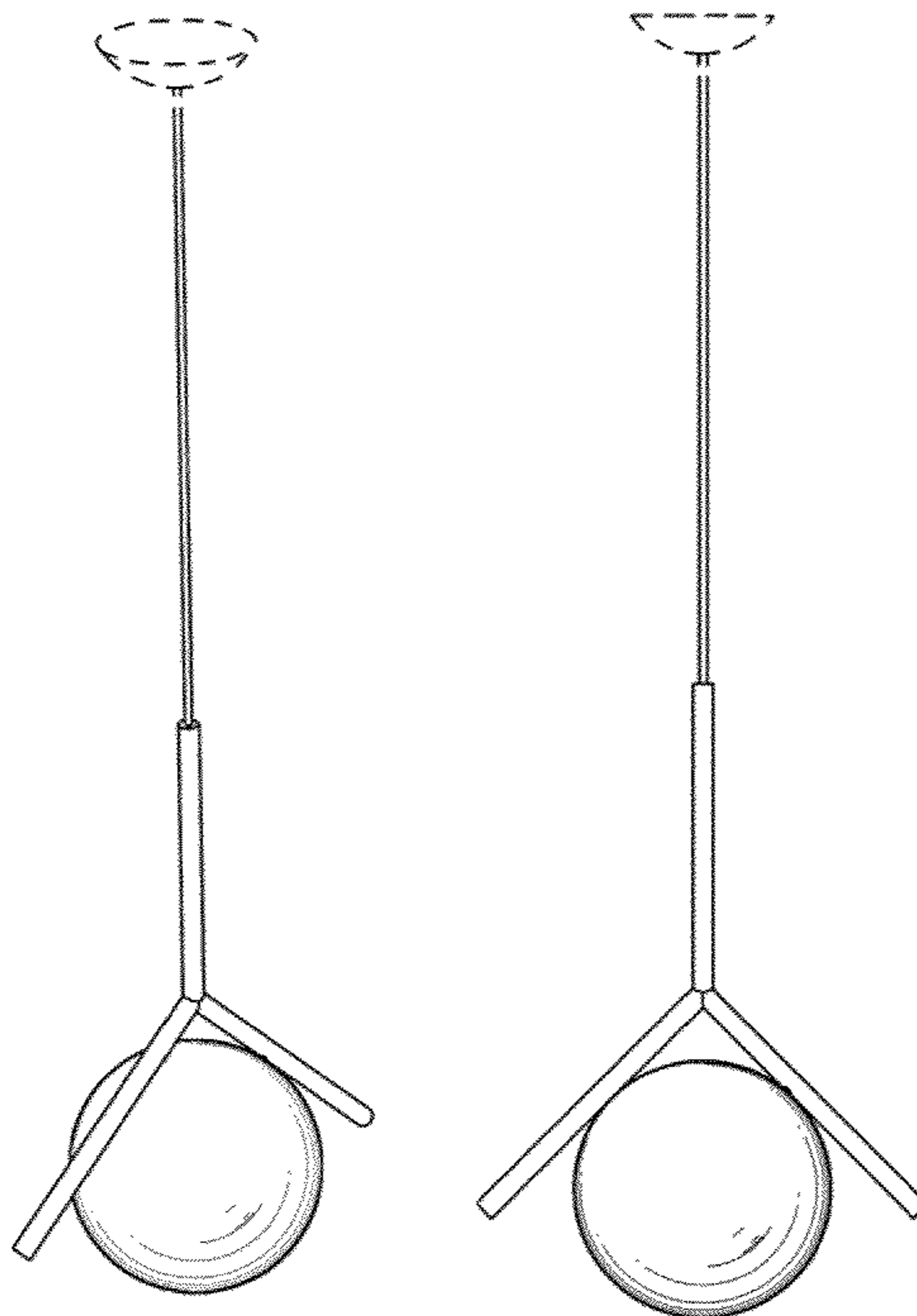
(57) **CLAIM**

The ornamental design for a suspension lamp, as shown and described.

**DESCRIPTION**

FIG. 1 is a perspective view of my new suspension lamp; FIG. 2 is a side elevational view of my new suspension lamp; FIG. 3 is another side elevational view of my new suspension lamp from a side opposite that of FIG. 2; FIG. 4 is a front elevational view of my new suspension lamp; FIG. 5 is a rear elevational view of my new suspension lamp, opposite that of FIG. 4; FIG. 6 is a top view of my new suspension lamp; and, FIG. 7 is a bottom view of my new suspension lamp. The broken line showing of portions of the suspension lamp in the figures is included for the purpose of illustrating environmental structure and forms no part of the claimed design.

**1 Claim, 7 Drawing Sheets**



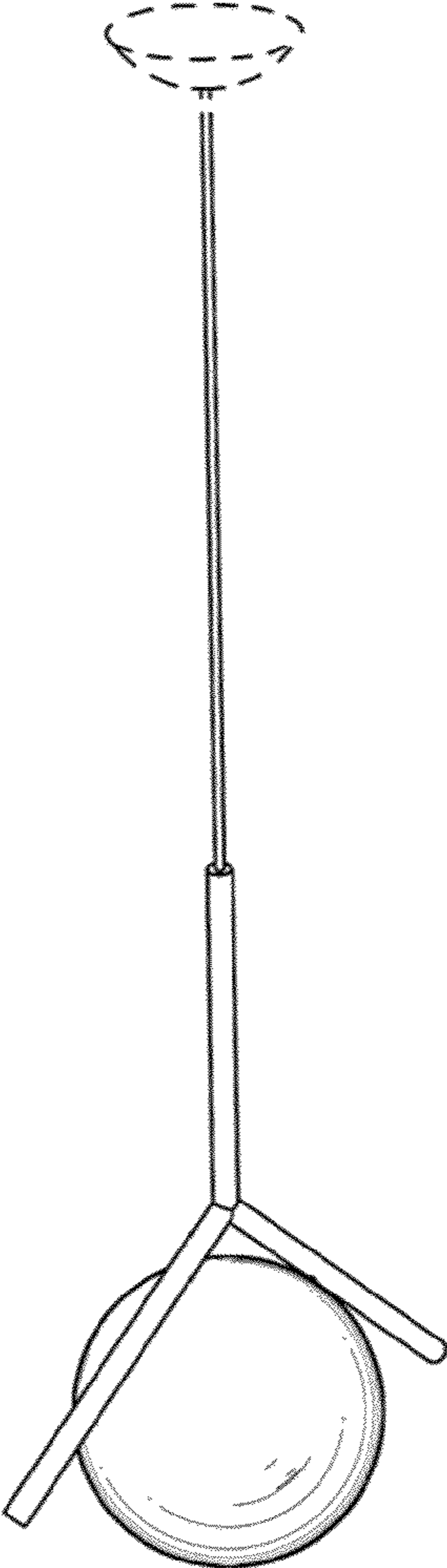


FIG. 1

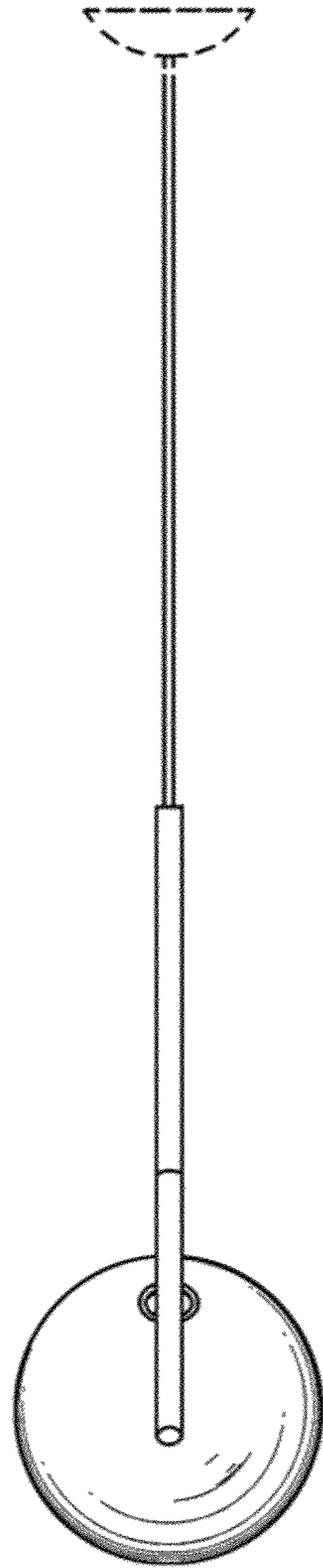


FIG. 2

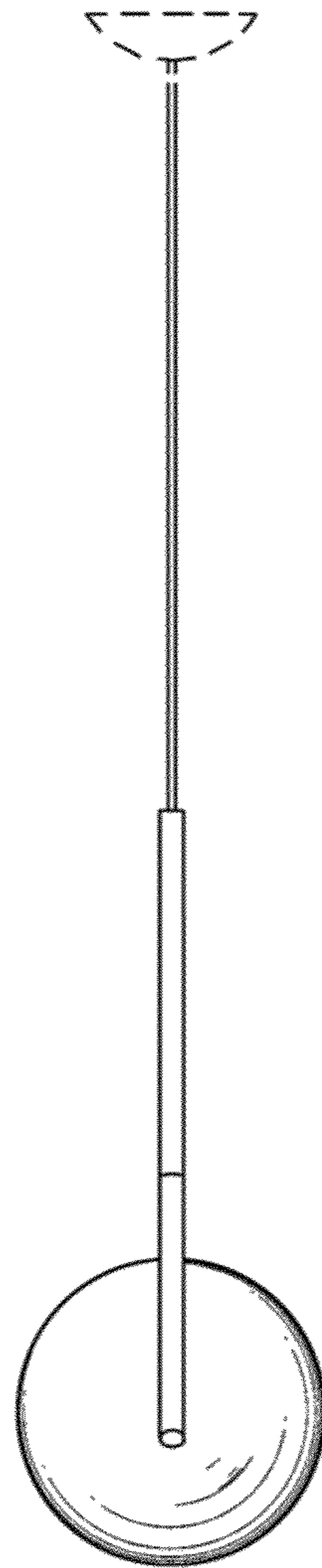


FIG. 3

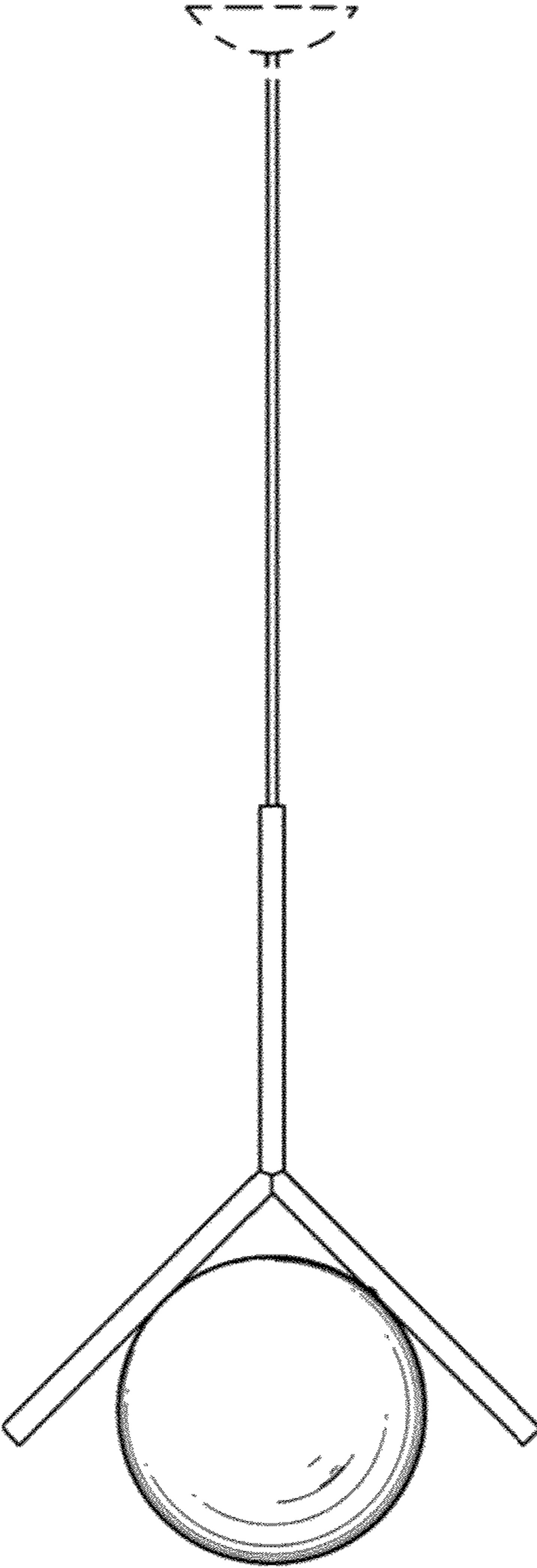


FIG. 4

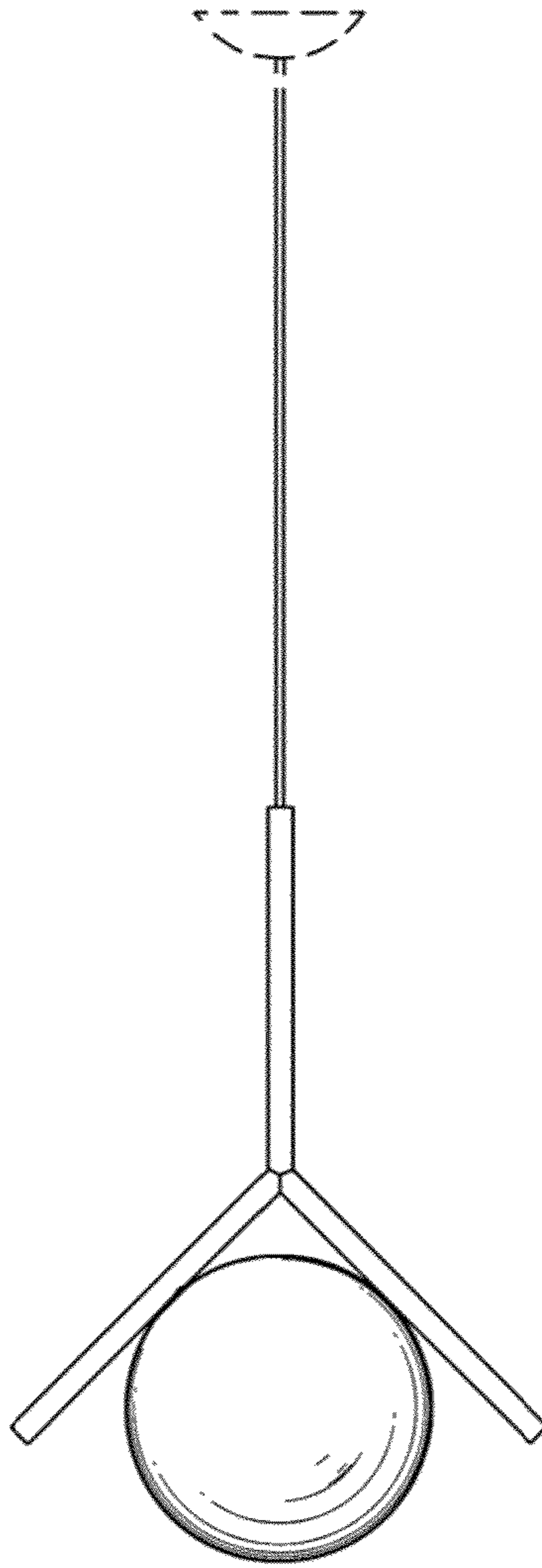


FIG. 5

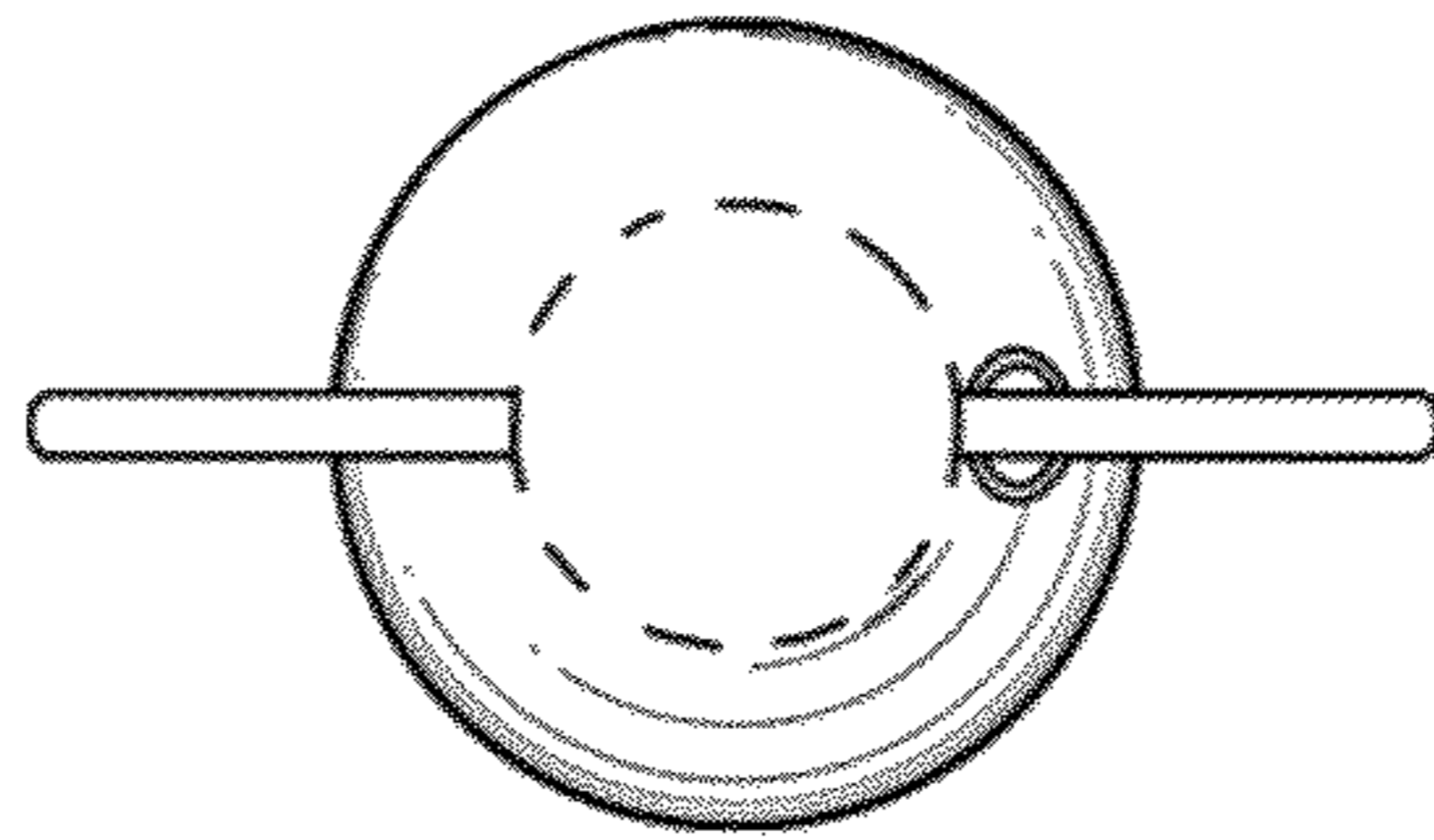


FIG. 6

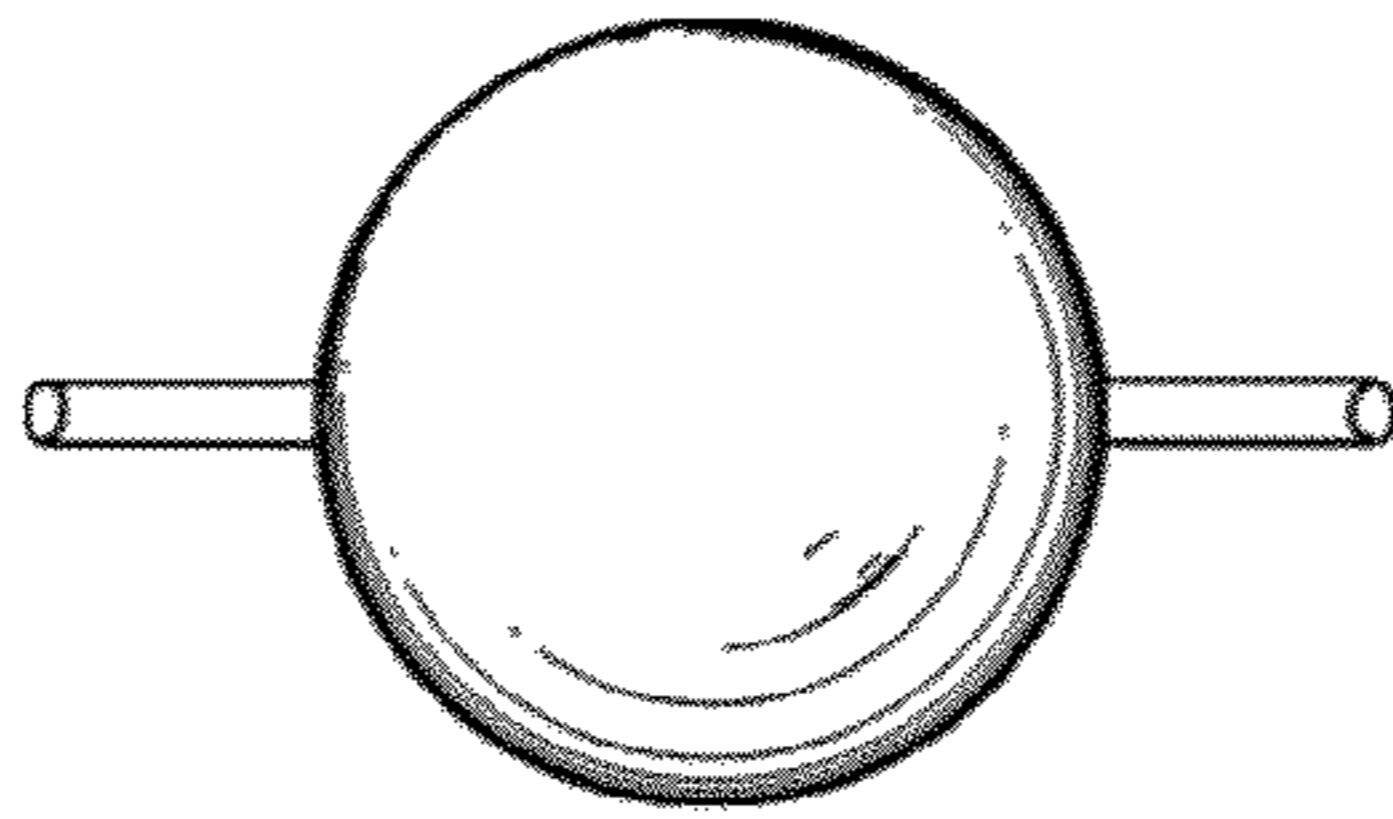


FIG. 7