



US00D715983S

(12) **United States Design Patent**
Jeong et al.

(10) **Patent No.:** **US D715,983 S**
(45) **Date of Patent:** **** Oct. 21, 2014**

(54) **LASER POINTER**

(75) Inventors: **Deok-Hee Jeong**, Gyeonggi-Do (KR);
Geun-Tak Kim, Seoul-si (KR); **Do-Won Kim**, Seoul-si (KR)

(73) Assignee: **Tangram Design Lab., Inc.**, Seoul (KR)

(**) Term: **14 Years**

(21) Appl. No.: **29/425,981**

(22) Filed: **Jun. 28, 2012**

(30) **Foreign Application Priority Data**

Mar. 15, 2012 (KR) 30-2012-0012418

(51) **LOC (10) Cl.** **26-02**

(52) **U.S. Cl.**
USPC **D26/46**

(58) **Field of Classification Search**
USPC D26/37, 38, 42, 49, 46, 40, 50;
362/157, 158, 183, 184, 194-196,
362/202-208

See application file for complete search history.

(56) **References Cited**

U.S. PATENT DOCUMENTS

D229,854 S *	1/1974	Bajusz	D26/49
D244,796 S *	6/1977	Staub	D26/49
D359,482 S *	6/1995	Huang	D26/37
D368,786 S *	4/1996	Van Cort	D26/49
D371,214 S *	6/1996	Terry, Sr.	D26/49
D395,720 S *	6/1998	Galli	D26/37
D403,451 S *	12/1998	Ting	D26/37
D403,737 S *	1/1999	Howe et al.	D22/139
D419,254 S *	1/2000	Chiu	D26/49
D419,704 S *	1/2000	Ting	D26/37

D445,926 S *	7/2001	Cheong	D26/37
D455,513 S *	4/2002	Galli	D26/49
D495,076 S *	8/2004	Mandel	D26/37
6,811,280 B1 *	11/2004	Sharrah et al.	362/202
D508,748 S *	8/2005	Man	D26/37
D521,164 S *	5/2006	Sharrah	D26/37
D531,334 S *	10/2006	Lin	D26/37
D548,837 S *	8/2007	Oikawa	D24/158
D560,835 S *	1/2008	Hass	D26/37
D576,324 S *	9/2008	Wolff et al.	D26/39
D612,968 S *	3/2010	Ma	D26/49
7,954,978 B2 *	6/2011	Sharrah et al.	362/202
D656,259 S *	3/2012	Ku	D26/37
D676,170 S *	2/2013	Feng et al.	D26/38
D693,042 S *	11/2013	Wu	D26/49

* cited by examiner

Primary Examiner — Ian Simmons

Assistant Examiner — Carissa C Fitts

(74) *Attorney, Agent, or Firm* — Intellectual Property Law Group LLP

(57) **CLAIM**

The ornamental design for a laser pointer, as shown and described.

DESCRIPTION

FIG. 1 is a top, front, side perspective view of a laser pointer showing my new design;

FIG. 2 is a front elevational view thereof, the rear elevational view being a mirror image thereof;

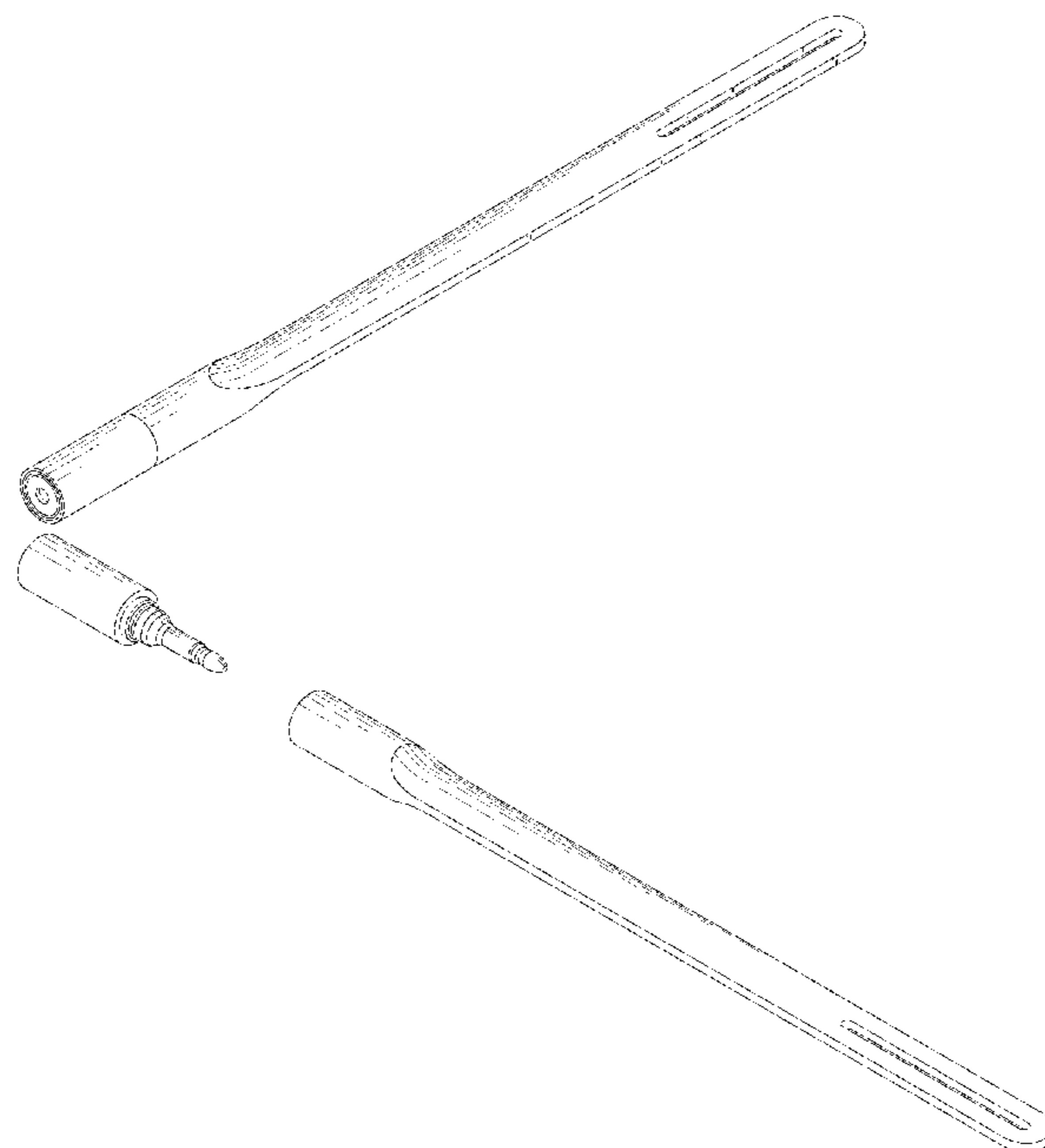
FIG. 3 is a left side elevational view thereof, the right side elevational view being a mirror image thereof;

FIG. 4 is a top plan view thereof;

FIG. 5 is a bottom plan view thereof; and,

FIG. 6 is an exploded bottom, front, side perspective view thereof.

1 Claim, 3 Drawing Sheets



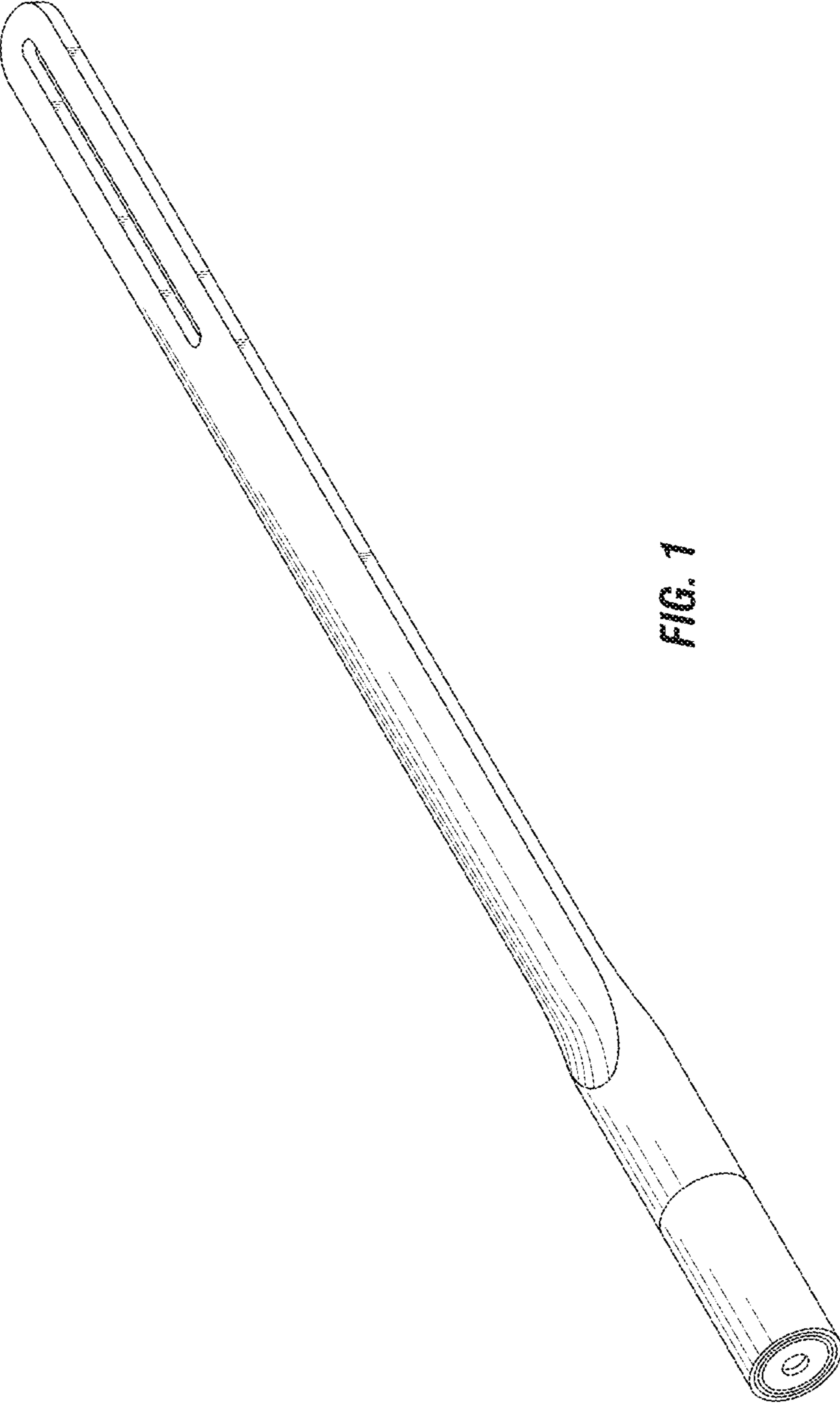


FIG. 1

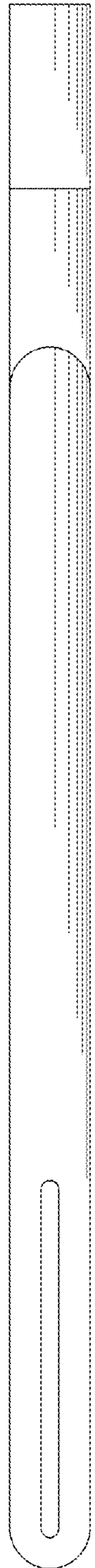


FIG. 2

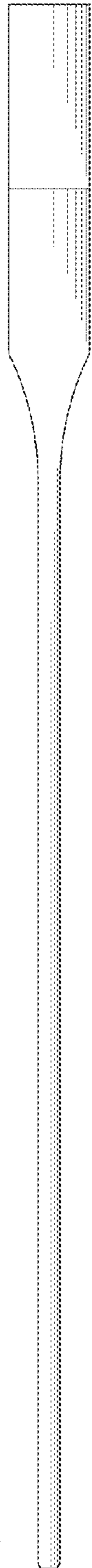


FIG. 3

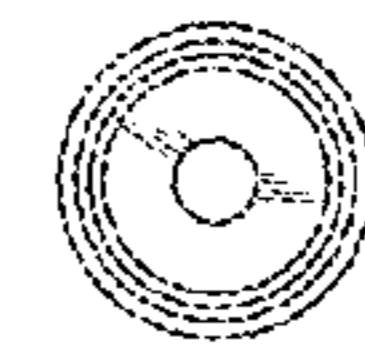


FIG. 4

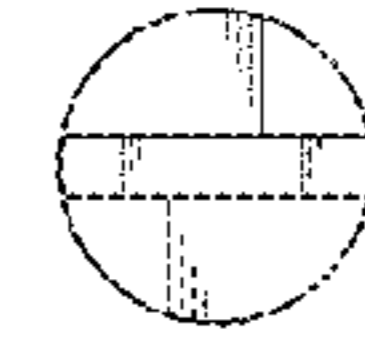


FIG. 5

