



US00D715980S

(12) **United States Design Patent**
Ueda et al.

(10) **Patent No.:** **US D715,980 S**
(45) **Date of Patent:** **** Oct. 21, 2014**

(54) **HEADLAMP FOR A BICYCLE**

(56) **References Cited**

(71) Applicant: **Cateye Co., Ltd**, Osaka (JP)

U.S. PATENT DOCUMENTS

(72) Inventors: **Takashi Ueda**, Osaka (JP); **Toshiyuki Nagano**, Osaka (JP)

D540,966 S	4/2007	Ueda	
D560,834 S *	1/2008	Nagano	D26/28
D584,840 S *	1/2009	Okuda et al.	D26/28
D678,562 S *	3/2013	Chan	D26/28

(73) Assignee: **Cateye Co., Ltd.**, Higashisumiyoshi-ku, Osaka-shi, Osaka

FOREIGN PATENT DOCUMENTS

(**) Term: **14 Years**

JP	1481724	10/2013
TW	D126504	12/2008
TW	D139044	2/2011
TW	D149714	10/2012

(21) Appl. No.: **29/460,245**

* cited by examiner

(22) Filed: **Jul. 9, 2013**

Primary Examiner — Marcus Jackson

(30) **Foreign Application Priority Data**

(74) *Attorney, Agent, or Firm* — Olson & Cepuritis, Ltd.

Jan. 17, 2013 (JP) 2013000723

(57) **CLAIM**

(51) **LOC (10) Cl.** **26-06**

The ornamental design for a headlamp for a bicycle, as shown.

(52) **U.S. Cl.**

USPC **D26/28**

(58) **Field of Classification Search**

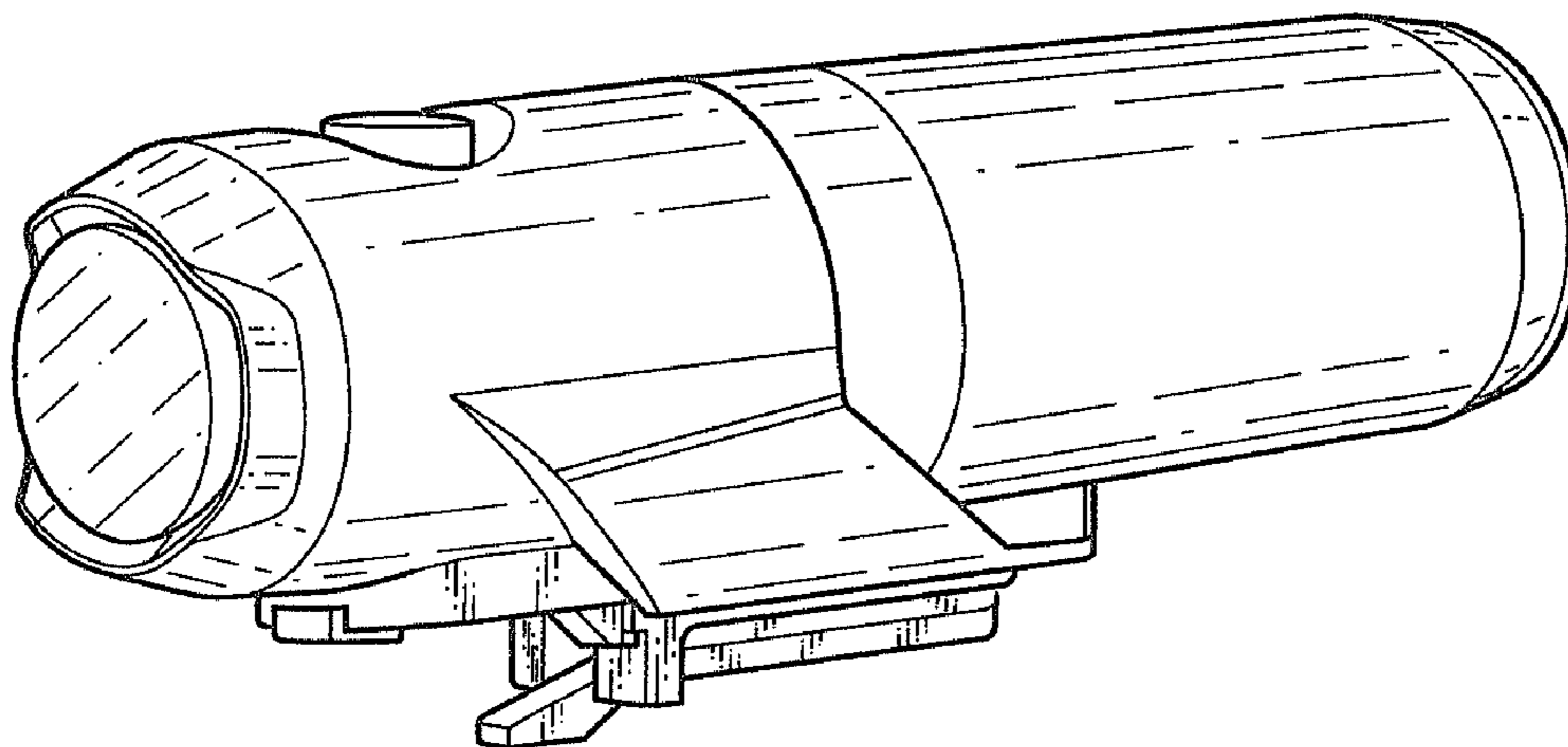
USPC D26/28-36; 362/459-468, 475-478, 362/485-487

DESCRIPTION

FIG. 1 is a perspective view of a headlamp for a bicycle showing our new design;
FIG. 2 is a front view thereof;
FIG. 3 is a rear view thereof;
FIG. 4 is a top plan view thereof;
FIG. 5 is a bottom plan view thereof;
FIG. 6 is a right side view thereof; and,
FIG. 7 is a left side view thereof.

See application file for complete search history.

1 Claim, 5 Drawing Sheets



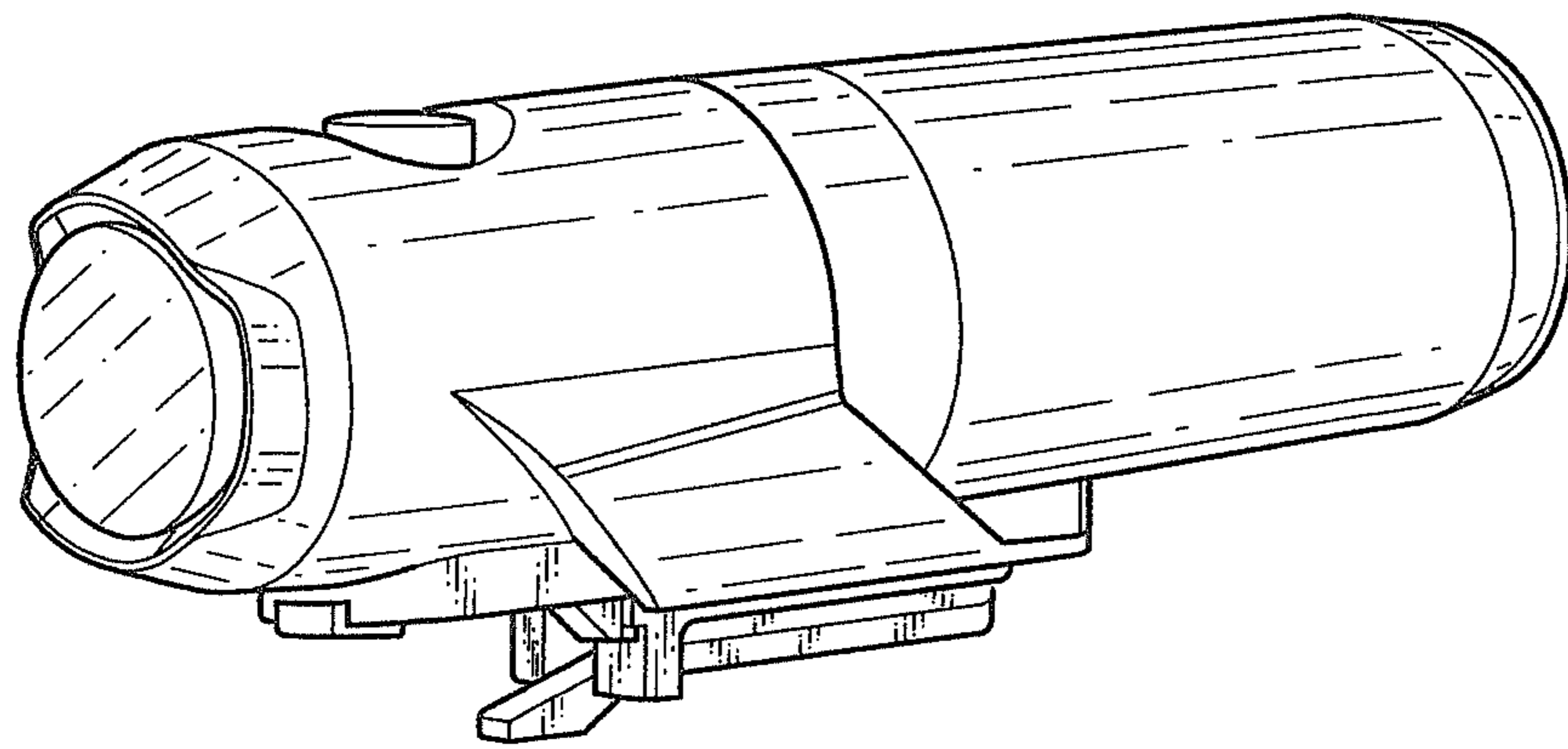


Fig. 1

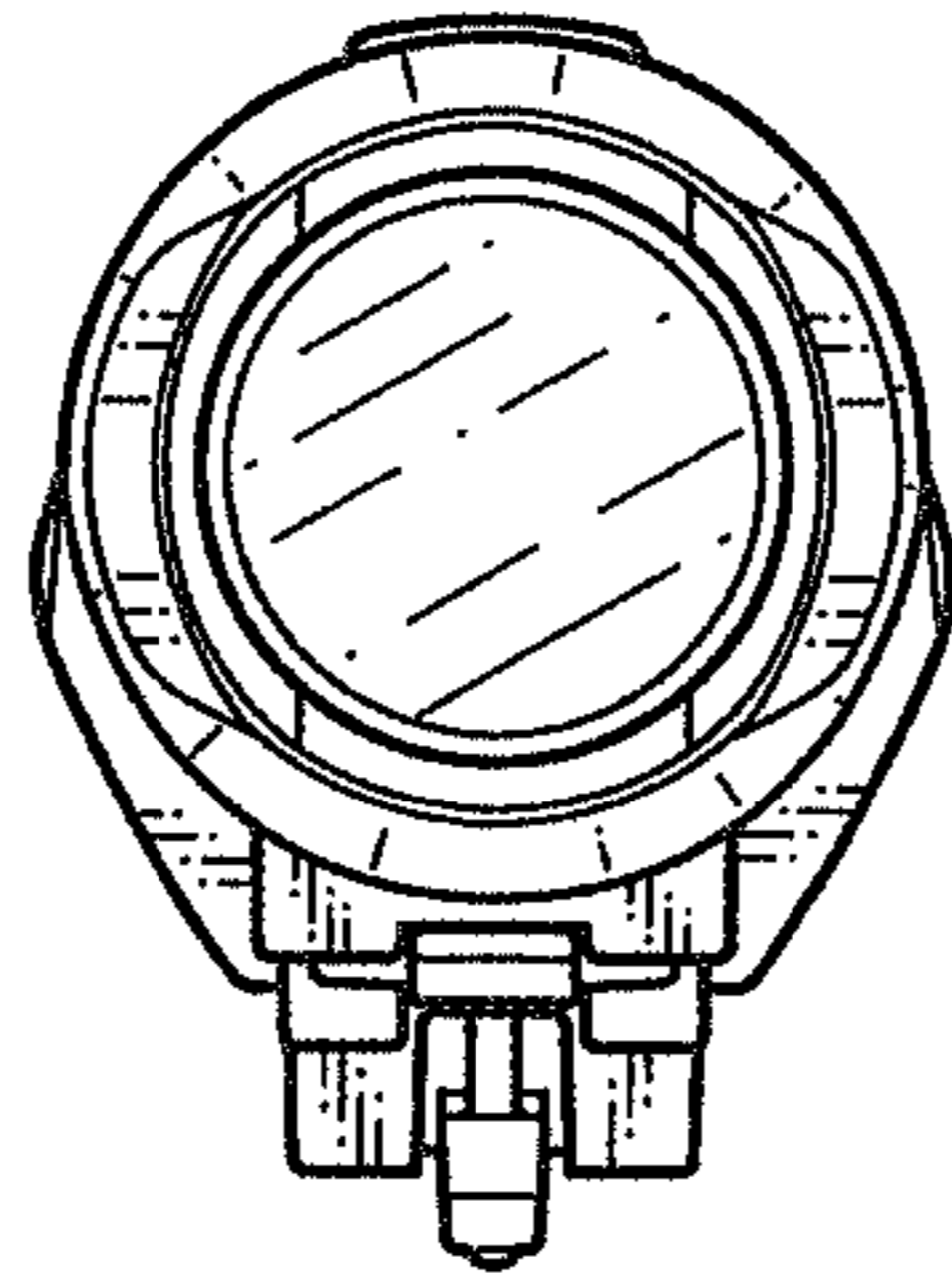


Fig. 2

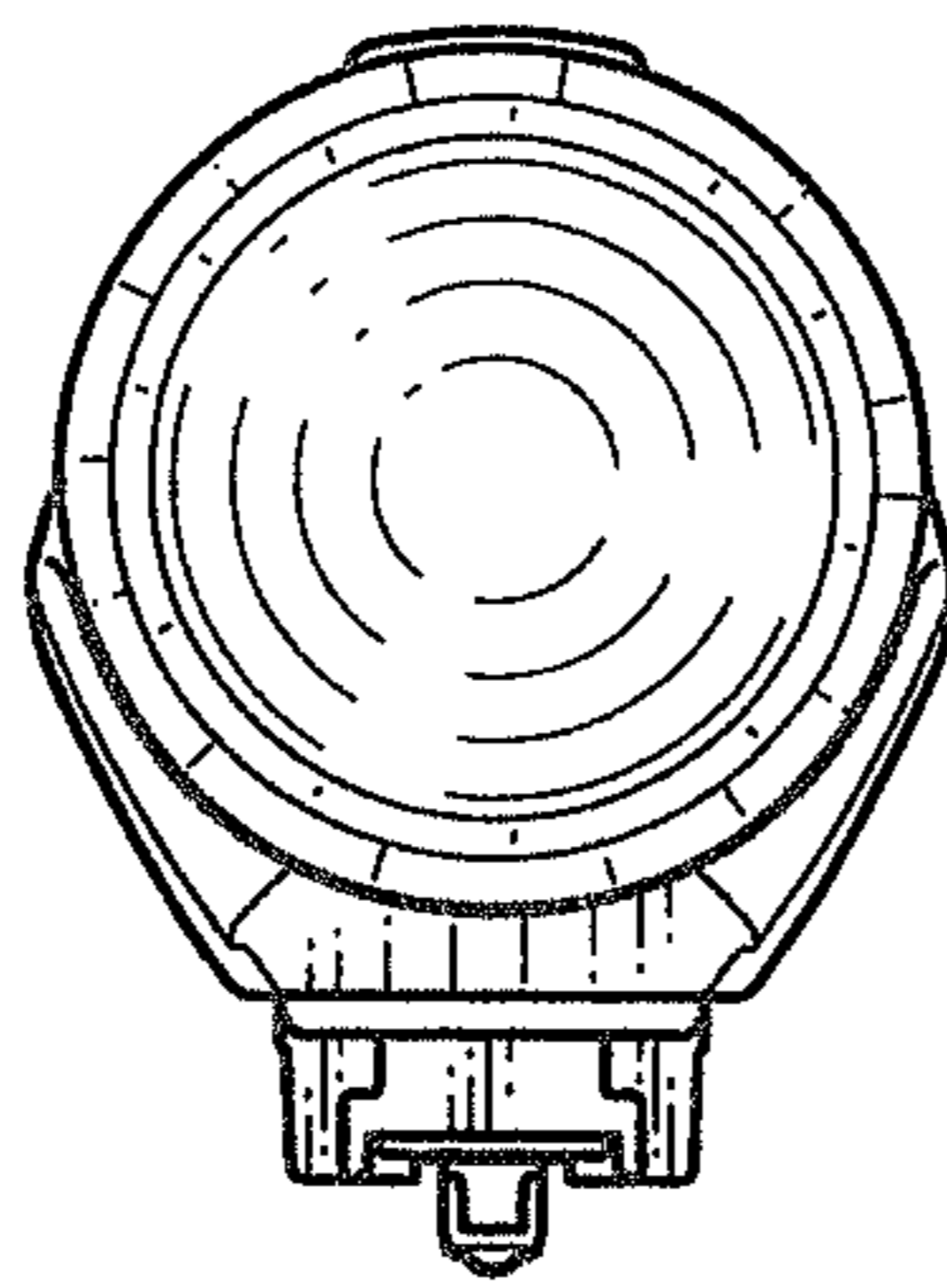


Fig. 3

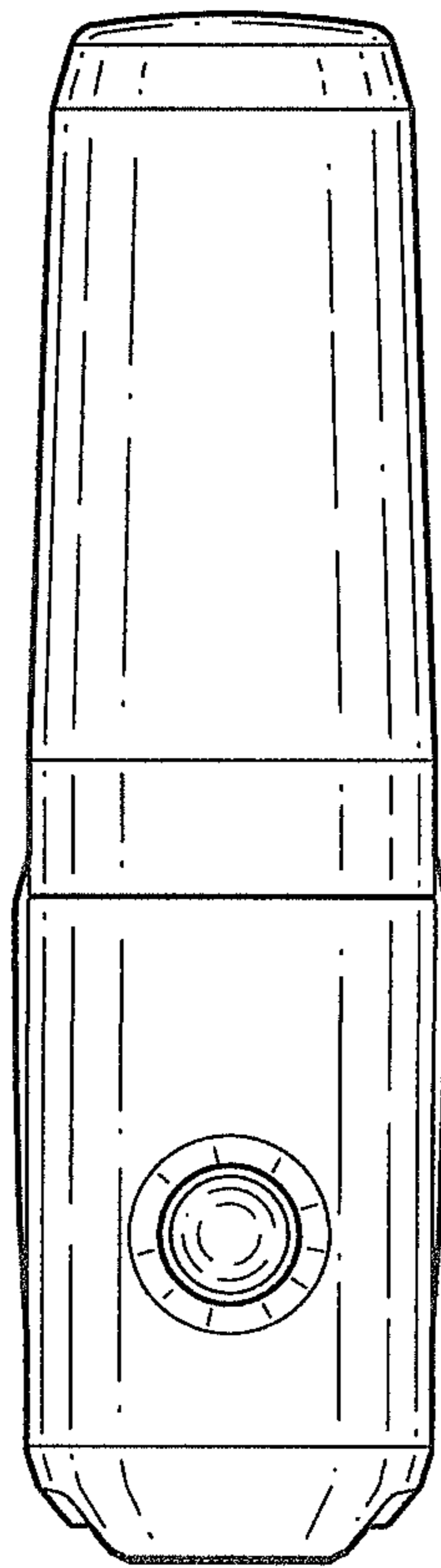


Fig. 4

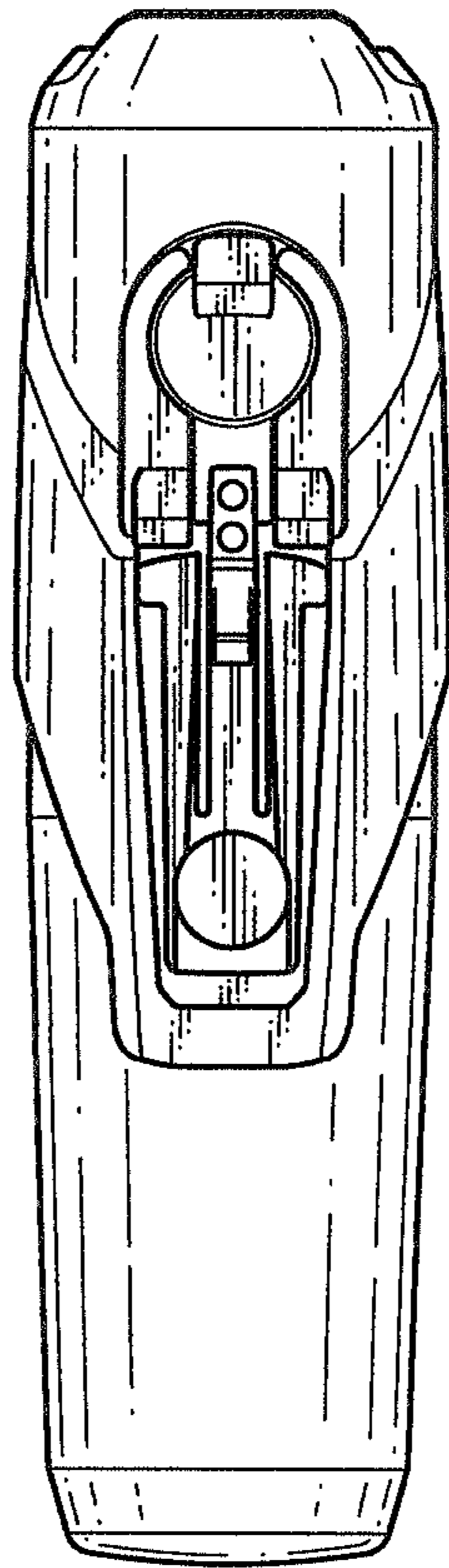


Fig. 5

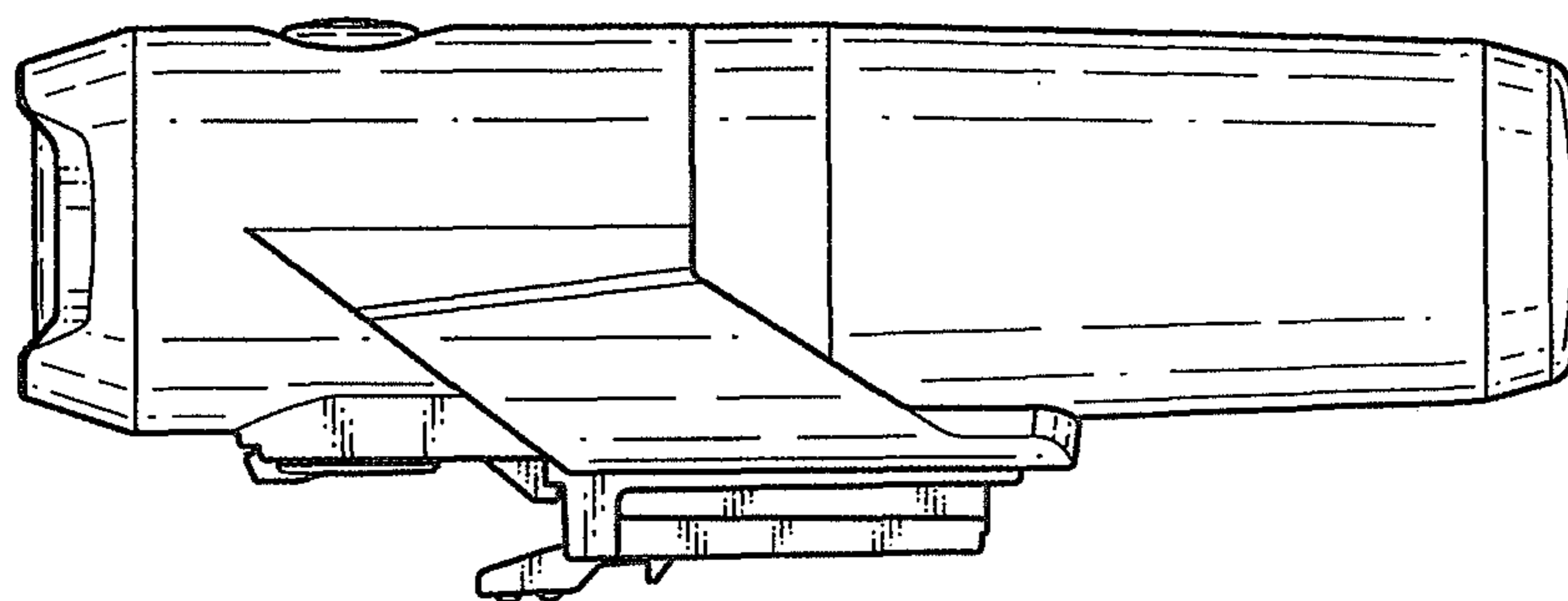


Fig. 6

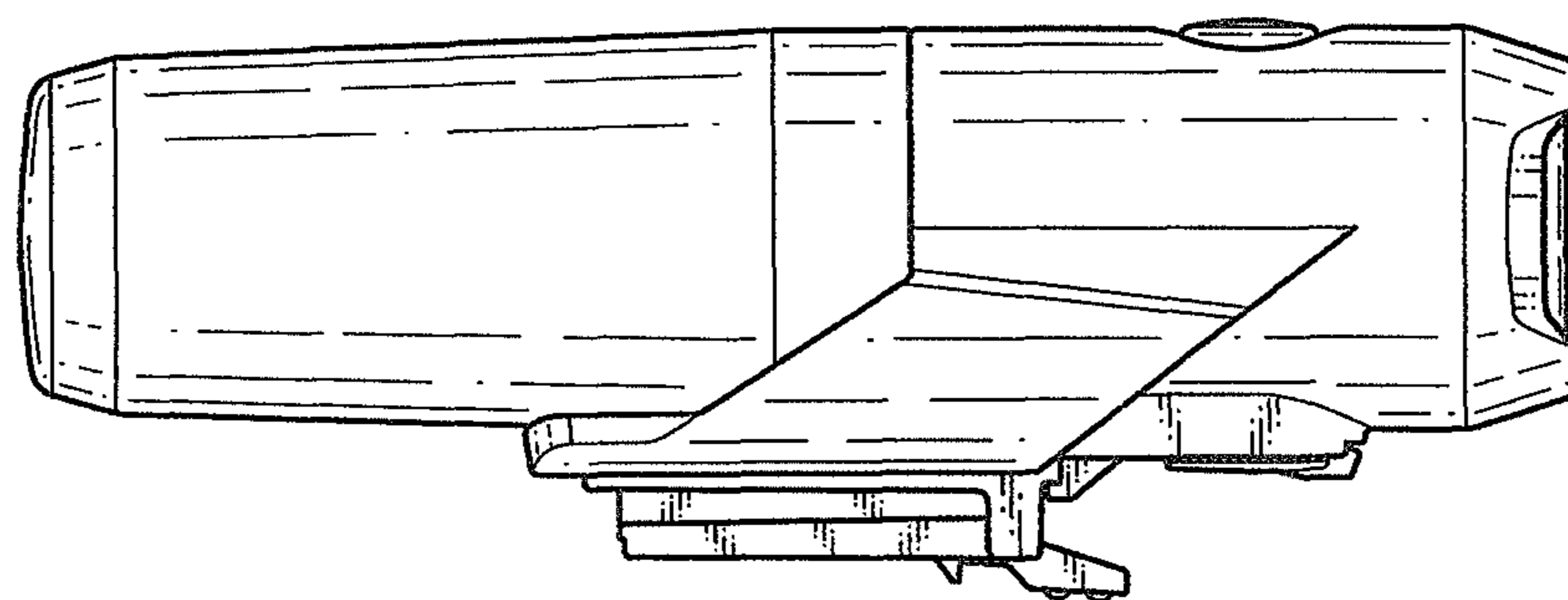


Fig. 7