



US00D715979S

(12) **United States Design Patent**  
**Loeb**

(10) **Patent No.:** **US D715,979 S**  
(45) **Date of Patent:** **\*\* Oct. 21, 2014**

(54) **VEHICLE REARLIGHT**  
(71) Applicant: **GM Global Technology Operations LLC**, Detroit, MI (US)  
(72) Inventor: **Niels Loeb**, Wiesbaden (DE)  
(73) Assignee: **GM Global Technology Operations LLC**, Detroit, MI (US)

D605,793 S \* 12/2009 Weil ..... D26/28  
D620,157 S \* 7/2010 Frenzel et al. .... D26/28  
D702,381 S \* 4/2014 Katou et al. .... D26/28

(\*\*) Term: **14 Years**

(21) Appl. No.: **29/457,762**

(22) Filed: **Jun. 12, 2013**

(51) **LOC (10) Cl.** ..... **26-06**

(52) **U.S. Cl.**  
USPC ..... **D26/28**

(58) **Field of Classification Search**  
USPC ..... D26/28-36; 362/459-468, 475-478,  
362/485-487

See application file for complete search history.

(56) **References Cited**

**U.S. PATENT DOCUMENTS**

D565,211 S \* 3/2008 Haller et al. .... D26/28  
D602,616 S \* 10/2009 Okamura et al. .... D26/28

**OTHER PUBLICATIONS**

Thole, Louis D., Vehicle Rear Taillamp; Design U.S. Appl. No. 29/473,980, filed Nov. 27, 2013; 3 pages.

\* cited by examiner

*Primary Examiner* — Marcus Jackson

(74) *Attorney, Agent, or Firm* — Reising Ethington P.C.

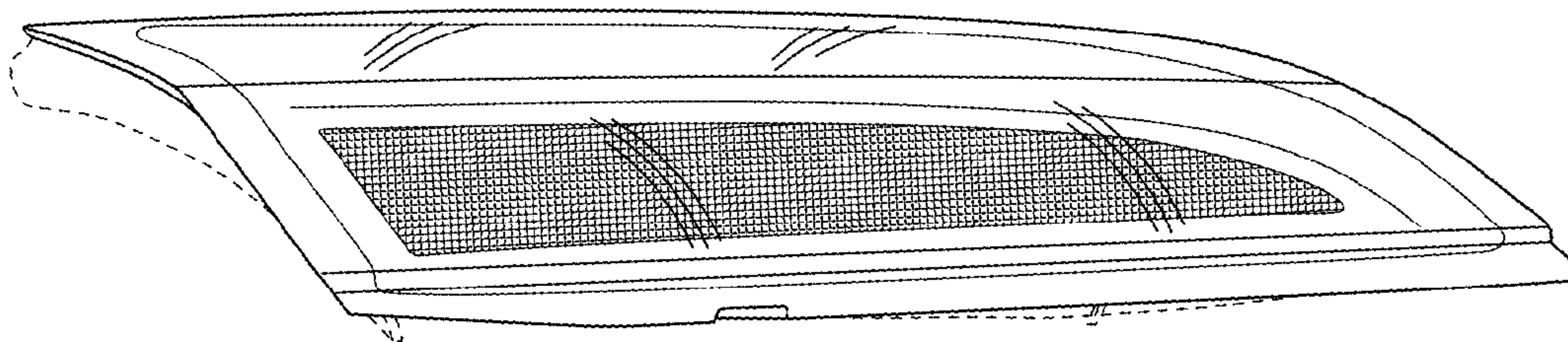
(57) **CLAIM**

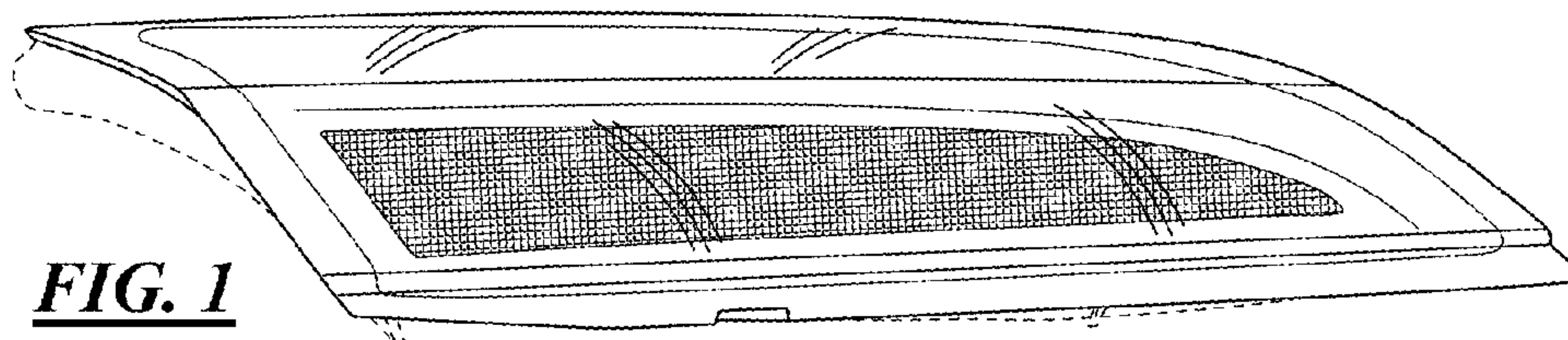
The ornamental design for a vehicle rearlight, as shown and described.

**DESCRIPTION**

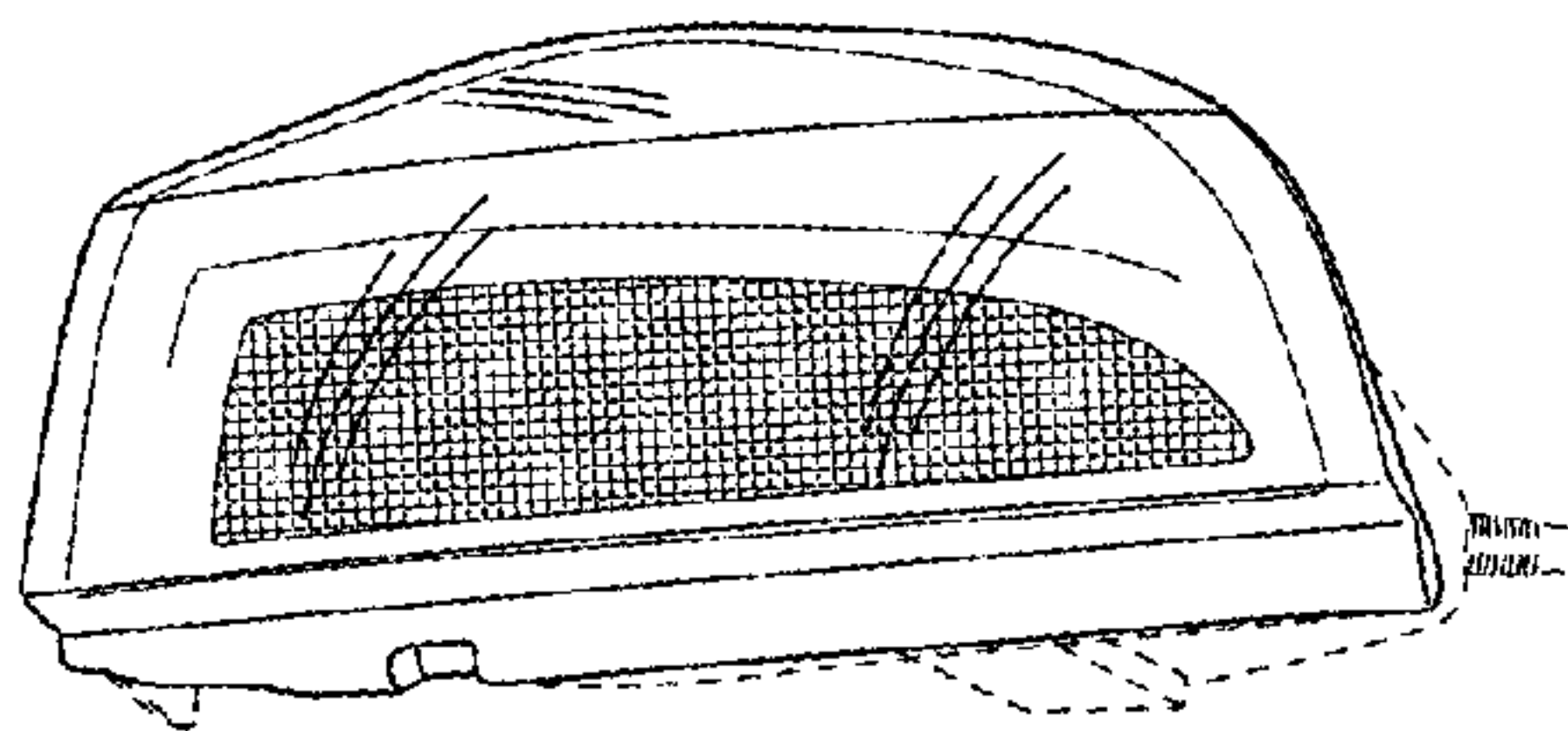
FIG. 1 is a front view of a vehicle rearlight;  
FIG. 2 is a side view of the vehicle rearlight;  
FIG. 3 is another side view of the vehicle rearlight;  
FIG. 4 is a rear view of the vehicle rearlight;  
FIG. 5 is another side view of the vehicle rearlight;  
FIG. 6 is another side view of the vehicle rearlight;  
FIG. 7 is a top view of the vehicle rearlight; and,  
FIG. 8 is a bottom view of the vehicle rearlight.  
In the drawings, the portions shown by broken lines form no part of the claimed design.

**1 Claim, 3 Drawing Sheets**

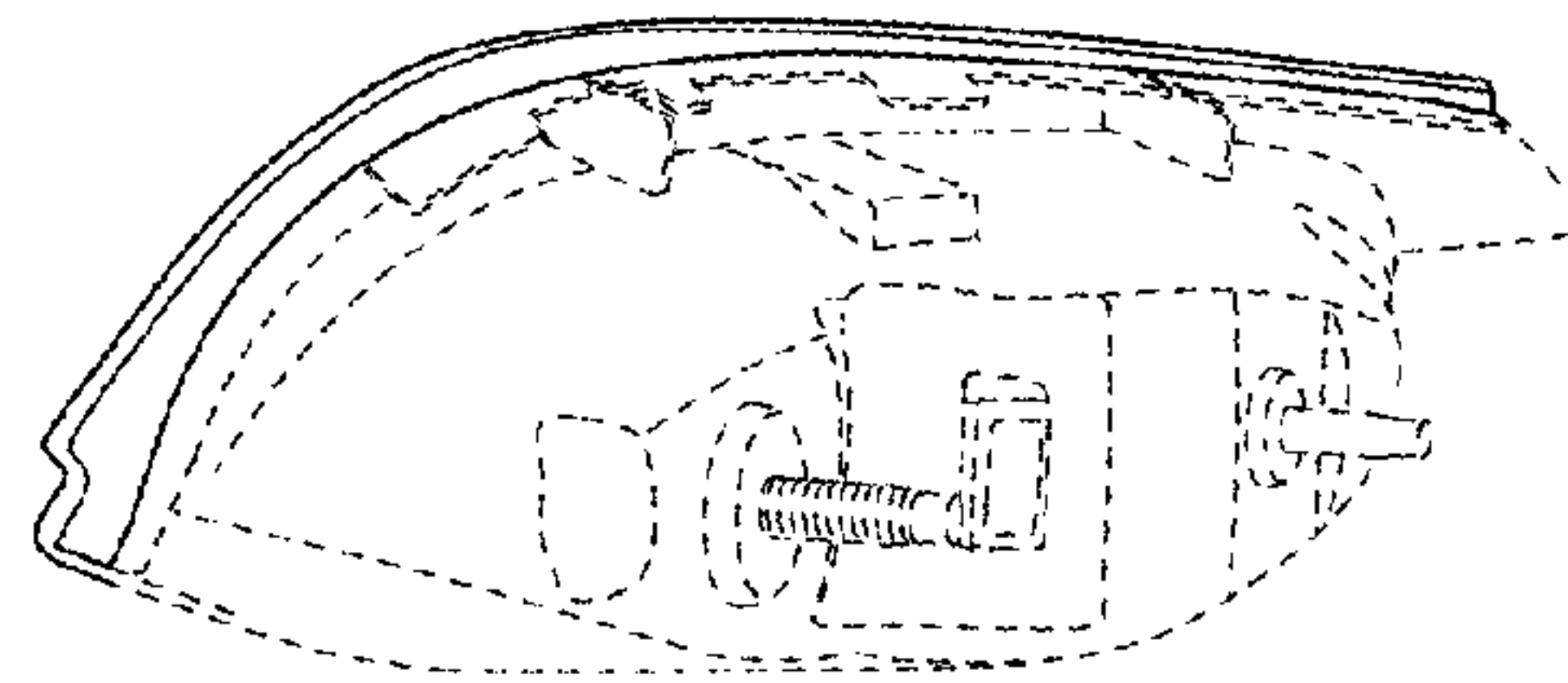




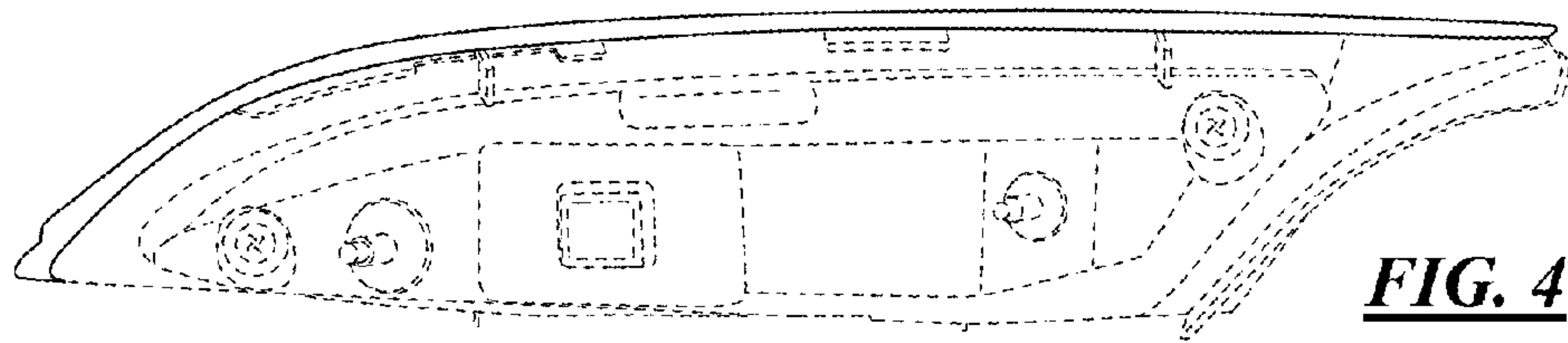
**FIG. 1**



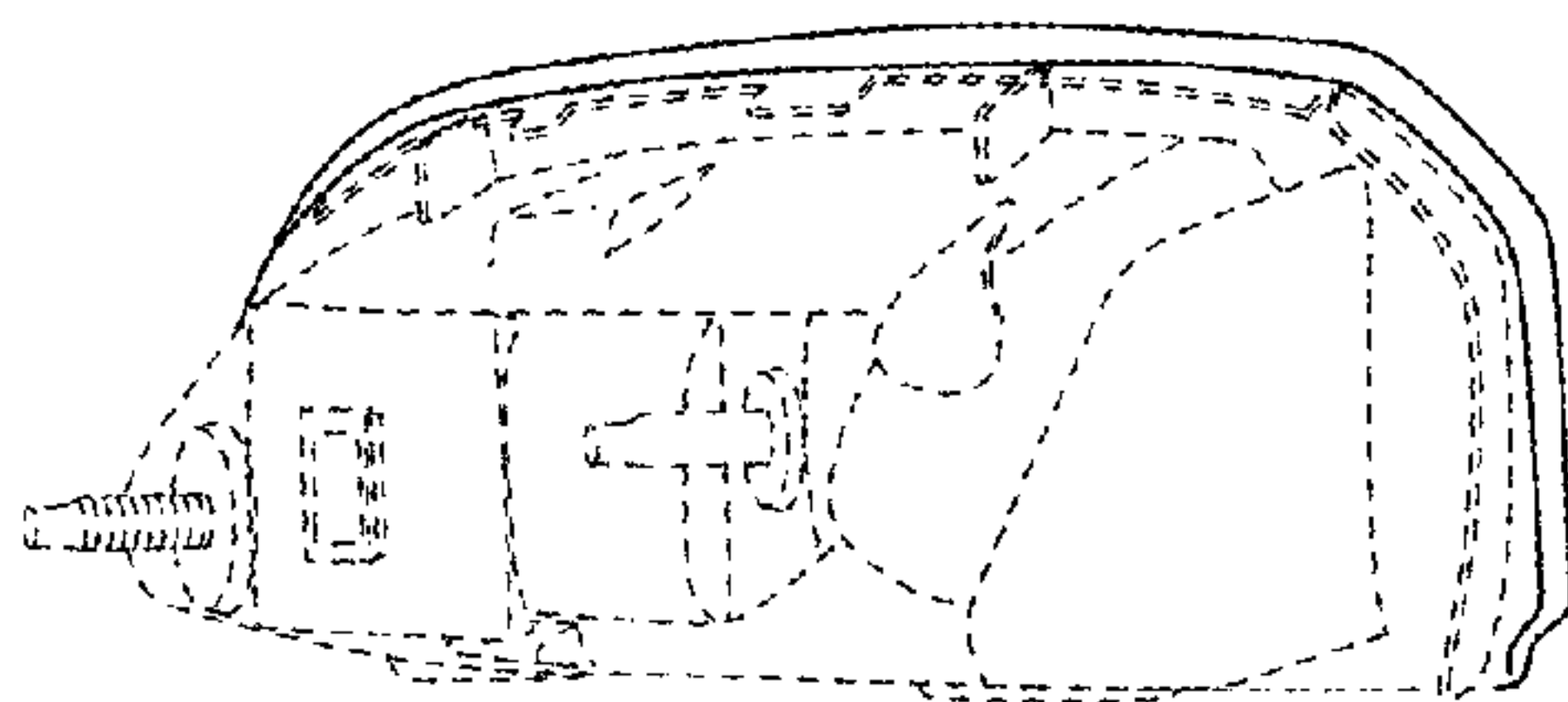
**FIG. 2**



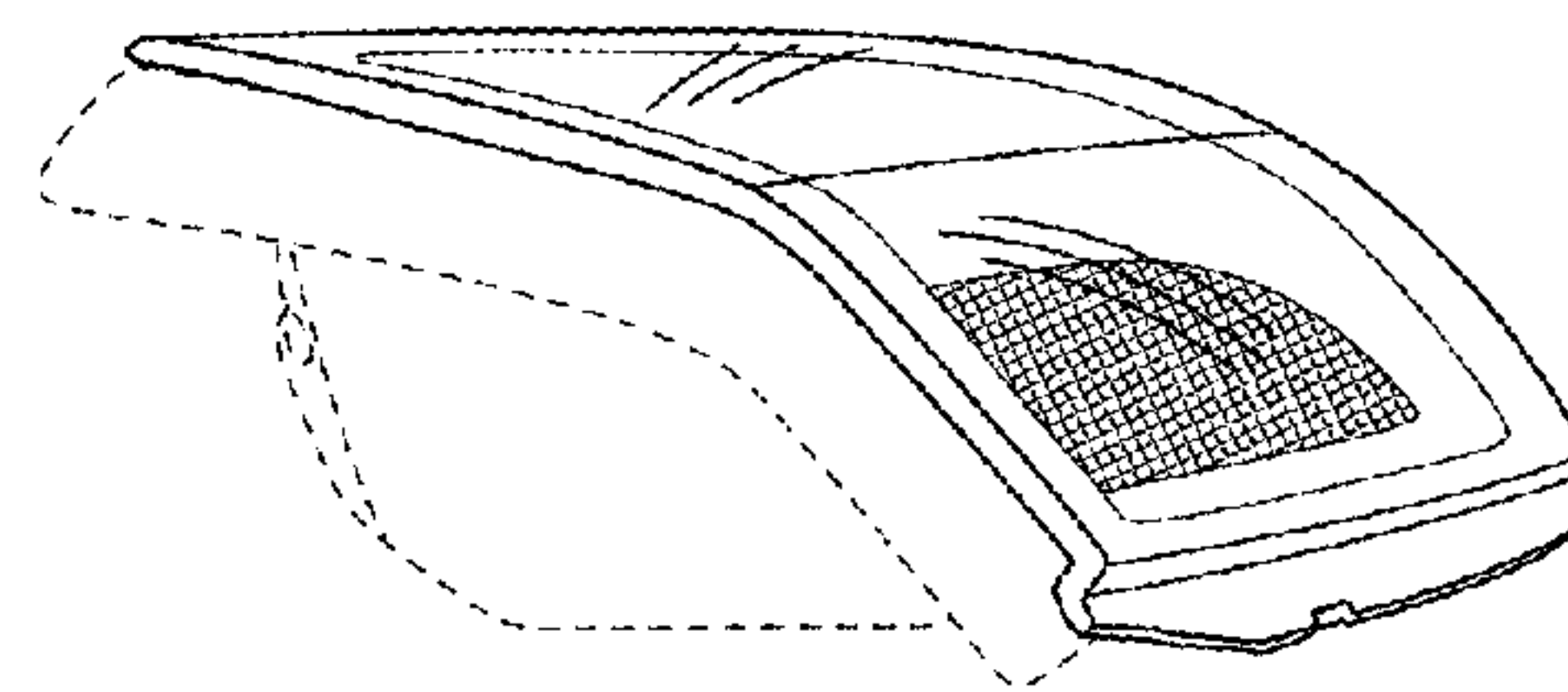
**FIG. 3**



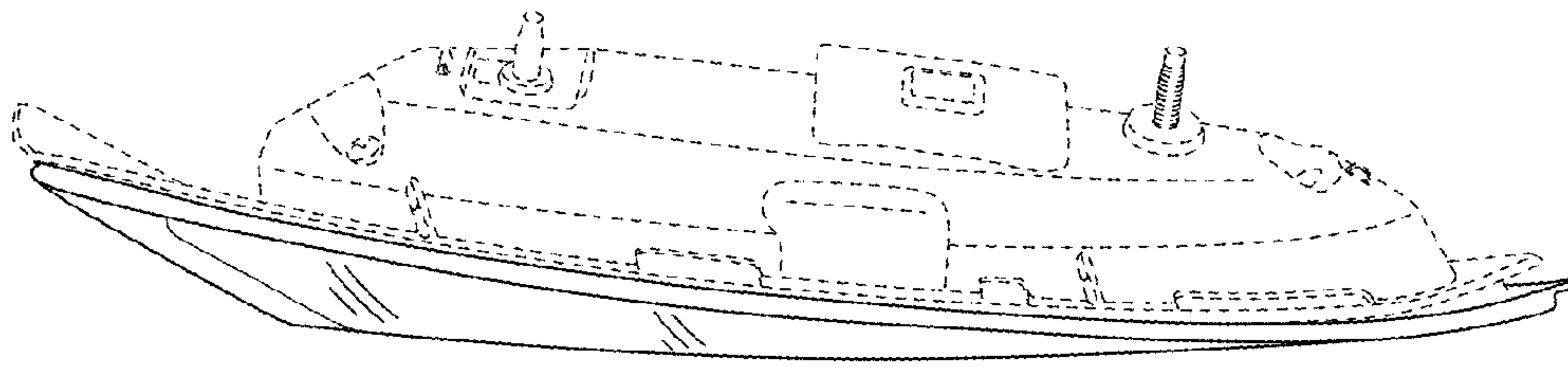
**FIG. 4**



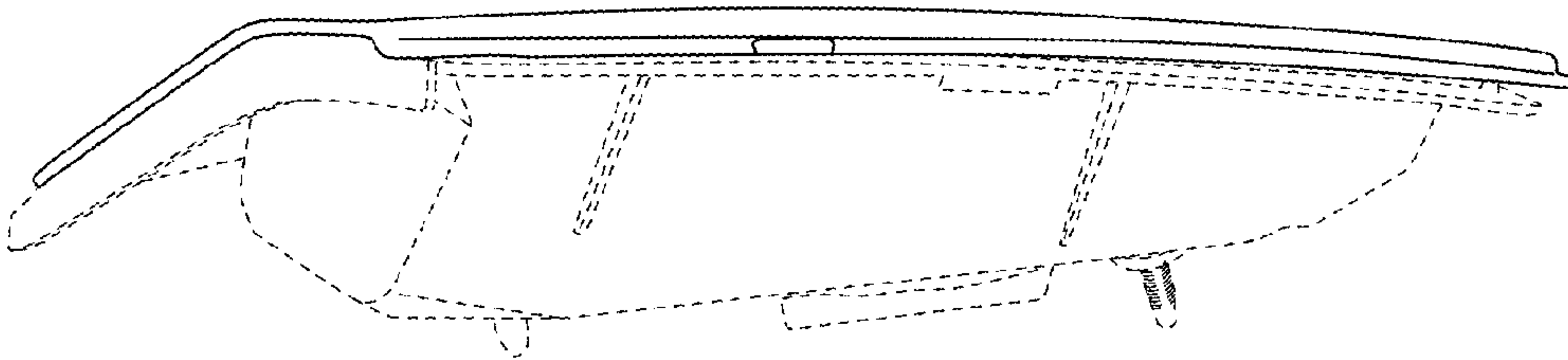
**FIG. 5**



**FIG. 6**



**FIG. 7**



**FIG. 8**