



US00D715976S

(12) **United States Design Patent**
Chou et al.

(10) **Patent No.:** **US D715,976 S**
(45) **Date of Patent:** **** Oct. 21, 2014**

(54) **VEHICLE LAMP**

(71) Applicants: **Chi-Hsuan Chou**, Tainan (TW);
Chun-Chih Chen, Tainan (TW)

(72) Inventors: **Chi-Hsuan Chou**, Tainan (TW);
Chun-Chih Chen, Tainan (TW)

(73) Assignee: **Lucidity Enterprise Co., Ltd.**, Annan
District, Tainan (TW)

(**) Term: **14 Years**

(21) Appl. No.: **29/445,043**

(22) Filed: **Feb. 7, 2013**

(51) **LOC (10) Cl.** **26-06**

(52) **U.S. Cl.**
USPC **D26/28**

(58) **Field of Classification Search**
USPC D26/28-36; 362/459-468, 475-478,
362/485-487

See application file for complete search history.

(56) **References Cited**

U.S. PATENT DOCUMENTS

D570,009 S *	5/2008	Kani et al.	D26/28
D601,727 S *	10/2009	Huang	D26/28
D605,789 S *	12/2009	Ko	D26/28
D626,670 S *	11/2010	Metzger et al.	D26/28
D657,081 S *	4/2012	Alisaukas et al.	D26/28
D670,839 S *	11/2012	Smarslik	D26/28
D693,035 S *	11/2013	Datz et al.	D26/28

* cited by examiner

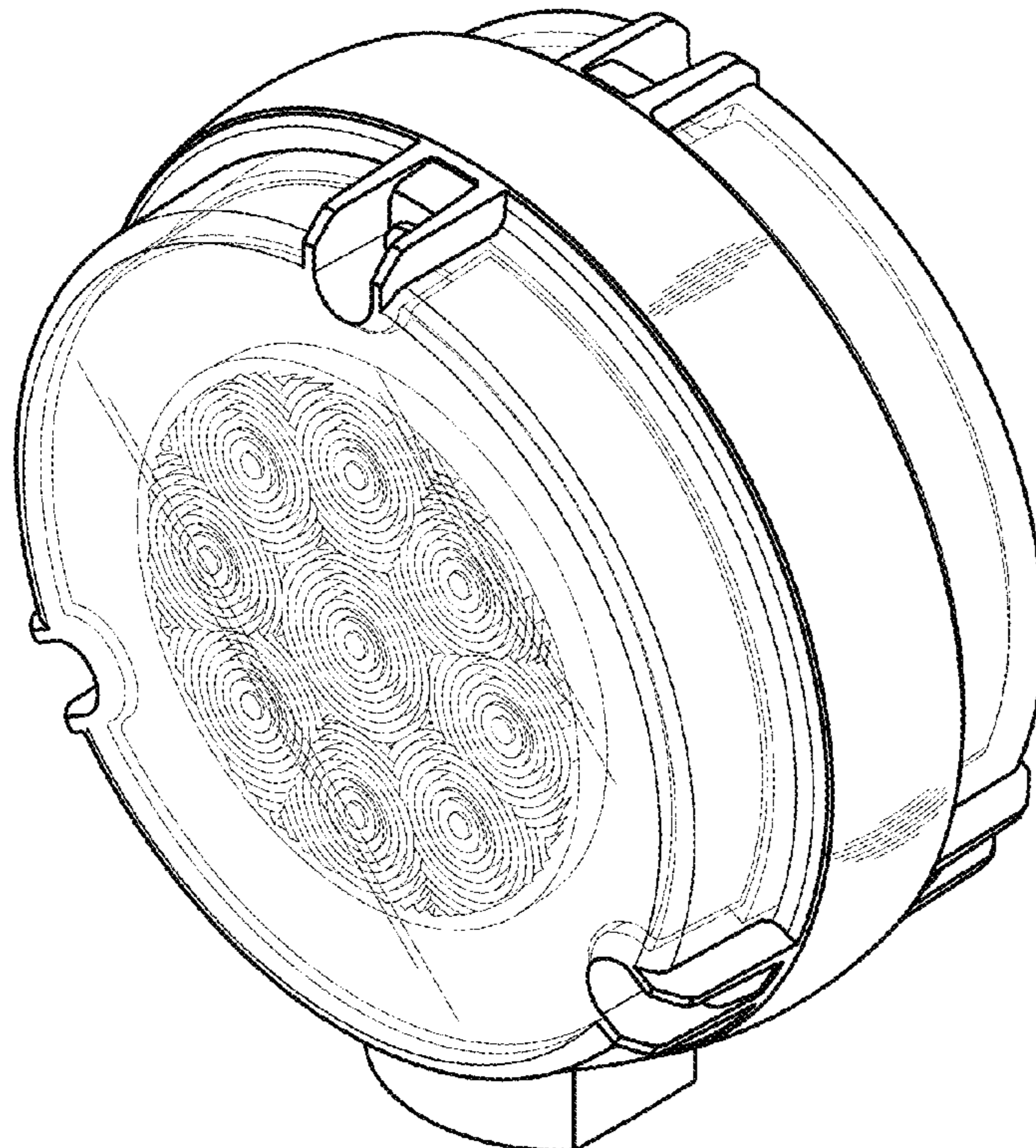
Primary Examiner — Marcus Jackson

(57) **CLAIM**
The ornamental design for a vehicle lamp, as shown and described.

DESCRIPTION

FIG. 1 is a perspective view of a vehicle lamp showing my design;
FIG. 2 is a front elevational view thereof;
FIG. 3 is a rear elevational view thereof;
FIG. 4 is a left side elevational view thereof;
FIG. 5 is a right side elevational view thereof;
FIG. 6 is a top plan view thereof; and,
FIG. 7 is a bottom plan view thereof.
The ornamental design which is claimed is shown in solid lines in the drawings.

1 Claim, 7 Drawing Sheets



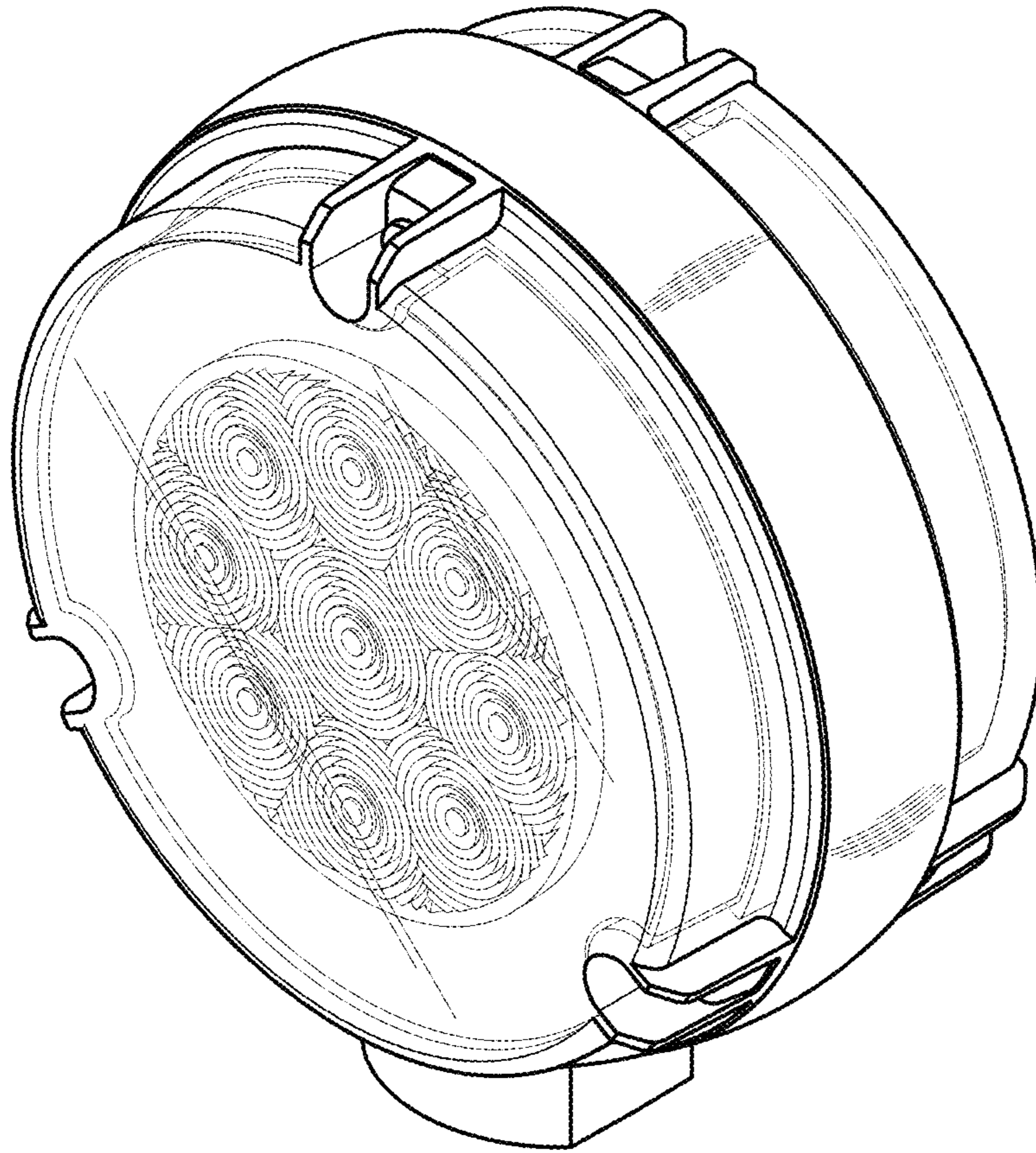


FIG. 1

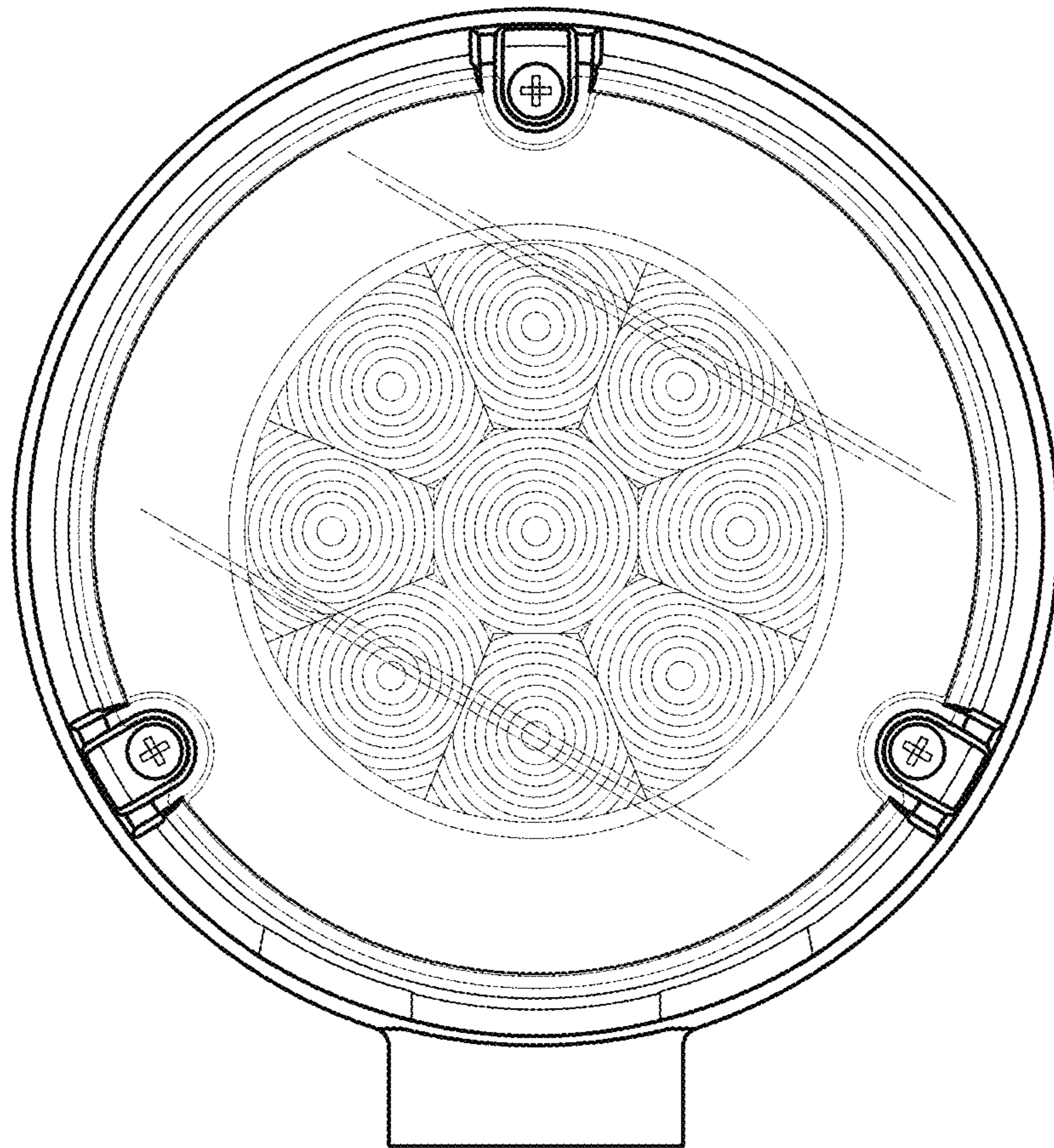


FIG.2

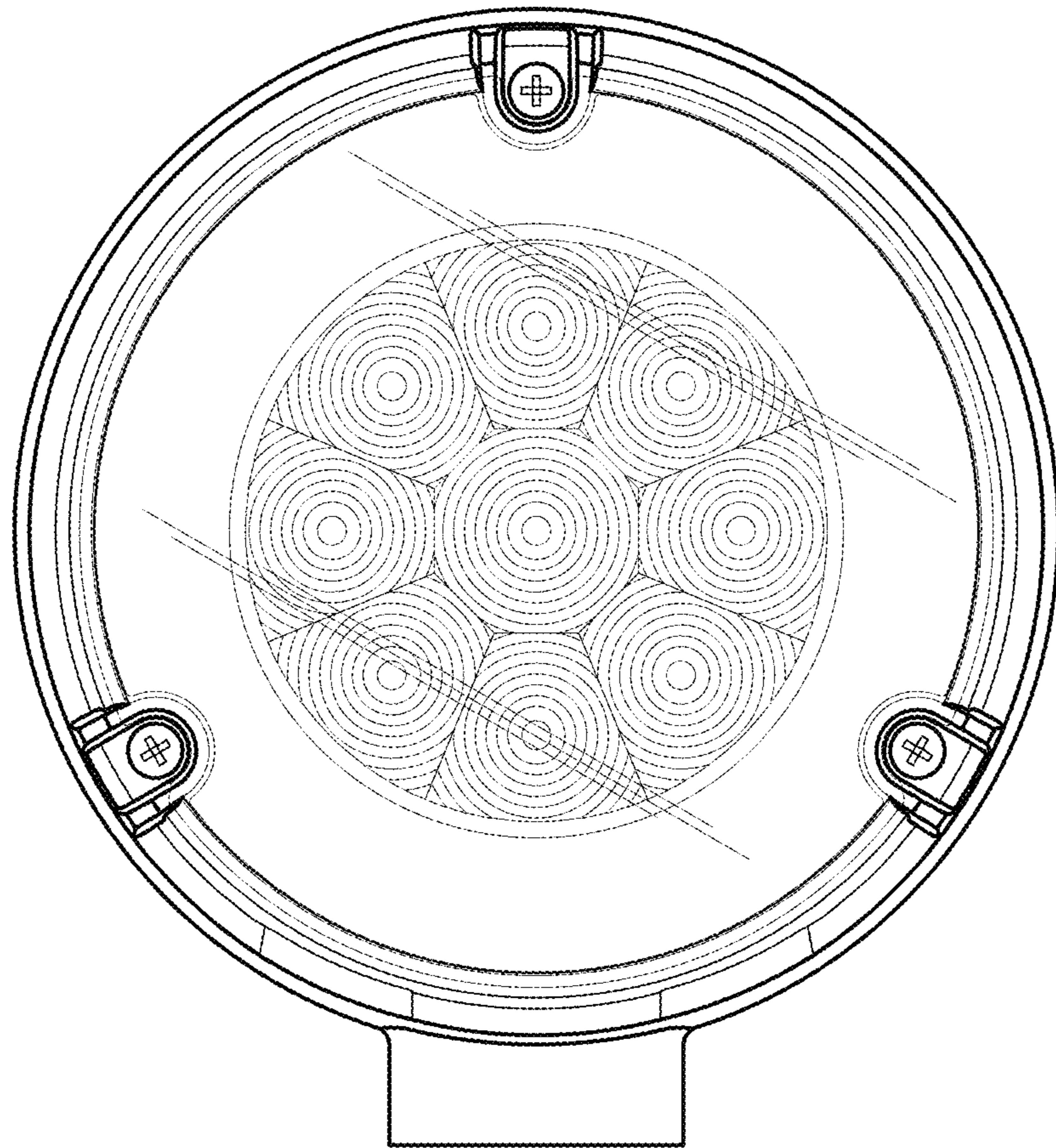


FIG.3

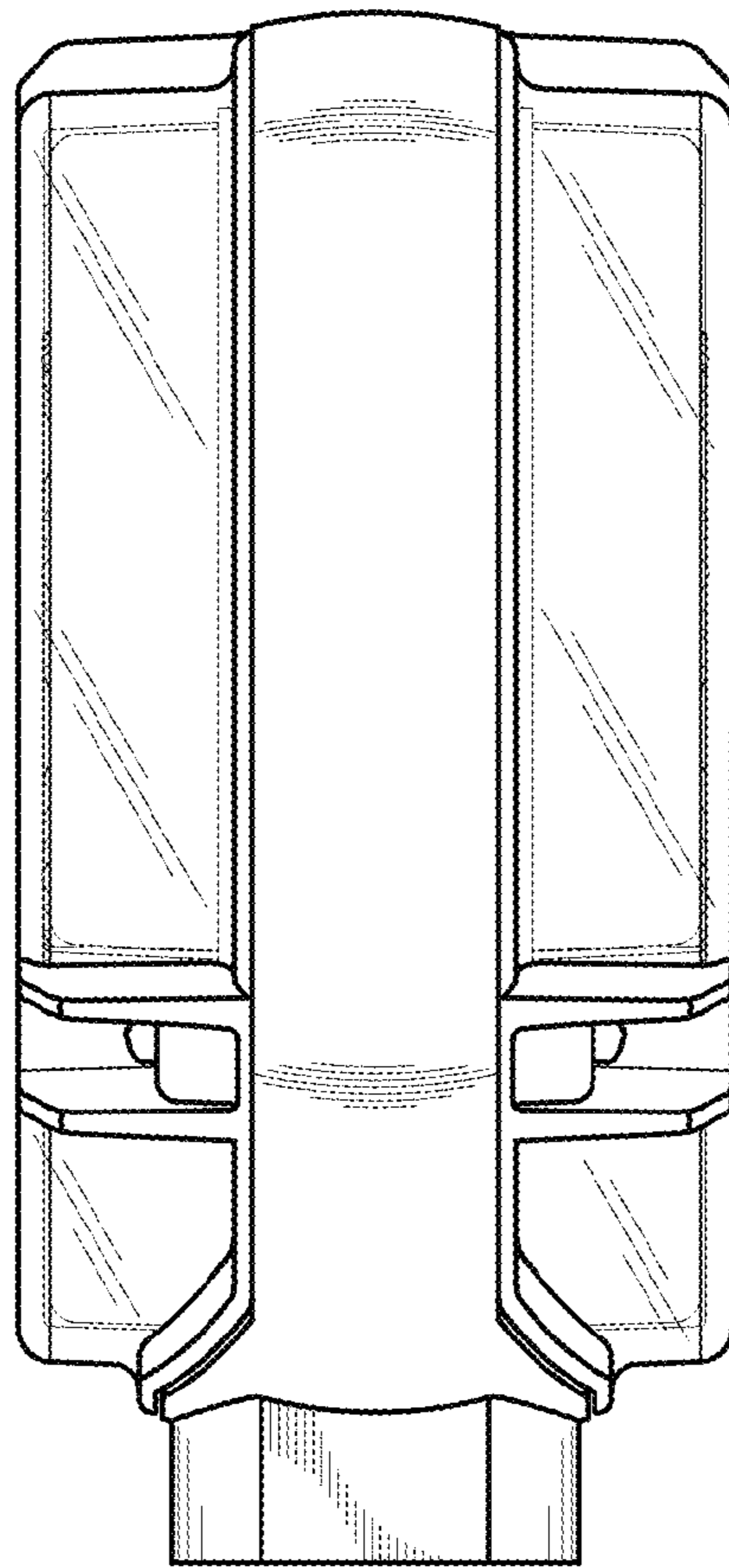


FIG.4

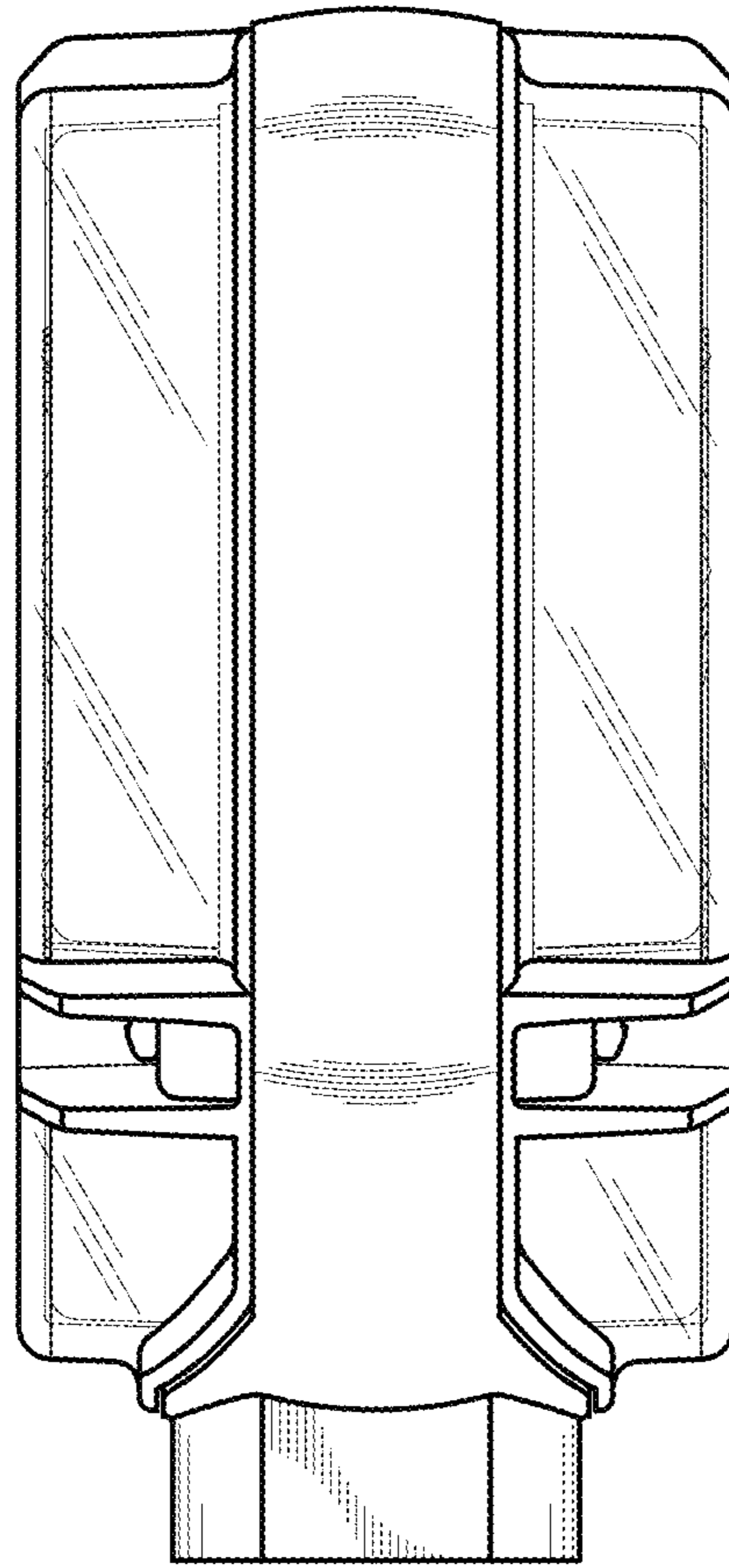


FIG. 5

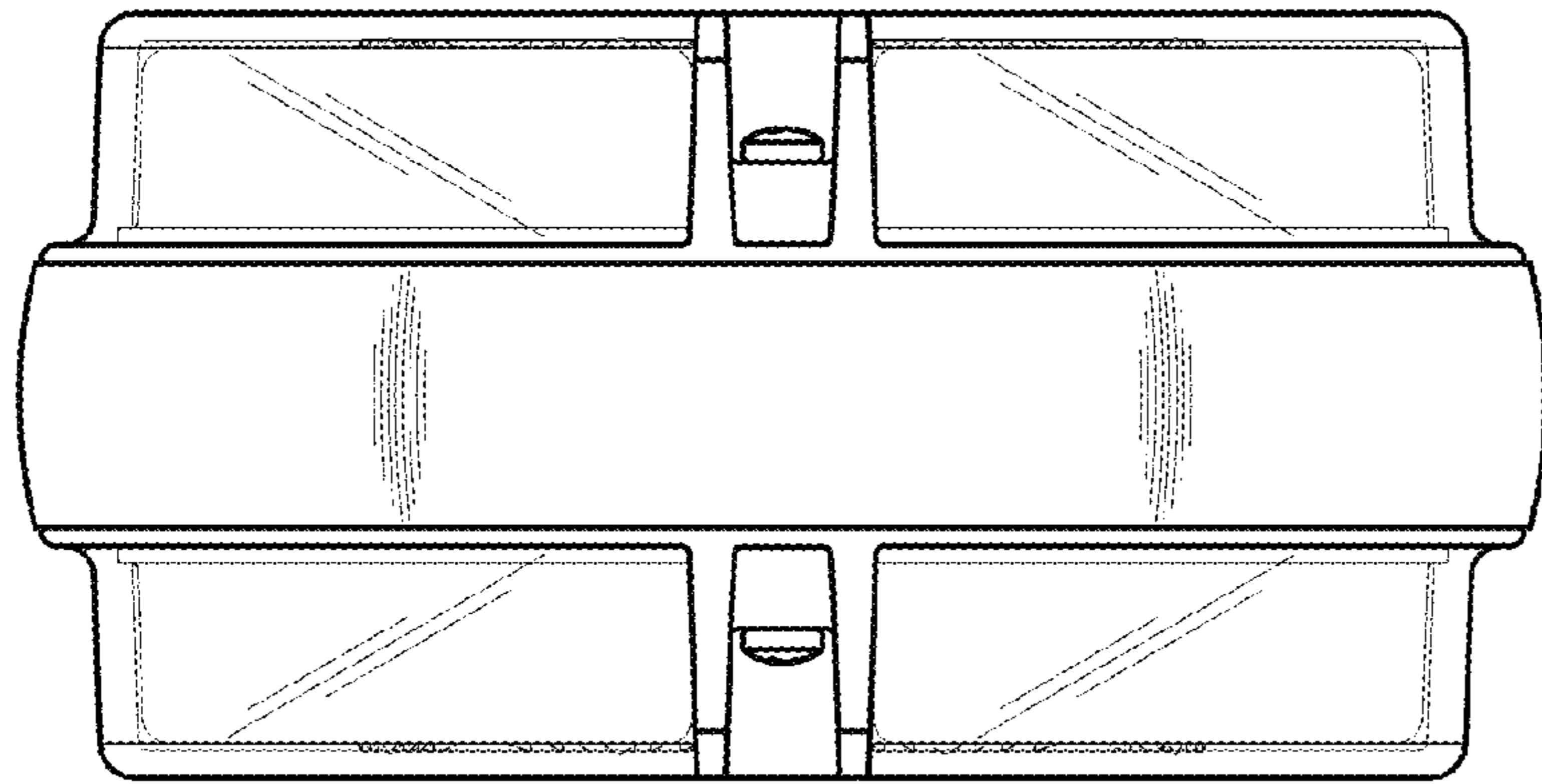


FIG.6

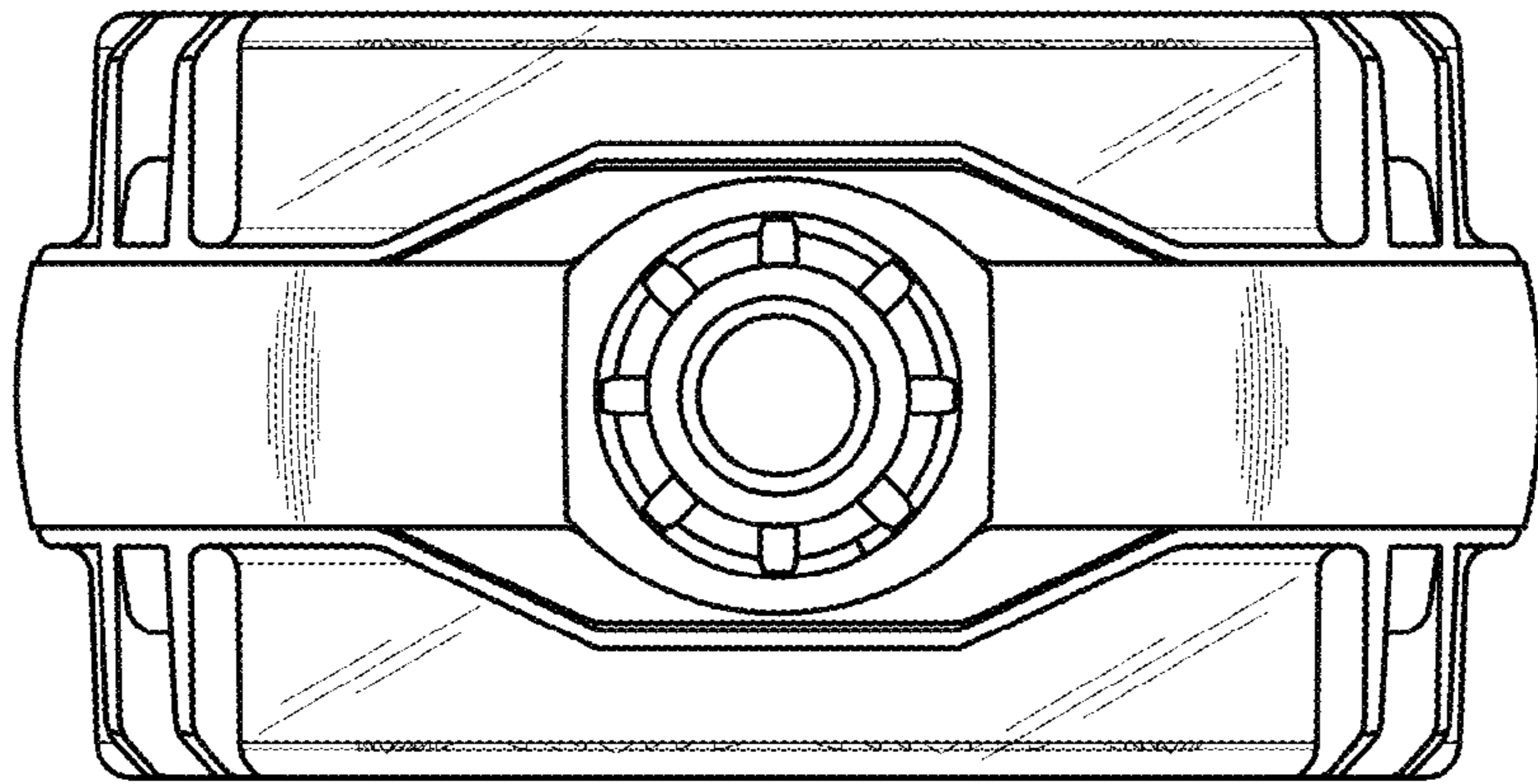


FIG. 7