



US00D715975S

(12) **United States Design Patent**
Teranishi et al.

(10) **Patent No.:** **US D715,975 S**
(45) **Date of Patent:** **** Oct. 21, 2014**

(54) **LAMP FOR A VEHICLE**

(75) Inventors: **Yasuo Teranishi**, Shizuoka (JP);
Tetsuaki Inaba, Shizuoka (JP); **Kuniaki**
Matsueda, Shizouka (JP)

(73) Assignee: **Koito Manufacturing Co., Ltd.**, Tokyo
(JP)

(**) Term: **14 Years**

(21) Appl. No.: **29/420,525**

(22) Filed: **May 10, 2012**

(30) **Foreign Application Priority Data**

Nov. 11, 2011 (JP) 2011-026103

(51) **LOC (10) Cl.** **26-06**

(52) **U.S. Cl.**
USPC **D26/28**

(58) **Field of Classification Search**
USPC D26/28-36; 362/459-468, 475-478,
362/485-487

See application file for complete search history.

(56) **References Cited**

U.S. PATENT DOCUMENTS

D601,727 S *	10/2009	Huang	D26/28
D605,789 S *	12/2009	Ko	D26/28
D626,670 S *	11/2010	Metzger et al.	D26/28
D657,081 S *	4/2012	Alisaukas et al.	D26/28
D670,839 S *	11/2012	Smarslik	D26/28
D694,920 S *	12/2013	Jurgens et al.	D26/28

* cited by examiner

Primary Examiner — Marcus Jackson

(74) *Attorney, Agent, or Firm* — Sughrue Mion, PLLC

(57) **CLAIM**

The ornamental design for a lamp for a vehicle, as shown and described.

DESCRIPTION

FIG. 1 is a perspective view of front, top and left side of a lamp for a vehicle according to our new design;

FIG. 2 is a front view thereof;

FIG. 3 is a rear view thereof;

FIG. 4 is a left side view thereof;

FIG. 5 is a right side view thereof;

FIG. 6 is a top view thereof;

FIG. 7 is a bottom view thereof; and,

FIG. 8 is a reference perspective view of usage.

The portions of the article in broken lines are shown for illustrative purposes only and form no part of the claimed design.

1 Claim, 8 Drawing Sheets

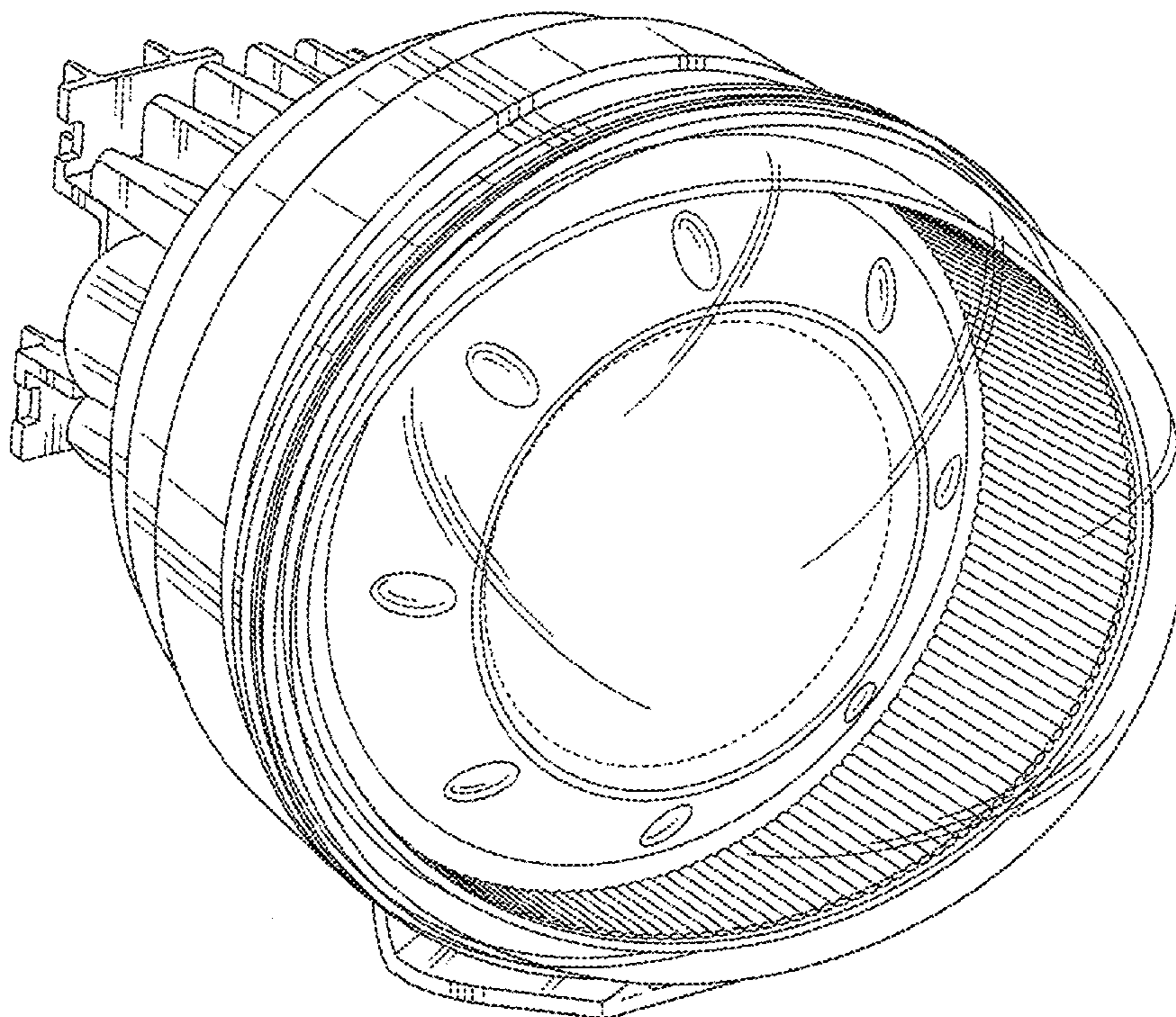


Fig. 1

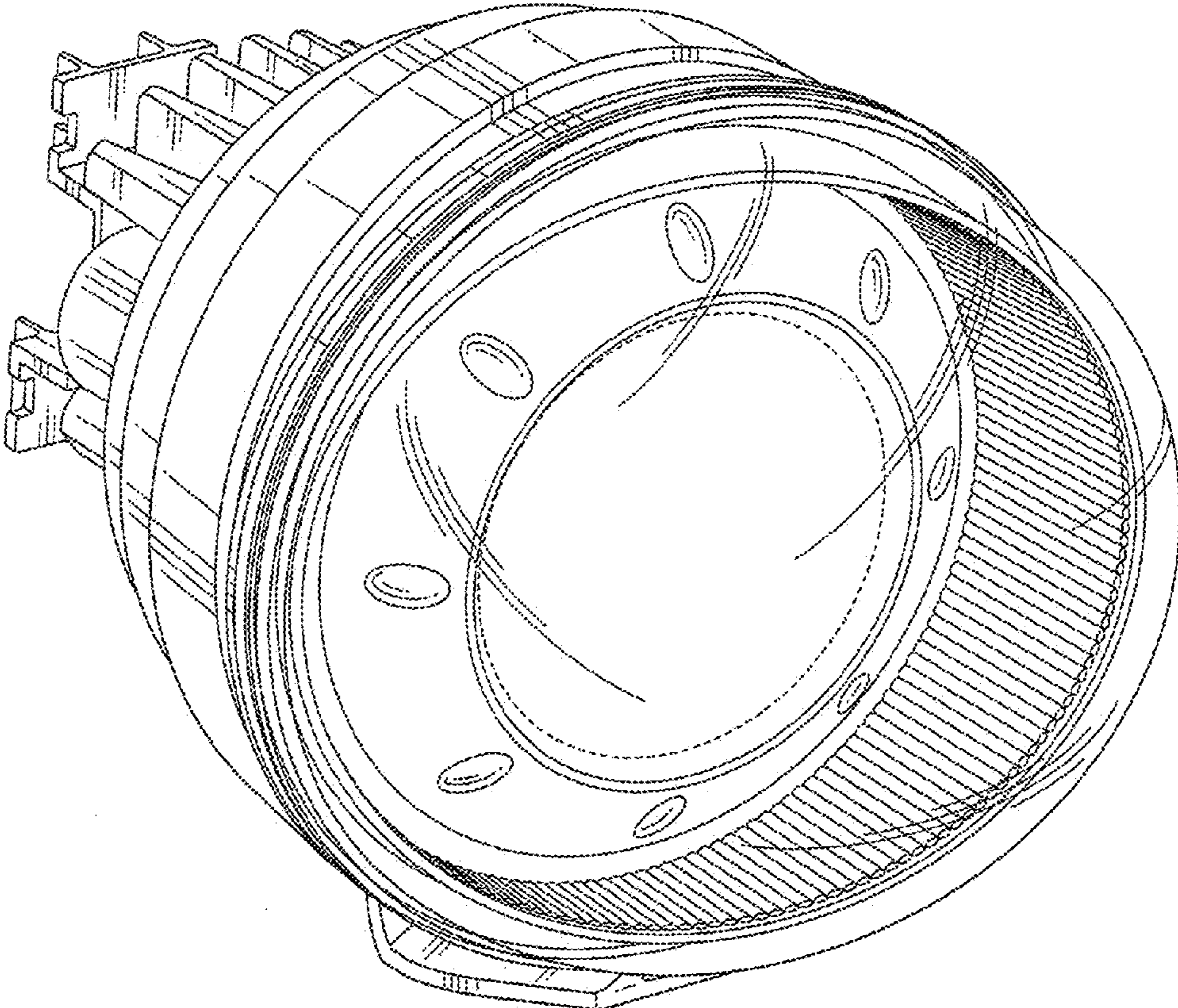


Fig. 2

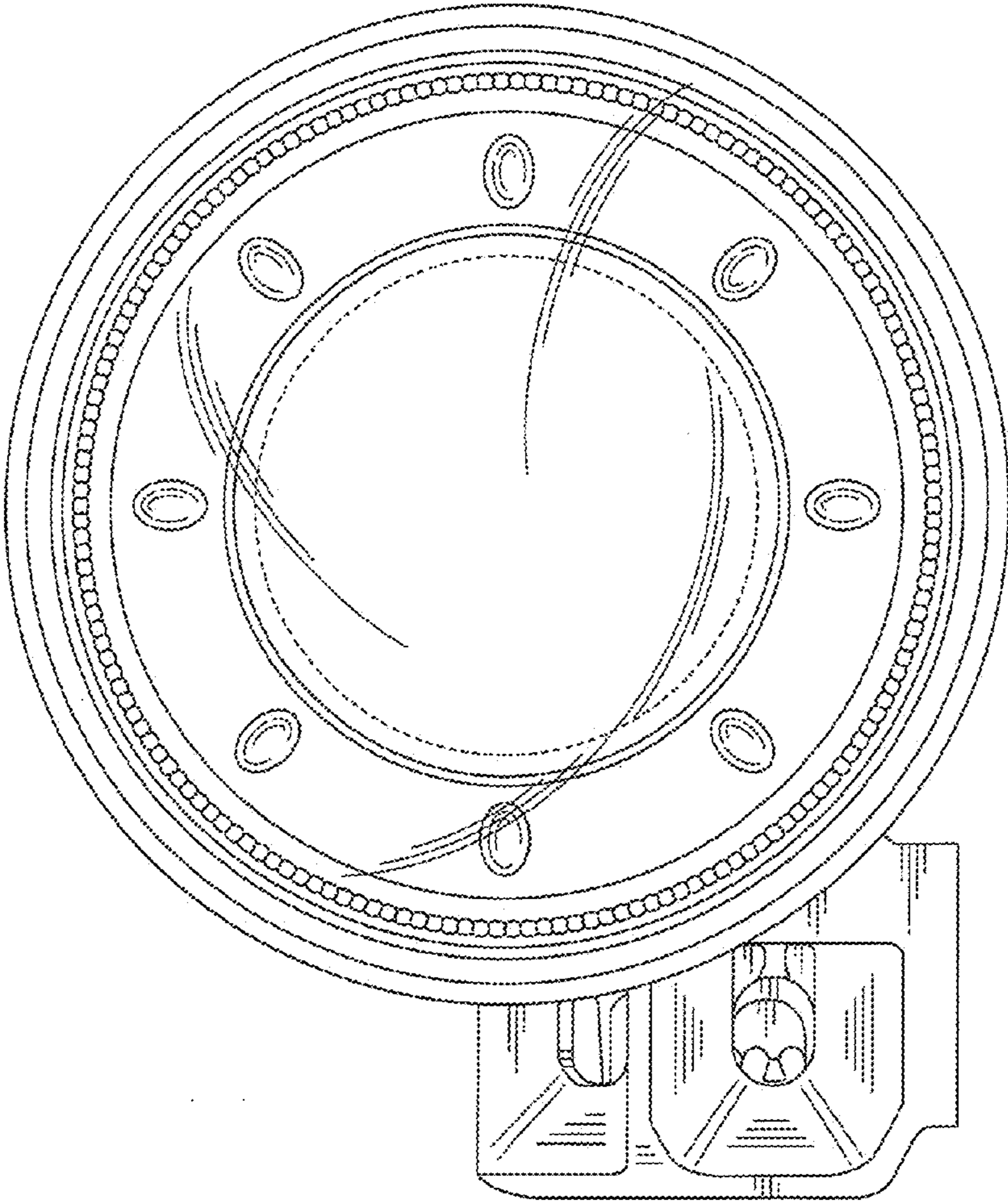


Fig. 3

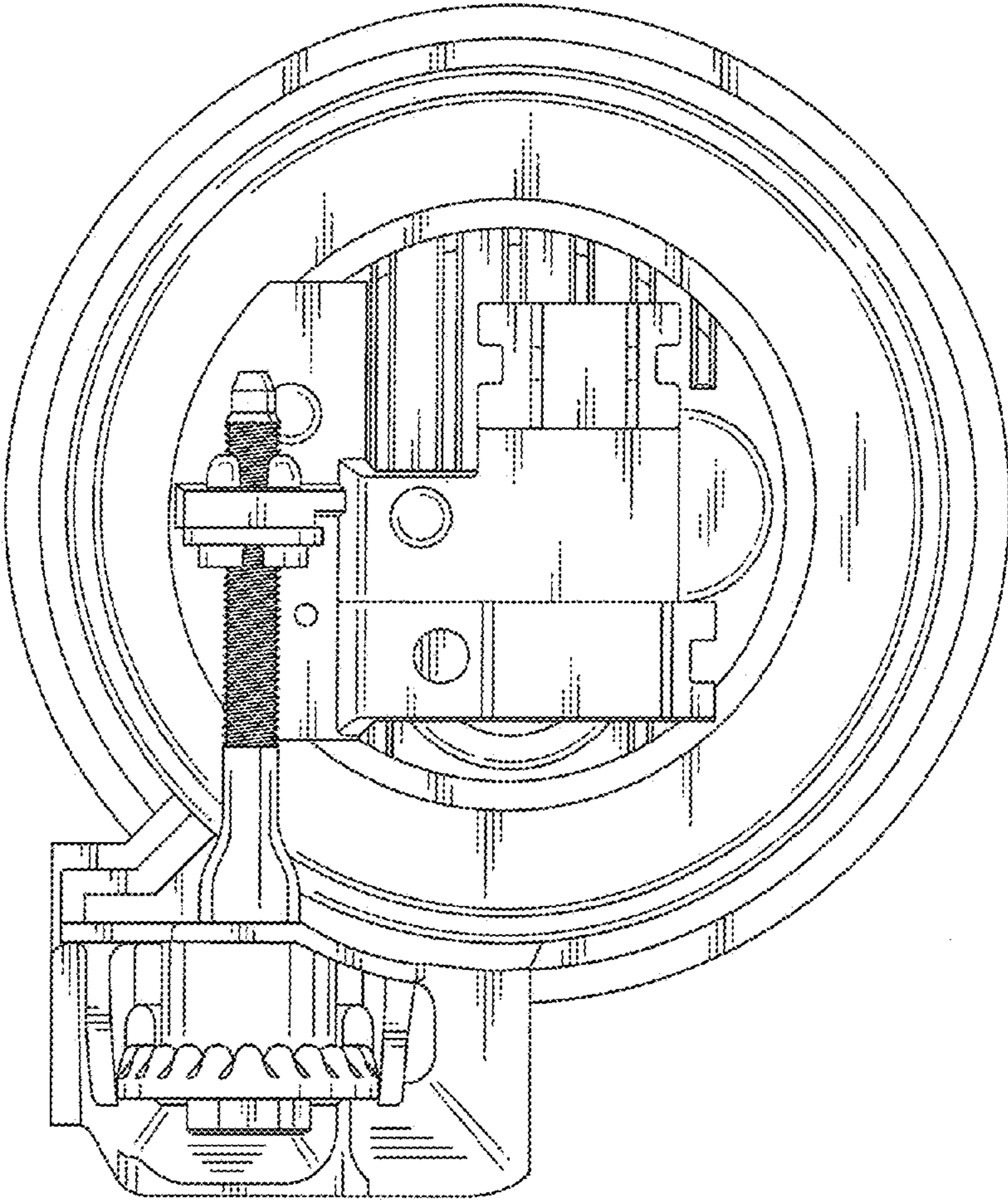


Fig. 4

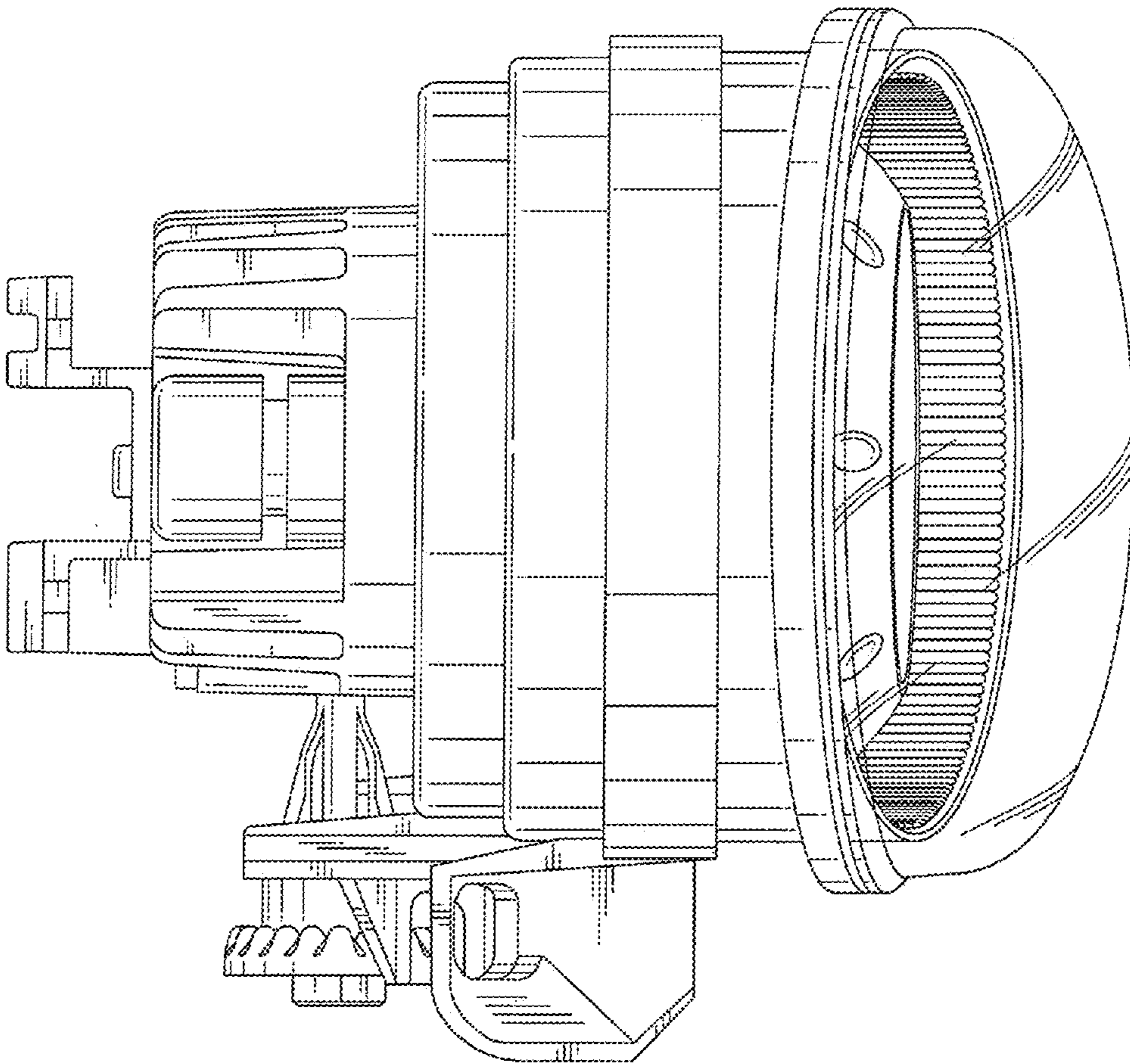


Fig. 5

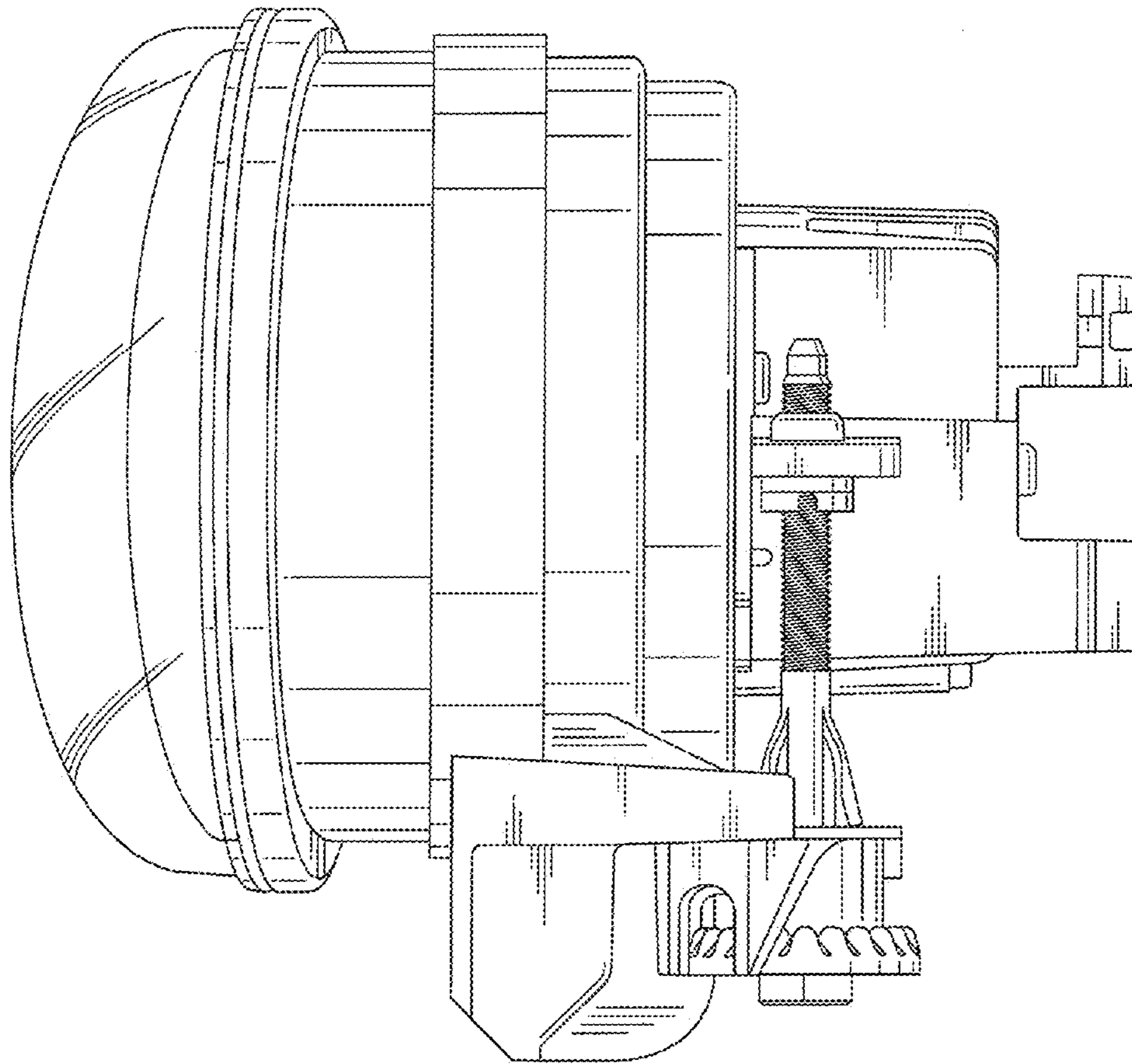


Fig. 6

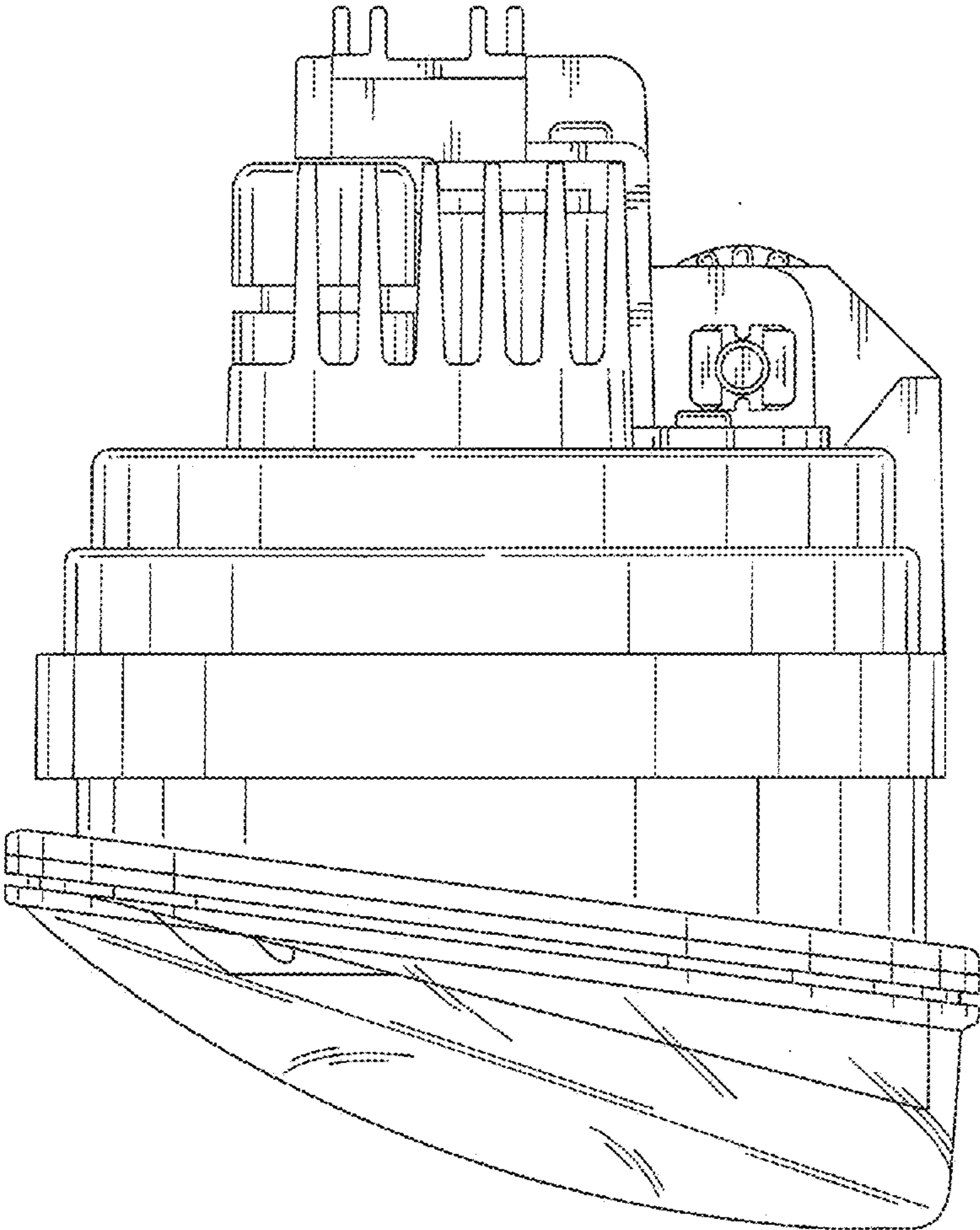


Fig. 7

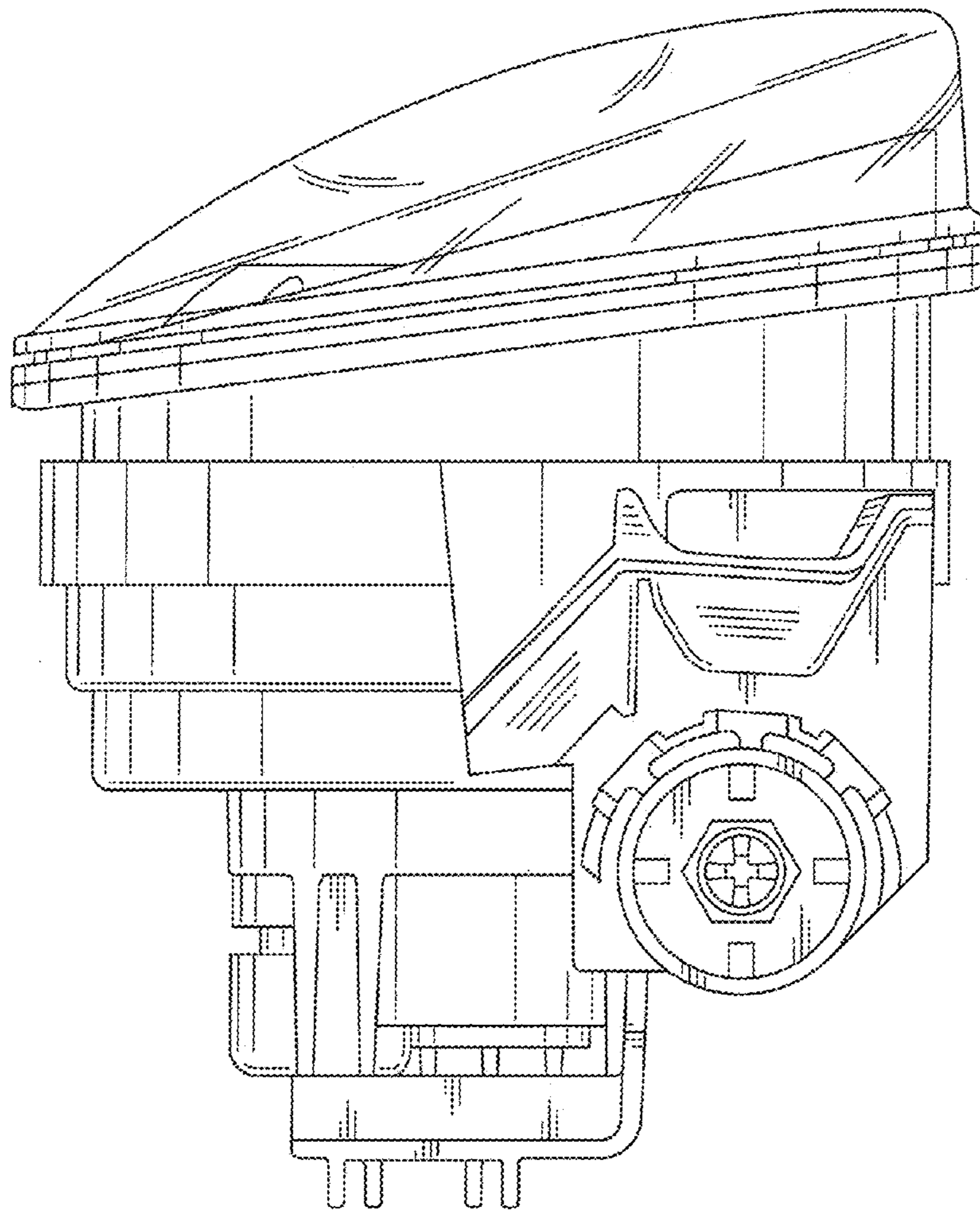


Fig. 8

