



US00D715974S

(12) **United States Design Patent**
Tunze et al.

(10) **Patent No.:** **US D715,974 S**
(45) **Date of Patent:** **** Oct. 21, 2014**

(54) **LED LAMP**

(75) Inventors: **Axel U. Tunze**, Penzberg (DE); **Felix Tunze**, Penzberg (DE)

(73) Assignee: **Tunze Aquarientechnik GmbH**, Penzberg (DE)

(**) Term: **14 Years**

(21) Appl. No.: **29/426,426**

(22) Filed: **Jul. 5, 2012**

(30) **Foreign Application Priority Data**

May 9, 2012 (EM) 001325450

(51) **LOC (10) Cl.** **23-03**

(52) **U.S. Cl.**
USPC **D26/24**

(58) **Field of Classification Search**
CPC G02B 6/0068; G02B 6/0073; F21Y 2101/02;
F21Y 2103/003; F21Y 2111/005
USPC D26/1, 2, 3, 24, 25, 37, 72, 79; 362/26,
362/31, 555, 800, 552, 171, 178
See application file for complete search history.

(56) **References Cited**

U.S. PATENT DOCUMENTS

D446,877 S *	8/2001	Lester	D26/72
D477,093 S *	7/2003	Moriyama et al.	D26/3
D477,094 S *	7/2003	Moriyama et al.	D26/3
D513,082 S *	12/2005	Hoshikawa et al.	D26/25
D560,014 S *	1/2008	Lammel et al.	D26/61
D623,321 S *	9/2010	Levine	D26/25

* cited by examiner

Primary Examiner — Brian N Vinson

(74) *Attorney, Agent, or Firm* — Factor Intellectual Property Law Group, Ltd.

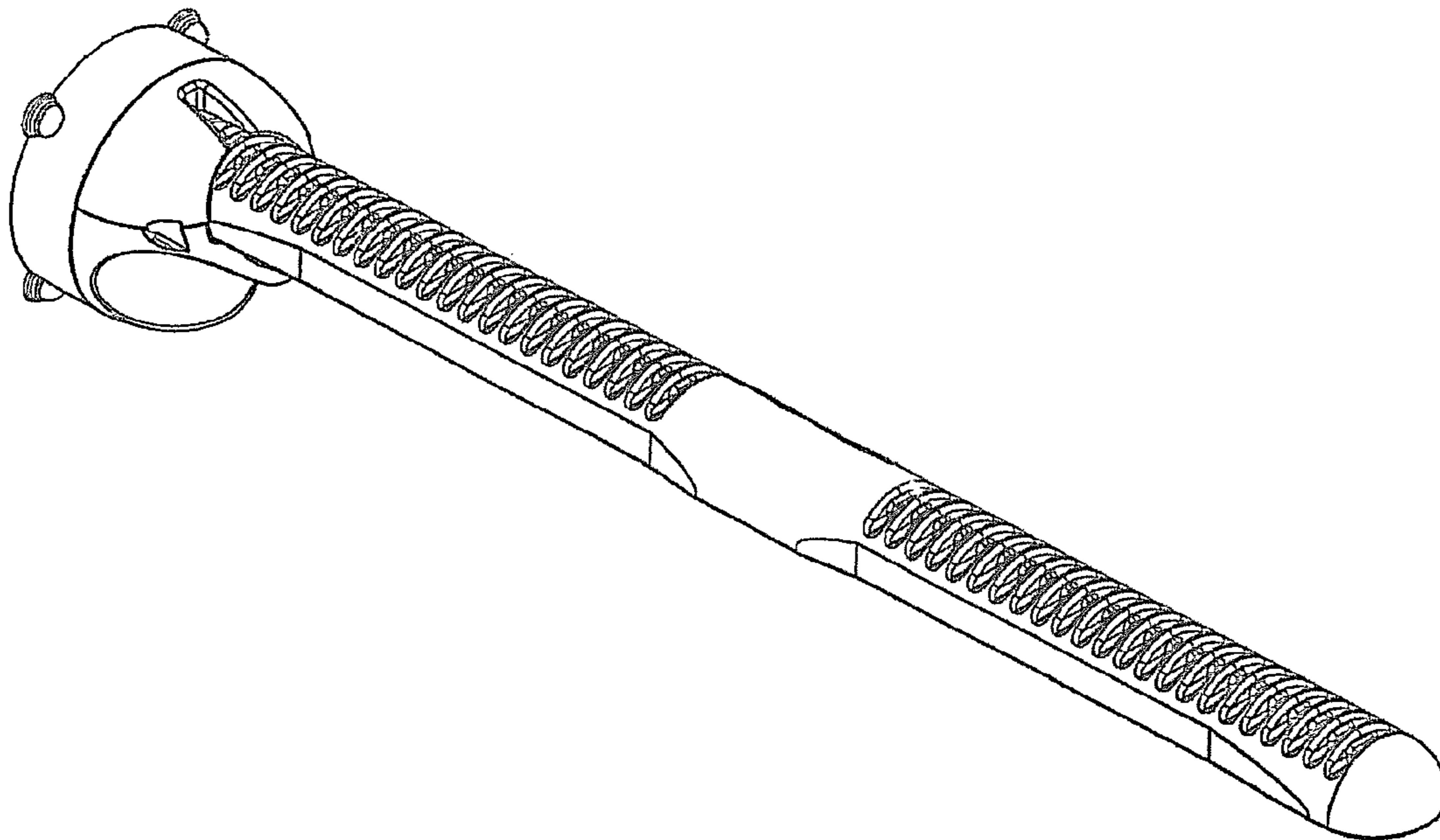
(57) **CLAIM**

The ornamental design for LED lamp, as shown and described.

DESCRIPTION

FIG. 1 is a side perspective view of the LED lamp showing a new ornamental design thereof;
FIG. 2 is a left side view of the LED lamp shown in FIG. 1;
FIG. 3 is a right side view of the LED lamp shown in FIG. 1;
FIG. 4 is a back view of the LED lamp shown in FIG. 1;
FIG. 5 is a front view of the LED lamp shown in FIG. 1;
FIG. 6 is top view of the LED lamp shown in FIG. 1; and,
FIG. 7 is a bottom view of the LED lamp shown in FIG. 1.

1 Claim, 7 Drawing Sheets



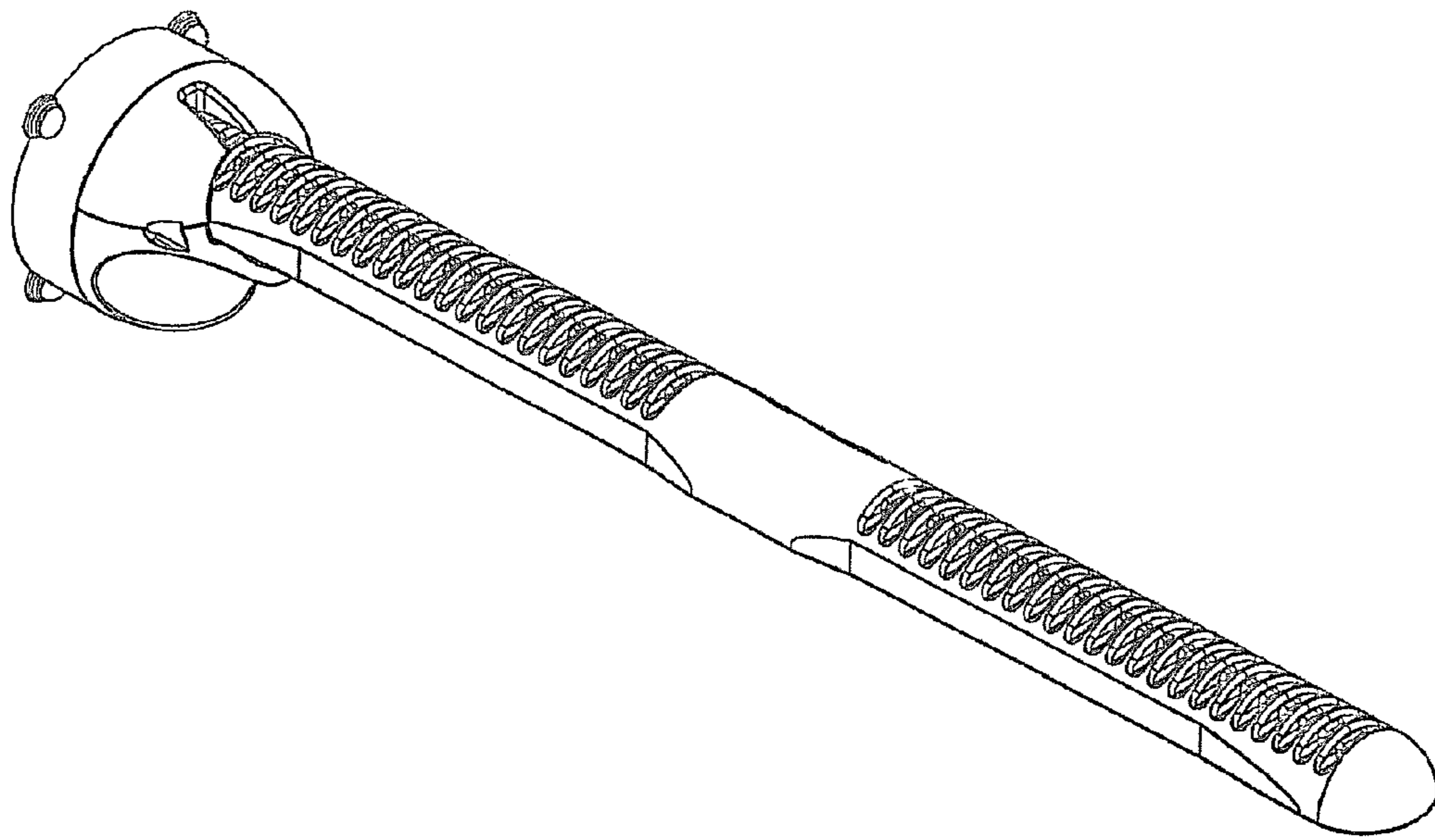


FIG. 1

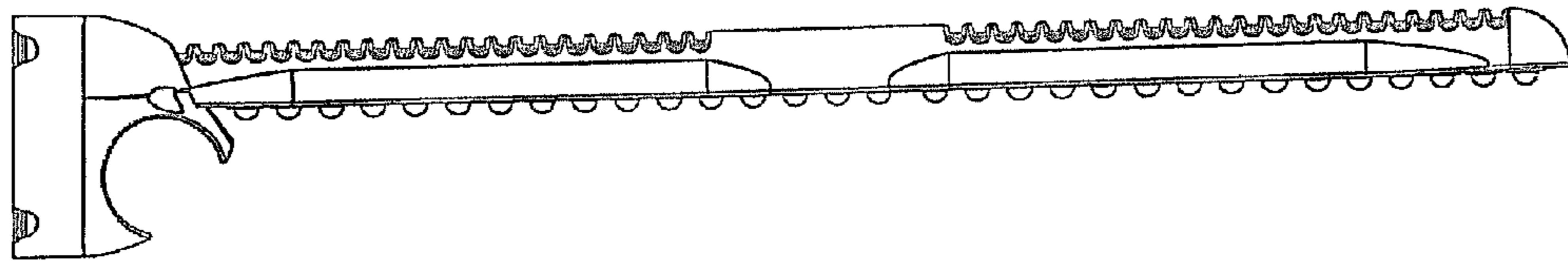


FIG. 2

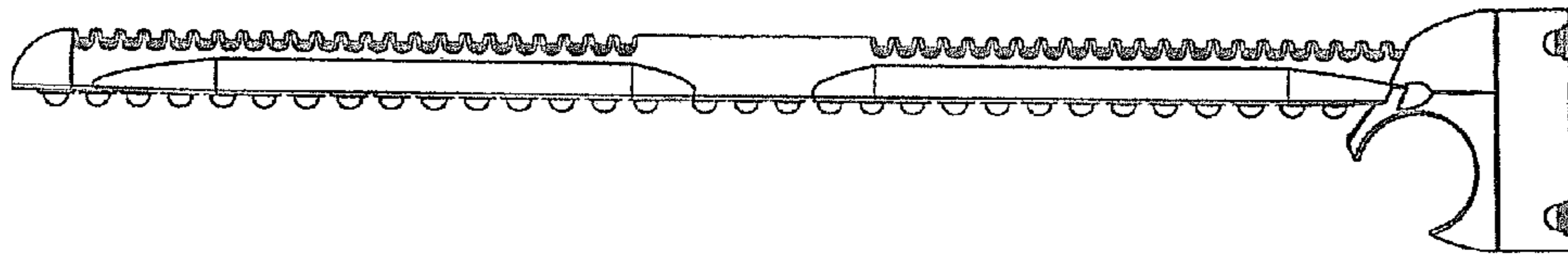


FIG. 3

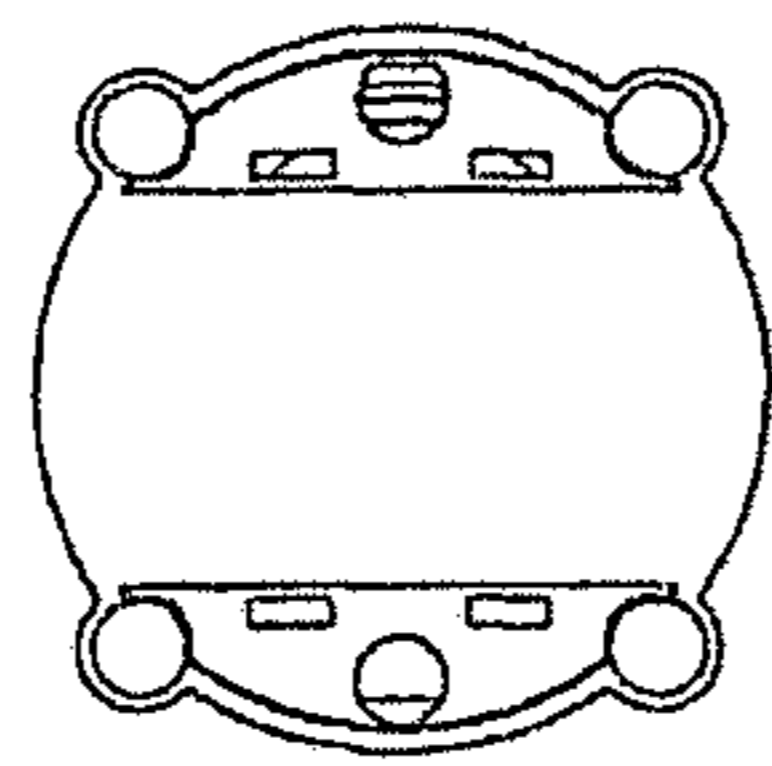


FIG. 4

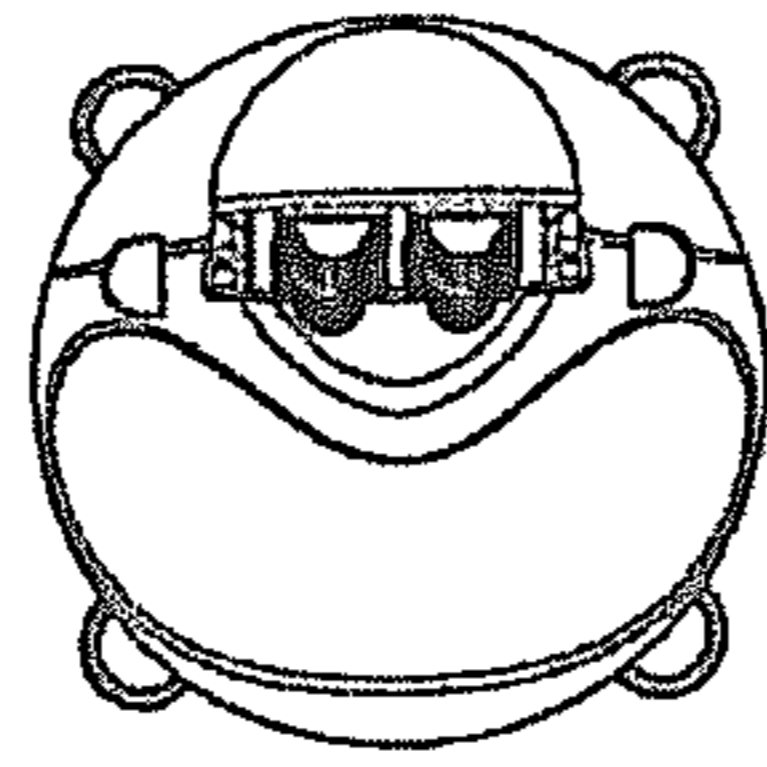


FIG. 5

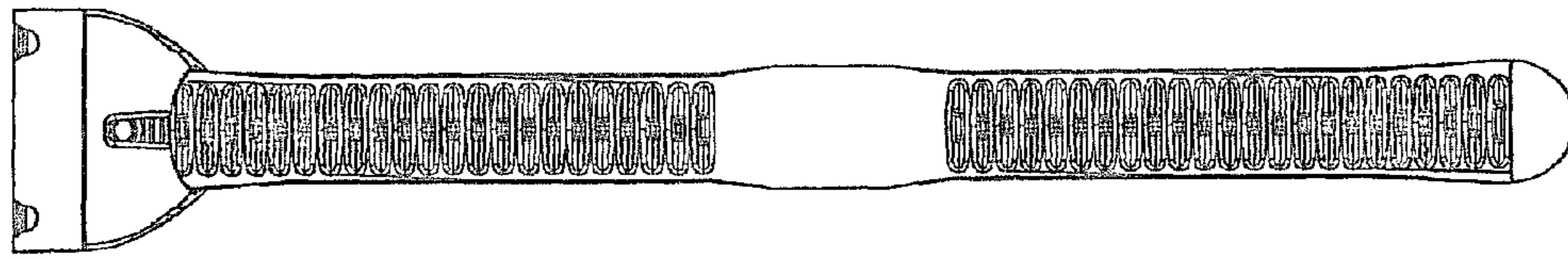


FIG. 6

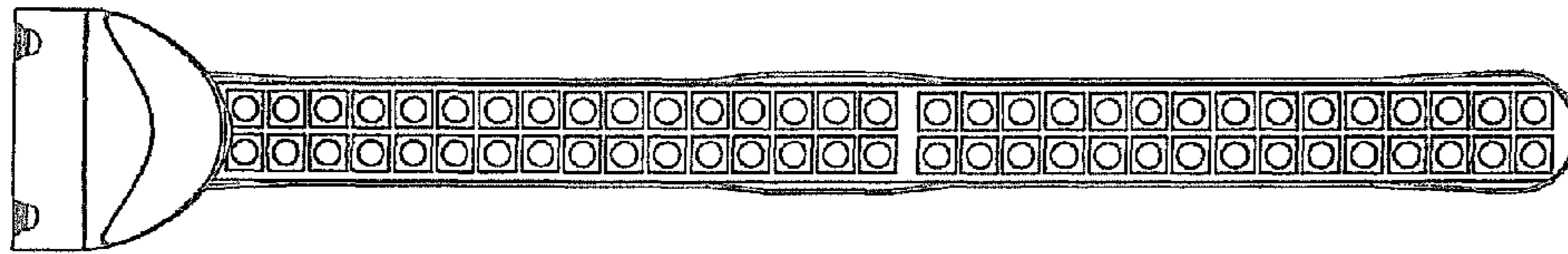


FIG. 7