



US00D715972S

(12) **United States Design Patent**  
**Roberts et al.**

(10) **Patent No.:** **US D715,972 S**  
(45) **Date of Patent:** **\*\* Oct. 21, 2014**

(54) **LED BASED LIGHT BULB**

*Primary Examiner* — Marcus Jackson

(71) Applicant: **General Electric Company**,  
Schenectady, NY (US)

(74) *Attorney, Agent, or Firm* — Fay Sharpe LLP

(72) Inventors: **Bruce R. Roberts**, Cleveland, OH (US);  
**Thomas A. Knapp**, Cleveland, OH (US)

(57) **CLAIM**

The ornamental design for a LED based light bulb, as shown and described.

(73) Assignee: **GE Lighting Solutions LLC**, Cleveland, OH (US)

**DESCRIPTION**

(\*\*) Term: **14 Years**

FIG. 1 is a side plan view of a LED based light bulb of a first embodiment;

(21) Appl. No.: **29/434,389**

FIG. 2 is a side plan view of the design of FIG. 1 rotated 30° relative to the side plan view of FIG. 1;

(22) Filed: **Oct. 12, 2012**

FIG. 3 is a top plan view of the design of FIG. 1;

(51) **LOC (10) Cl.** ..... **26-04**

FIG. 4 is a bottom plan view of the design of FIG. 1;

(52) **U.S. Cl.**

FIG. 5 is a perspective view of the design of FIG. 1;

USPC ..... **D26/2**

FIG. 6 is a side plan view of a LED based light bulb of a second embodiment;

(58) **Field of Classification Search**

USPC ..... D26/1-4; 313/313, 315, 316, 317, 318,  
313/493; 315/52, 53, 56, 57, 58

FIG. 7 is a side plan view of the design of FIG. 6 rotated 30° relative to the side plan view of FIG. 6;

See application file for complete search history.

FIG. 8 is a top plan view of the design of FIG. 6;

FIG. 9 is a bottom plan view of the design of FIG. 6; and,

FIG. 10 is a perspective view of the design of FIG. 6.

Any broken line illustrations in the drawings are not part of the design sought to be patented. Speckling indicates frosted glass or another translucent light diffusive surface, and a relatively higher density of speckling indicates the surface has relatively higher light diffusiveness (i.e., relatively reduced visibility through the surface).

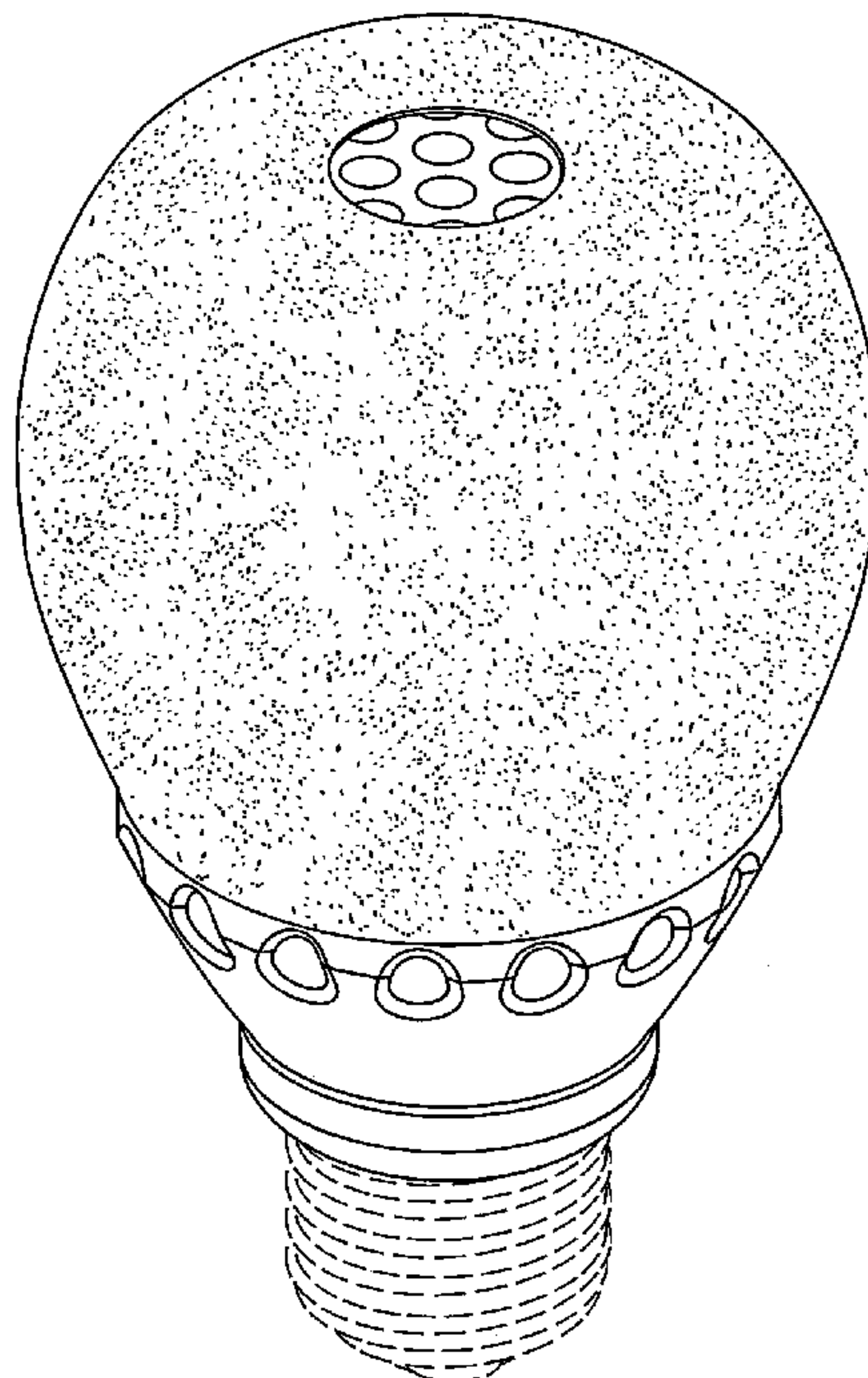
(56) **References Cited**

**U.S. PATENT DOCUMENTS**

D543,288 S *	5/2007	Bembridge	.....	D26/2
D558,904 S *	1/2008	Tsuruha et al.	.....	D26/2
D579,130 S *	10/2008	Hernandez et al.	.....	D26/2
D689,216 S *	9/2013	Chow et al.	.....	D26/2

\* cited by examiner

**1 Claim, 8 Drawing Sheets**



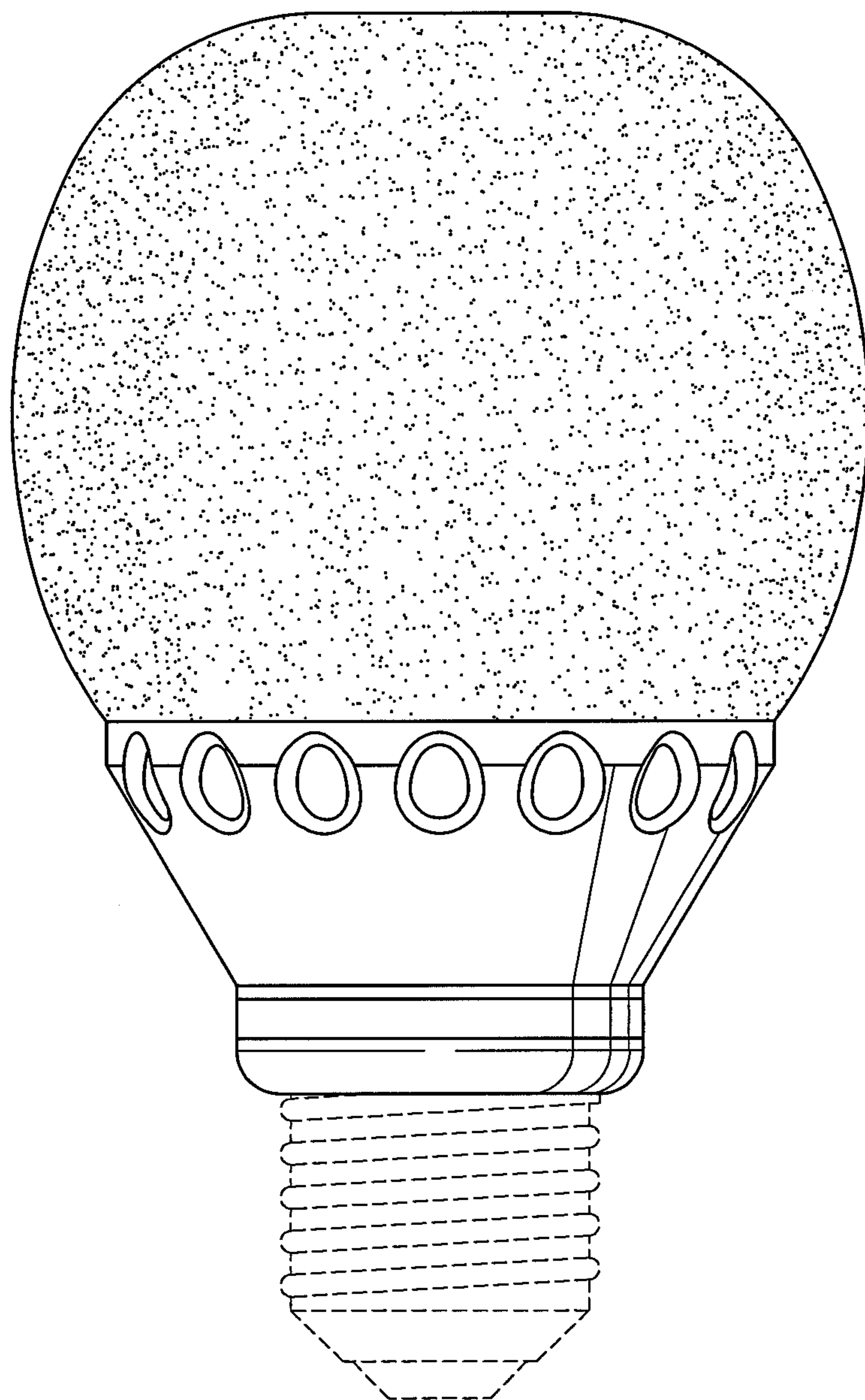


FIG. 1

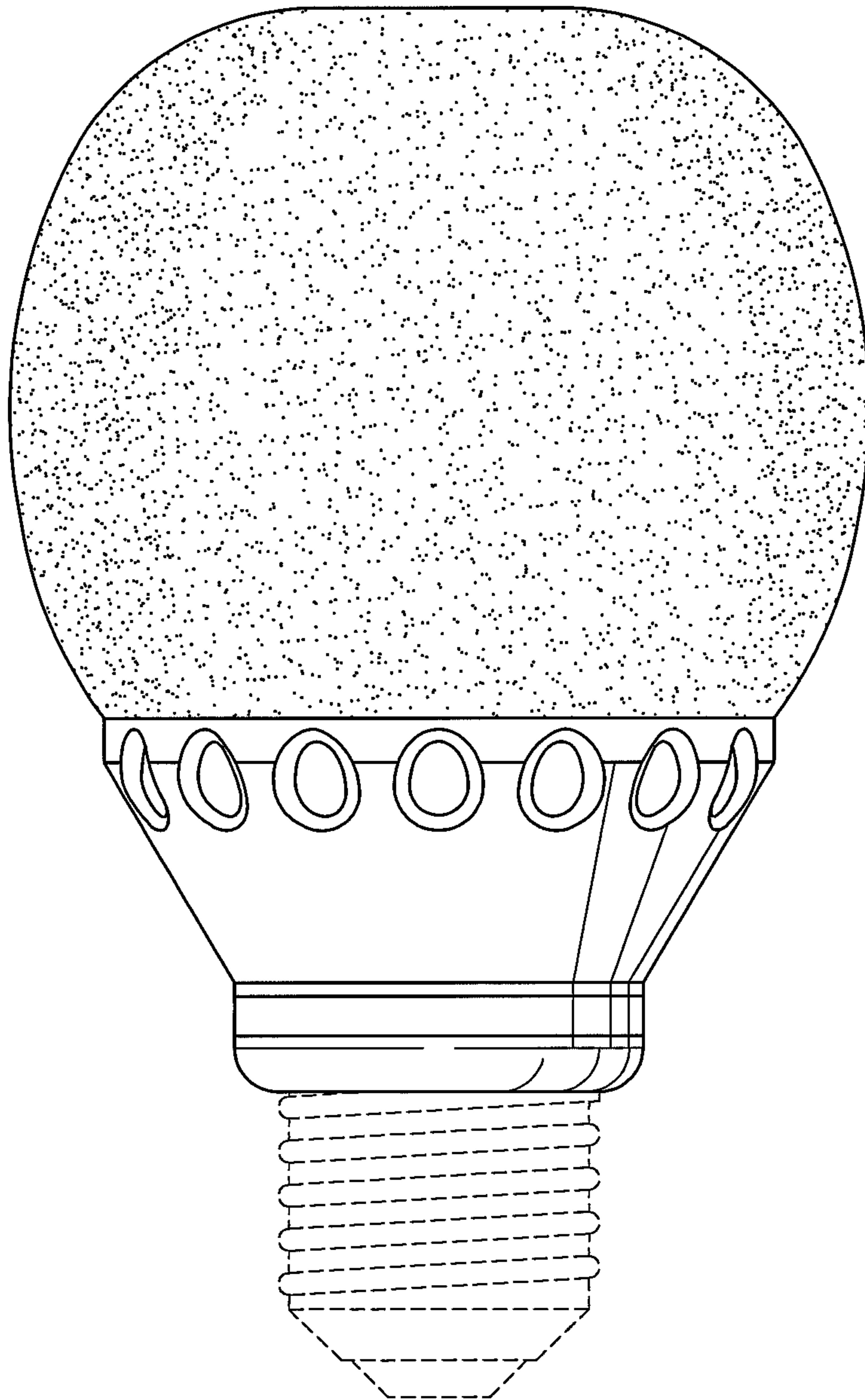


FIG. 2



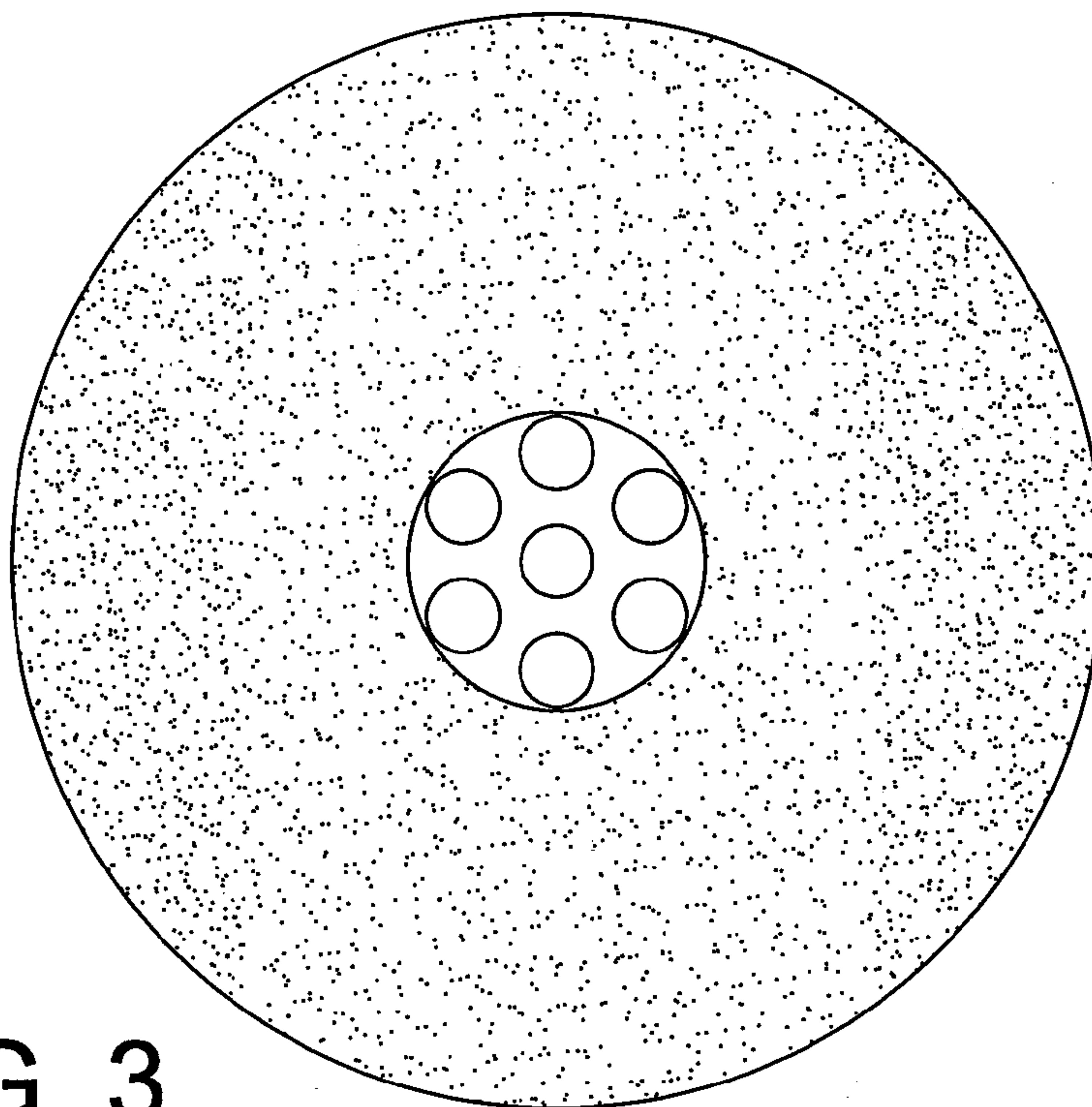


FIG. 3

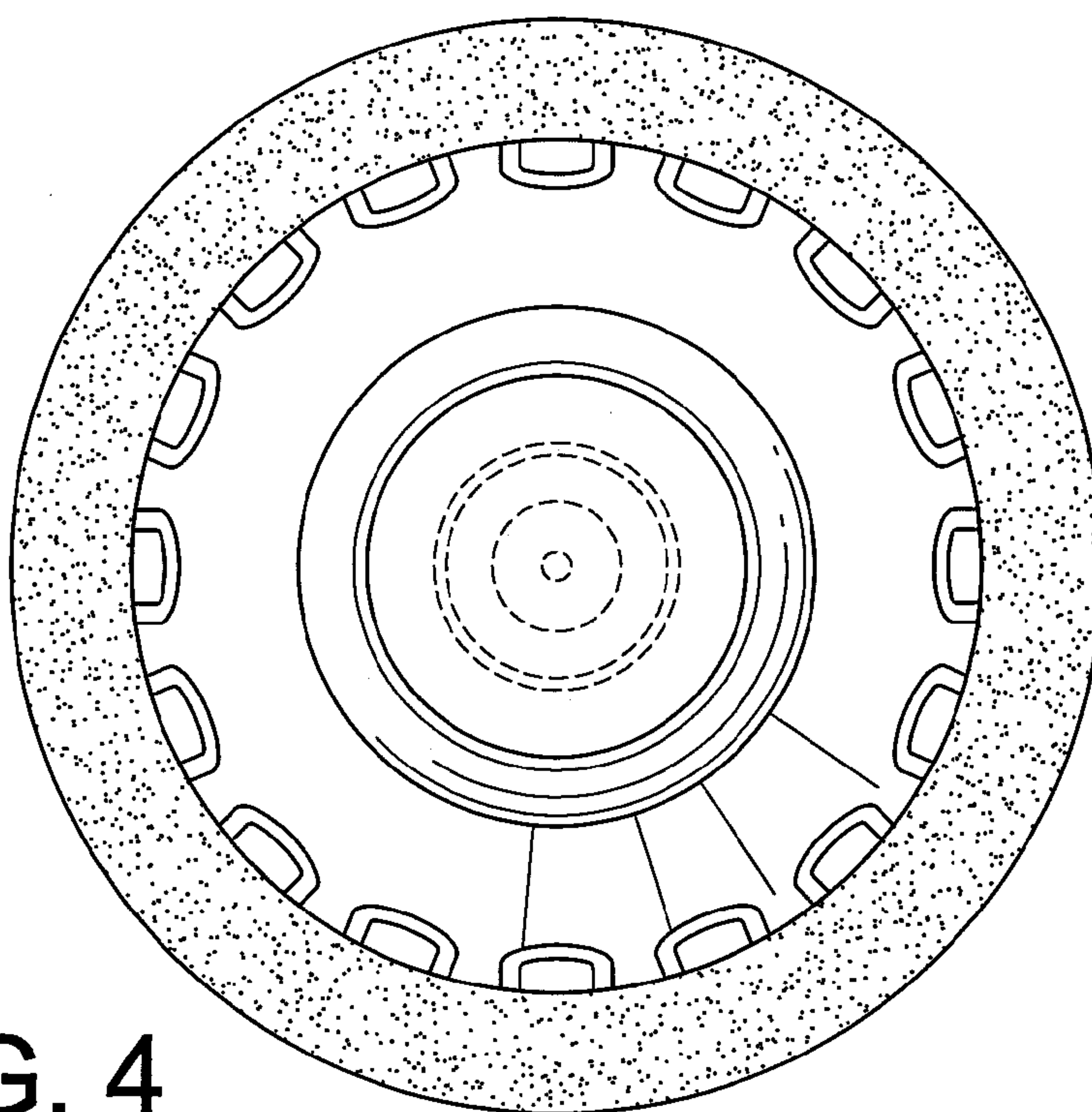


FIG. 4

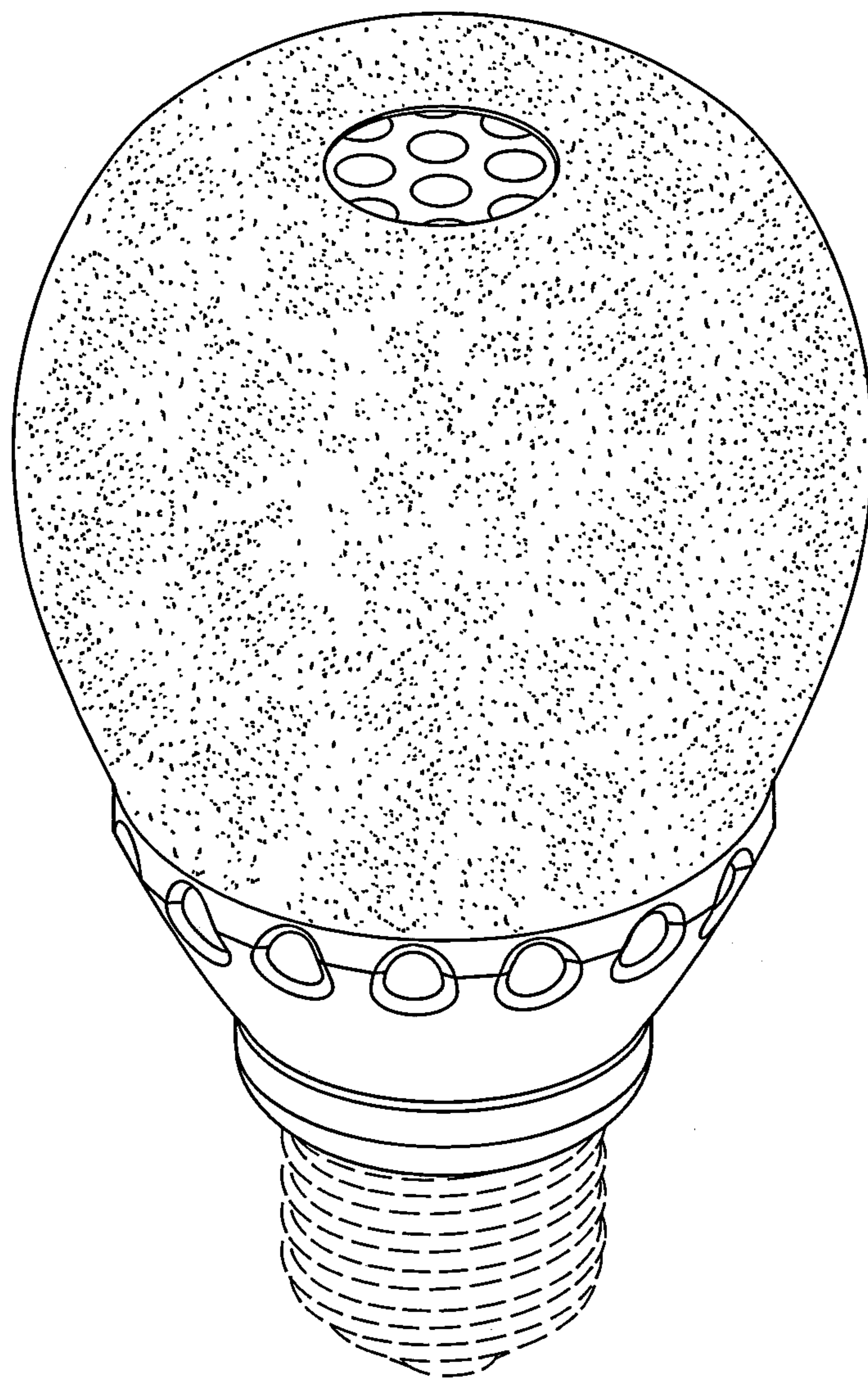


FIG. 5

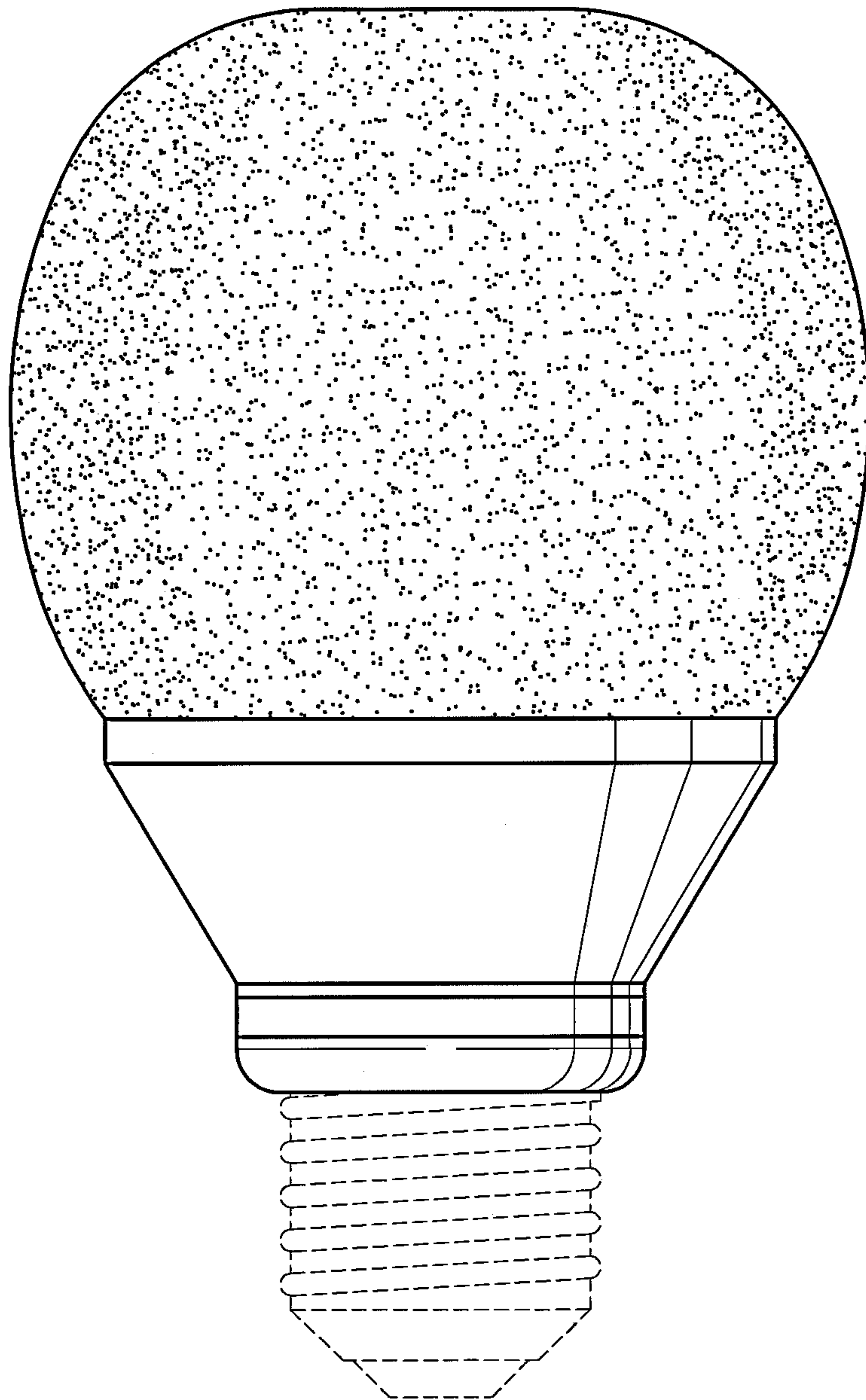


FIG. 6

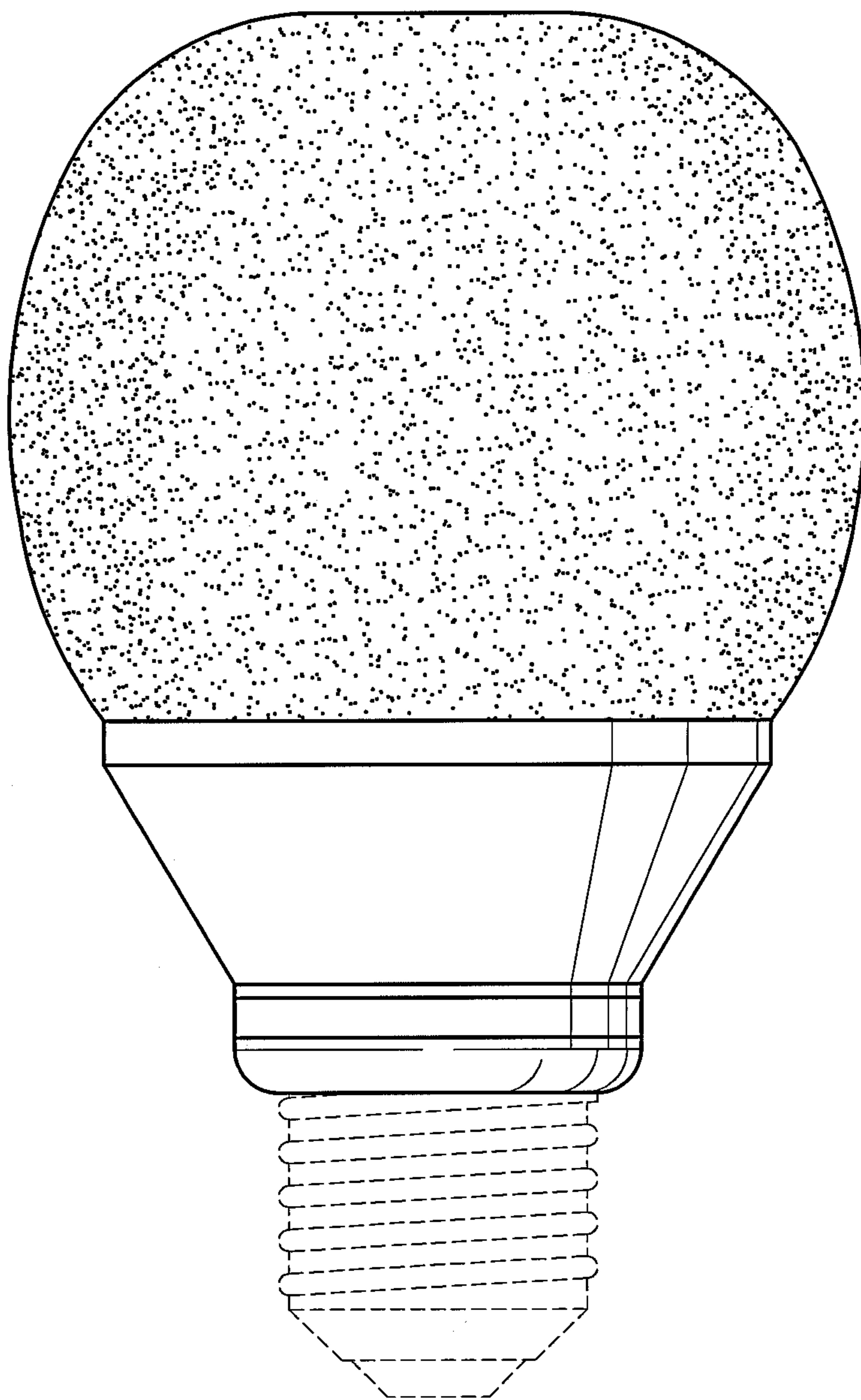


FIG. 7



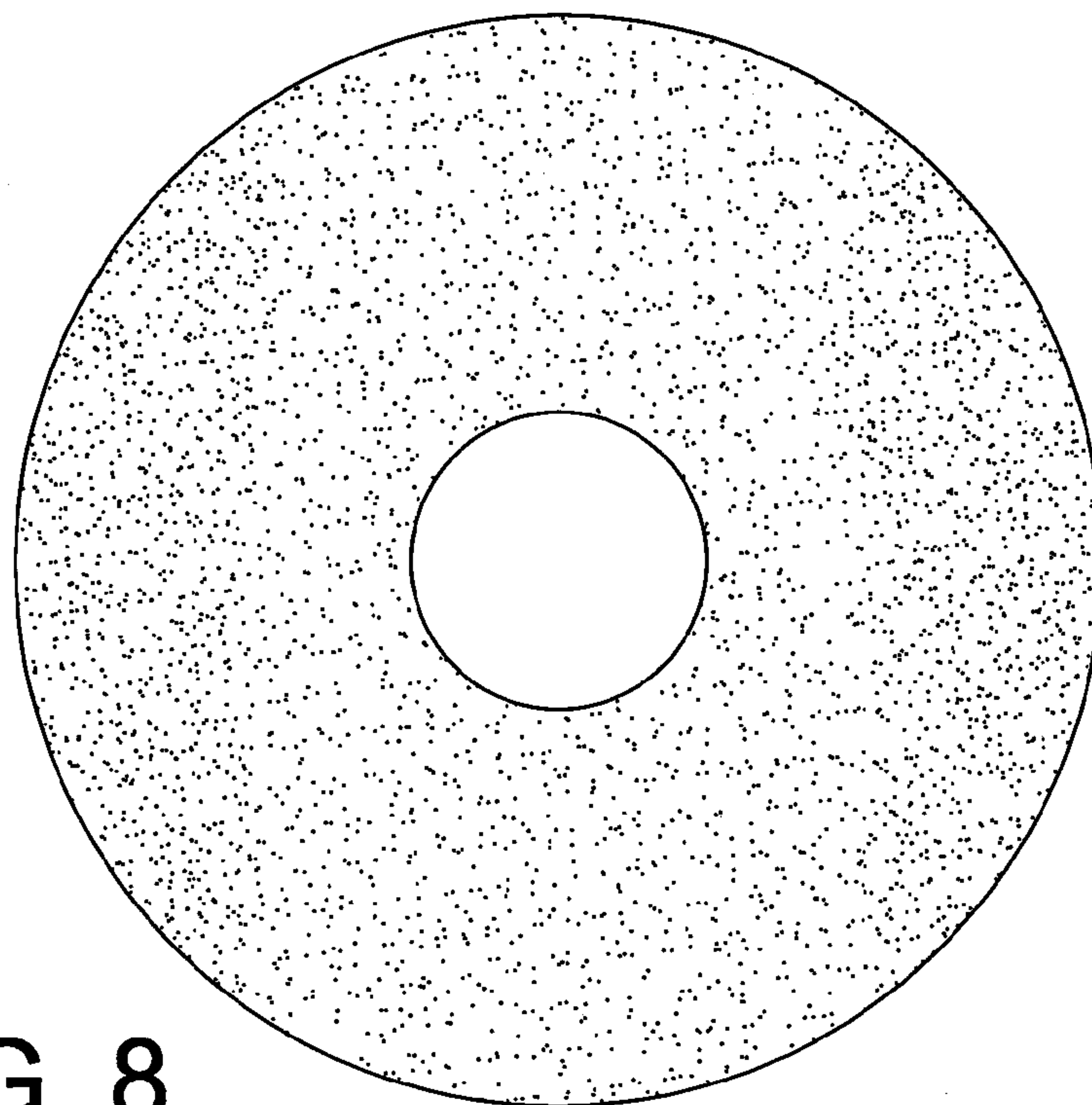


FIG. 8

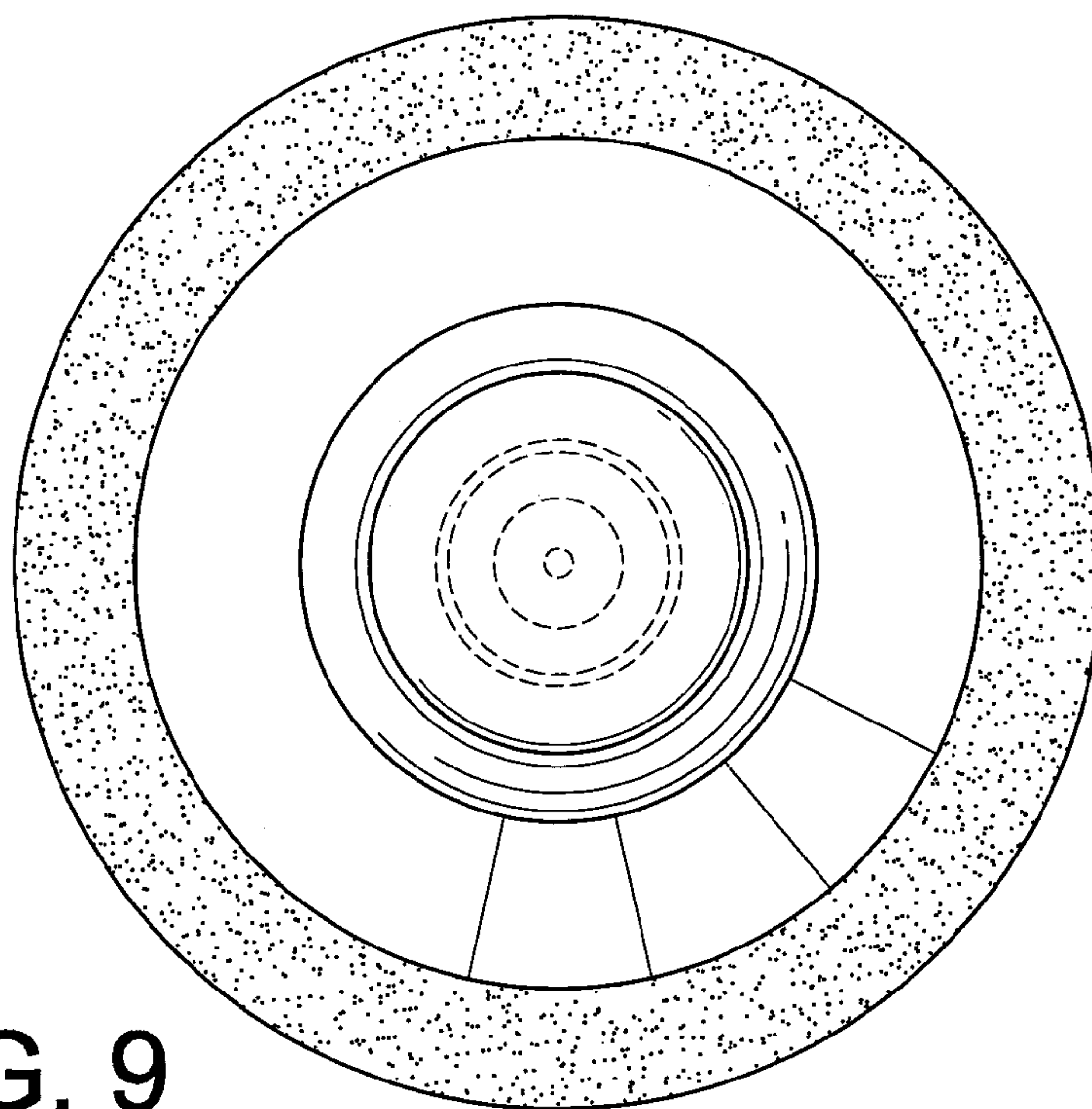


FIG. 9



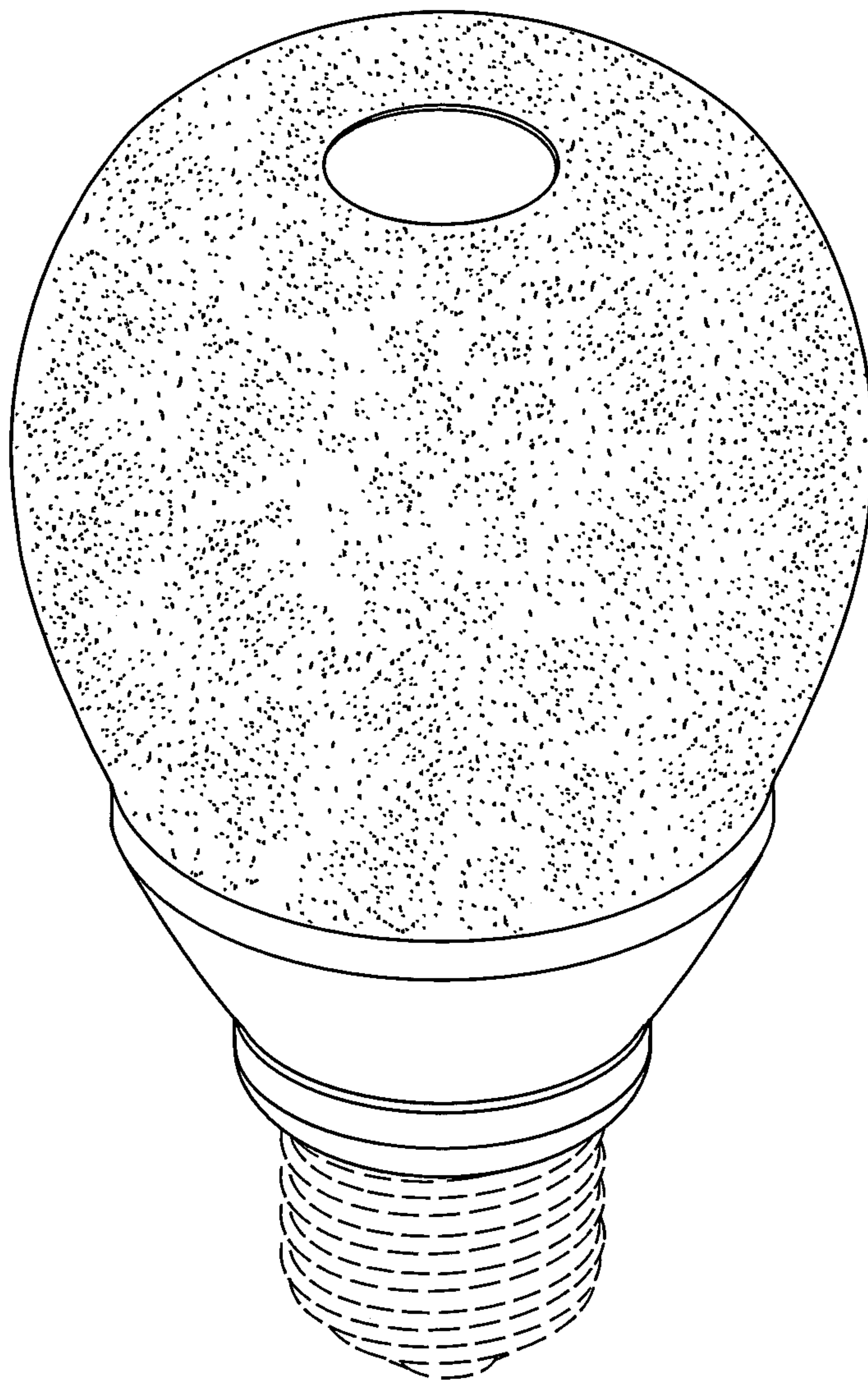


FIG. 10

UNITED STATES PATENT AND TRADEMARK OFFICE  
**CERTIFICATE OF CORRECTION**

PATENT NO. : D715,972 S  
APPLICATION NO. : 29/434389  
DATED : October 21, 2014  
INVENTOR(S) : Roberts et al.

Page 1 of 1

It is certified that error appears in the above-identified patent and that said Letters Patent is hereby corrected as shown below:

On the Title Page, in Item (57), under "CLAIM", in Column 2, Line 1, delete "LED based" and insert -- light emitting diode (LED) based --, therefor.

Signed and Sealed this  
Twenty-seventh Day of October, 2015



Michelle K. Lee  
*Director of the United States Patent and Trademark Office*