



US00D715970S

(12) **United States Design Patent**
Shen et al.

(10) **Patent No.:** **US D715,970 S**

(45) **Date of Patent:** **** Oct. 21, 2014**

(54) **LIGHT EMITTING DIODE**

(71) Applicant: **Epistar Corporation**, Hsinchu (TW)

(72) Inventors: **Chien-Fu Shen**, Hsinchu (TW);
Tsun-Kai Ko, Yongkang (TW);
Schang-Jing Hon, Taichung (TW)

(73) Assignee: **Epistar Corporation**, Hsinchu (TW)

(**) Term: **14 Years**

(21) Appl. No.: **29/434,691**

(22) Filed: **Oct. 16, 2012**

Related U.S. Application Data

(62) Division of application No. 29/398,875, filed on Aug. 5, 2011, now Pat. No. Des. 688,819.

(51) **LOC (10) Cl.** **26-04**

(52) **U.S. Cl.**
USPC **D26/1**

(58) **Field of Classification Search**
USPC D26/1-4; D13/180; 257/79-81, 88-89,
257/98-100; 313/483, 498-500; 362/800
See application file for complete search history.

(56) **References Cited**

U.S. PATENT DOCUMENTS

D559,802 S * 1/2008 Hsu et al. D13/180
D619,976 S * 7/2010 Liu et al. D13/180
D688,819 S * 8/2013 Shen et al. D26/1

* cited by examiner

Primary Examiner — Marcus Jackson

(74) *Attorney, Agent, or Firm* — Ditthavong & Steiner, P.C.

(57) **CLAIM**

The ornamental design for a light emitting diode, as shown and described.

DESCRIPTION

FIG. 1 is a perspective view of the first embodiment showing the claimed design;

FIG. 2 is a front elevational view of FIG. 1;

FIG. 3 is a rear elevational view of FIG. 1;

FIG. 4 is a left side elevational view of FIG. 1;

FIG. 5 is a right side elevational view of FIG. 1;

FIG. 6 is a top plan view of FIG. 1;

FIG. 7 is a bottom plan view of FIG. 1;

FIG. 8 is a perspective view of the second embodiment showing the claimed design;

FIG. 9 is a front elevational view of FIG. 8;

FIG. 10 is a rear elevational view of FIG. 8;

FIG. 11 is a left side elevational view of FIG. 8;

FIG. 12 is a right side elevational view of FIG. 8;

FIG. 13 is a top plan view of FIG. 8; and,

FIG. 14 is a bottom plan view of FIG. 8.

The broken lines are directed to environment and are provided for illustrative purpose only; the broken lines form no part of the claimed design.

1 Claim, 8 Drawing Sheets

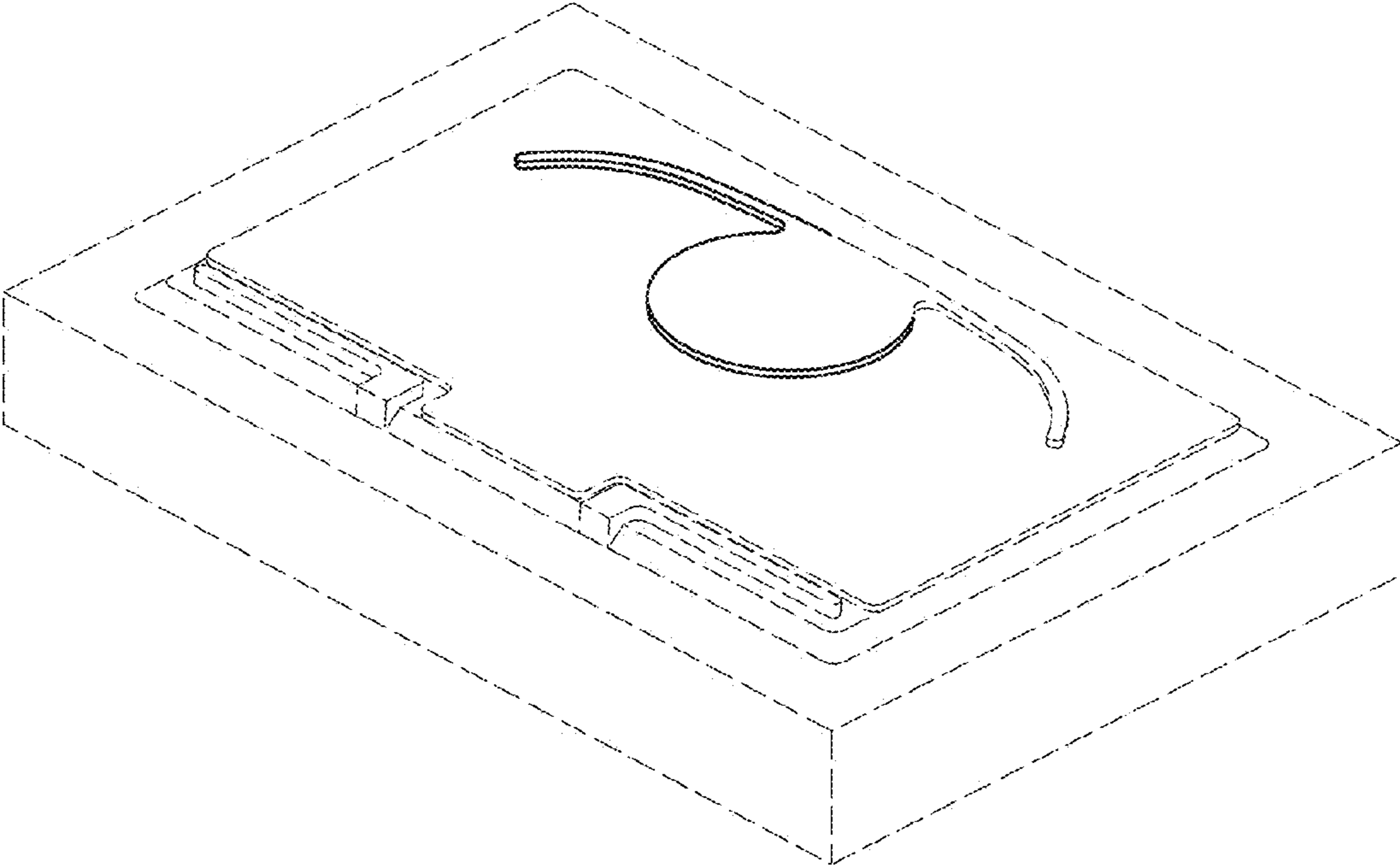


FIG.1

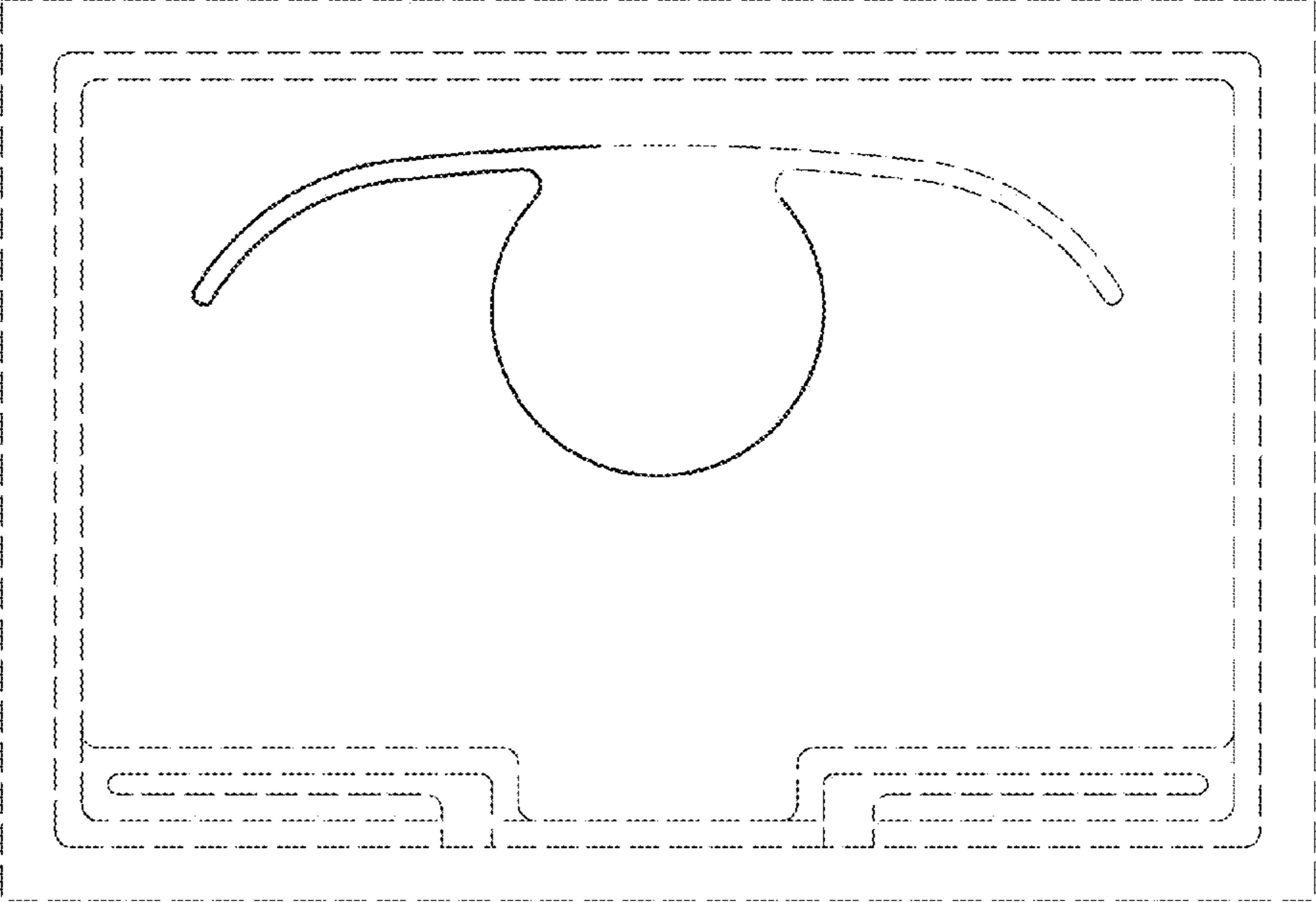


FIG.2

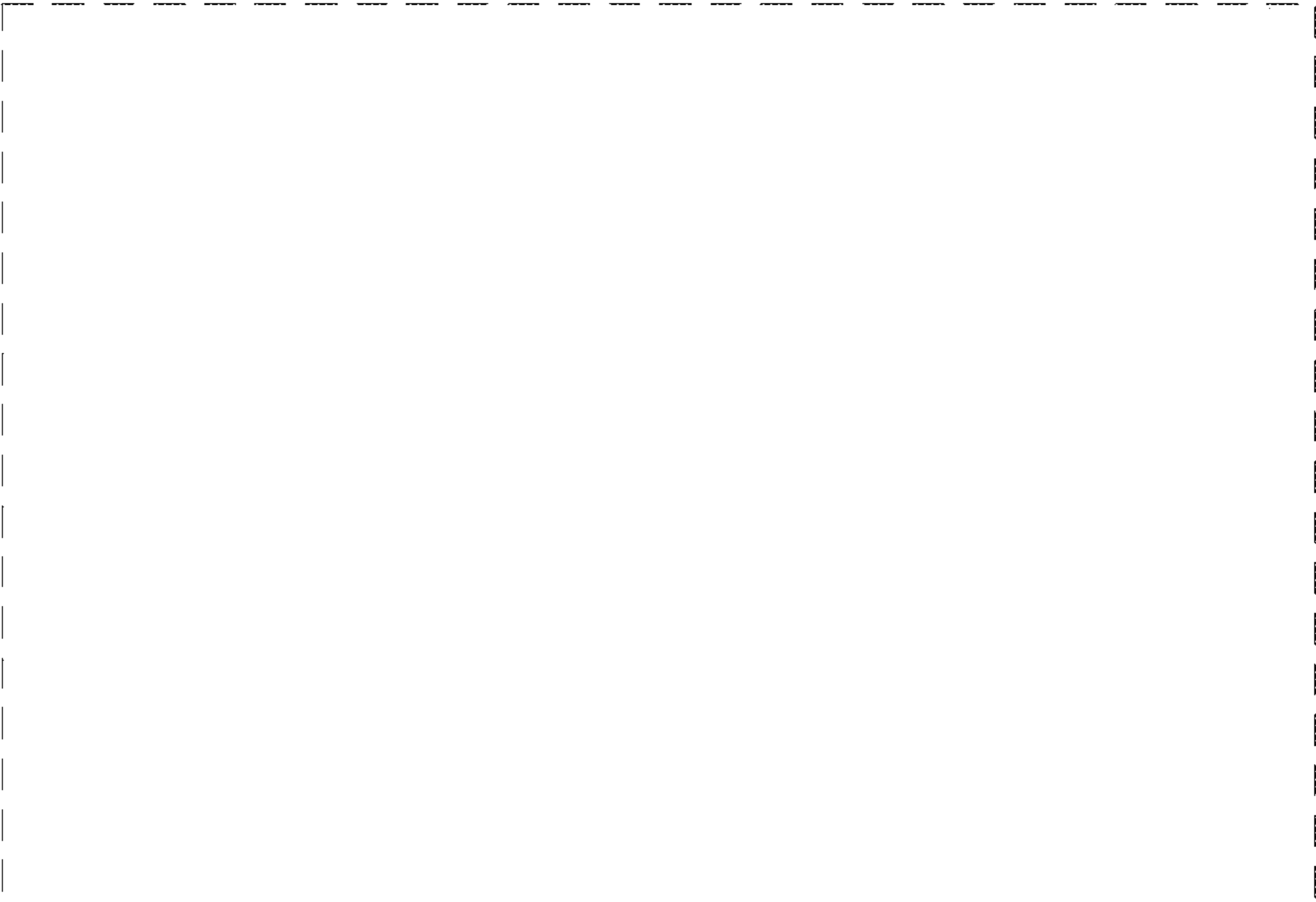


FIG.3



FIG. 4

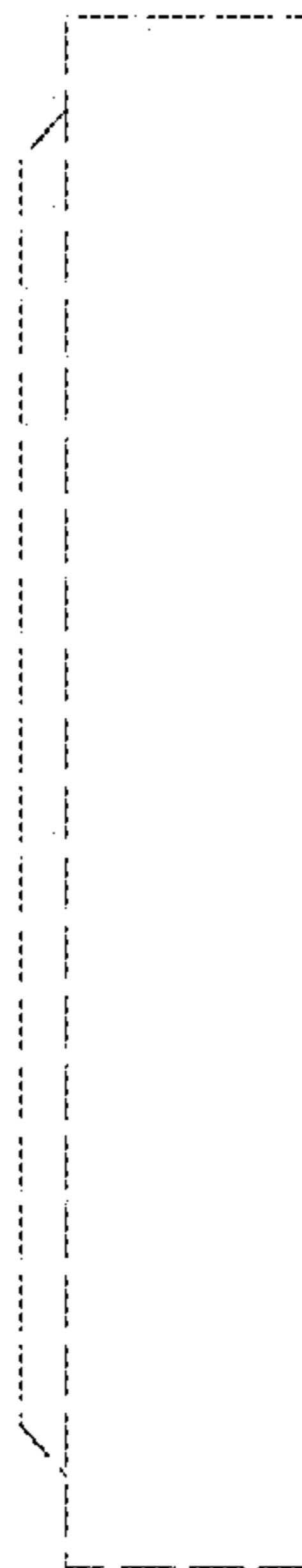


FIG. 5

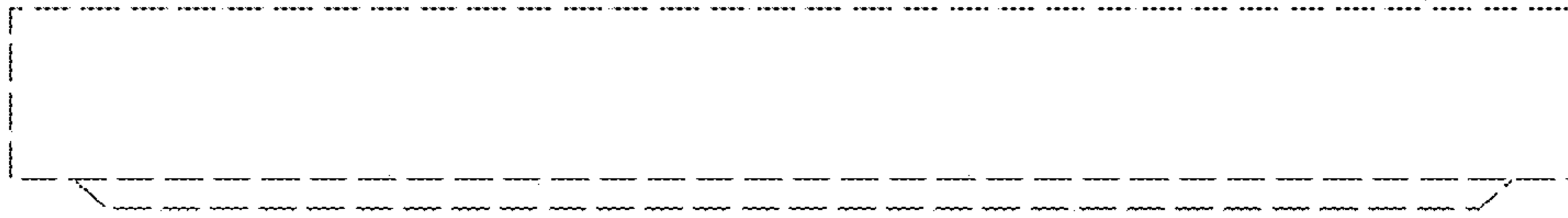


FIG. 6

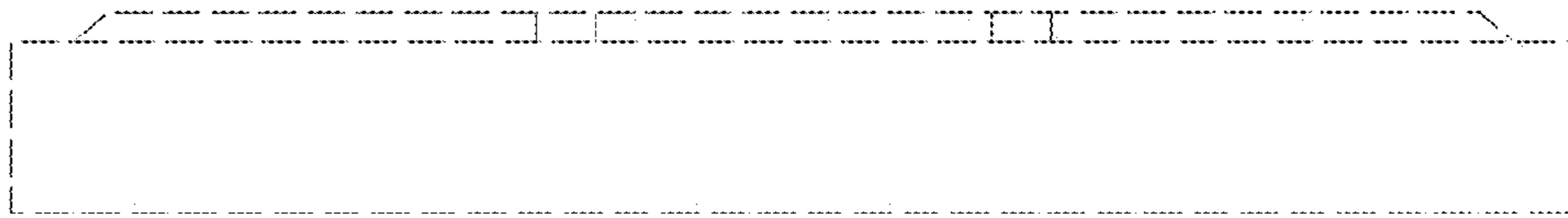


FIG. 7

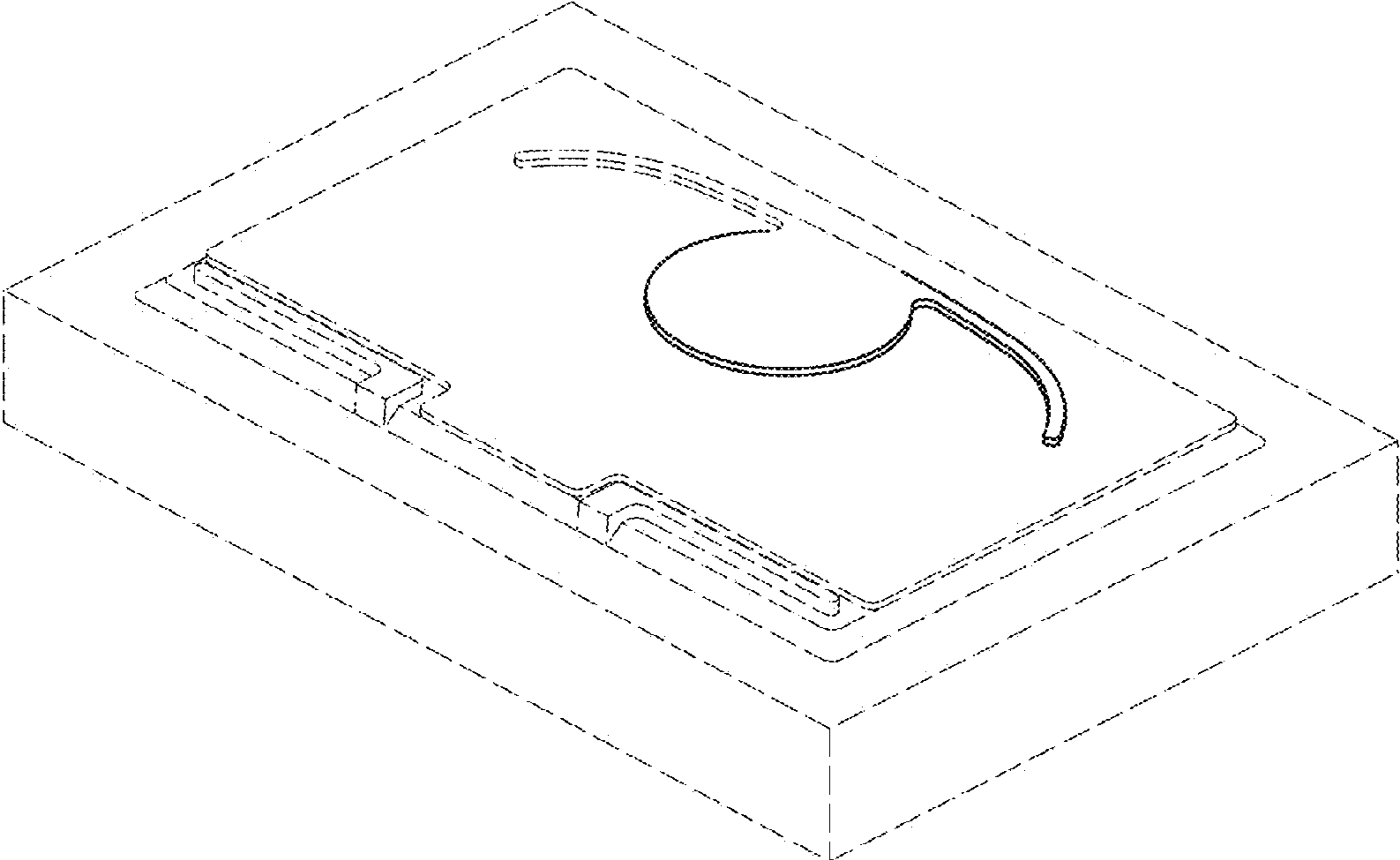


FIG.8

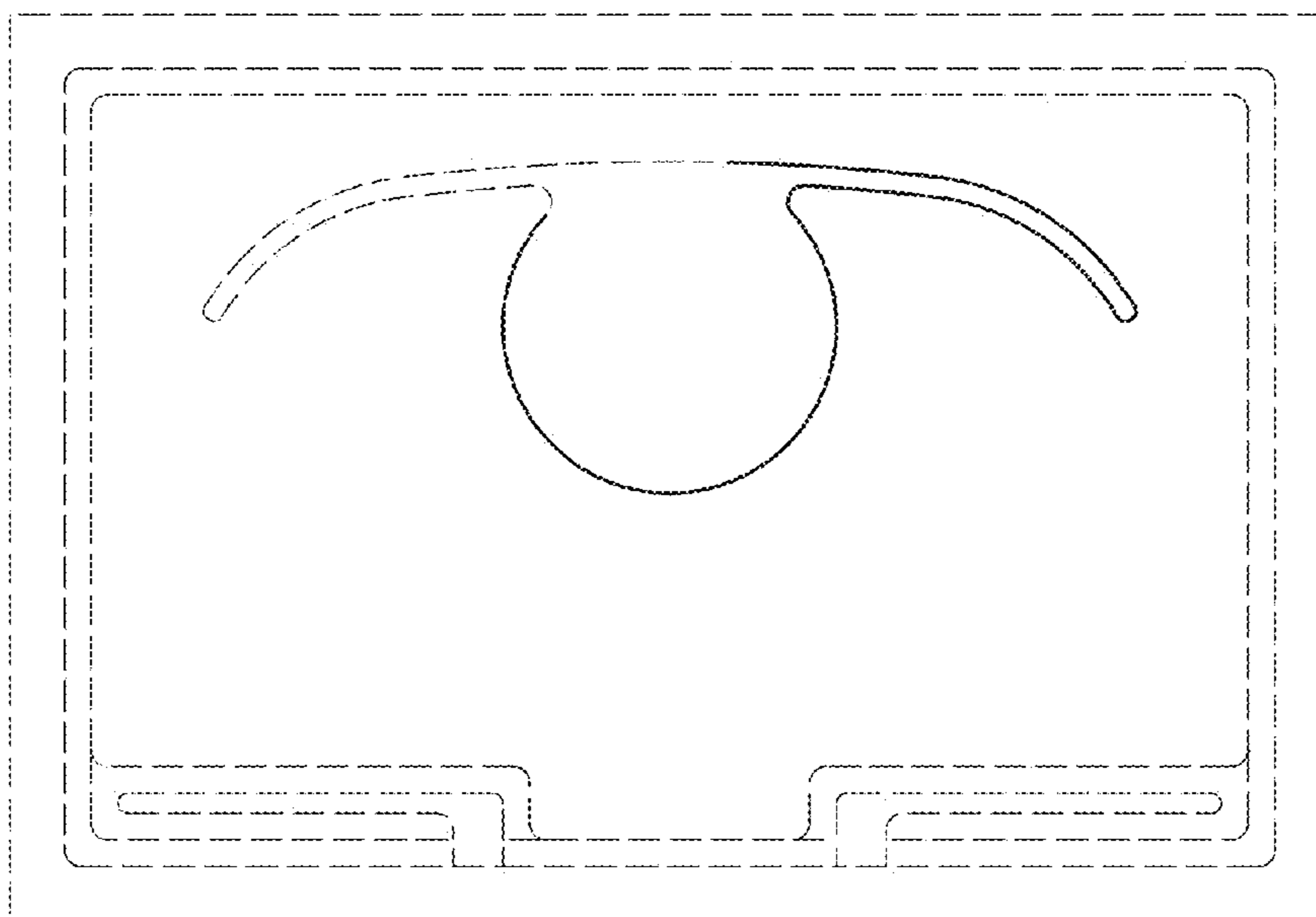


FIG.9

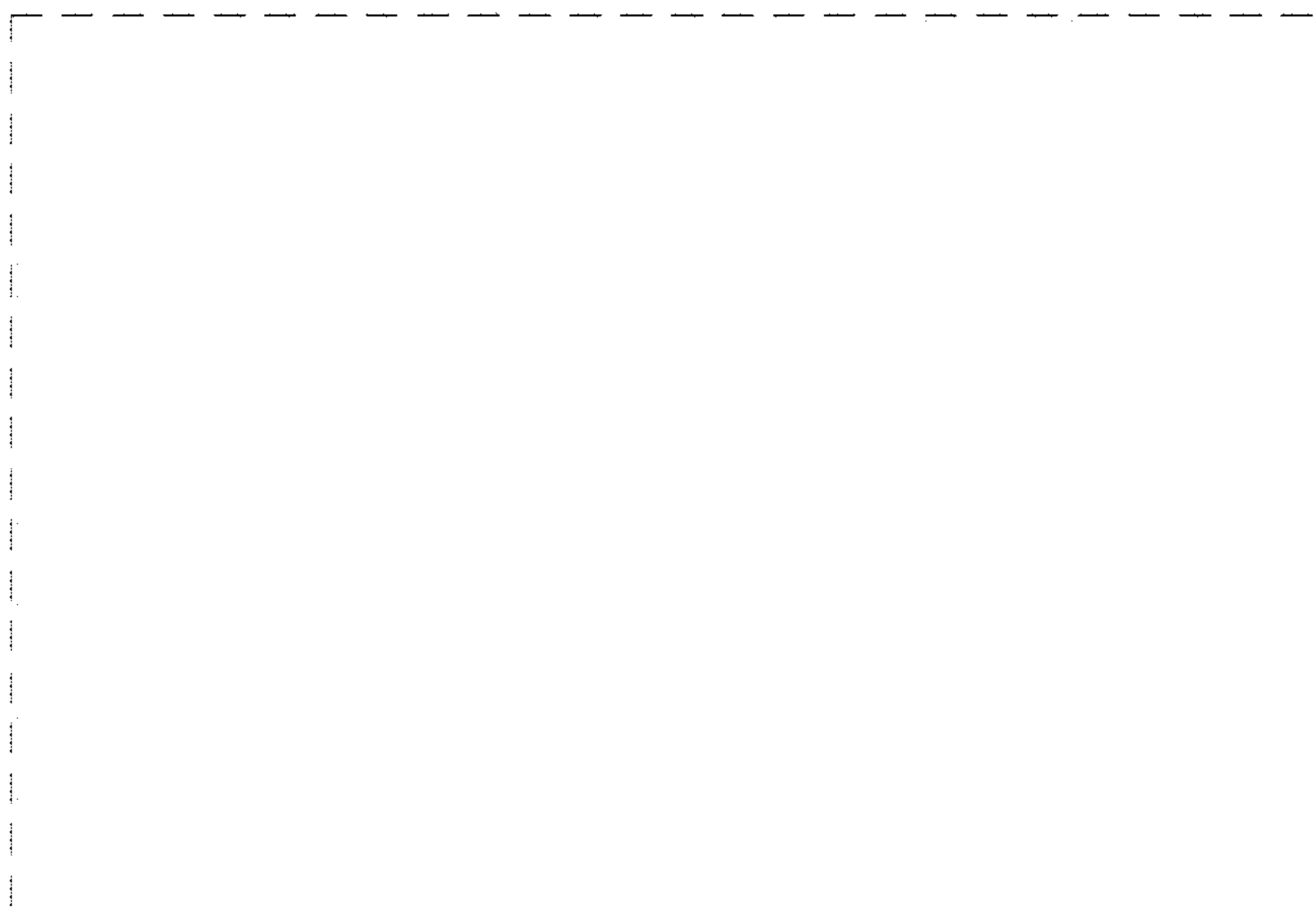


FIG.10

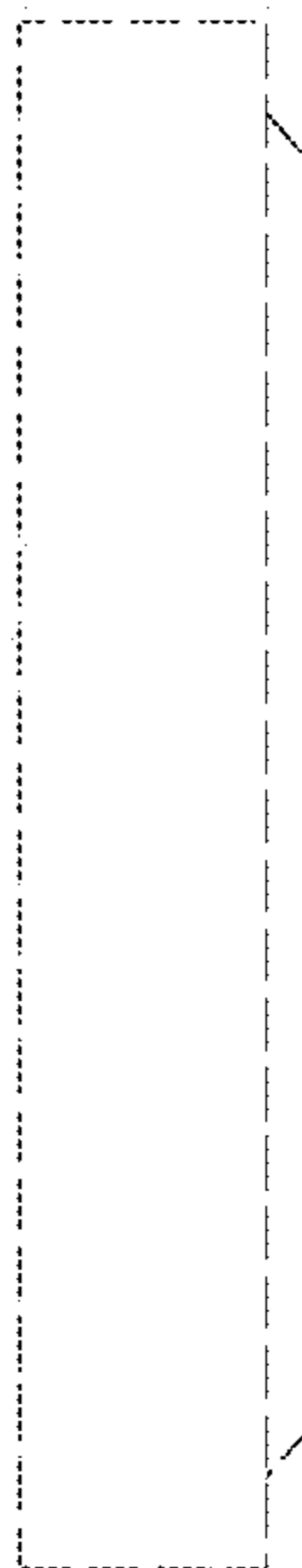


FIG.11

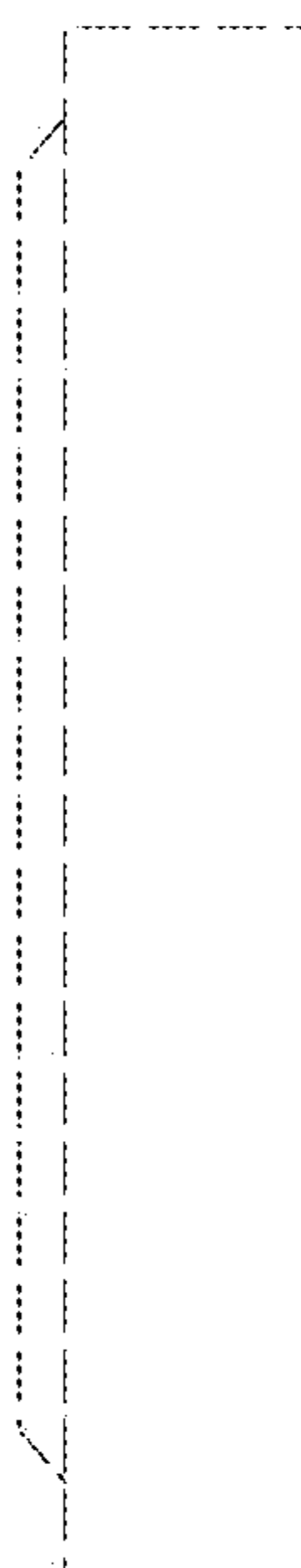


FIG.12

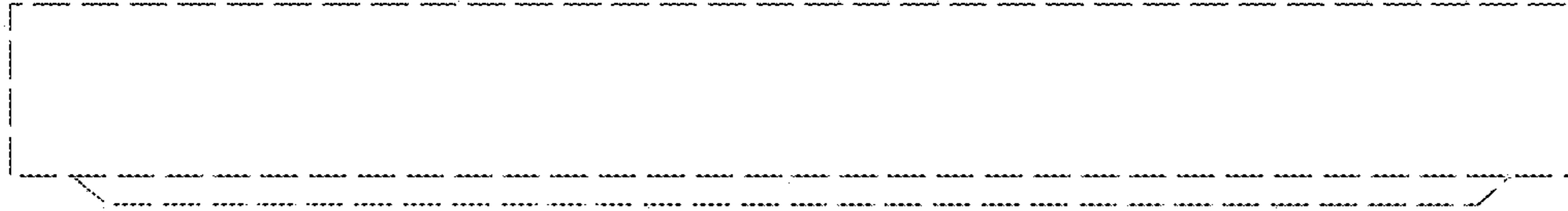


FIG. 13

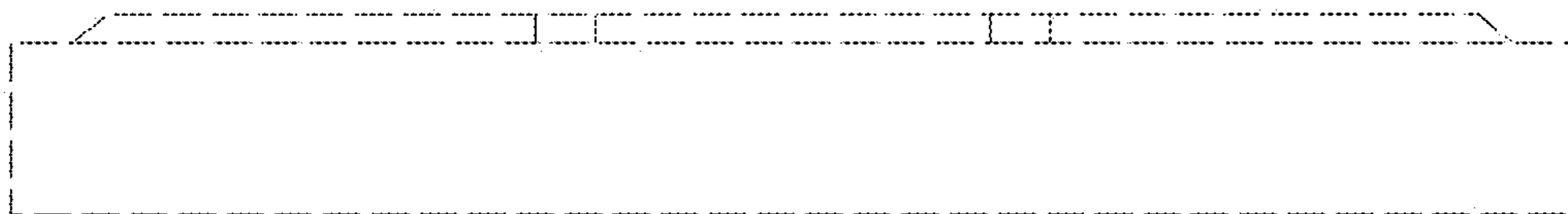


FIG. 14