



US00D715969S

(12) **United States Design Patent**
Tuncel

(10) **Patent No.:** **US D715,969 S**

(45) **Date of Patent:** **** Oct. 21, 2014**

(54) **STANCHION**

(71) Applicant: **Levent Tuncel**, Marietta, GA (US)

(72) Inventor: **Levent Tuncel**, Marietta, GA (US)

(**) Term: **14 Years**

(21) Appl. No.: **29/451,222**

(22) Filed: **Mar. 28, 2013**

(51) **LOC (10) Cl.** **25-01**

(52) **U.S. Cl.**
USPC **D25/126**

(58) **Field of Classification Search**
USPC D25/126, 48.5, 48.6; 49/49, 34;
40/607.12; 256/1

See application file for complete search history.

(56) **References Cited**

U.S. PATENT DOCUMENTS

6,682,055	B1 *	1/2004	Tomlinson et al.	256/1
6,969,050	B1 *	11/2005	Loebner	256/1
7,178,790	B2 *	2/2007	de Lorenzo	256/59
D621,529	S *	8/2010	Paige	D25/126

* cited by examiner

Primary Examiner — Doris Clark

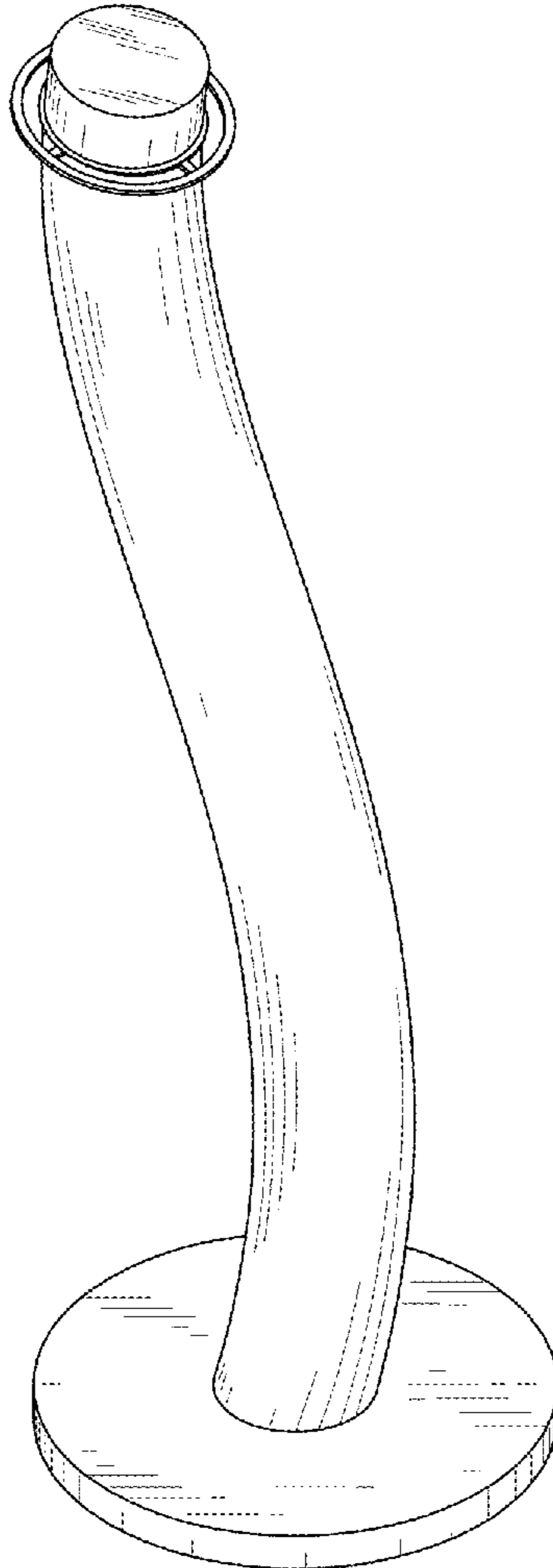
(57) **CLAIM**

The ornamental design for a stanchion, as shown and described.

DESCRIPTION

FIG. 1 is a perspective view of a stanchion;
FIG. 2 is a front view thereof;
FIG. 3 is a rear view thereof;
FIG. 4 is a right view thereof;
FIG. 5 is a left view thereof;
FIG. 6 is a top view thereof; and,
FIG. 7 is a bottom plan view thereof.

1 Claim, 7 Drawing Sheets



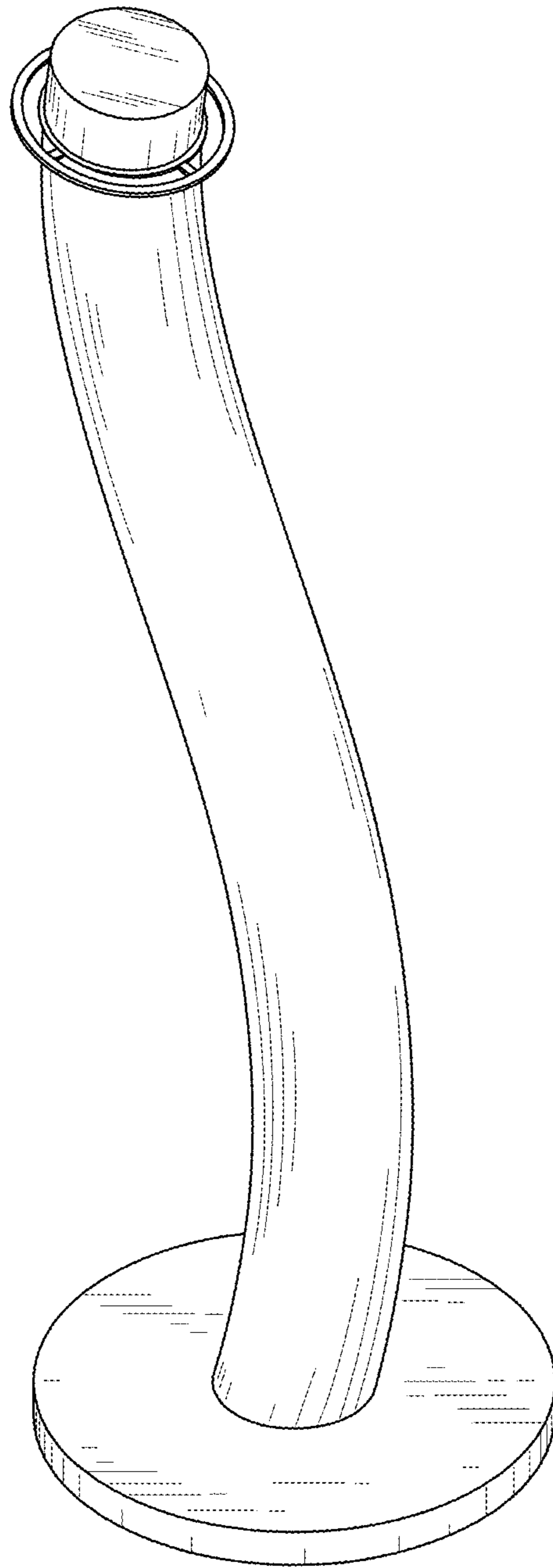


FIG. 1

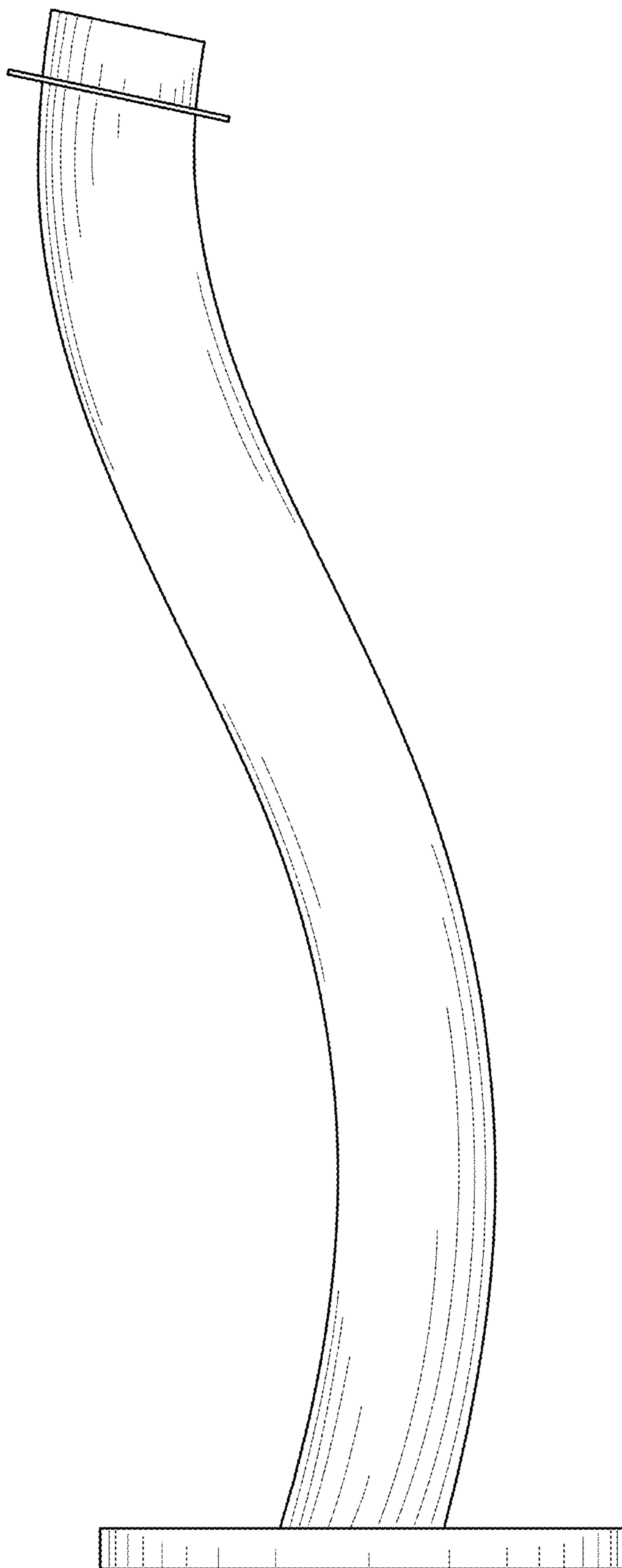


FIG. 2

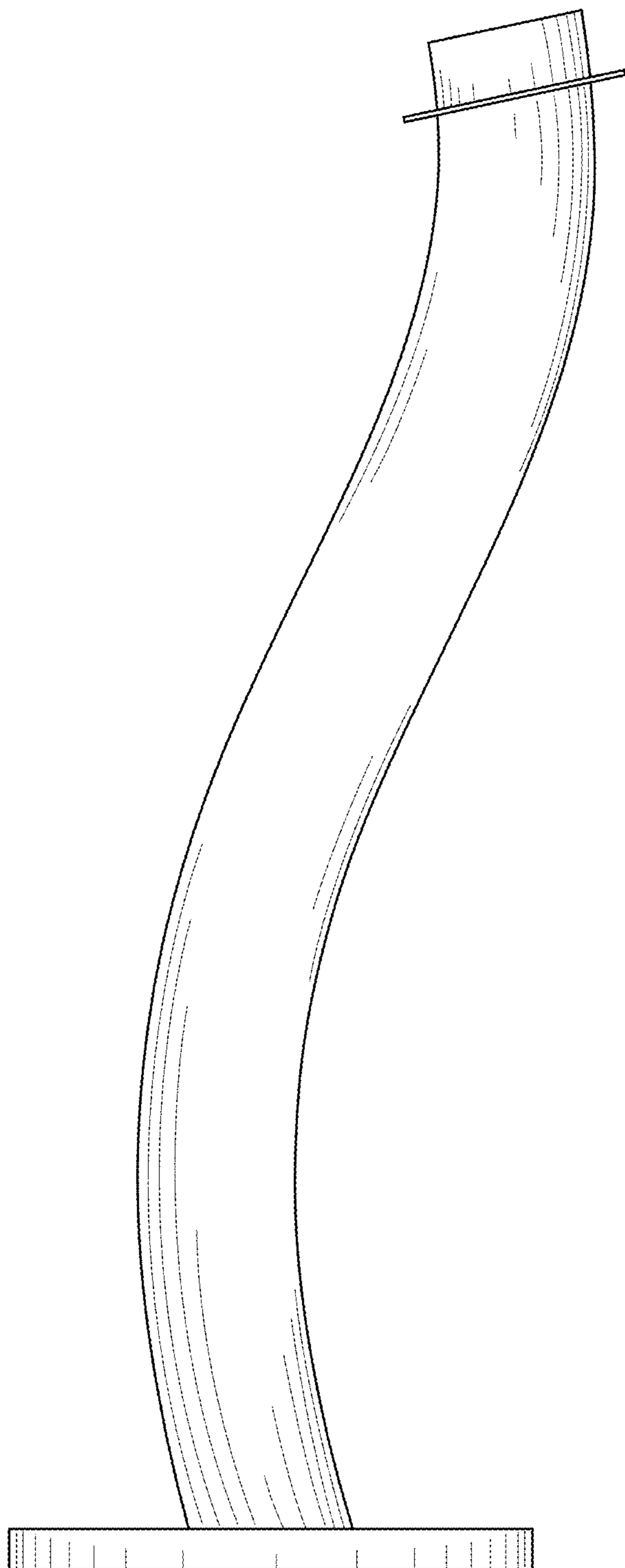


FIG. 3

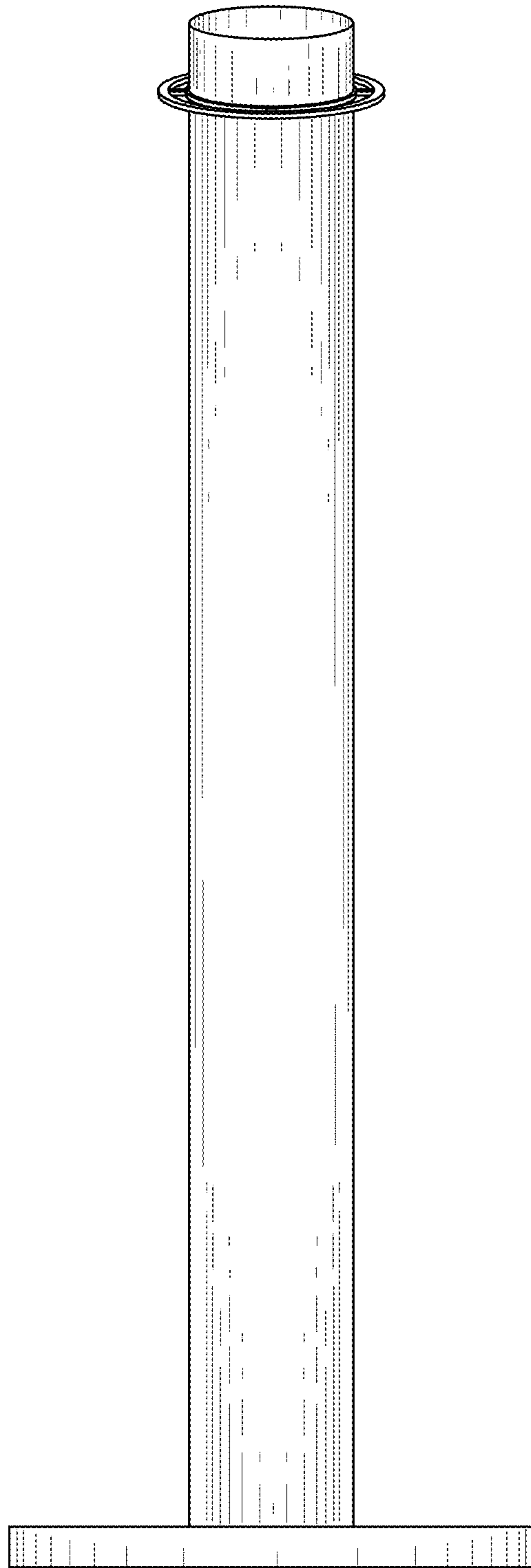


FIG. 4

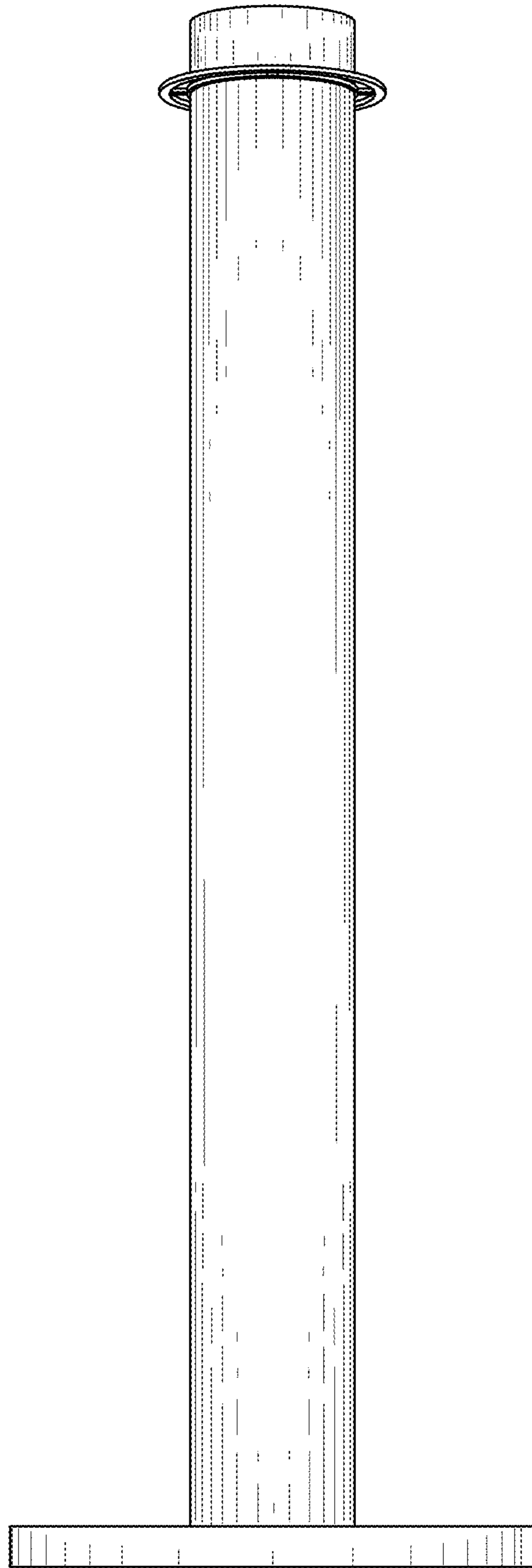


FIG. 5

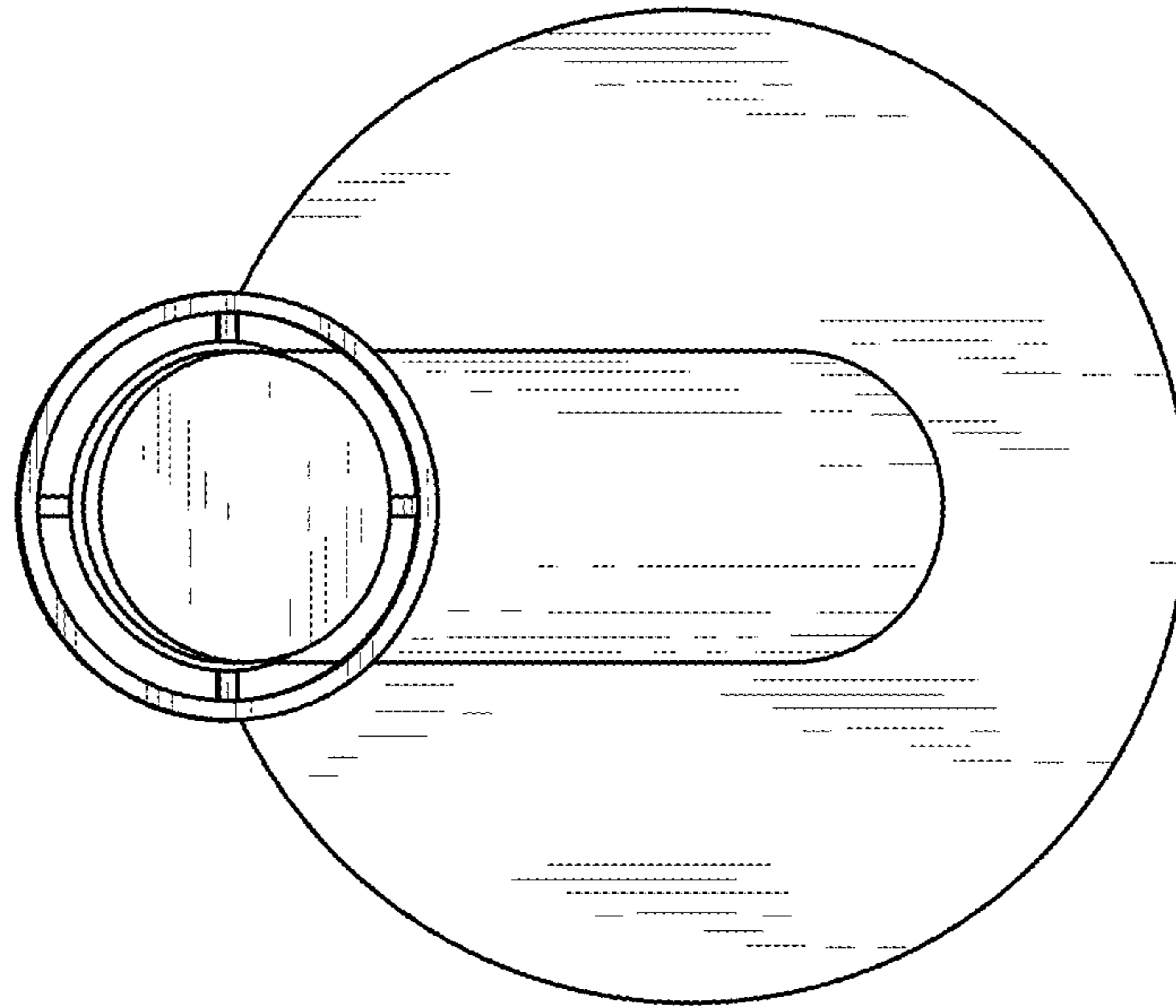


FIG. 6

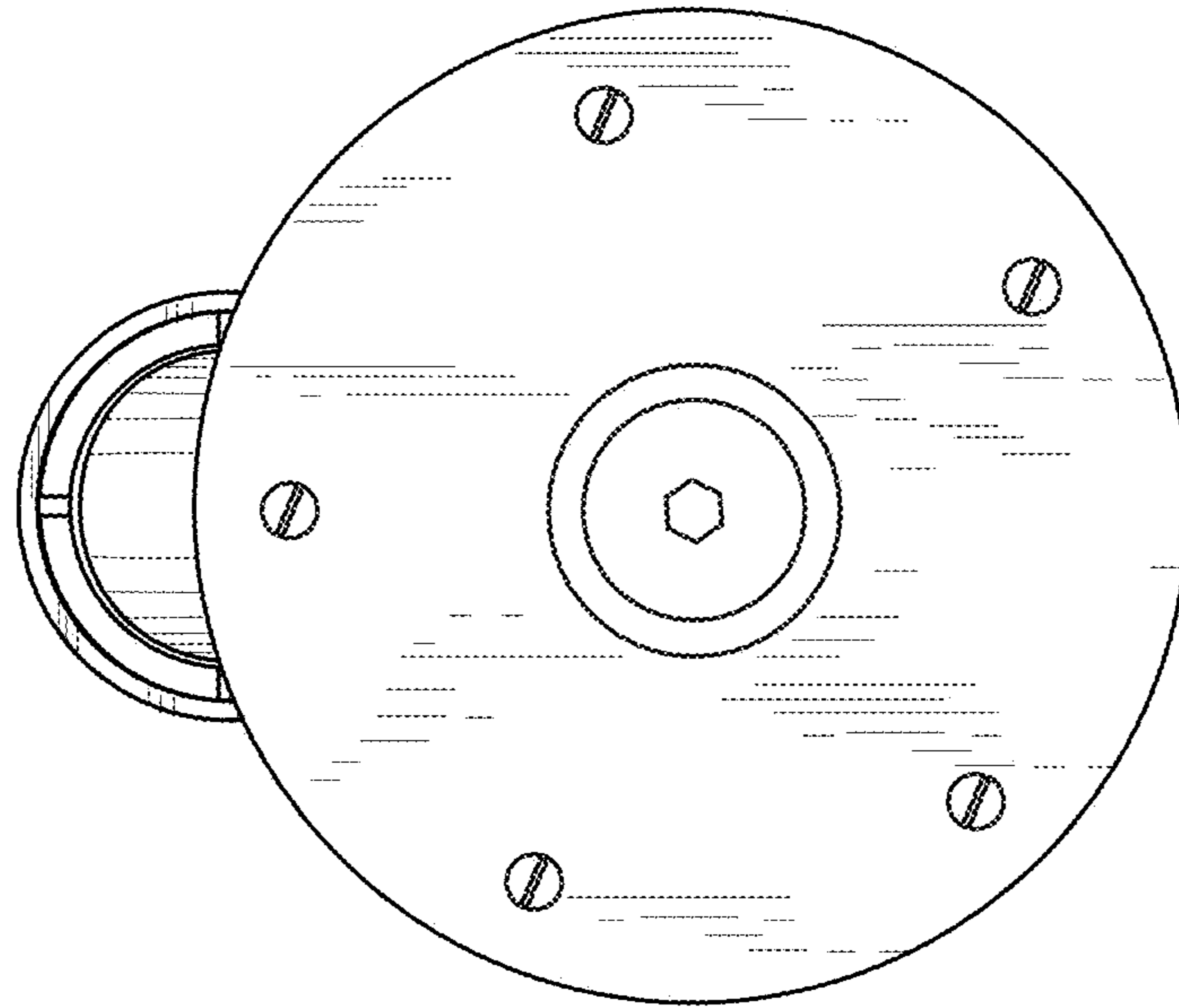


FIG. 7