



US00D715965S

(12) **United States Design Patent**  
**Kim**

(10) **Patent No.:** **US D715,965 S**

(45) **Date of Patent:** **\*\* Oct. 21, 2014**

(54) **PANEL FOR FIXING A FILLER**

(71) Applicant: **URITEC Co. Ltd**, Cheonan-Si (KR)

(72) Inventor: **Yongho Kim**, Seoul (KR)

(\*\*) Term: **14 Years**

(21) Appl. No.: **29/465,366**

(22) Filed: **Aug. 27, 2013**

(30) **Foreign Application Priority Data**

May 2, 2013 (KR) ..... 30-2013-0023231

May 23, 2013 (KR) ..... 30-2013-0026695

(51) **LOC (10) Cl.** ..... **25-01**

(52) **U.S. Cl.**  
USPC ..... **D25/115**

(58) **Field of Classification Search**  
USPC ..... D25/113-118, 136, 138, 152-162, 164,  
D25/199; 404/42, 43, 70; 52/181, 581;  
47/33; D8/1  
See application file for complete search history.

(56) **References Cited**

**U.S. PATENT DOCUMENTS**

D94,281 S \* 1/1935 Rocic ..... D25/156  
2,854,104 A \* 9/1958 Marcy, Jr. et al. .... 52/666  
D187,291 S \* 2/1960 Deaton ..... D25/156

2,971,083 A \* 2/1961 Phillips et al. .... 362/342  
4,179,540 A \* 12/1979 Smarook ..... 428/71  
D327,543 S \* 6/1992 Gardner ..... D25/138  
D411,314 S \* 6/1999 Reed ..... D25/113  
D457,970 S \* 5/2002 Stepanchick ..... D25/113  
D571,024 S \* 6/2008 Lee ..... D25/199  
D585,096 S \* 1/2009 Lin ..... D21/485  
D593,220 S \* 5/2009 Reed ..... D25/153  
8,398,332 B2 \* 3/2013 Allen ..... 404/70

\* cited by examiner

*Primary Examiner* — Anhdao Doan

(74) *Attorney, Agent, or Firm* — KORUS Patent, LLC;  
Seong Il Jeong

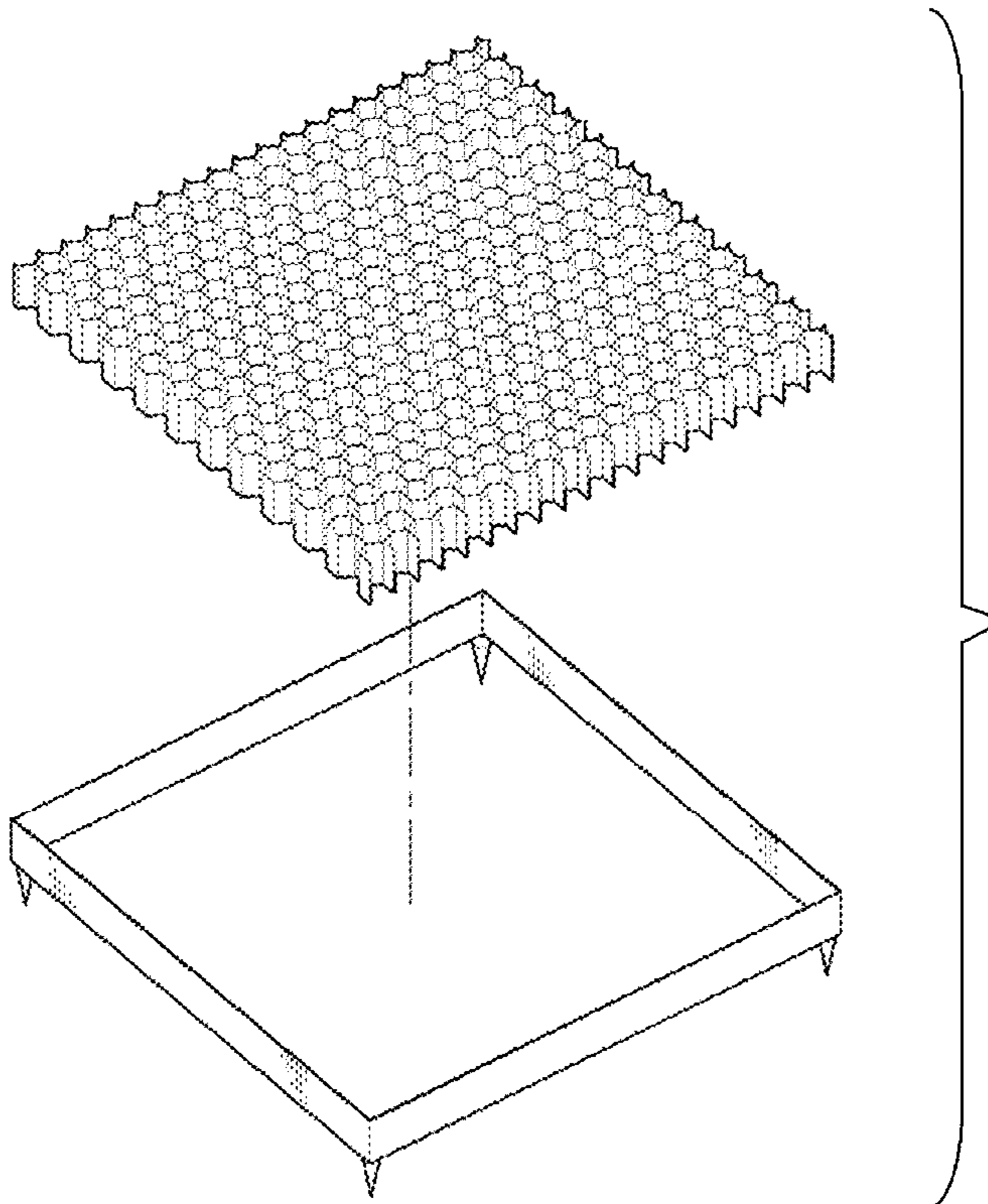
(57) **CLAIM**

The ornamental design for a panel for fixing a filler, as shown and described.

**DESCRIPTION**

FIG. 1 is a top perspective view of a panel for fixing a filler showing my new design;  
FIG. 2 is a bottom perspective view thereof;  
FIG. 3 is a front elevational view thereof, the rear view being a mirror image;  
FIG. 4 is a left side elevational view thereof, the right side being a mirror image;  
FIG. 5 is a top plan view thereof;  
FIG. 6 is a bottom plan view thereof; and,  
FIG. 7 is an exploded view showing the association of elements.

**1 Claim, 5 Drawing Sheets**



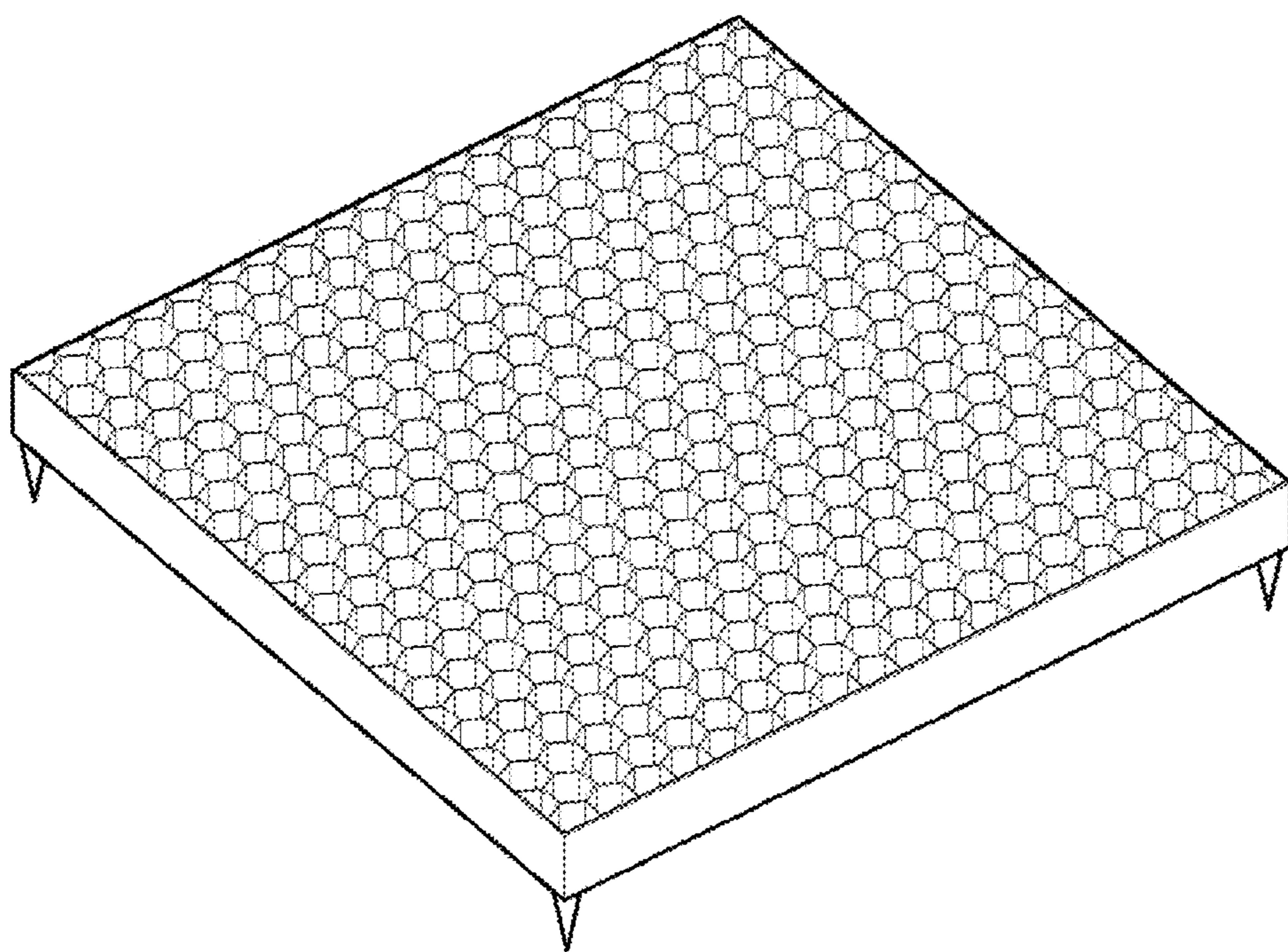


FIG. 1

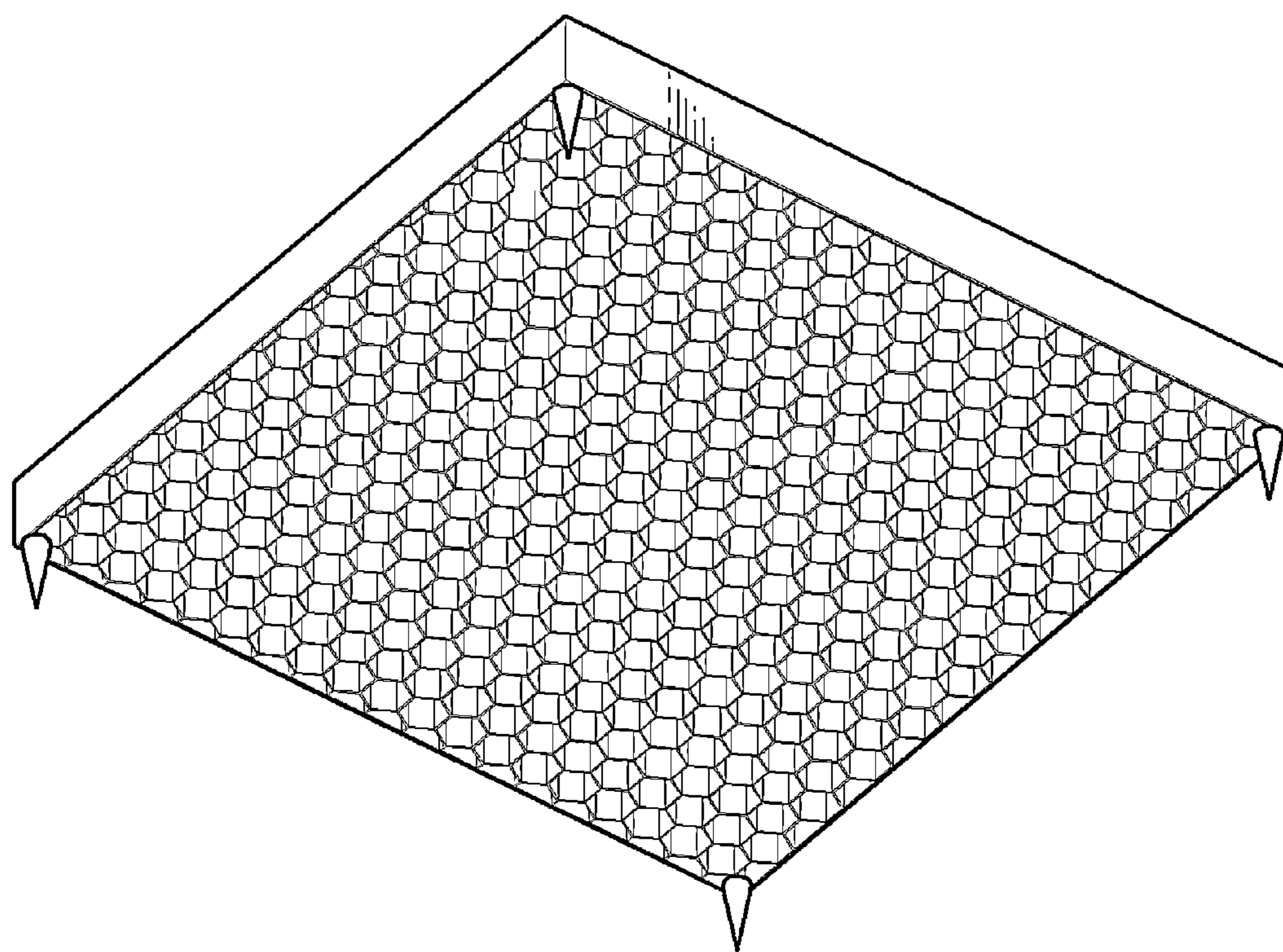


FIG. 2

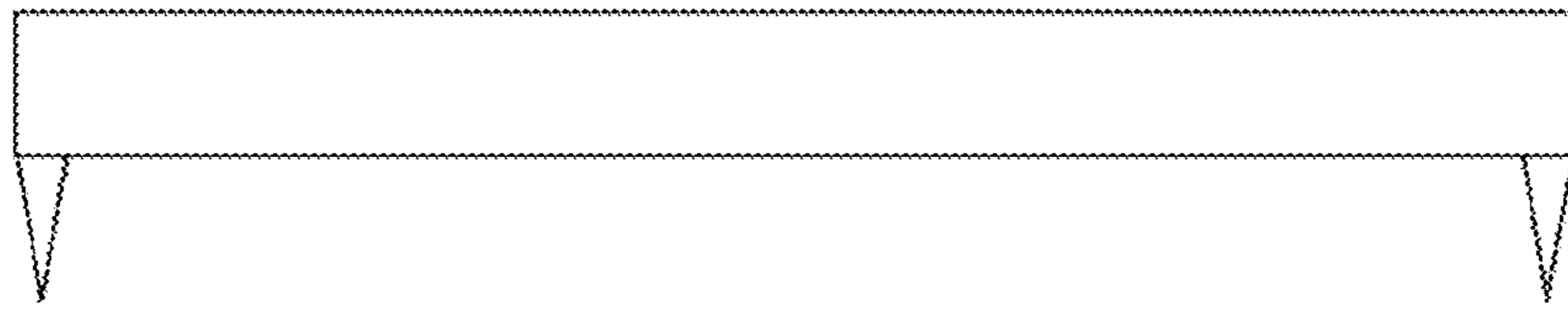


FIG. 3

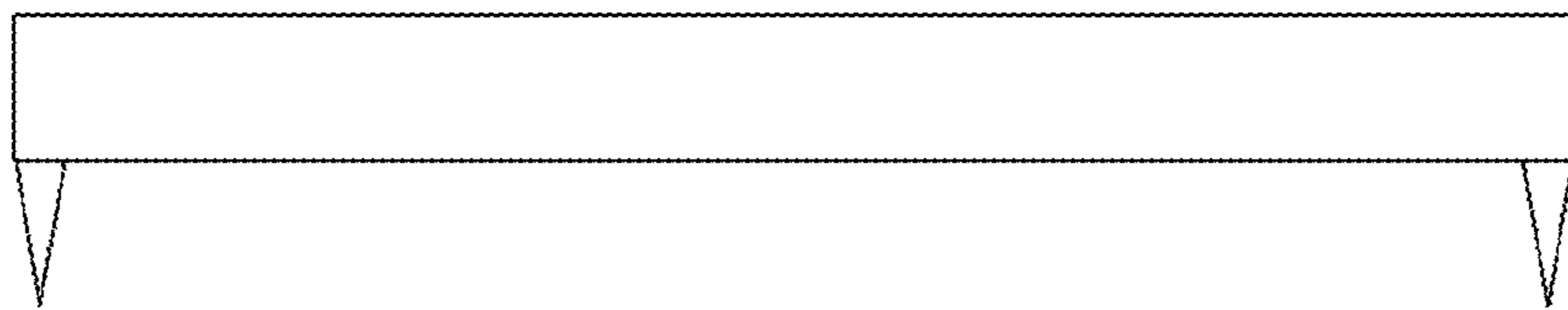


FIG. 4



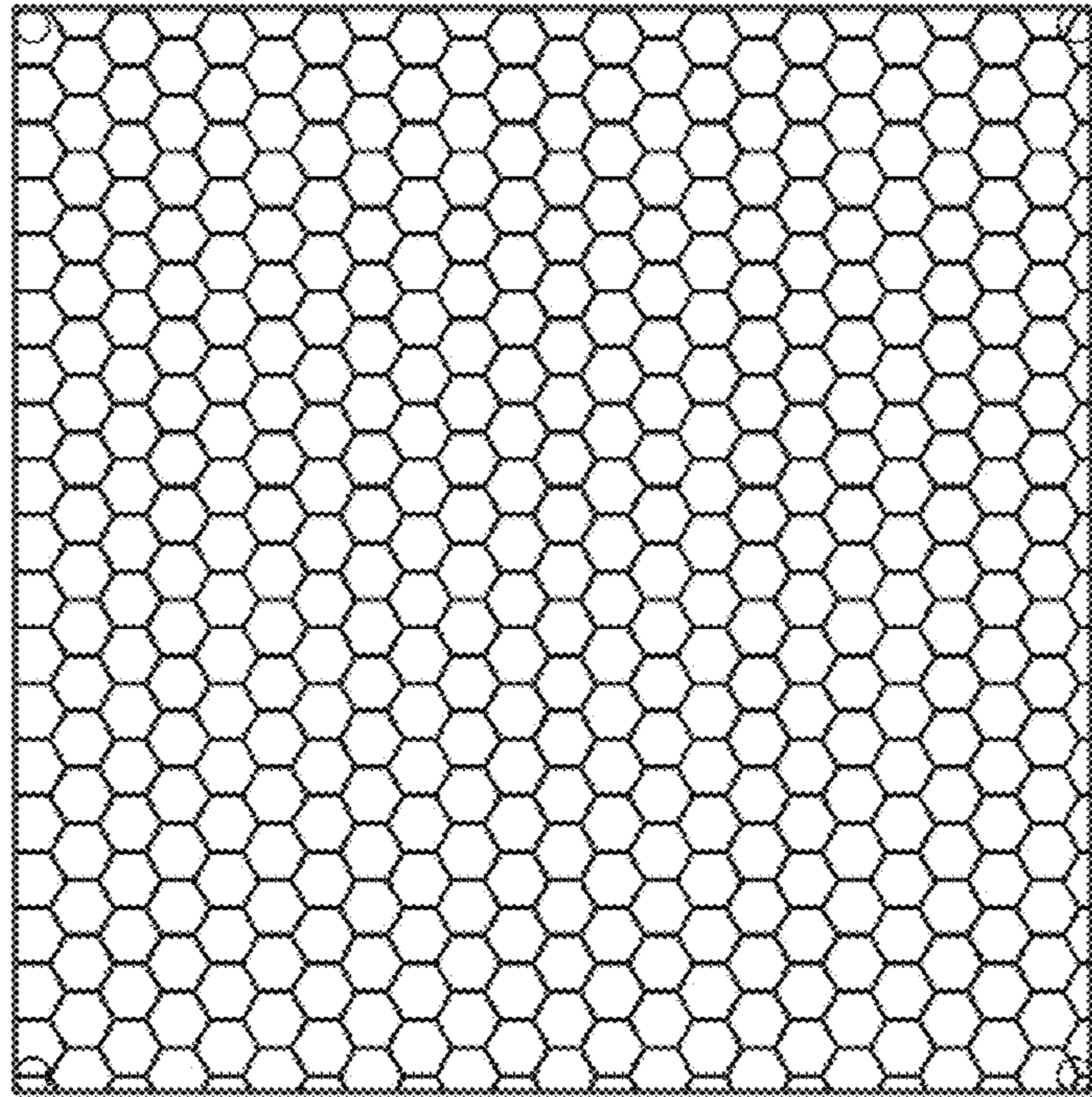


FIG. 5

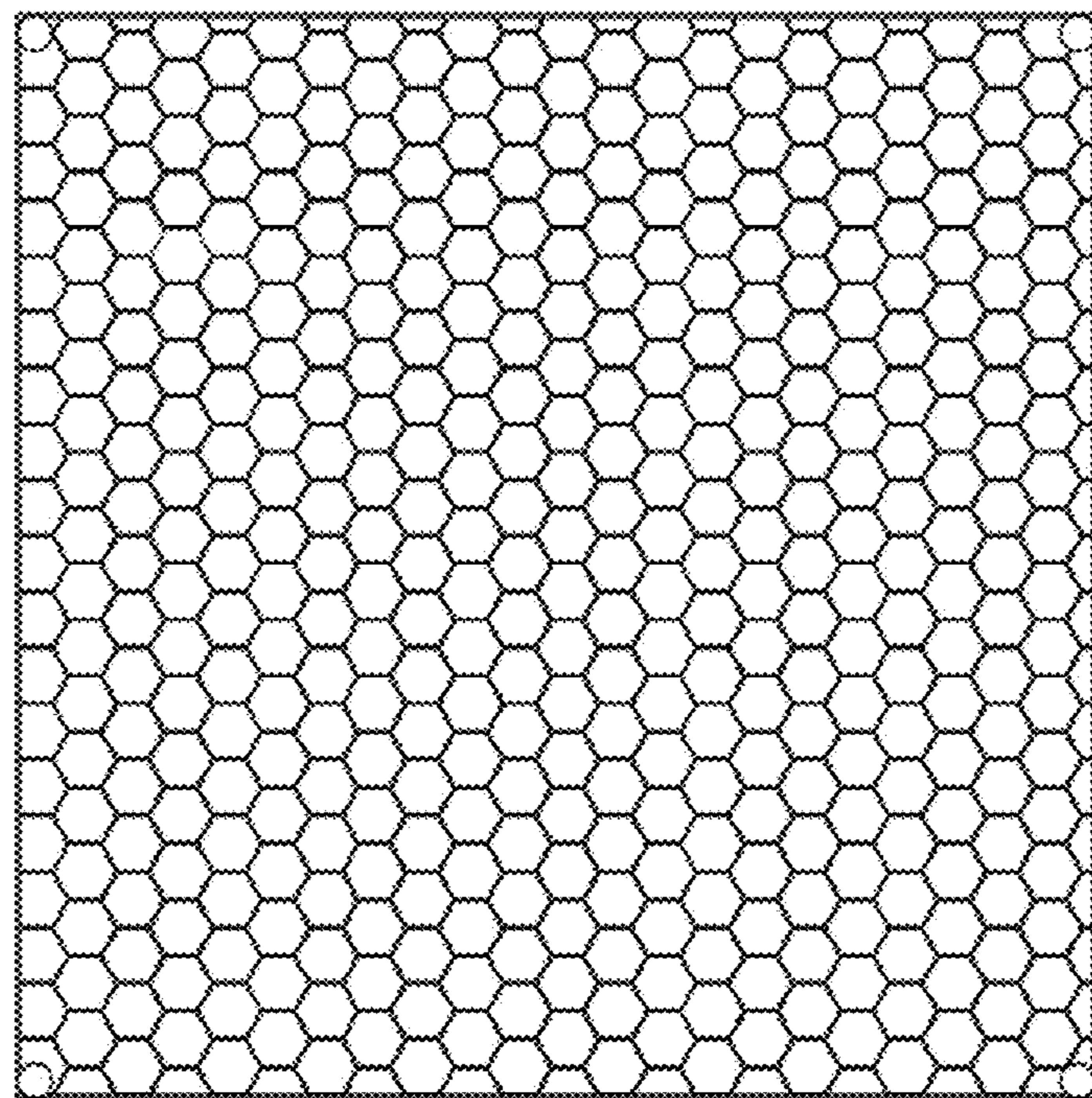


FIG. 6

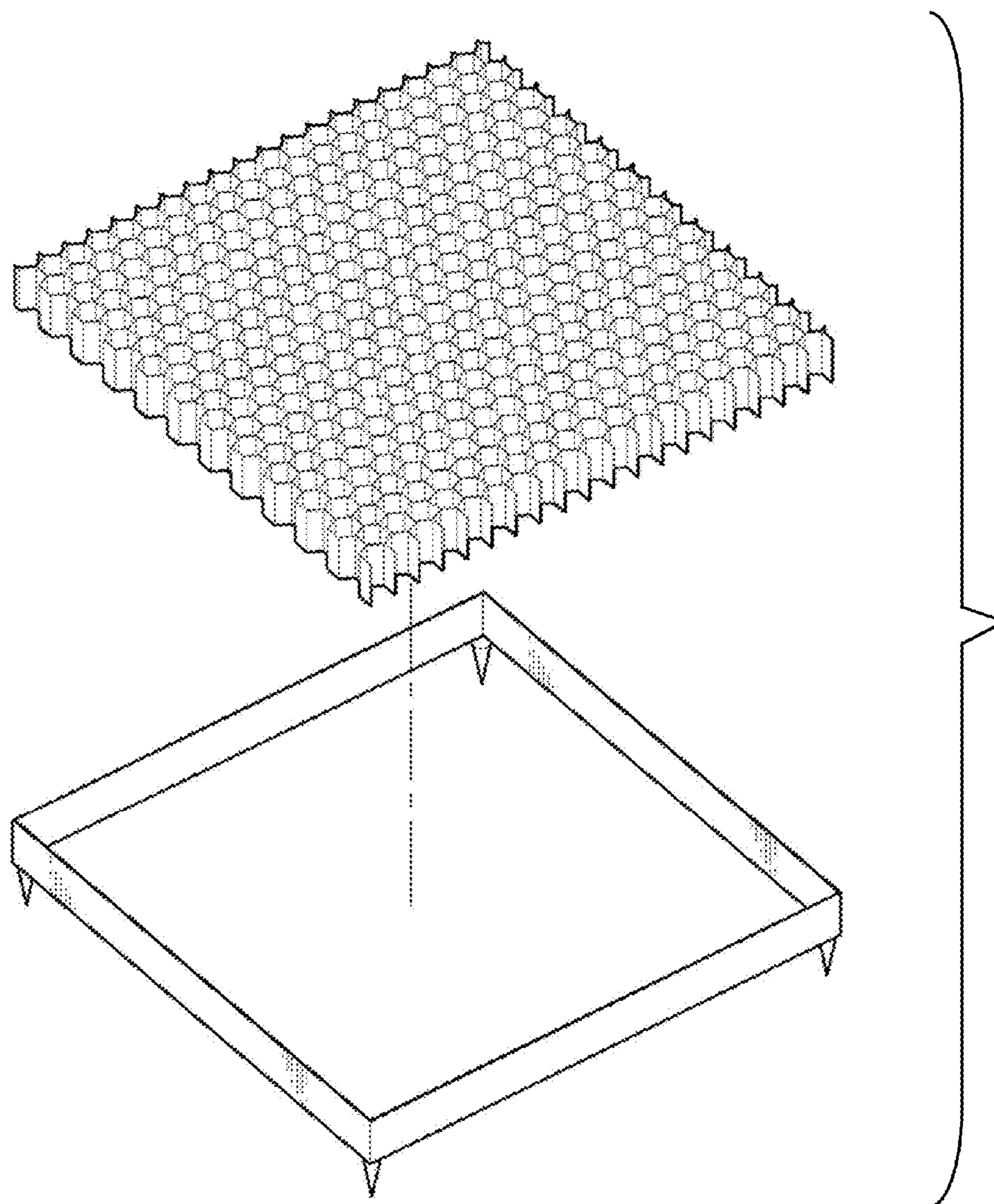


FIG. 7