



US00D715964S

(12) **United States Design Patent**
Von Hebestreit

(10) **Patent No.:** **US D715,964 S**
(45) **Date of Patent:** **** Oct. 21, 2014**

(54) **LADDER SAFETY REST**
(71) Applicant: **Norbert Von Hebestreit**, Teringie (AU)
(72) Inventor: **Norbert Von Hebestreit**, Teringie (AU)
(73) Assignee: **Ladder Safe Enterprises Pty., Ltd.**,
Teringie, South Australia (AU)
(**) Term: **14 Years**

(21) Appl. No.: **29/451,904**
(22) Filed: **Apr. 10, 2013**

(30) **Foreign Application Priority Data**
Oct. 10, 2012 (AU) 15013/2012
(51) **LOC (10) Cl.** **25-04**
(52) **U.S. Cl.**
USPC **D25/68**
(58) **Field of Classification Search**
USPC D25/68; 182/106, 107, 112, 206
See application file for complete search history.

(56) **References Cited**
U.S. PATENT DOCUMENTS
D406,652 S * 3/1999 Marchand D25/68
D425,211 S 5/2000 Schigulski
D457,651 S * 5/2002 Brown D25/68

6,837,338 B2 * 1/2005 Grover 182/214
2006/0231333 A1 * 10/2006 Proulx 182/107
2007/0284189 A1 * 12/2007 Chady 182/107

FOREIGN PATENT DOCUMENTS

AU 199603990 11/1996
AU 199900294 2/1999
AU 200101947 6/2001

* cited by examiner

Primary Examiner — Doris Clark
(74) *Attorney, Agent, or Firm* — Klauber & Jackson LLC

(57) **CLAIM**
The ornamental design for a ladder safety rest, as shown and described.

DESCRIPTION

FIG. 1 is a perspective view showing the front, top and left side of the ladder safety rest of my new design;
FIG. 2 is a perspective view showing the rear, top and right side view thereof;
FIG. 3 is a rear view thereof;
FIG. 4 is a left side view, the right side view being the mirror image thereof;
FIG. 5 is a top view thereof;
FIG. 6 is a front view thereof; and,
FIG. 7 is a bottom view thereof.

1 Claim, 5 Drawing Sheets

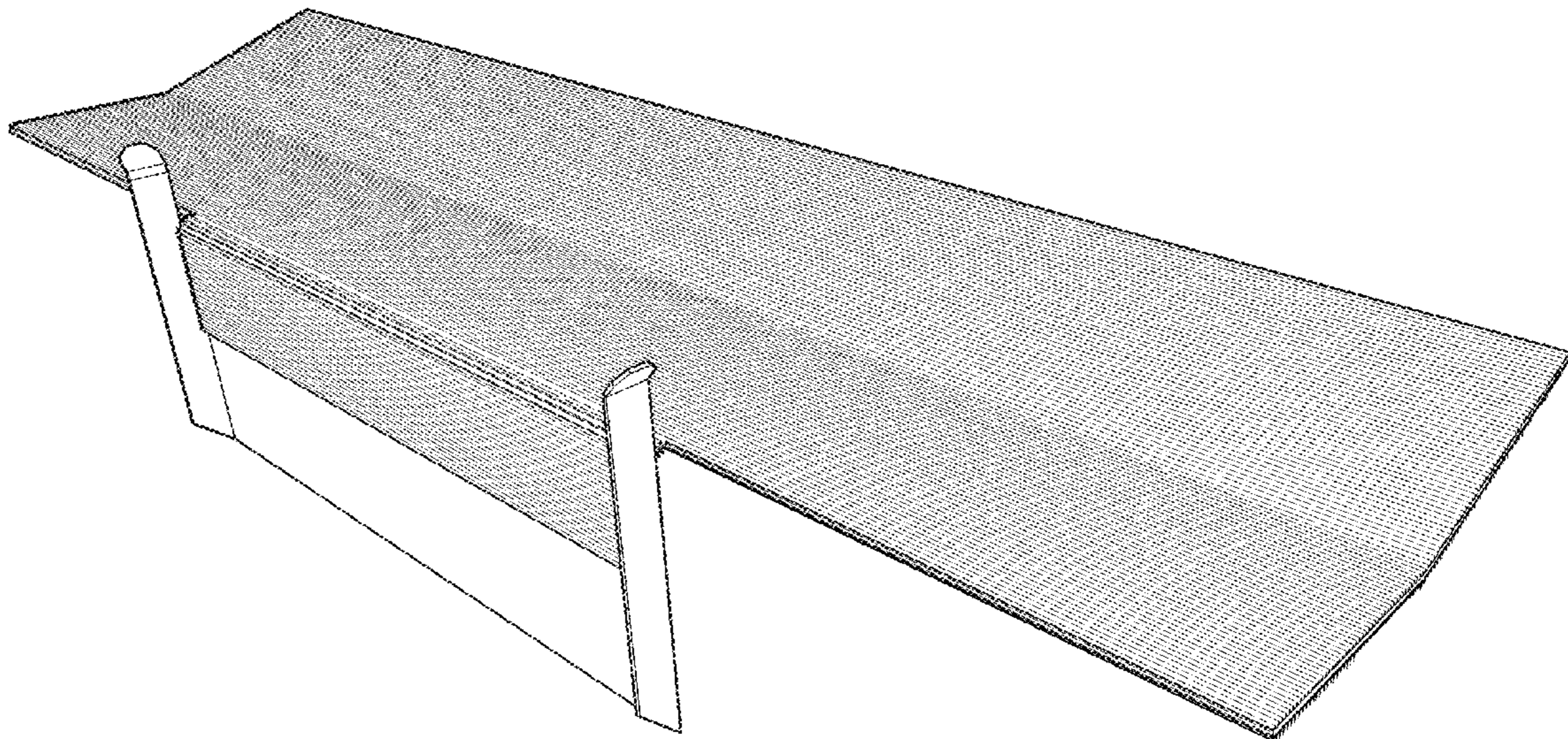


FIG. 1

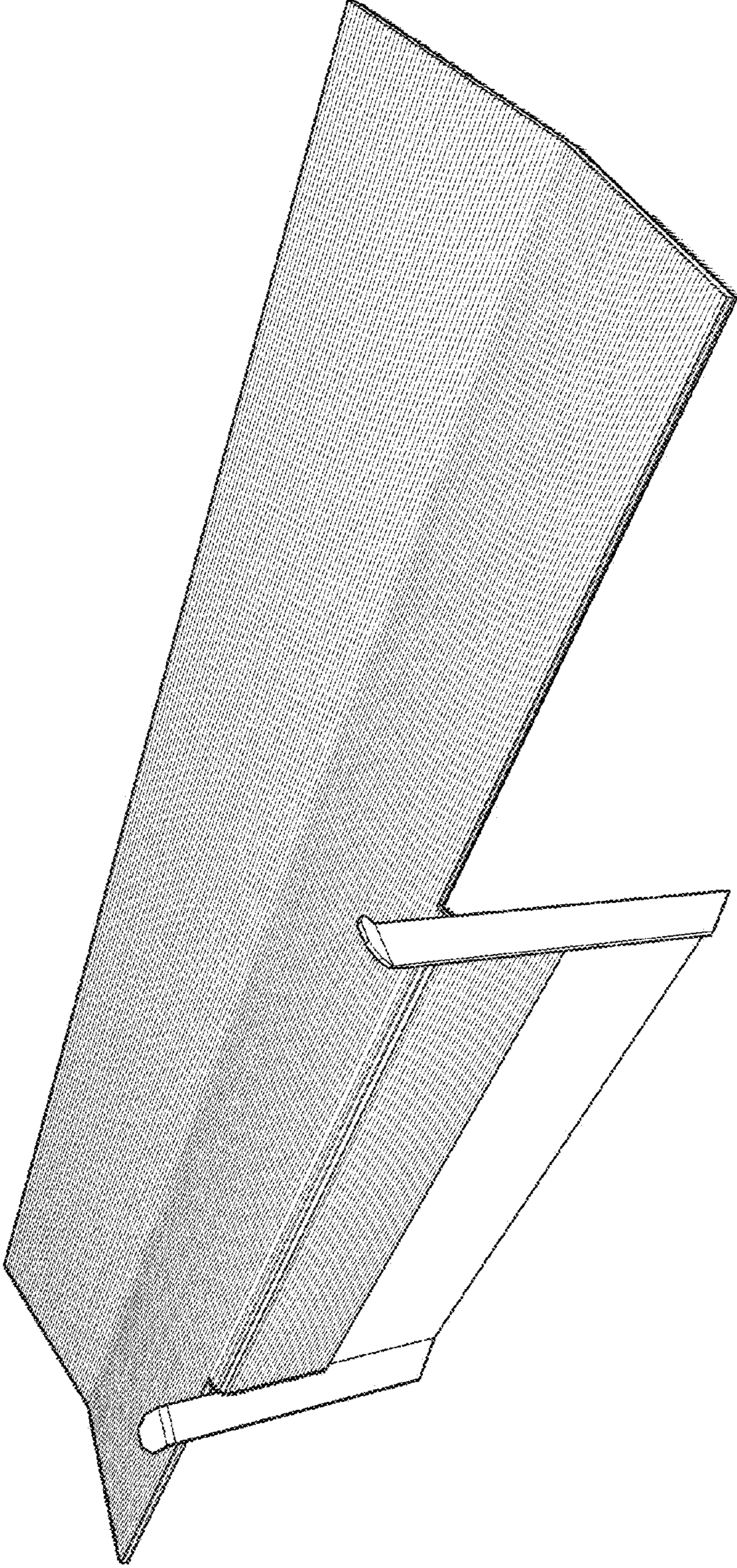


FIG. 2

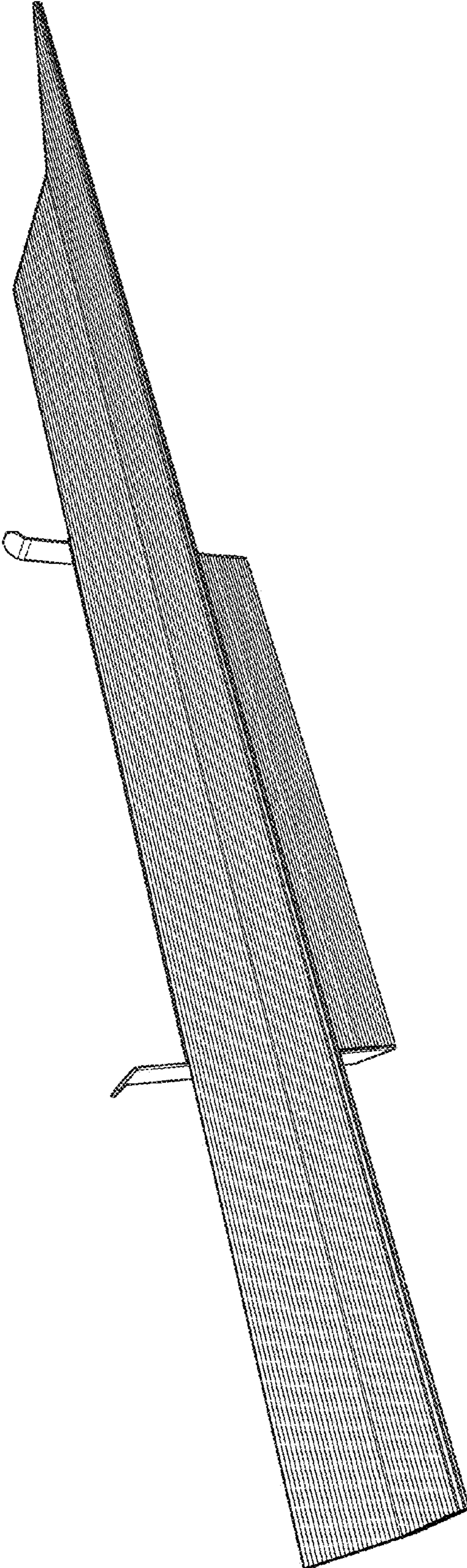


FIG. 3

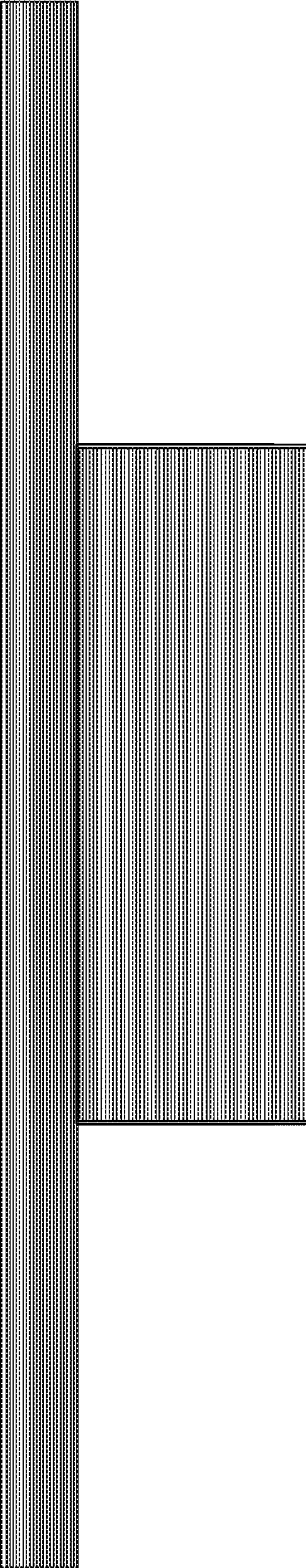


FIG. 4

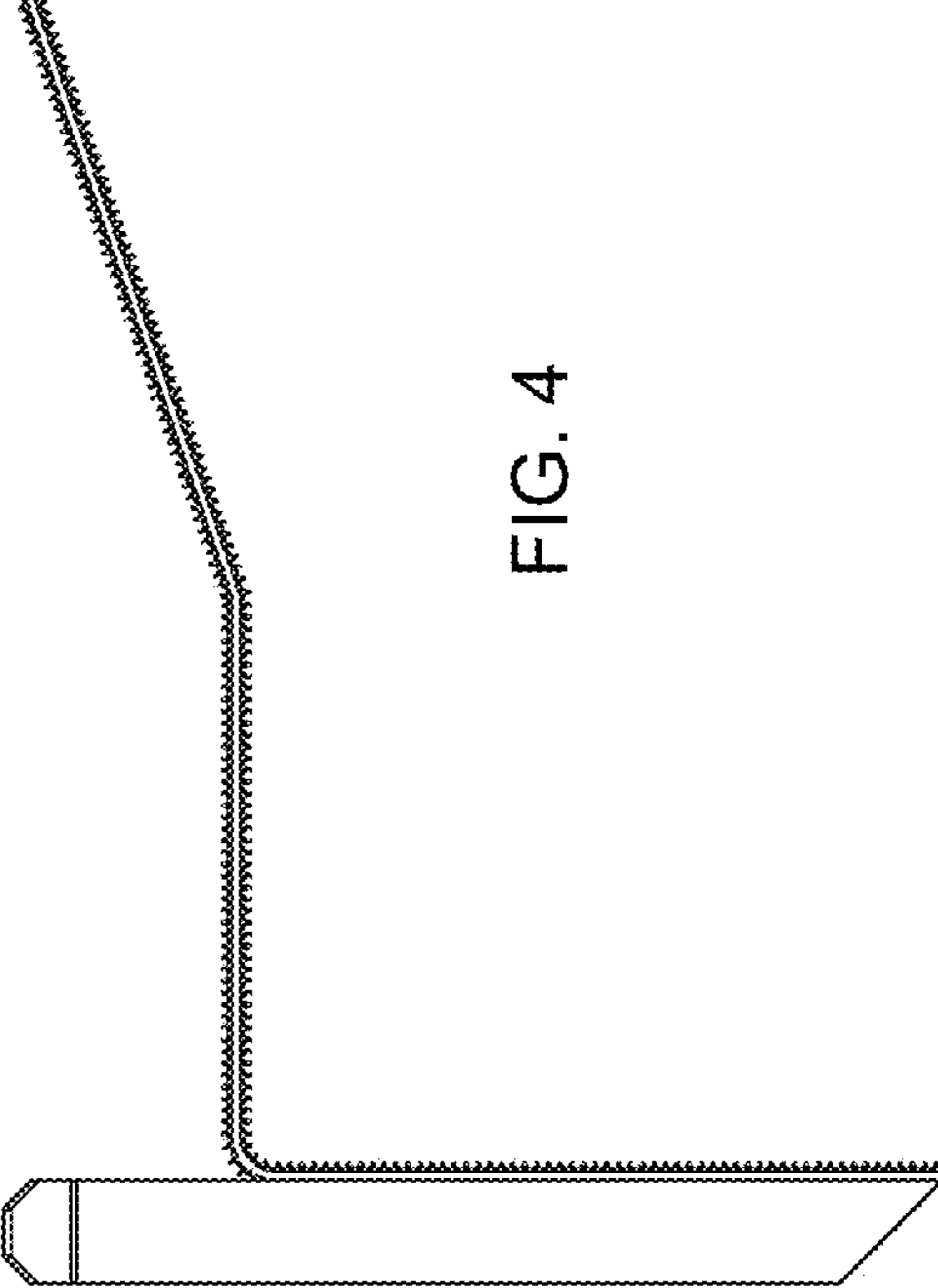


FIG. 5

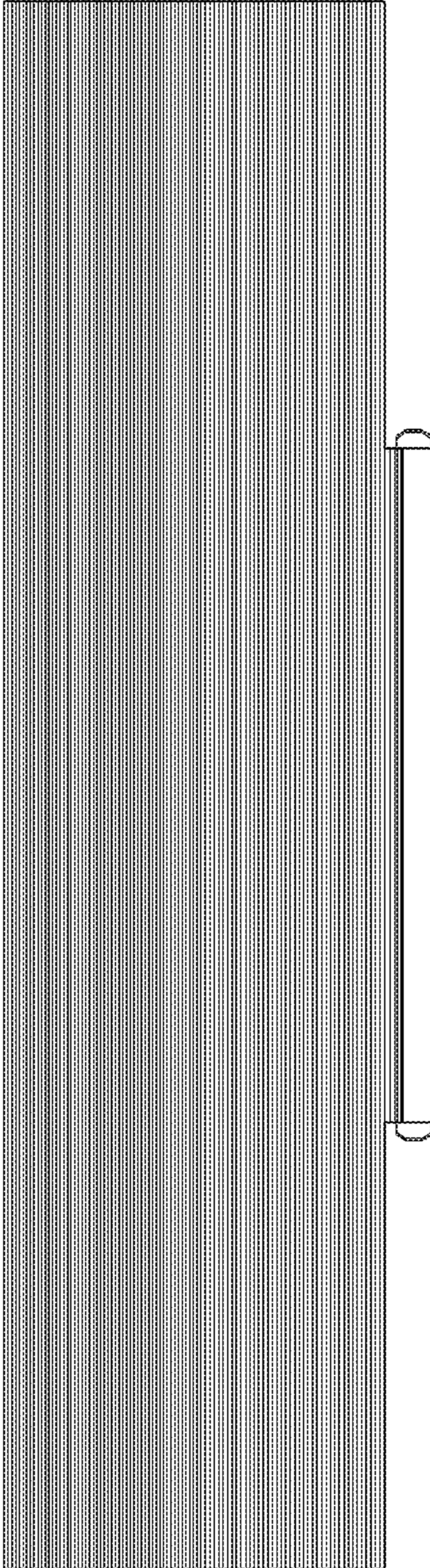
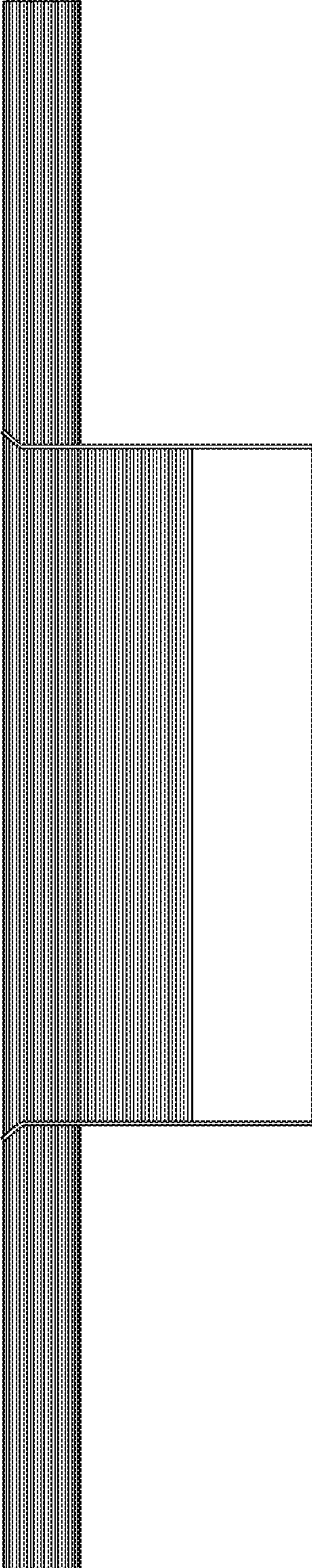


FIG. 6



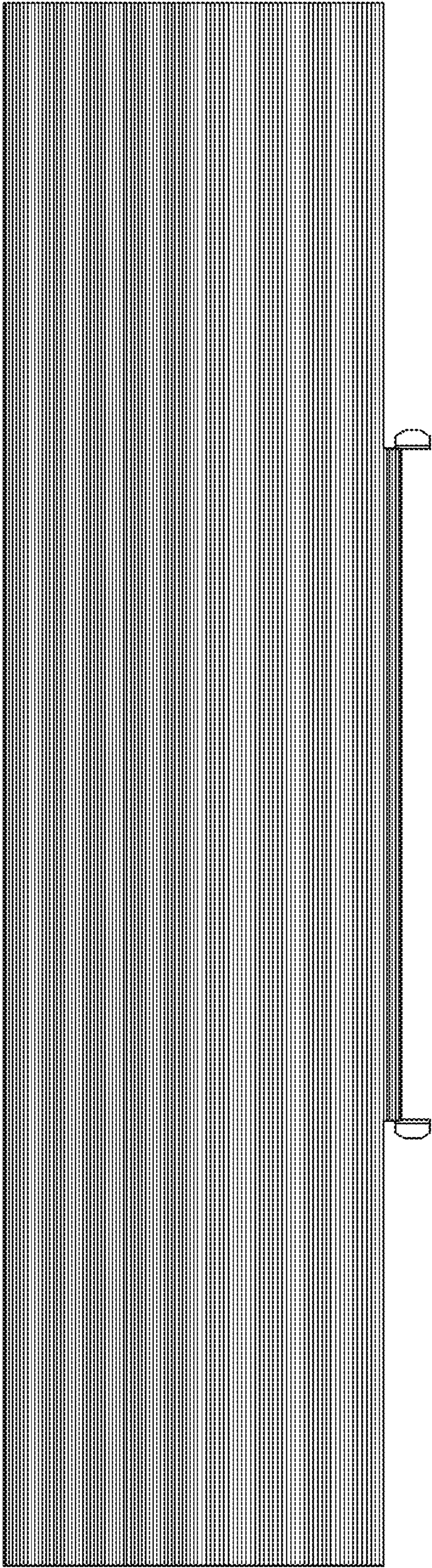


FIG. 7