



US00D715962S

(12) **United States Design Patent**
Svirsky

(10) **Patent No.:** **US D715,962 S**

(45) **Date of Patent:** **** Oct. 21, 2014**

(54) **DOOR OR WINDOW AWNING**

(56) **References Cited**

(71) Applicant: **Alexander Svirsky**, Aurora, CO (US)

U.S. PATENT DOCUMENTS

(72) Inventor: **Alexander Svirsky**, Aurora, CO (US)

2,795,826 A *	6/1957	Turteltaub	52/74
D194,499 S *	2/1963	Trombley	D25/57
3,092,171 A *	6/1963	Deddo	160/40
6,421,966 B1 *	7/2002	Braunstein et al.	52/173.3

(**) Term: **14 Years**

* cited by examiner

(21) Appl. No.: **29/438,705**

Primary Examiner — Doris Clark

(22) Filed: **Dec. 1, 2012**

(74) *Attorney, Agent, or Firm* — Alexander R. Svirsky

(57) **CLAIM**

The ornamental design for a window or door awning, as shown.

Related U.S. Application Data

DESCRIPTION

(63) Continuation-in-part of application No. 29/402,736, filed on Sep. 27, 2011, now Pat. No. Des. 674,915.

FIG. 1 is perspective top and right side view of a door or window awning showing my new design;
FIG. 2 is a perspective right side and bottom view thereof;
FIG. 3 is a rear and bottom view thereof;
FIG. 4 is perspective top and right side view of a second embodiment thereof;
FIG. 5 is a perspective right side and bottom view of a second embodiment thereof; and,
FIG. 6 is a rear and bottom view of a second embodiment thereof.
The left side view of the awning is a minor image of the right side.

(51) **LOC (10) Cl.** **25-02**

(52) **U.S. Cl.**

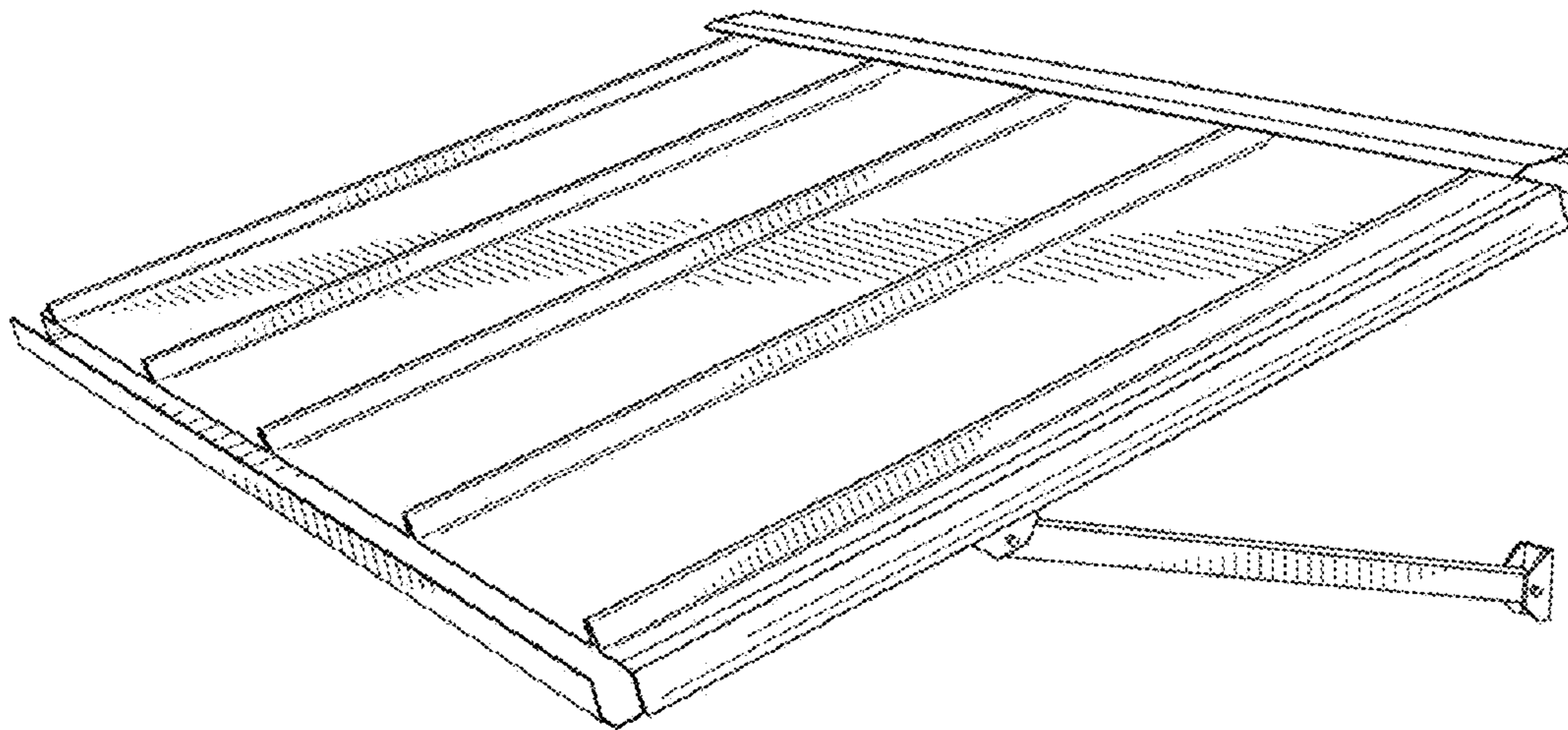
USPC **D25/57**

(58) **Field of Classification Search**

USPC D25/57; 160/22, 45, 50, 58.1; 49/71

See application file for complete search history.

1 Claim, 4 Drawing Sheets



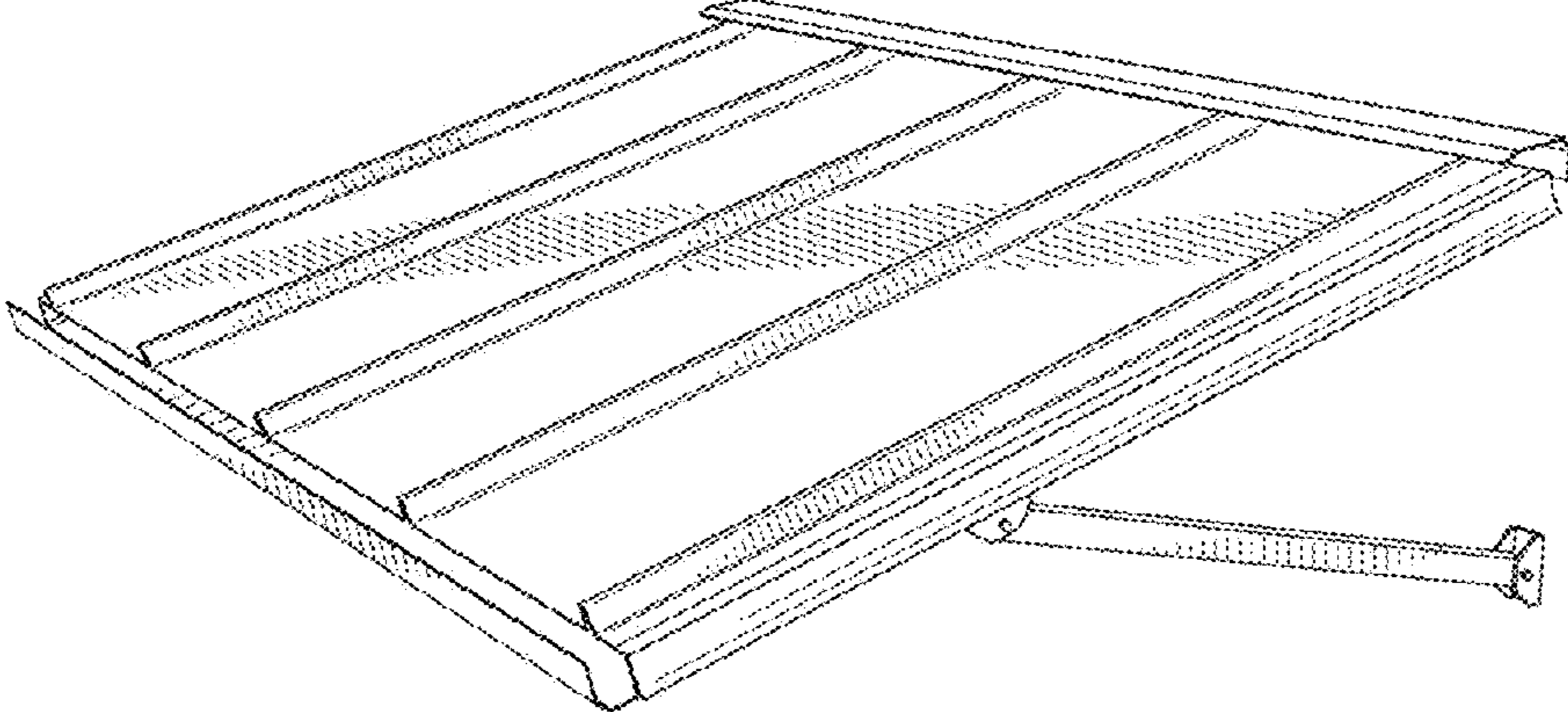


FIG. 1

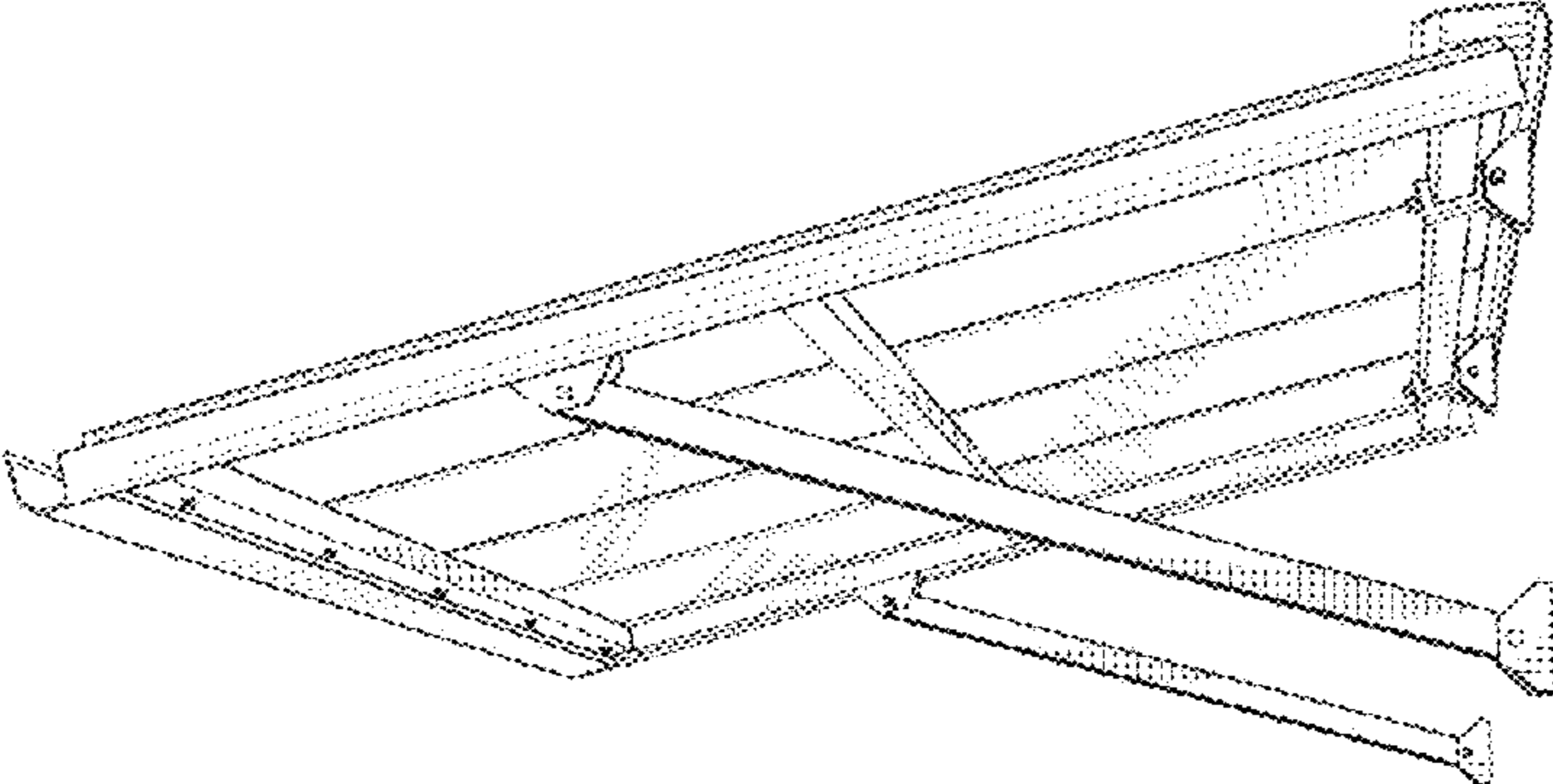


FIG. 2

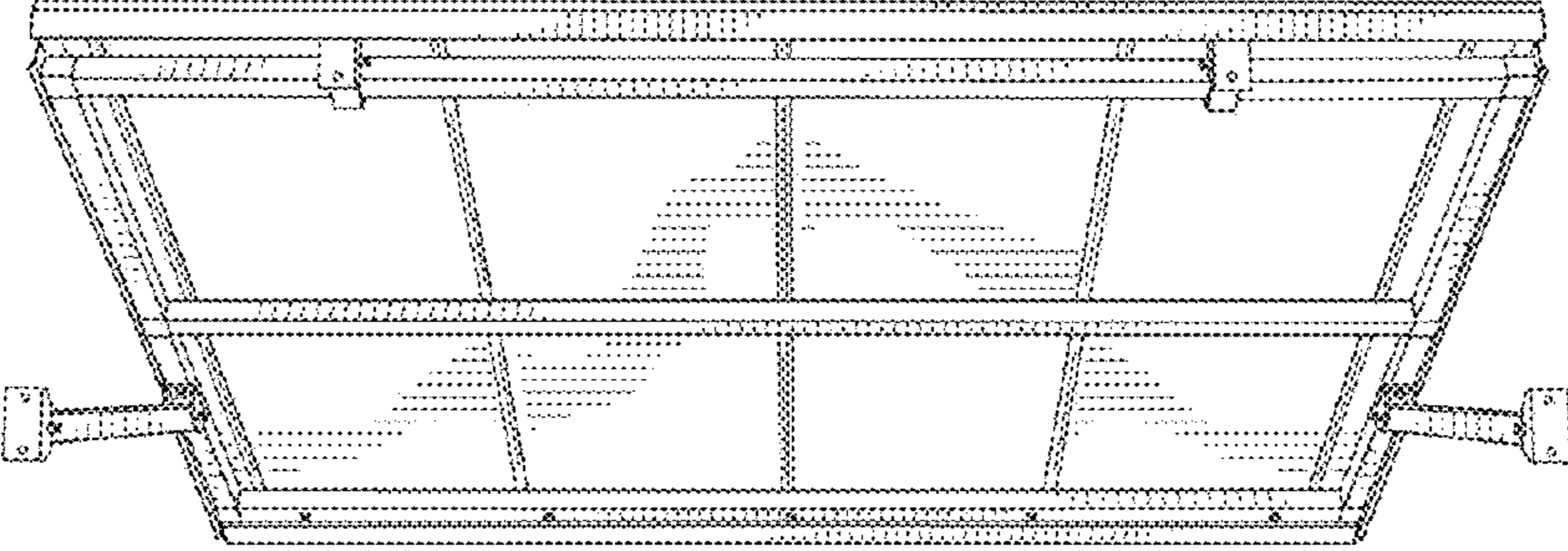


FIG. 3

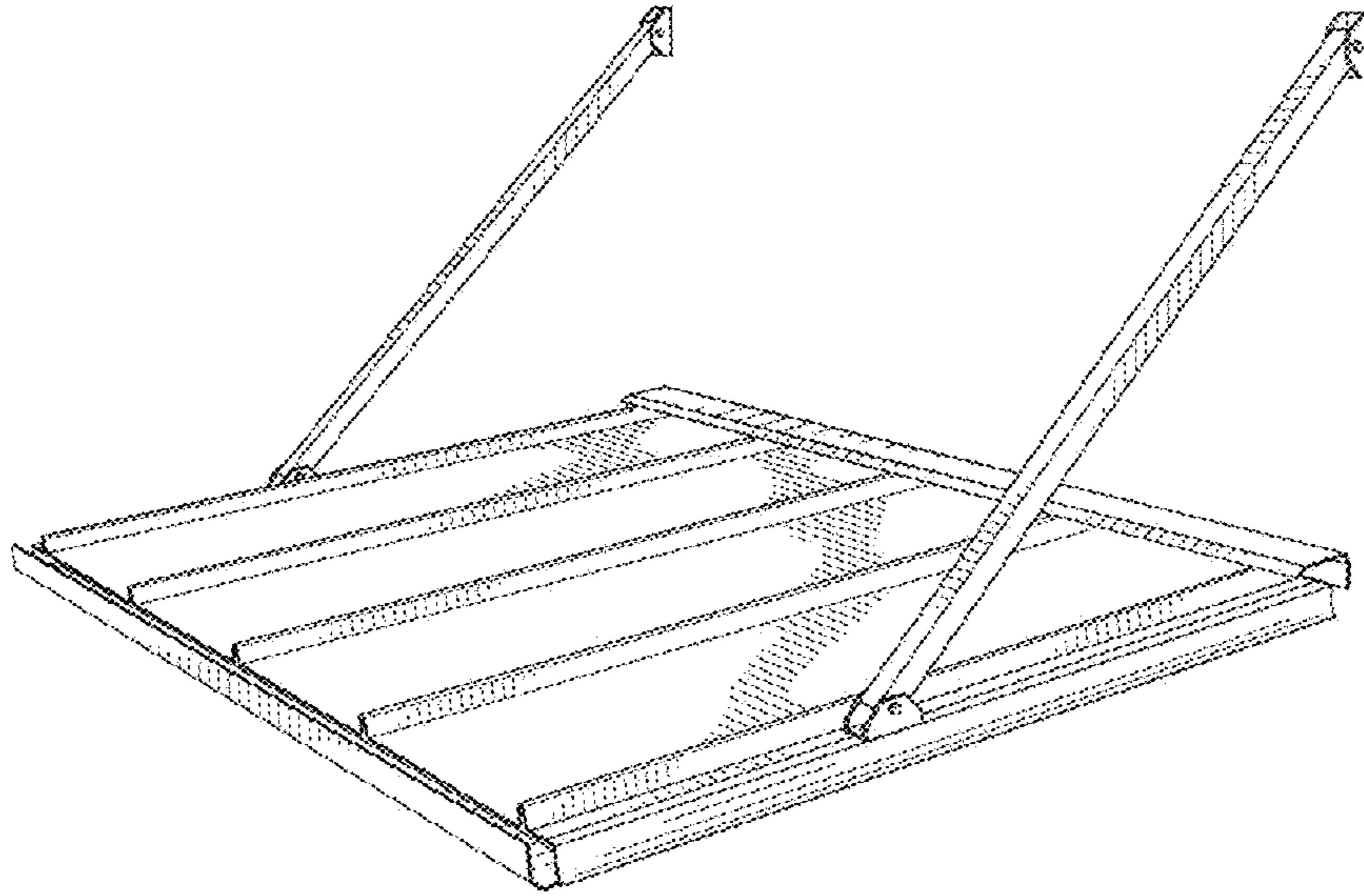


FIG. 4

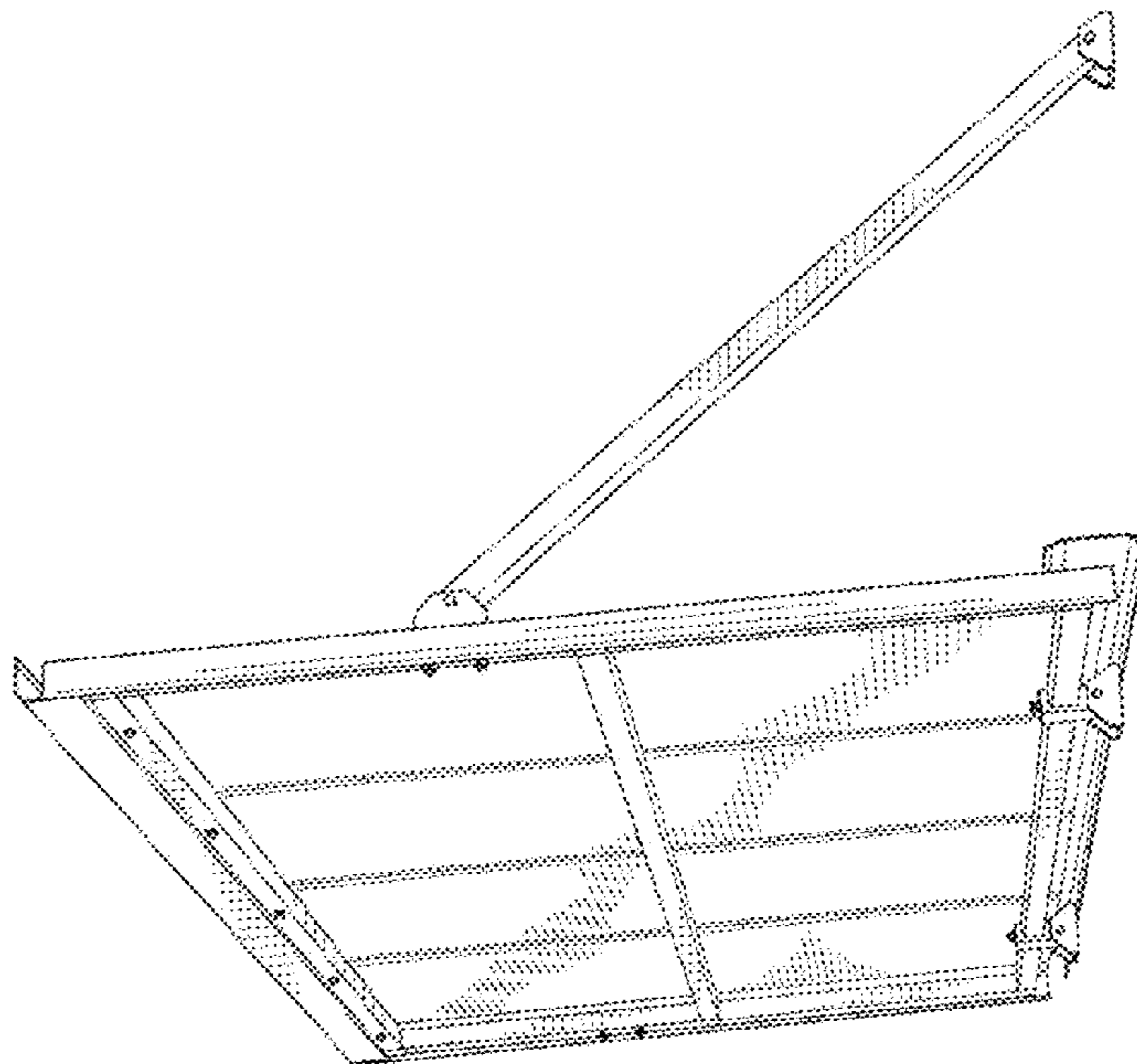


FIG. 5

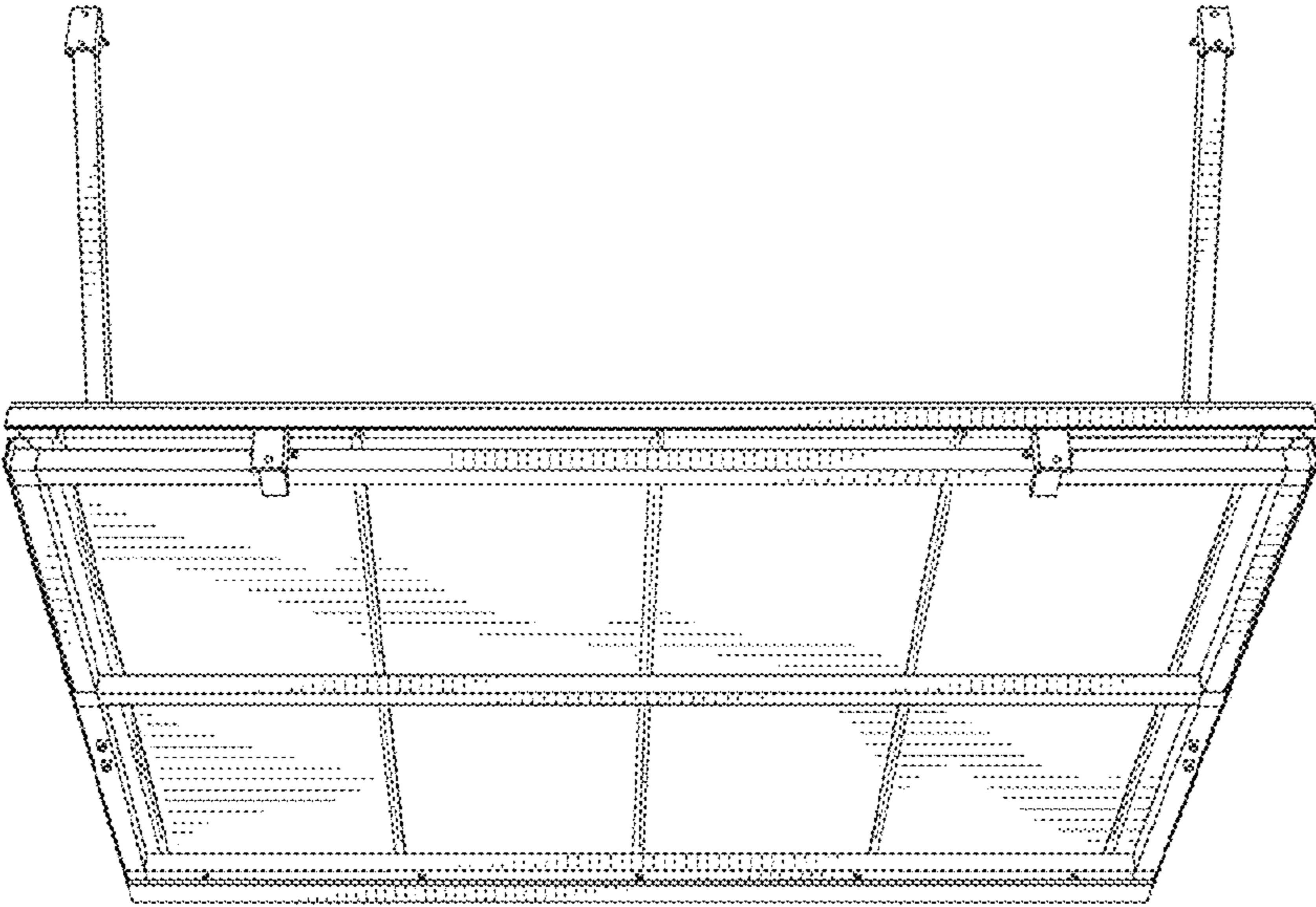


FIG. 6