



US00D715959S

(12) **United States Design Patent**
Maw et al.

(10) **Patent No.:** **US D715,959 S**
(45) **Date of Patent:** **** Oct. 21, 2014**

(54) **INSTRUMENT REPROCESSOR**

(75) Inventors: **Kurt M. Maw**, Salem, MA (US); **James Pelletier**, North Grafton, MA (US); **Justin D. Cumming**, Somerville, MA (US); **Jason Cooper**, Watertown, MA (US); **Sungwook Yang**, Tustin, CA (US); **Robert P. Michaloski**, Laguna Niguel, CA (US)

(73) Assignee: **Ethicon, Inc.**, Somerville, NJ (US)

(**) Term: **14 Years**

(21) Appl. No.: **29/404,548**

(22) Filed: **Oct. 21, 2011**

(51) **LOC (10) Cl.** **24-01**

(52) **U.S. Cl.**
USPC **D24/217**

(58) **Field of Classification Search**
USPC D24/217; 134/18, 56 R; D13/184
See application file for complete search history.

(56) **References Cited**

U.S. PATENT DOCUMENTS

D663,429	S *	7/2012	Swanek	D24/185
2007/0193605	A1 *	8/2007	Kuroshima et al.	134/18
2008/0210280	A1 *	9/2008	Publ	134/57 R
2009/0084407	A1 *	4/2009	Glenn et al.	134/18

2009/0090390	A1 *	4/2009	Barnhill et al.	134/18
2009/0107528	A1 *	4/2009	Barnhill et al.	134/18
2009/0301523	A1 *	12/2009	Barnhill et al.	134/18

* cited by examiner

Primary Examiner — T. Chase Nelson

Assistant Examiner — Ania Aman

(57) **CLAIM**

The ornamental design for an instrument reprocessor, as shown and described.

DESCRIPTION

FIG. 1 is a prospective elevational view of an embodiment of the instrument reprocessor of the new design;

FIG. 2 is a front view of the instrument reprocessor depicted in FIG. 1;

FIG. 3 is a rear view of the instrument reprocessor depicted in FIG. 1;

FIG. 4 is a right side elevational view of the instrument reprocessor depicted in FIG. 1;

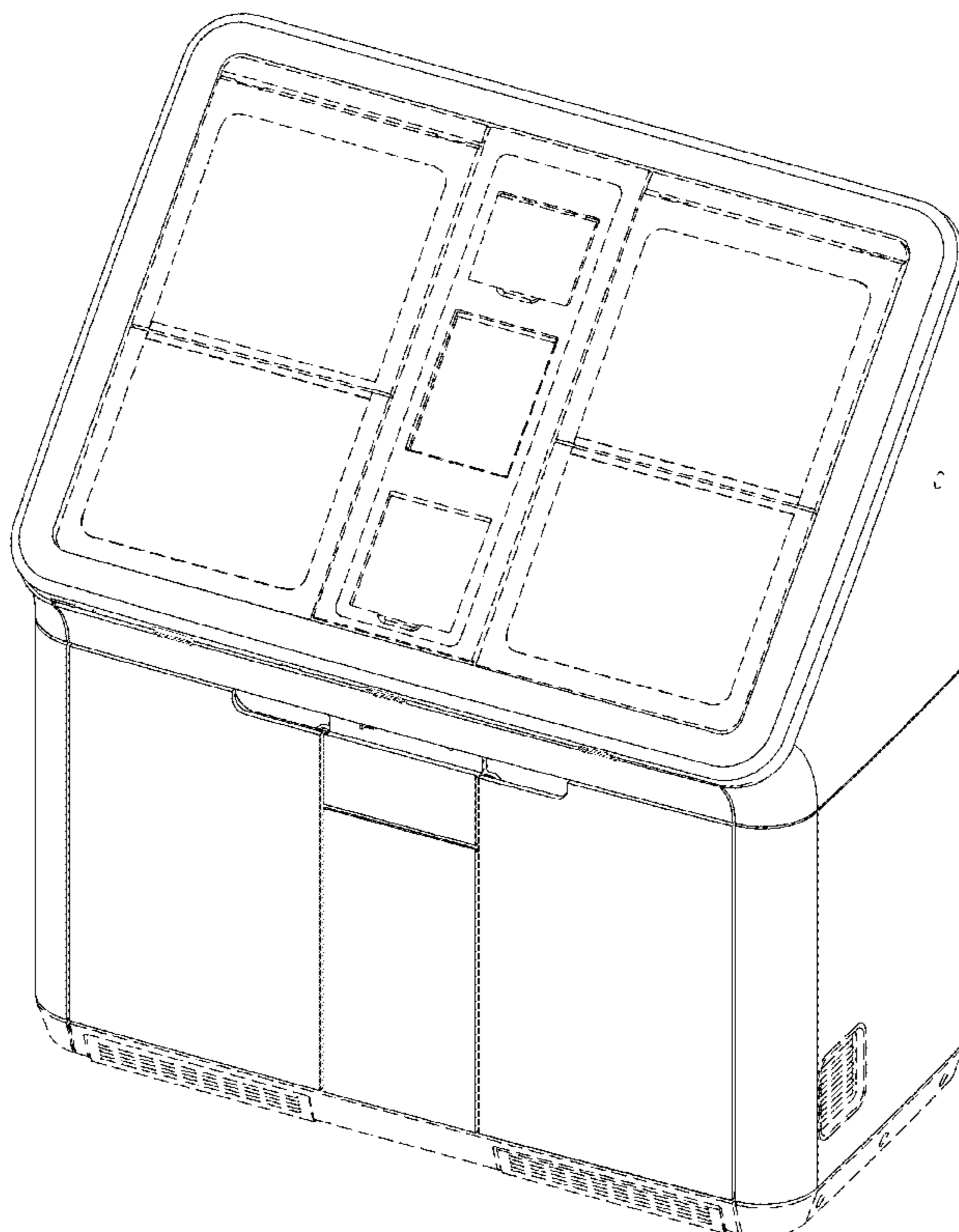
FIG. 5 is a left side elevational view of the instrument reprocessor depicted in FIG. 1;

FIG. 6 is a top view of the instrument reprocessor depicted in FIG. 1; and,

FIG. 7 is a bottom view of the instrument reprocessor depicted in FIG. 1.

The broken lines showing screws, nuts, vents, wheels, feet, visual displays, pans, and doors in the embodiments illustrated in FIGS. 1-7, inclusive, depict an environment for illustrative purposes only and form no part of the claimed design.

1 Claim, 6 Drawing Sheets



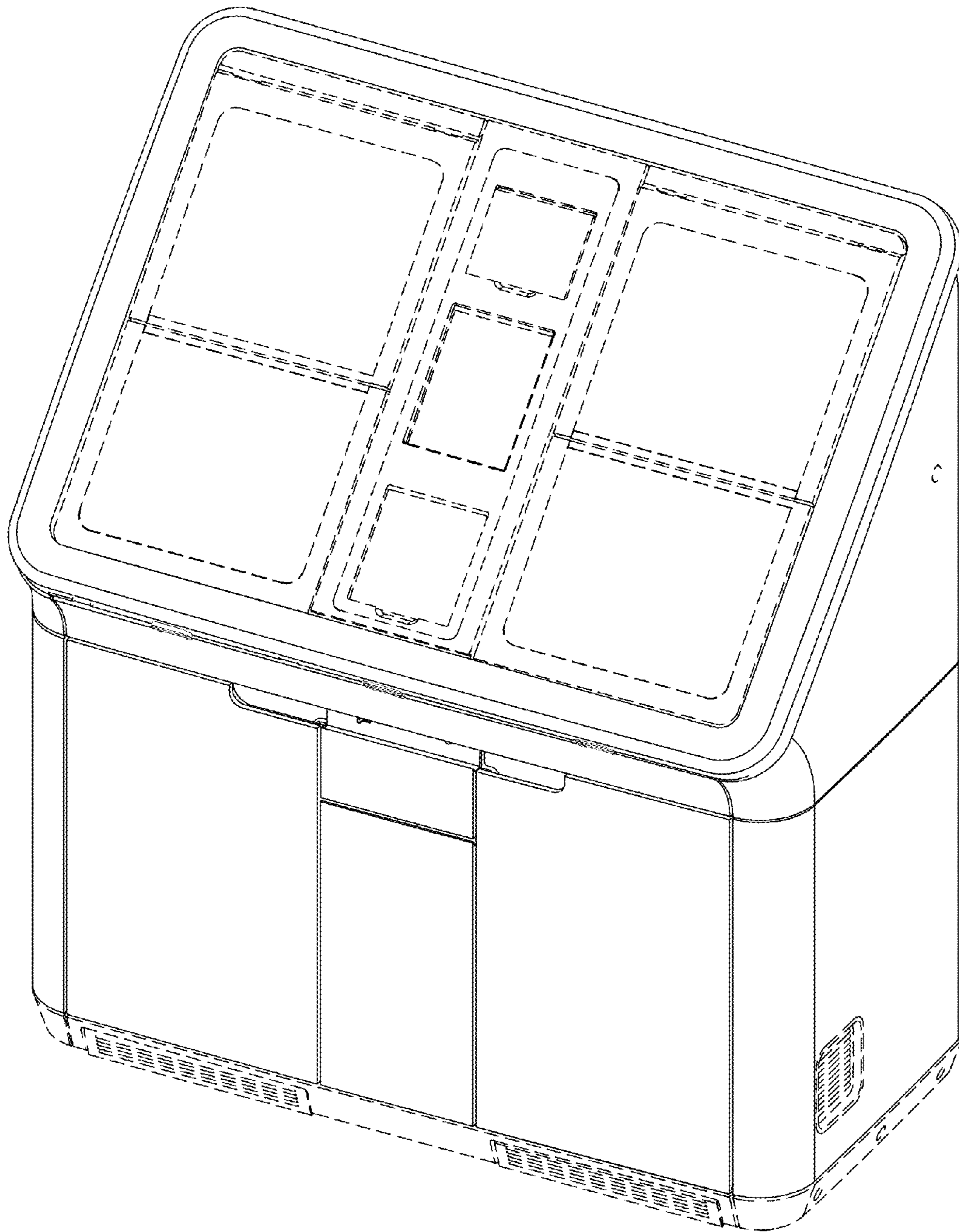


FIG. 1

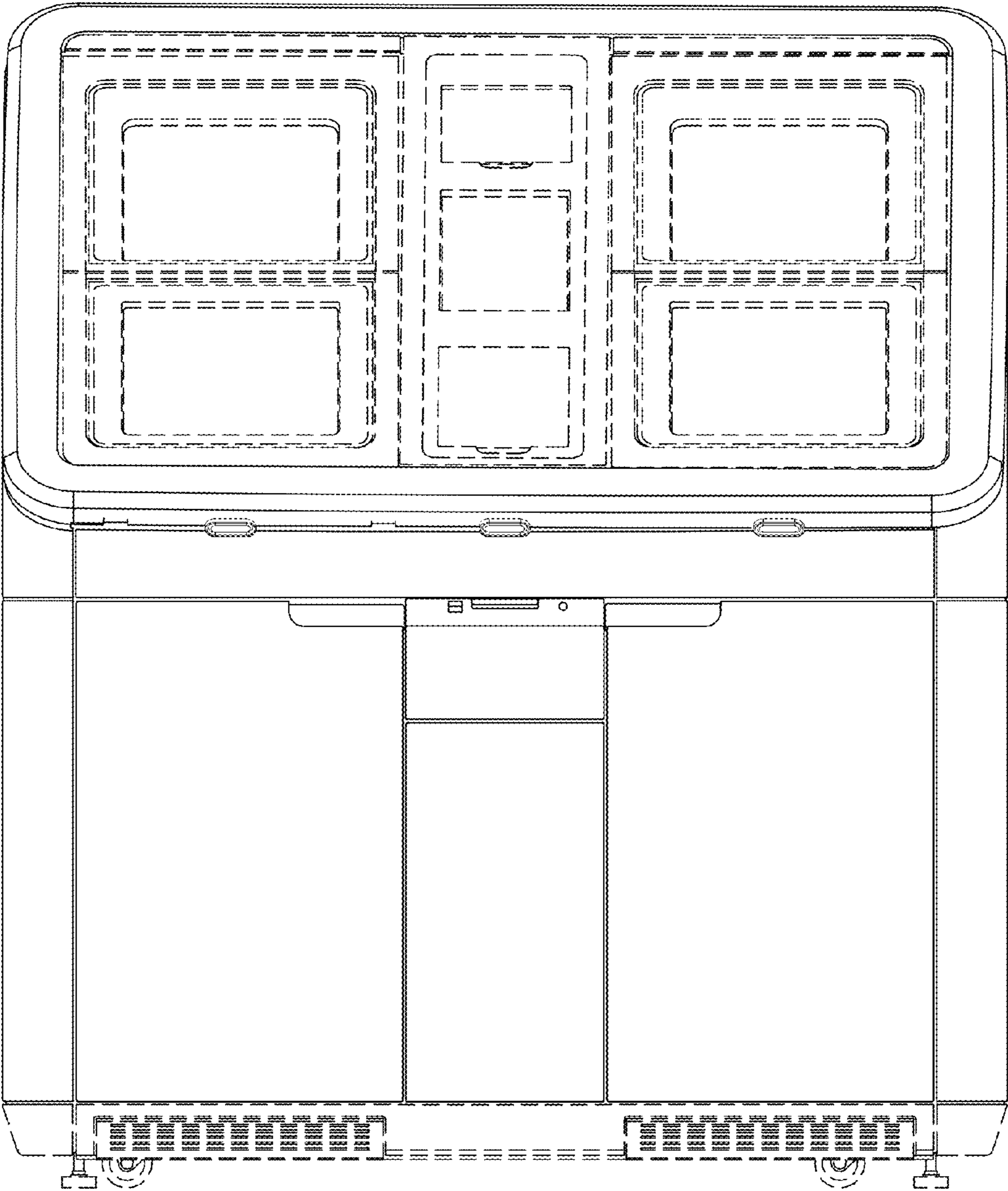


FIG. 2

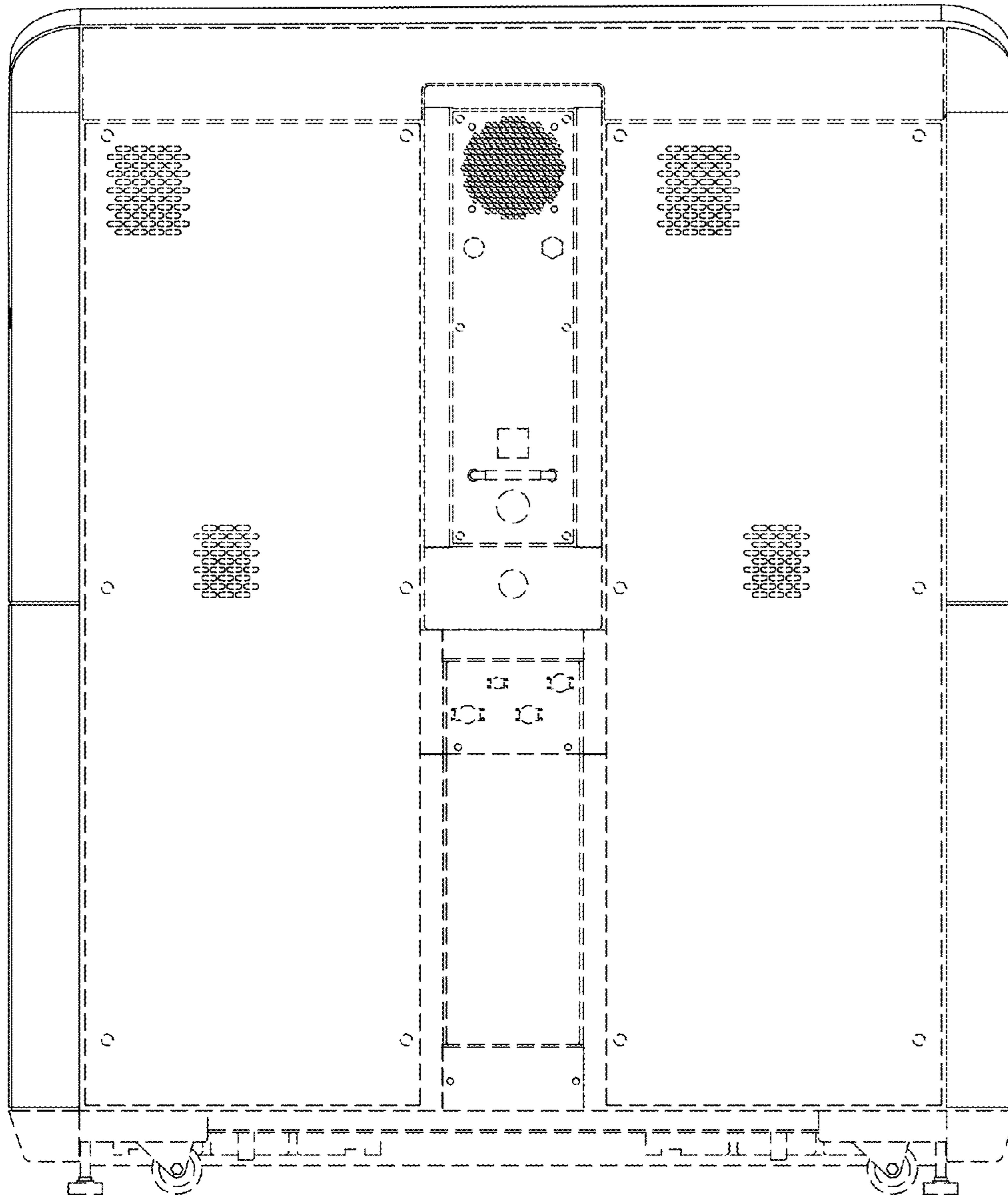


FIG. 3

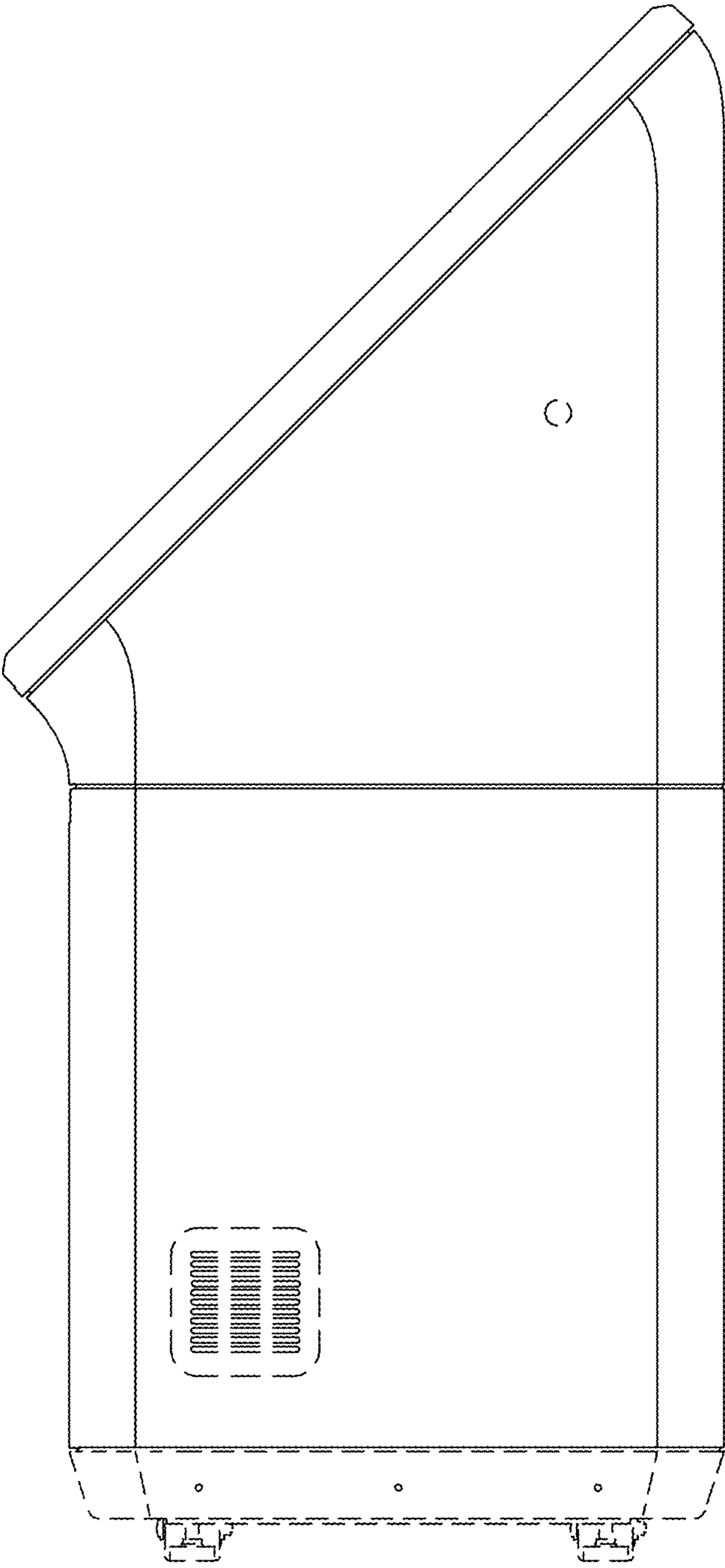


FIG. 4

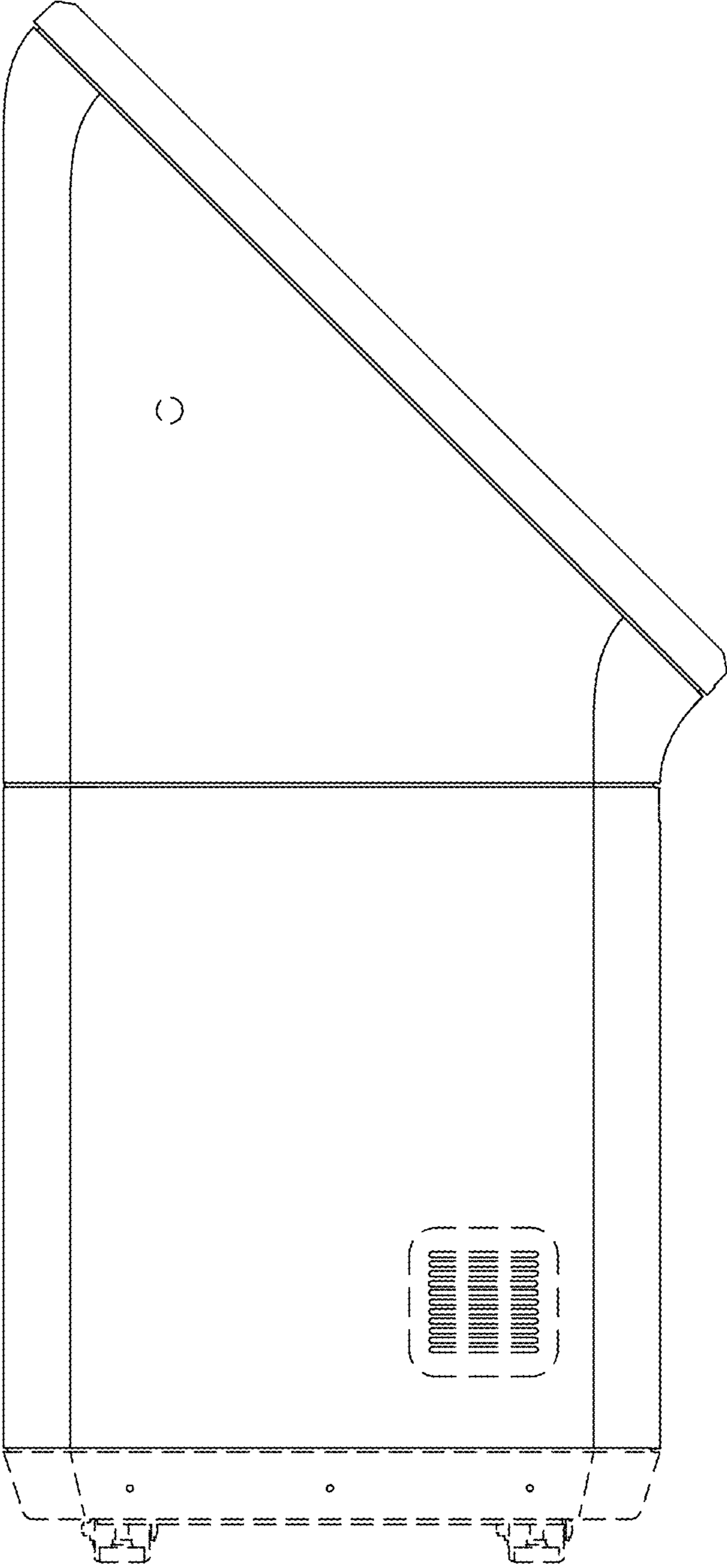


FIG. 5

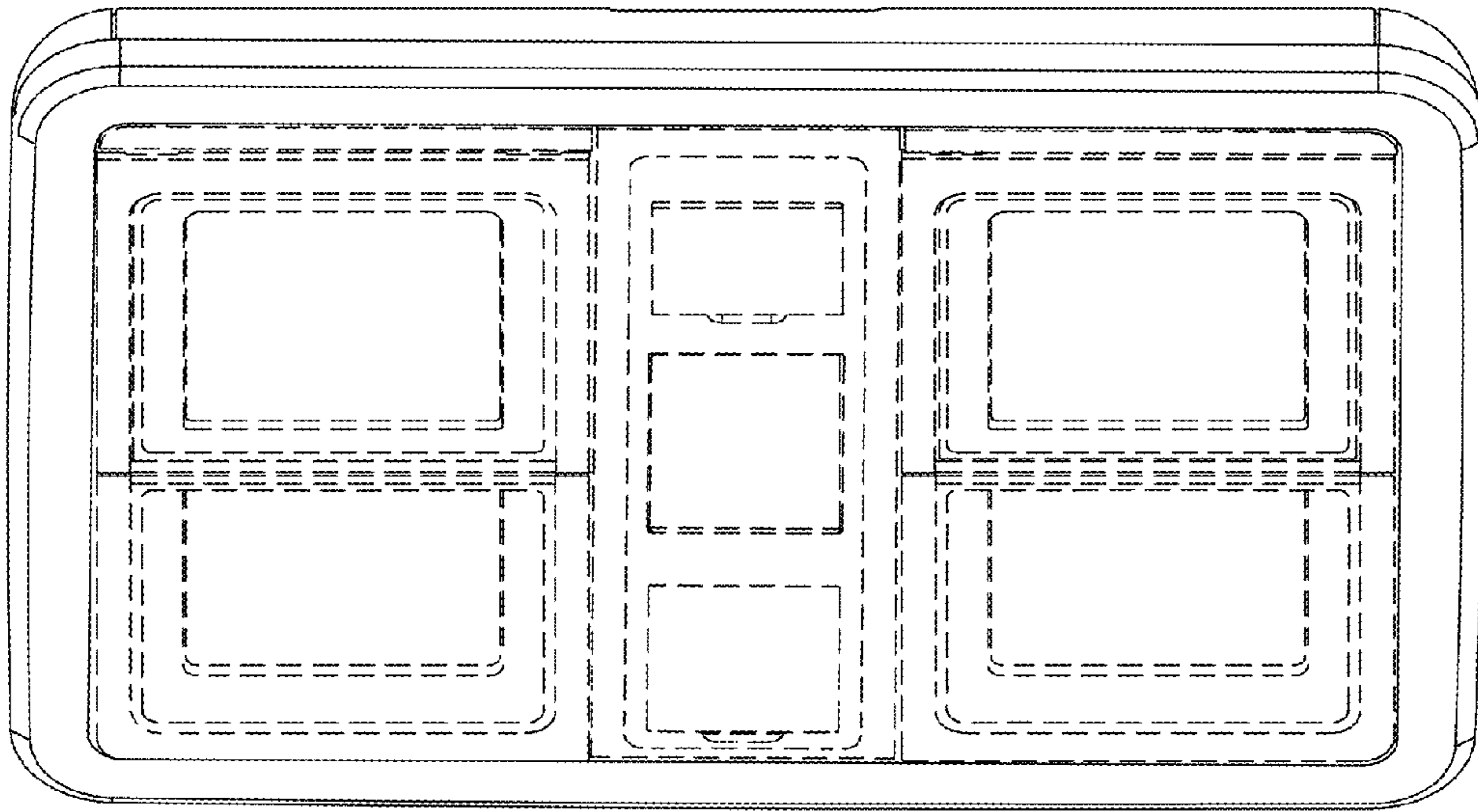


FIG. 6

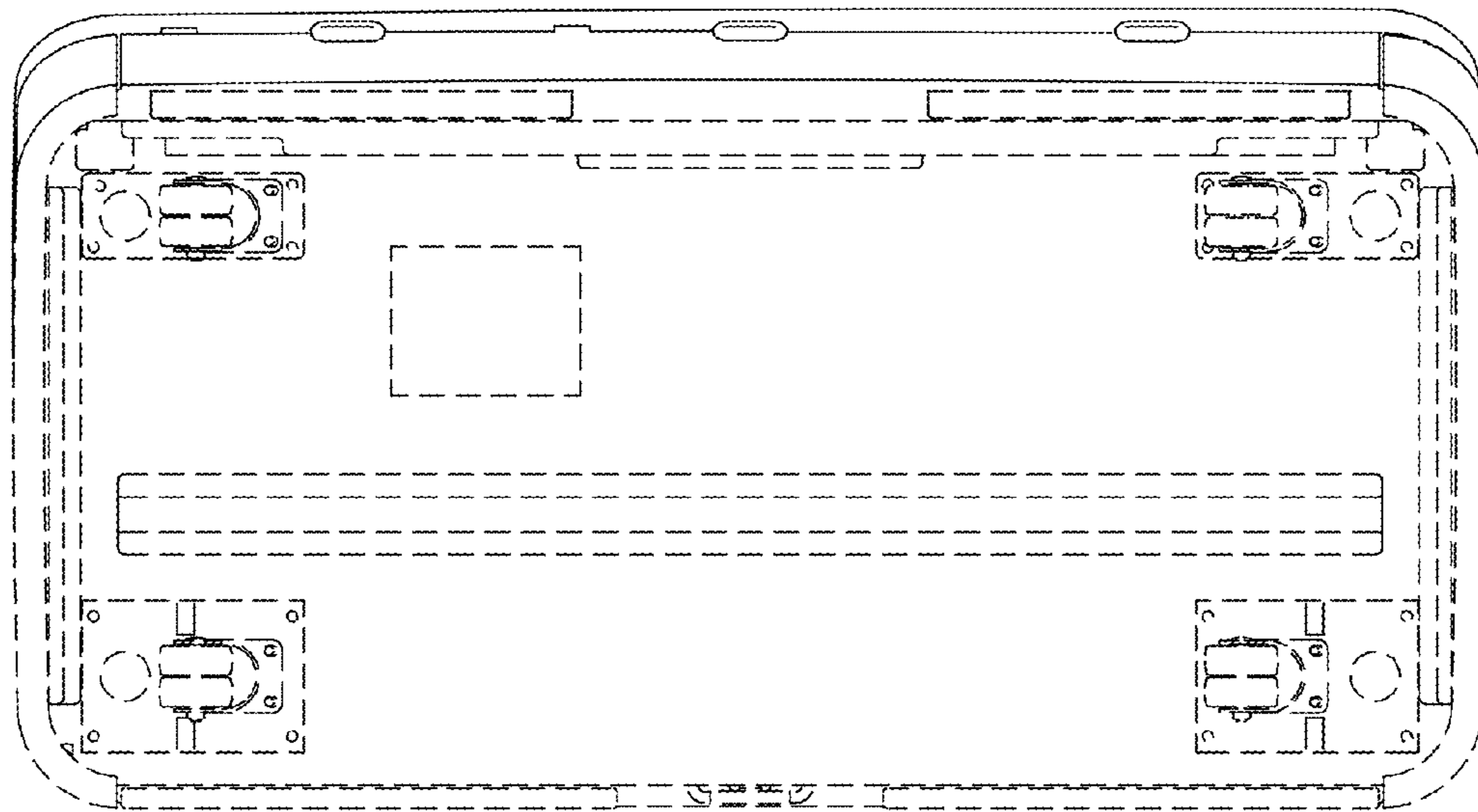


FIG. 7