



US00D715958S

(12) **United States Design Patent**
Bossart et al.

(10) **Patent No.:** **US D715,958 S**
(45) **Date of Patent:** **** Oct. 21, 2014**

(54) **SAMPLE CHANGER**

(71) Applicant: **Mettler-Toledo AG**, Greifensee (CH)

(72) Inventors: **Erwin Bossart**, Flawil (CH); **Yves Marmier**, La Chaux-de-Fonds (CH); **Jennifer Scherhag**, Grueningen (CH)

(73) Assignee: **Mettler-Toledo AG**, Greifensee (CH)

(**) Term: **14 Years**

(21) Appl. No.: **29/481,920**

(22) Filed: **Feb. 12, 2014**

(30) **Foreign Application Priority Data**

Aug. 13, 2013 (EM) 002291138

(51) **LOC (10) Cl.** **24-01**

(52) **U.S. Cl.**
USPC **D24/216; D24/232**

(58) **Field of Classification Search**
USPC D24/216, 223, 231, 232, 233, 186, 107;
D10/81, 97; 435/286.1, 286.4, 286.5,
435/287.3; 422/63-67, 509; 73/863.01,
73/863.02, 863.03, 863.31, 863.32

See application file for complete search history.

(56) **References Cited**

U.S. PATENT DOCUMENTS

4,235,840	A *	11/1980	Mendoza et al.	422/64
D269,703	S *	7/1983	Parker	D24/222
D330,770	S *	11/1992	Rodomista et al.	D24/216
5,314,825	A *	5/1994	Weyrauch et al.	436/43
D352,360	S *	11/1994	Nugteren	D24/216
5,398,556	A *	3/1995	Lang	73/863.11
D359,357	S *	6/1995	Bigler et al.	D24/232
6,086,767	A *	7/2000	Walters et al.	210/634
D674,110	S *	1/2013	Becher et al.	D24/216
D689,196	S *	9/2013	Marmier	D24/232
D693,480	S *	11/2013	Spiess et al.	D24/232
2001/0031223	A1 *	10/2001	Lang et al.	422/64
2008/0274551	A1 *	11/2008	Chinchilla	422/63

* cited by examiner

Primary Examiner — Anhdao Doan

(74) *Attorney, Agent, or Firm* — Standley Law Group LLP

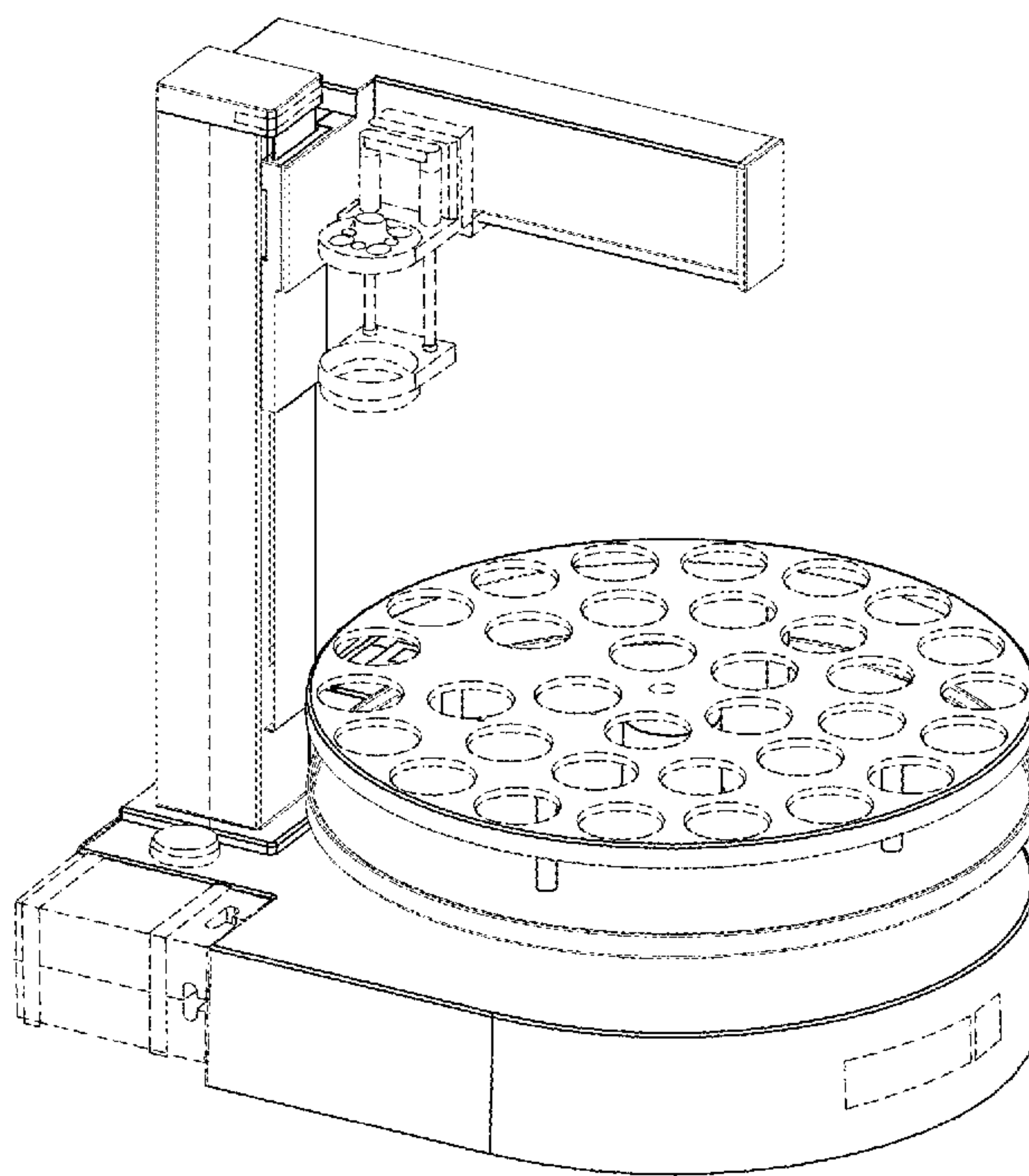
(57) **CLAIM**

The ornamental design for a sample changer, as shown and described.

DESCRIPTION

FIG. 1 is front perspective view of a sample changer; FIG. 2 is a left side elevation view of the FIG. 1 device; FIG. 3 is a front elevation view of the FIG. 1 device; FIG. 4 is a right side elevation view of the FIG. 1 device; FIG. 5 is a rear elevation view of the FIG. 1 device; FIG. 6 is a top plan view of the FIG. 1 device; and, FIG. 7 is a bottom plan view of the FIG. 1 device. The broken lines illustrate unclaimed portions of the sample changer and form no part of the claimed design.

1 Claim, 7 Drawing Sheets



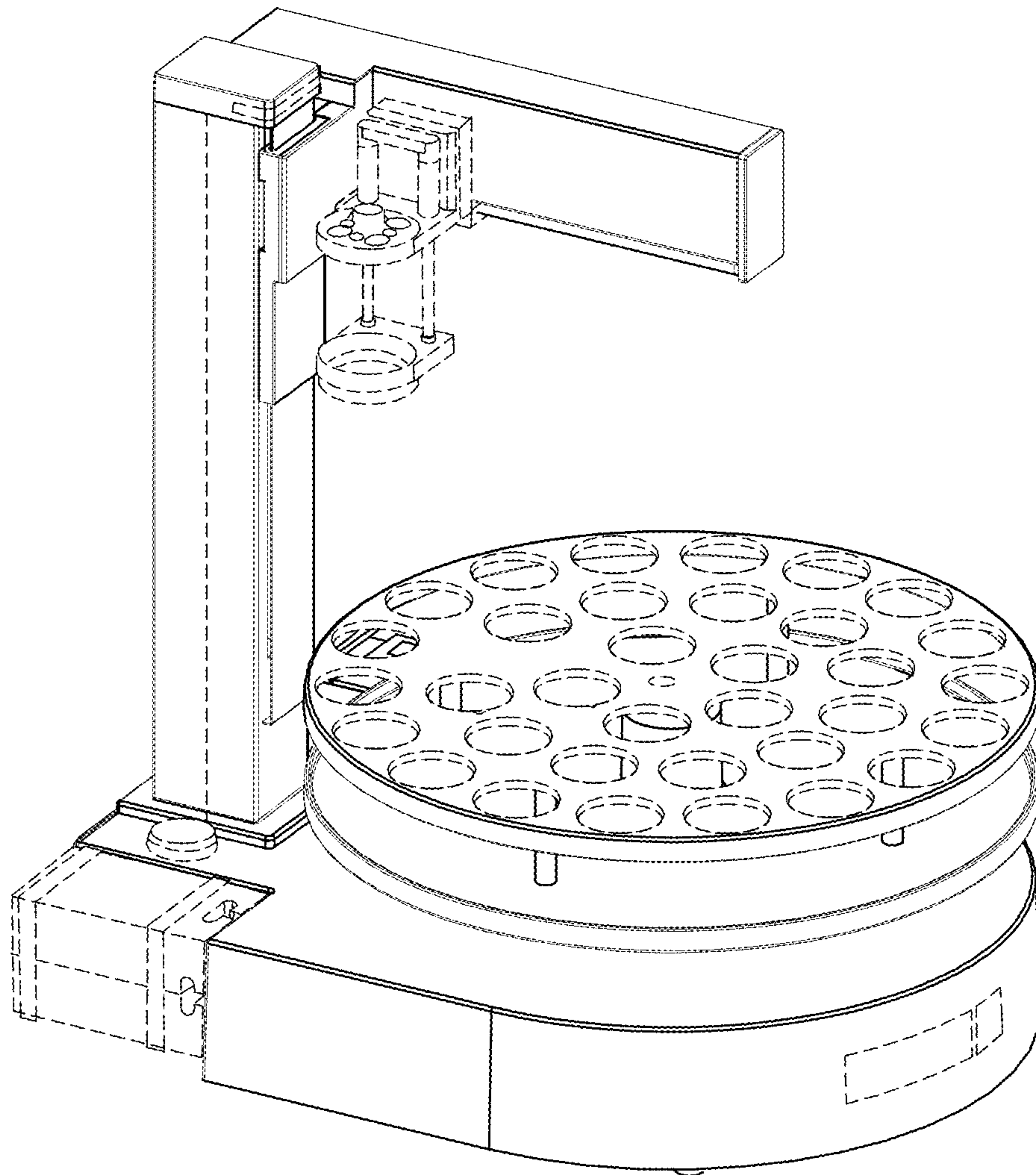


FIG-1

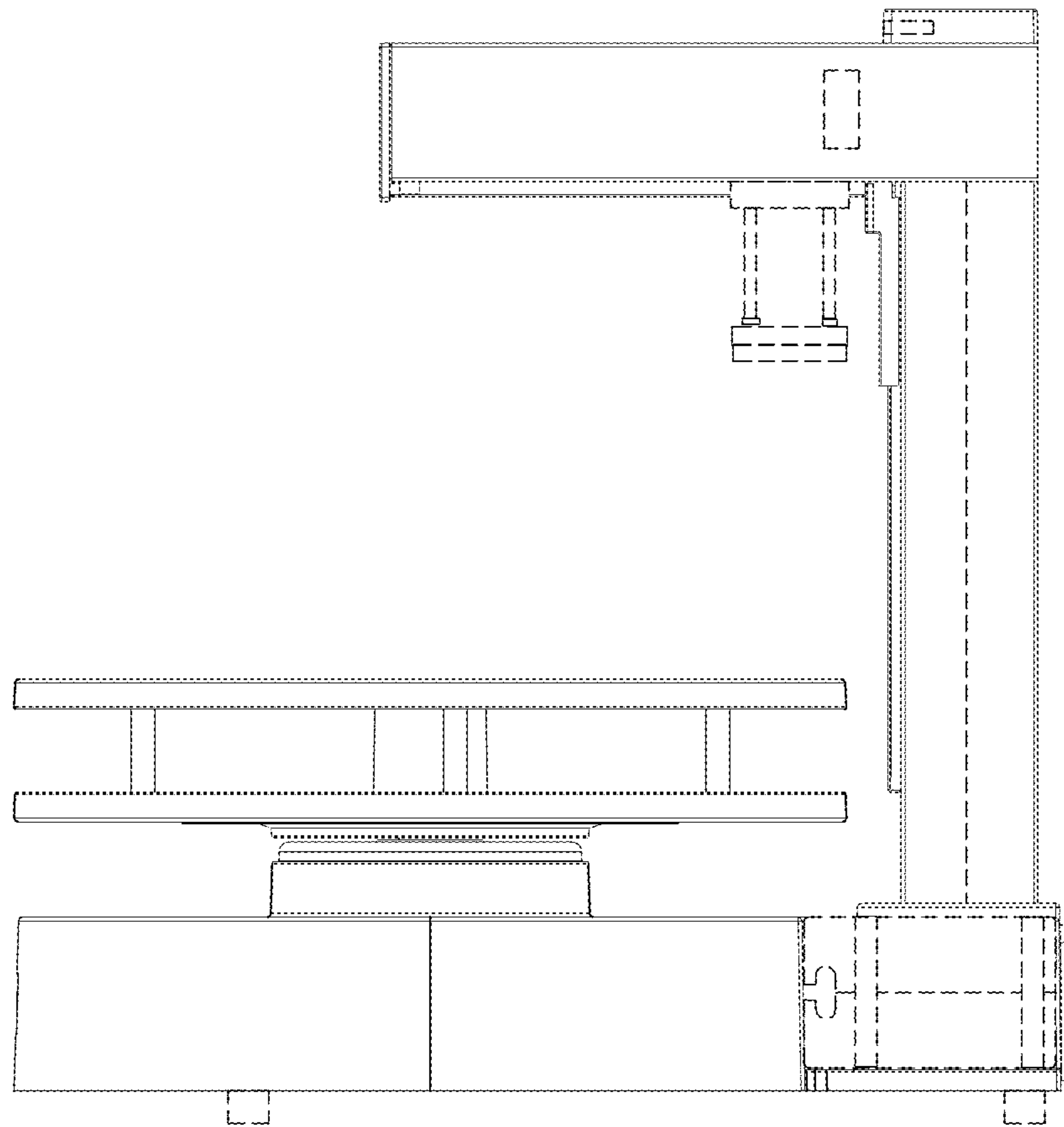


FIG-2

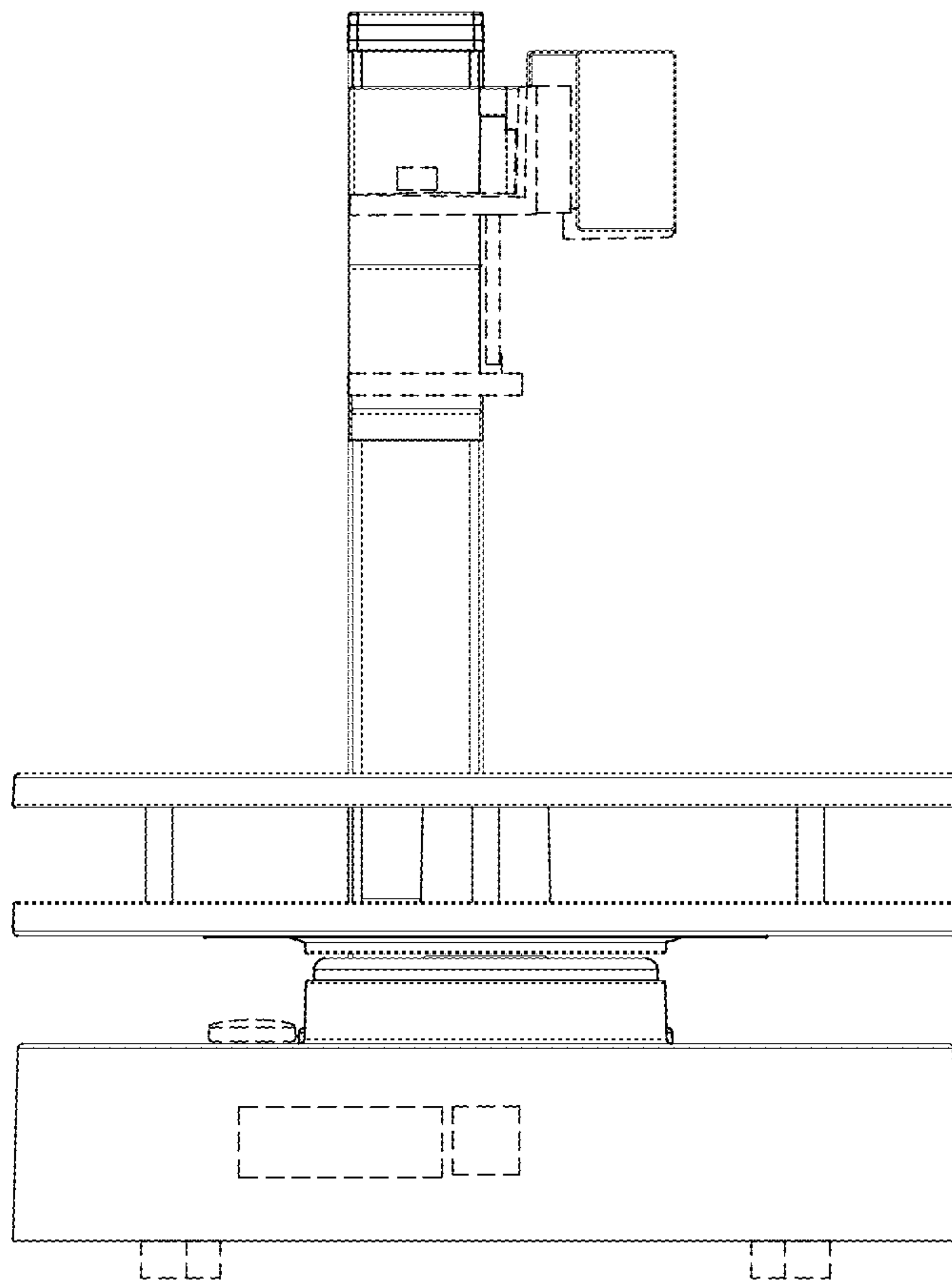


FIG-3

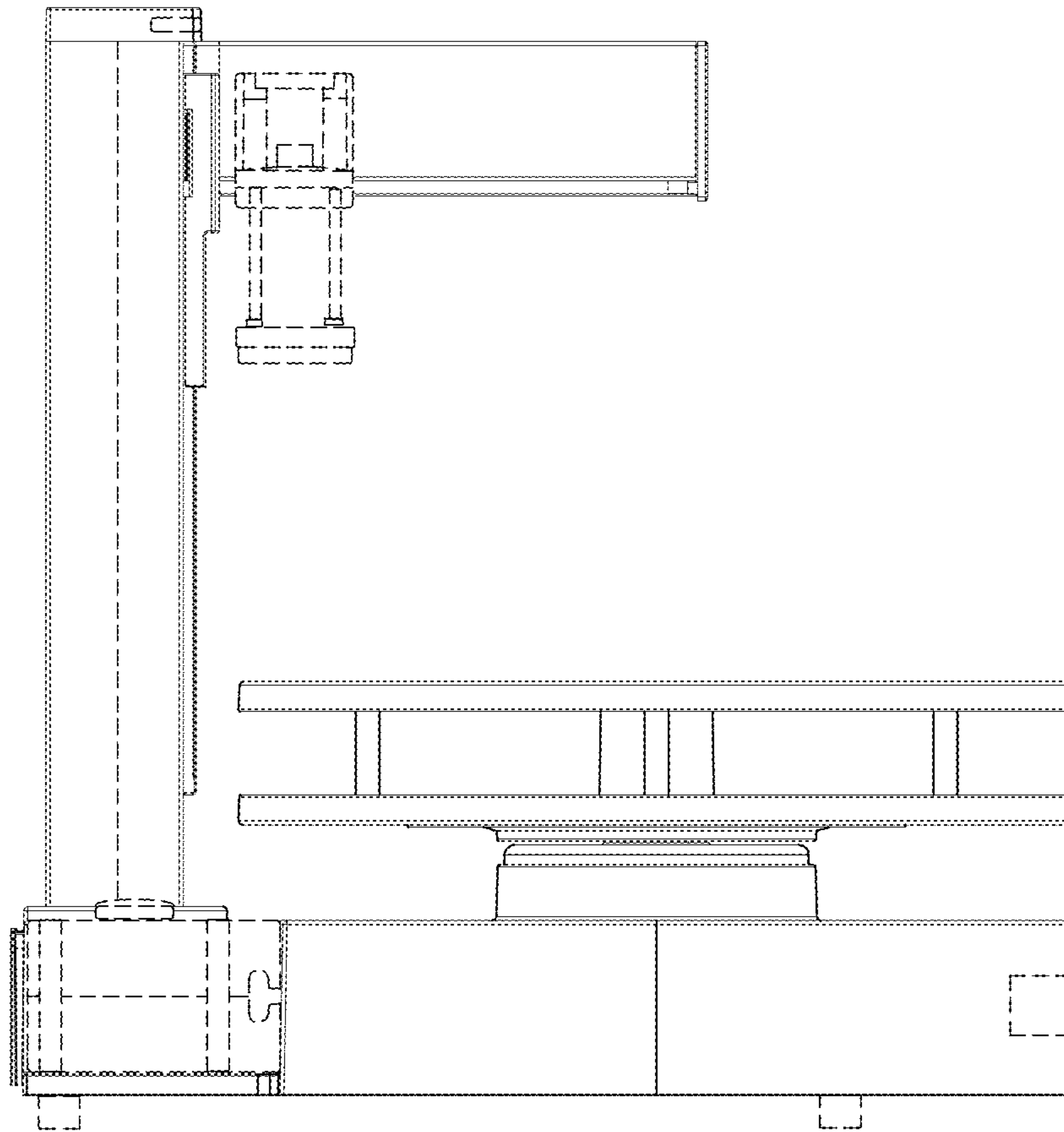


FIG-4

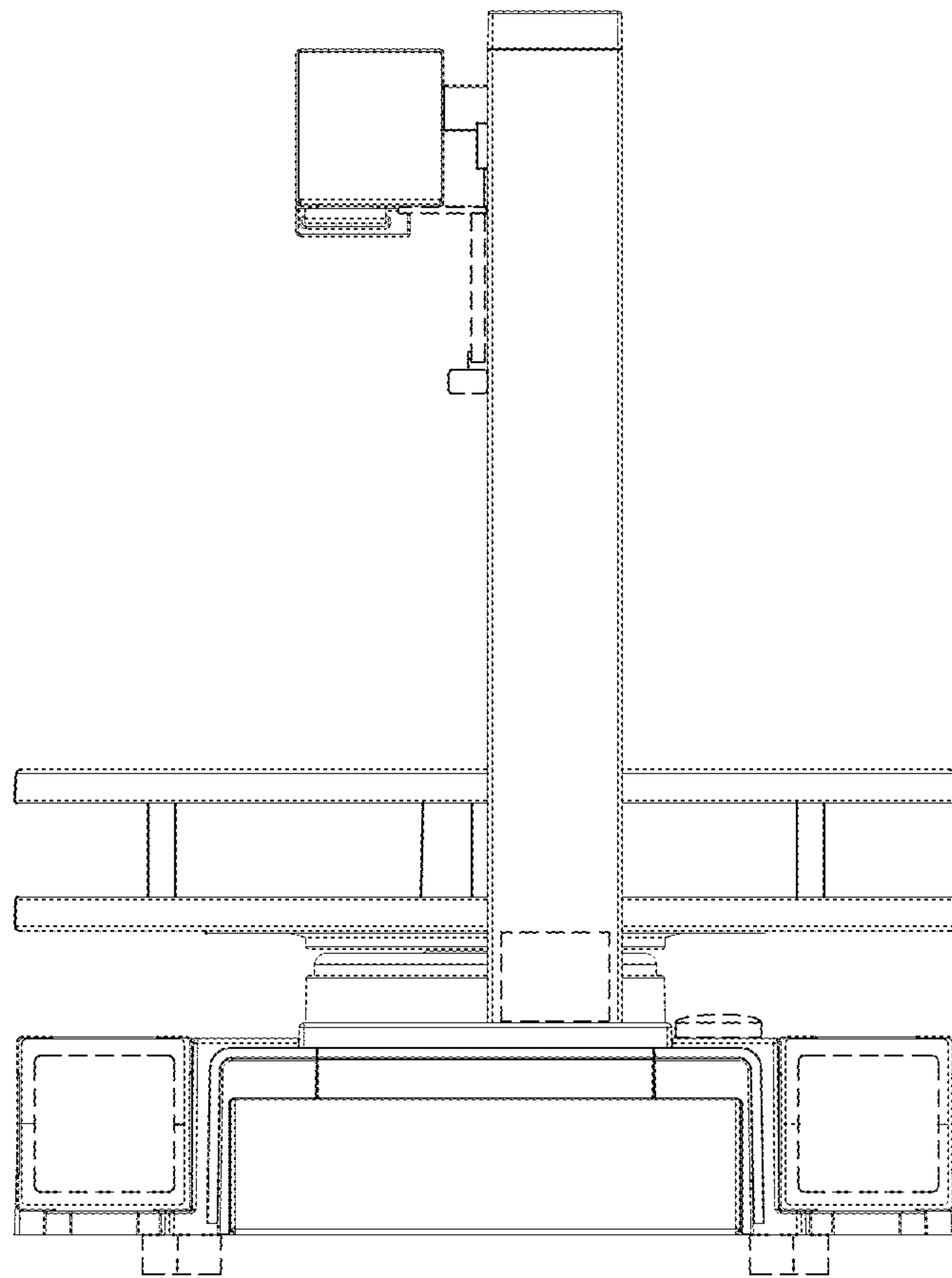


FIG-5

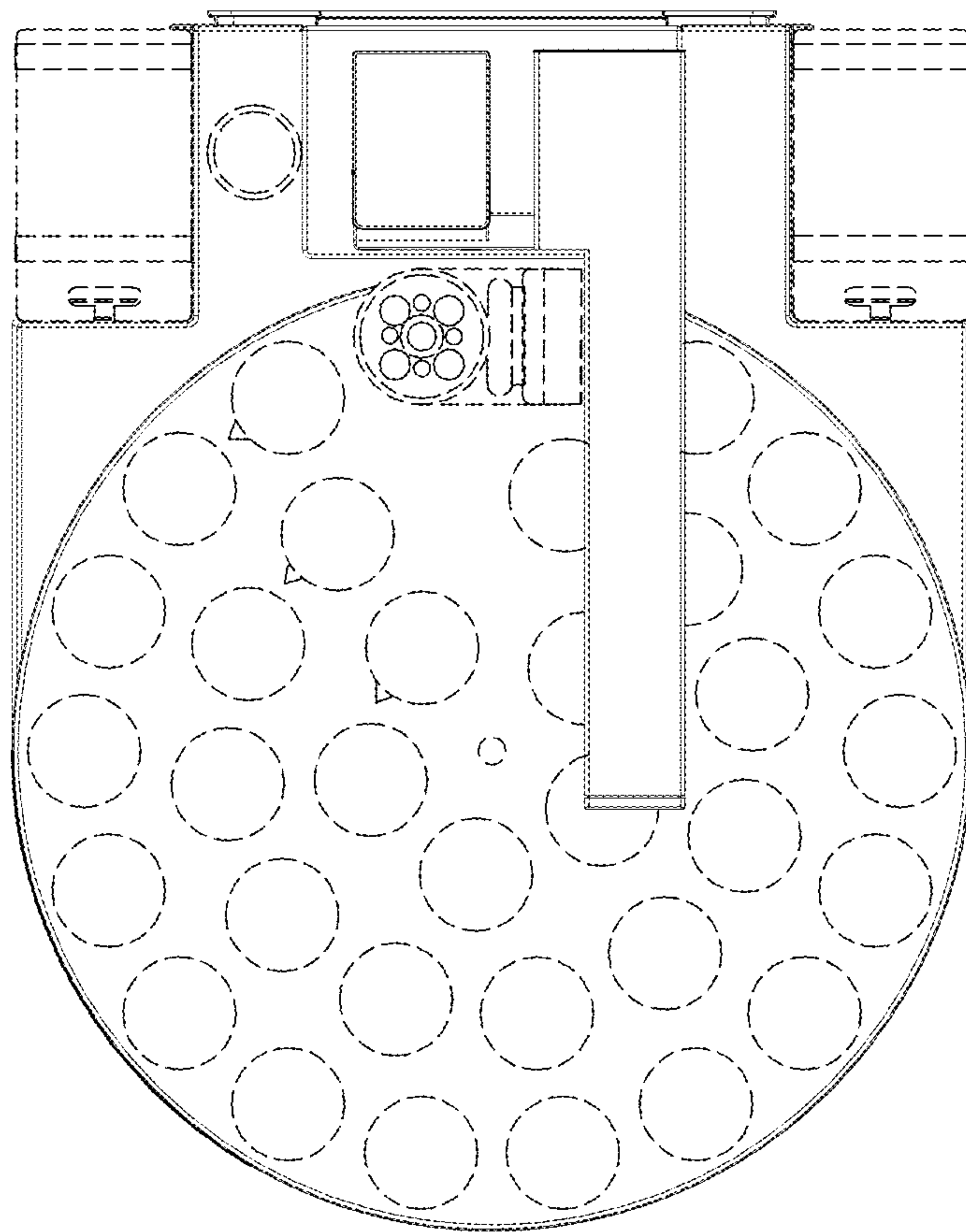


FIG-6

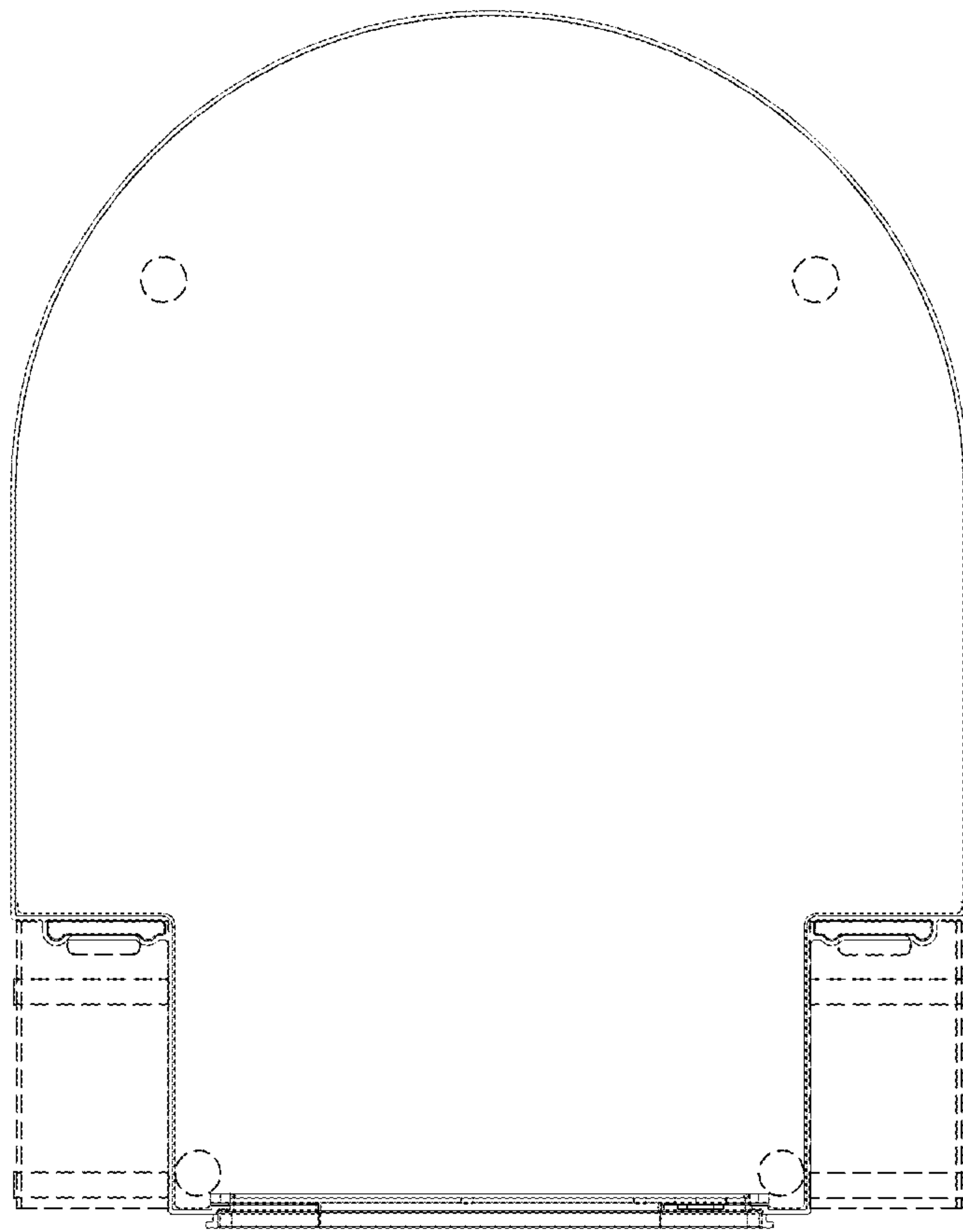


FIG-7