



US00D715957S

(12) **United States Design Patent**
Uselius

(10) **Patent No.:** **US D715,957 S**

(45) **Date of Patent:** **** Oct. 21, 2014**

(54) **CHROMATOGRAPHY COLUMN**

(56) **References Cited**

(71) Applicant: **GE Healthcare Bio-Sciences AB,**
Uppsala (SE)

(72) Inventor: **Per Uselius,** Uppsala (SE)

(73) Assignee: **GE Healthcare Bio-Sciences AB,**
Uppsala (SE)

(**) Term: **14 Years**

(21) Appl. No.: **29/437,862**

(22) Filed: **Nov. 21, 2012**

(51) **LOC (10) Cl.** **24-01**

(52) **U.S. Cl.**
USPC **D24/216; D24/232**

(58) **Field of Classification Search**
USPC **D24/216, 224, 232, 233; D10/78, 81;**
96/101, 102; 210/198.2, 198.3, 656

See application file for complete search history.

U.S. PATENT DOCUMENTS

D472,484	S	*	4/2003	Connolly et al.	D10/81
D551,104	S	*	9/2007	Wounder	D24/224
D569,008	S	*	5/2008	Lundqvist et al.	D24/232
7,718,058	B2	*	5/2010	Agee et al.	210/198.2
D639,980	S	*	6/2011	Davis et al.	D24/233
2006/0091052	A1	*	5/2006	Uselius et al.	210/198.2

* cited by examiner

Primary Examiner — Anhdao Doan

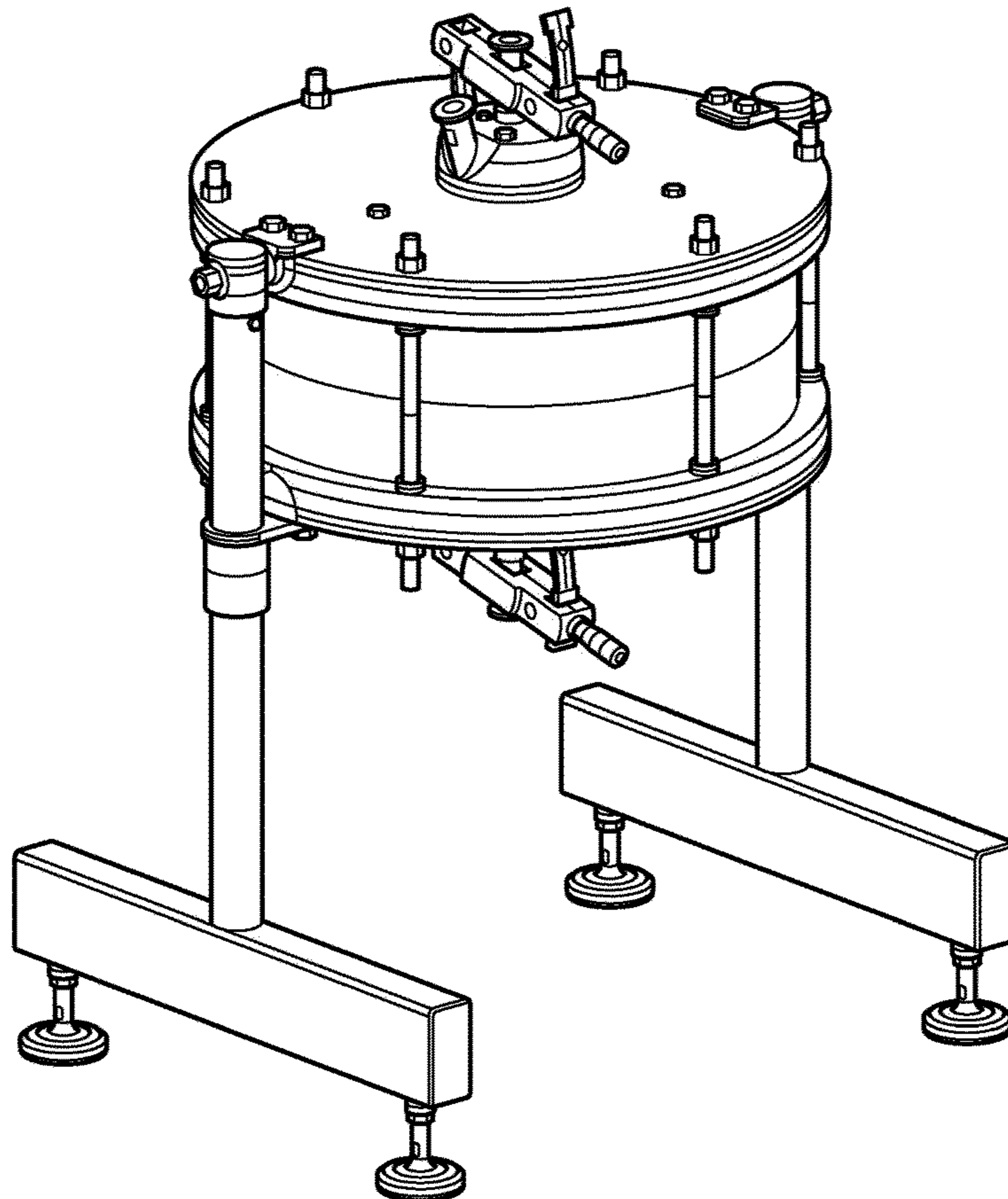
(57) **CLAIM**

The ornamental design for a chromatography column, as shown and described.

DESCRIPTION

FIG. 1 is a perspective view of the chromatography column. FIG. 2 is a front plan view of the chromatography column. FIG. 3 is a back plan view of the chromatography column. FIG. 4 is a left side view of the chromatography column. FIG. 5 is a right side view of the chromatography column. FIG. 6 is a top plan view of the chromatography column; and, FIG. 7 is a bottom plan view of the chromatography column.

1 Claim, 7 Drawing Sheets



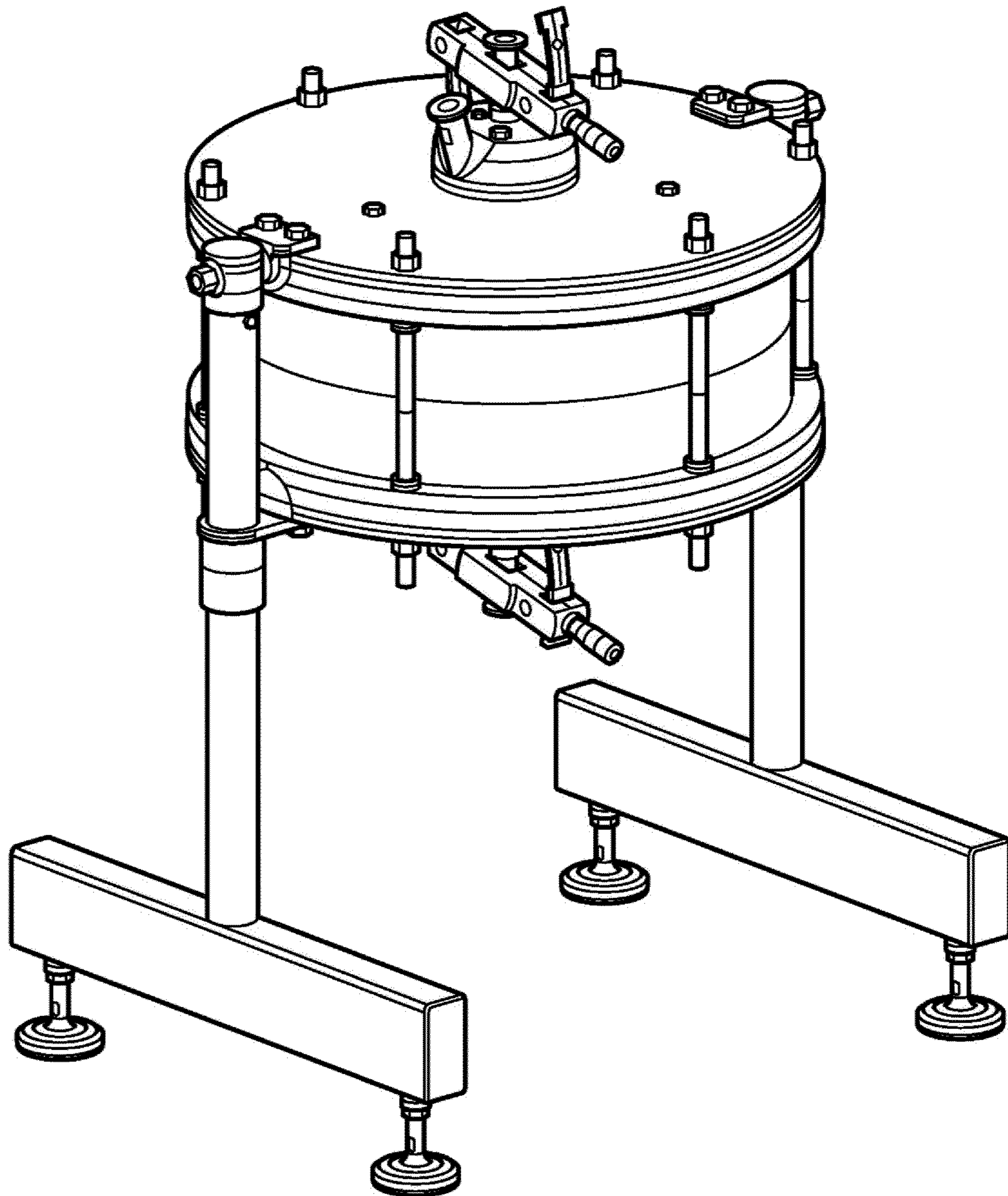


FIGURE 1

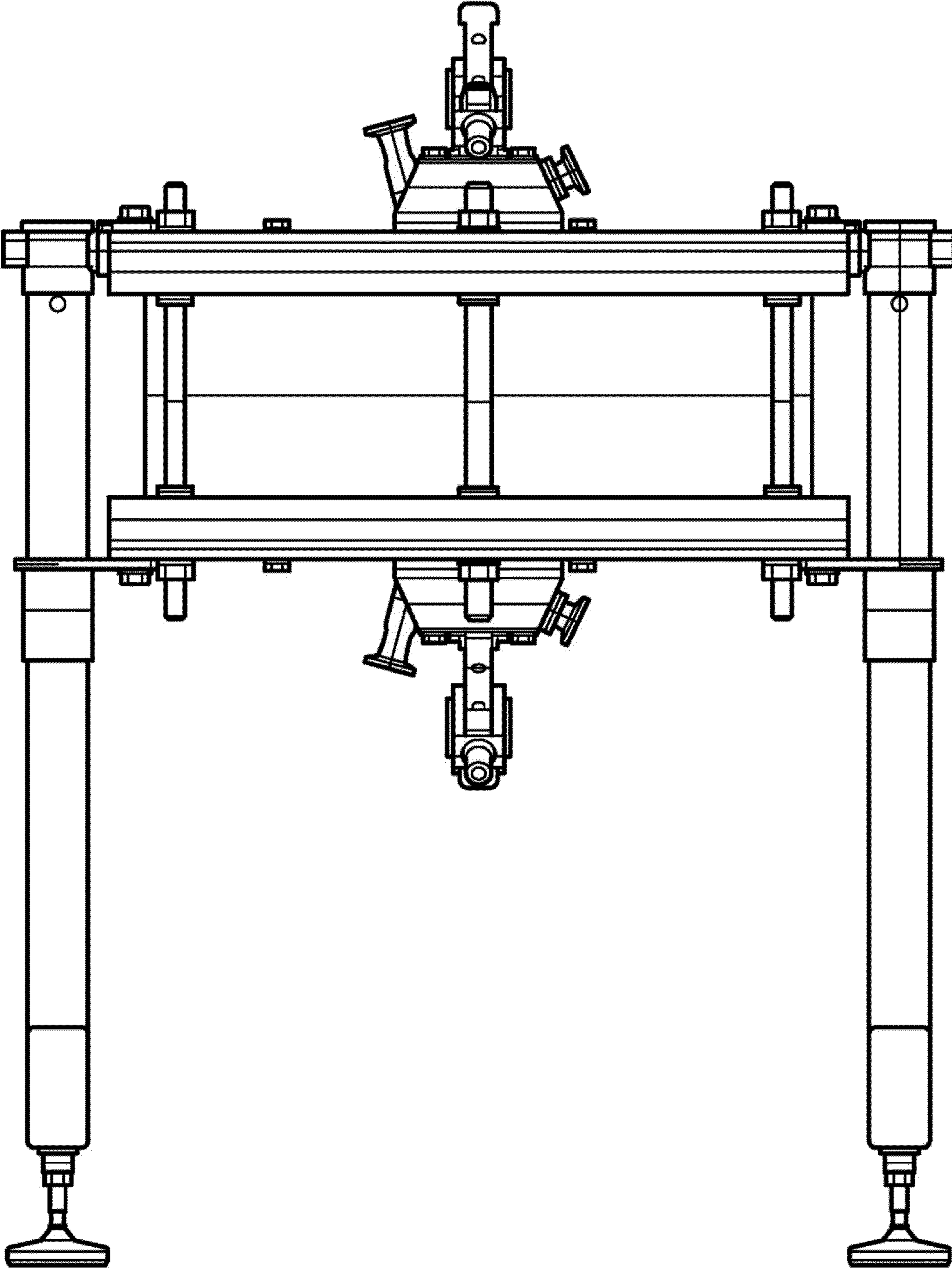


FIGURE 2

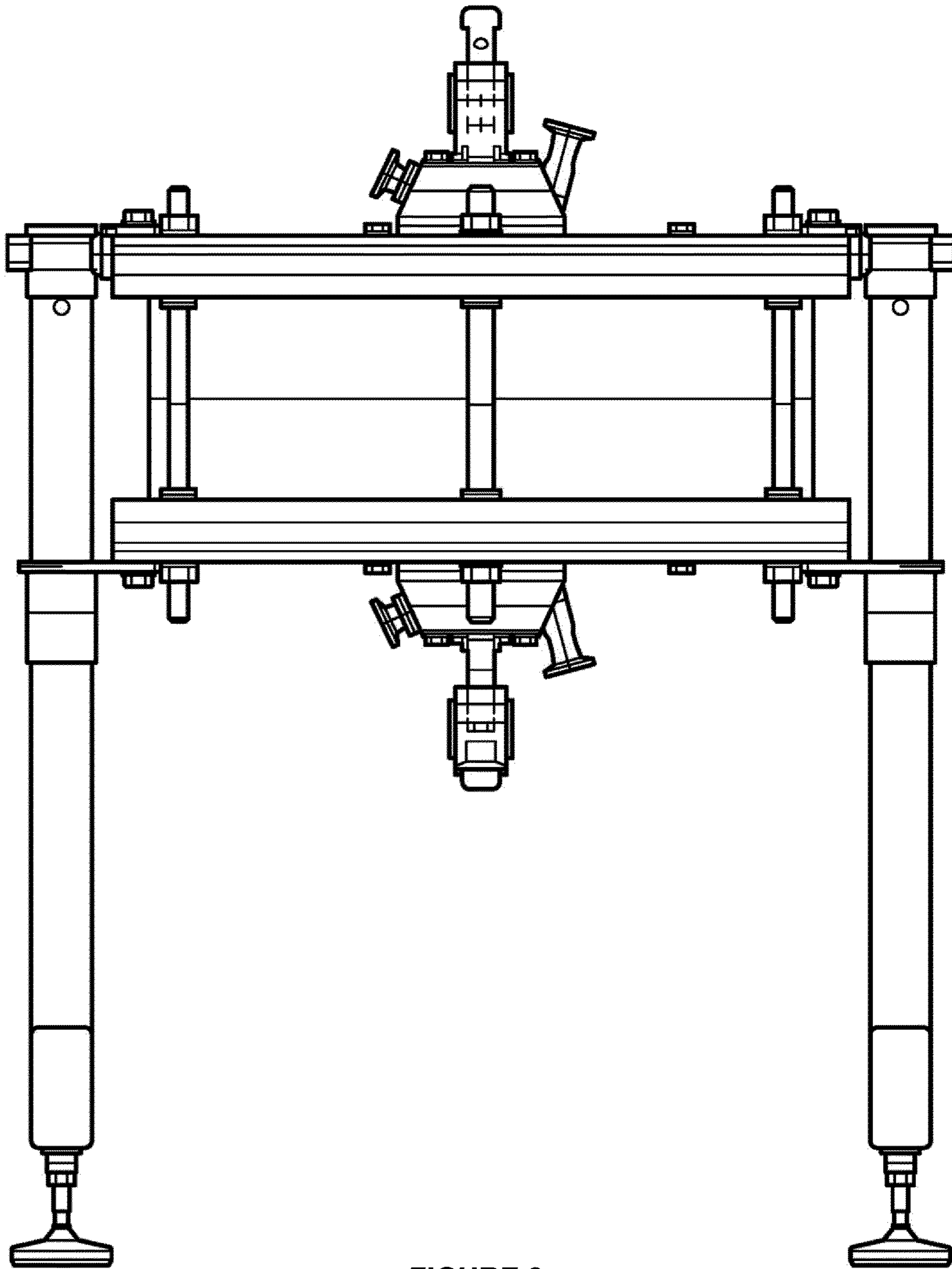


FIGURE 3

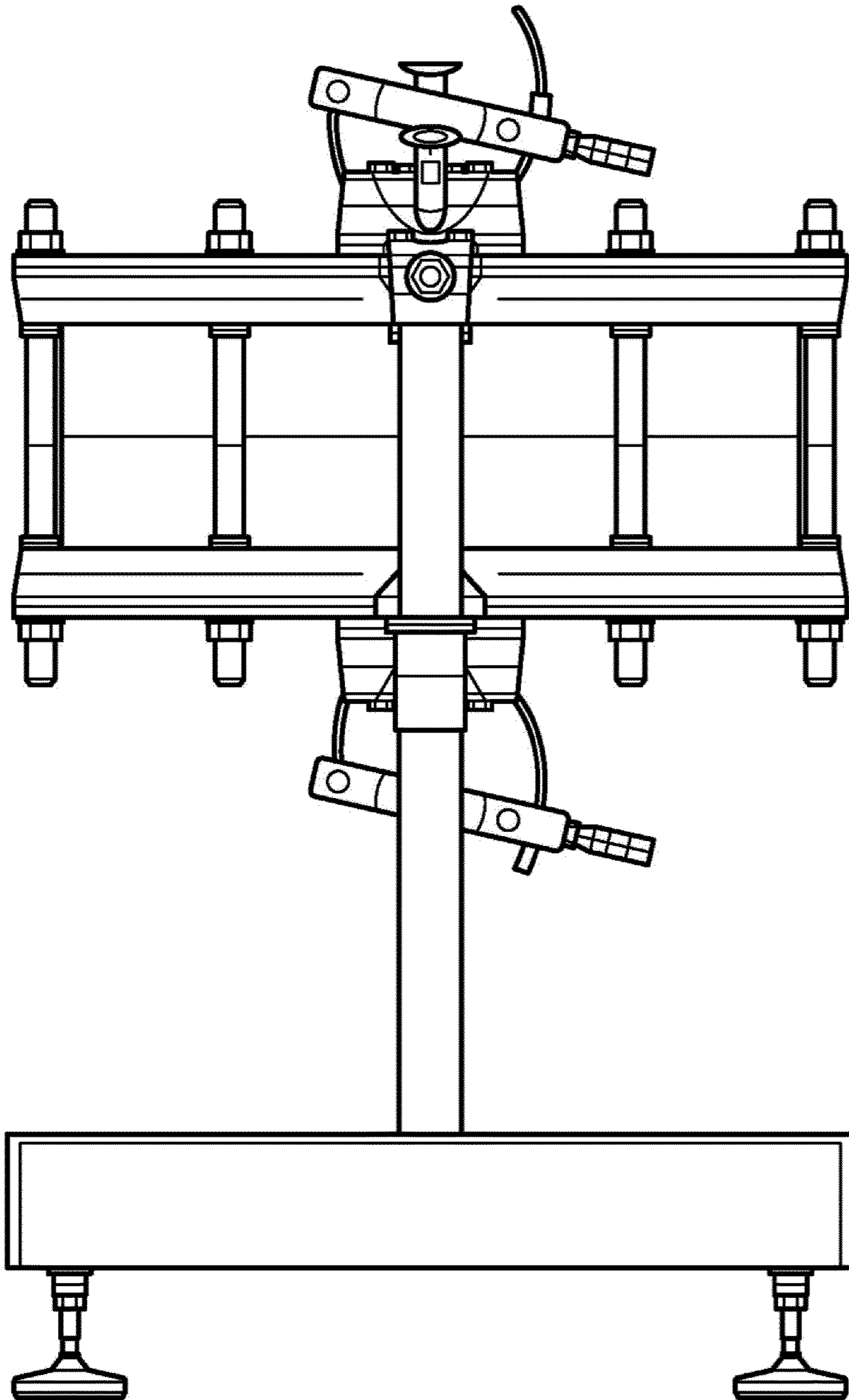


FIGURE 4

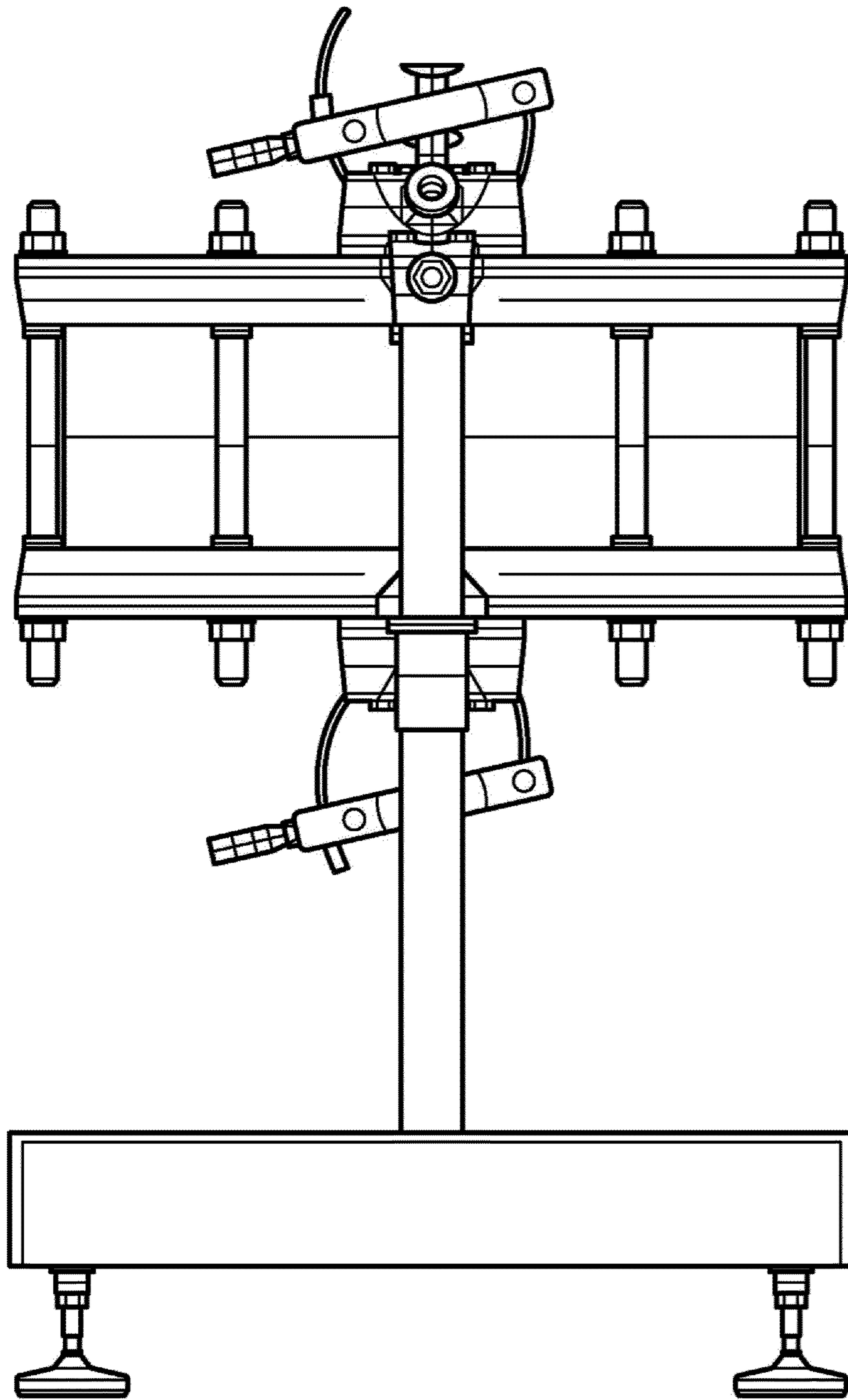


FIGURE 5

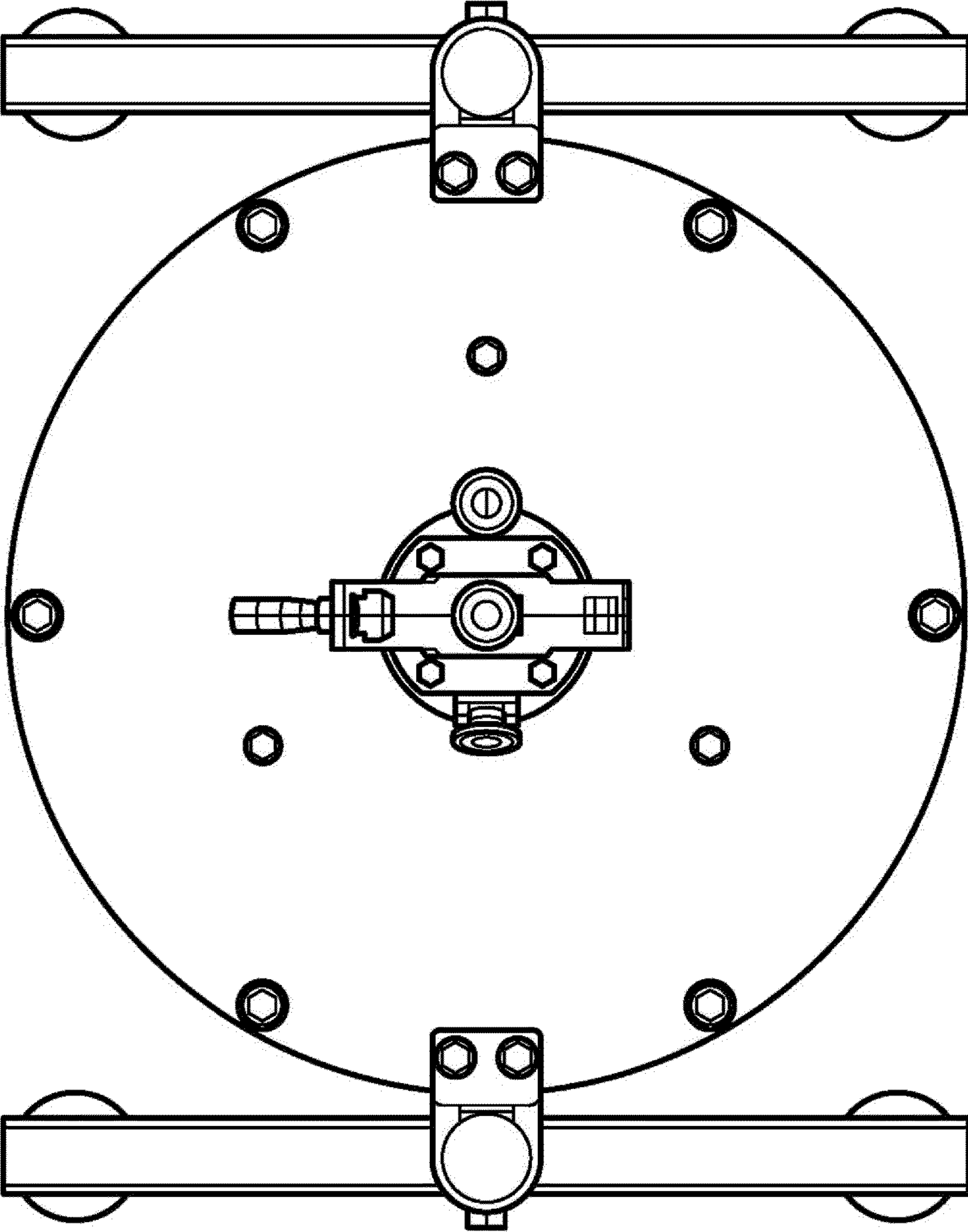


FIGURE 6

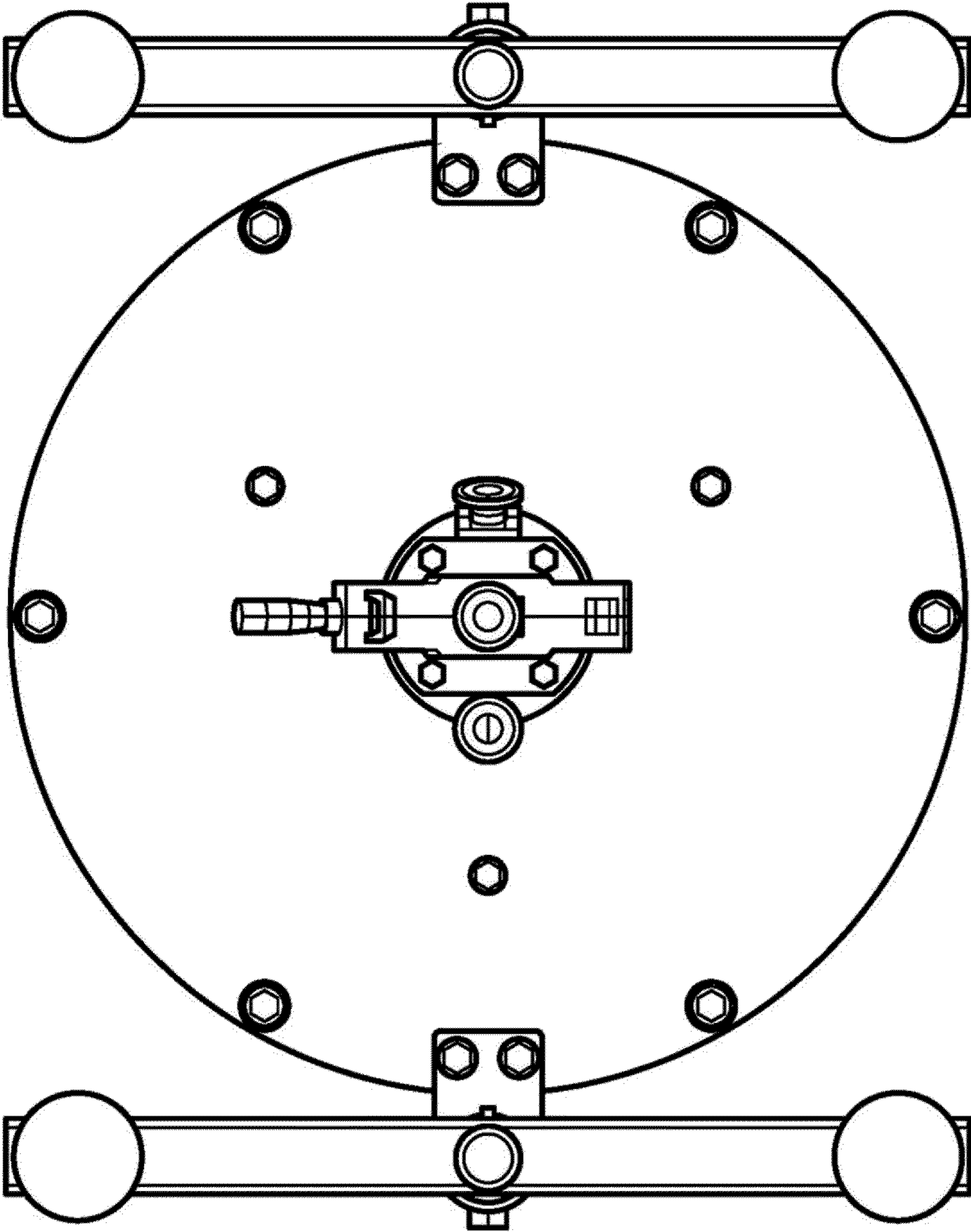


FIGURE 7