



US00D715955S

(12) **United States Design Patent**  
**Hsu**

(10) **Patent No.:** **US D715,955 S**  
(45) **Date of Patent:** **\*\* Oct. 21, 2014**

(54) **HANDLE FOR A MASSAGE DEVICE**

(71) Applicant: **Ching-Feng Hsu**, New Taipei (TW)

(72) Inventor: **Ching-Feng Hsu**, New Taipei (TW)

(\*\*) Term: **14 Years**

(21) Appl. No.: **29/485,806**

(22) Filed: **Mar. 24, 2014**

(51) **LOC (10) Cl.** ..... **28-03**

(52) **U.S. Cl.**  
CPC ..... **A61H 19/00** (2013.01)  
USPC ..... **D24/215**

(58) **Field of Classification Search**  
CPC ..... A61H 19/30; A61H 19/32; A61H 19/34;  
A61H 19/40; A61H 19/44; A61H 19/50;  
A61H 19/00; A61H 2201/0153; A61H  
2201/0207; A61H 2201/0263; A61H  
2201/0111; A61H 2201/1253; A61H  
2205/082; A61H 2205/085; A61H 15/0085  
USPC ..... D24/200, 211, 212, 213, 214, 215;  
D21/685; 601/19, 27-32, 46, 49, 52,  
601/DIG. 12, DIG. 14, DIG. 15, DIG. 16,  
601/DIG. 17  
See application file for complete search history.

(56) **References Cited**

**U.S. PATENT DOCUMENTS**

D548,850 S \* 8/2007 Gladieux, III ..... D24/214  
D607,116 S \* 12/2009 Morganstern ..... D24/214

D637,728 S \* 5/2011 Sevier et al. .... D24/211  
D638,134 S \* 5/2011 Nikitezuk et al. .... D24/215  
D673,688 S \* 1/2013 Zeng et al. .... D24/215  
D687,960 S \* 8/2013 Zeng et al. .... D24/215

\* cited by examiner

*Primary Examiner* — Sandra Snapp

(74) *Attorney, Agent, or Firm* — Alan Kamrath; Kamrath IP  
Lawfirm, P.A.

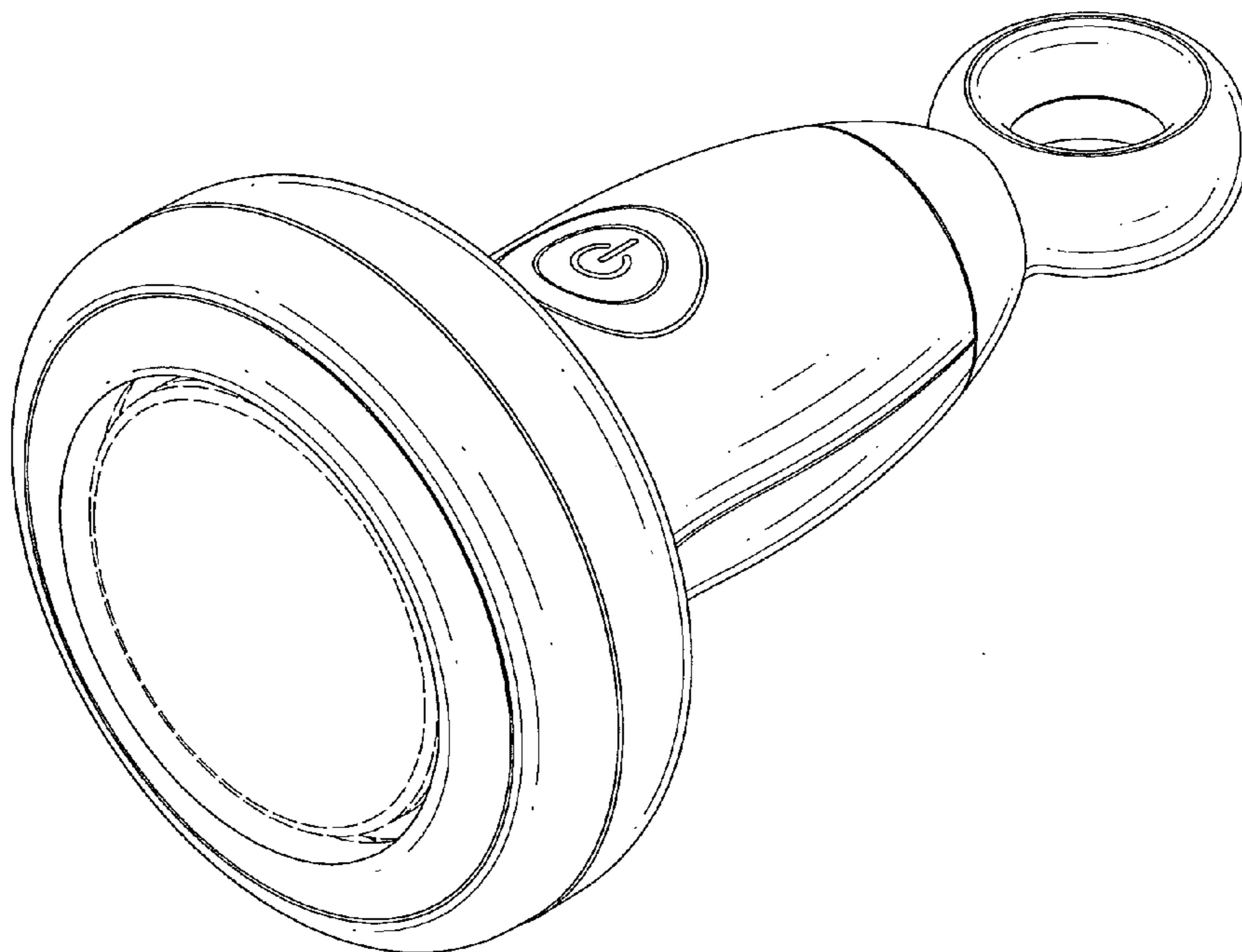
(57) **CLAIM**

The ornamental design for a handle for a massage device, as  
shown and described.

**DESCRIPTION**

FIG. 1 is a perspective view of a handle for a massage device  
showing my new design;  
FIG. 2 is a front view thereof;  
FIG. 3 is a rear view thereof;  
FIG. 4 is a left side view thereof;  
FIG. 5 is a right side view thereof;  
FIG. 6 is a top view thereof;  
FIG. 7 is a bottom view thereof;  
FIG. 8 is a perspective view showing the handle for a massage  
device connected with a massaging head;  
FIG. 9 is a perspective view showing the handle for a massage  
device connected with another massaging head; and,  
FIG. 10 is a perspective view showing the handle for a mas-  
sage device connected with still another massaging head.  
The broken lines are shown for illustrative purposes only and  
form no part of the claimed design.

**1 Claim, 10 Drawing Sheets**



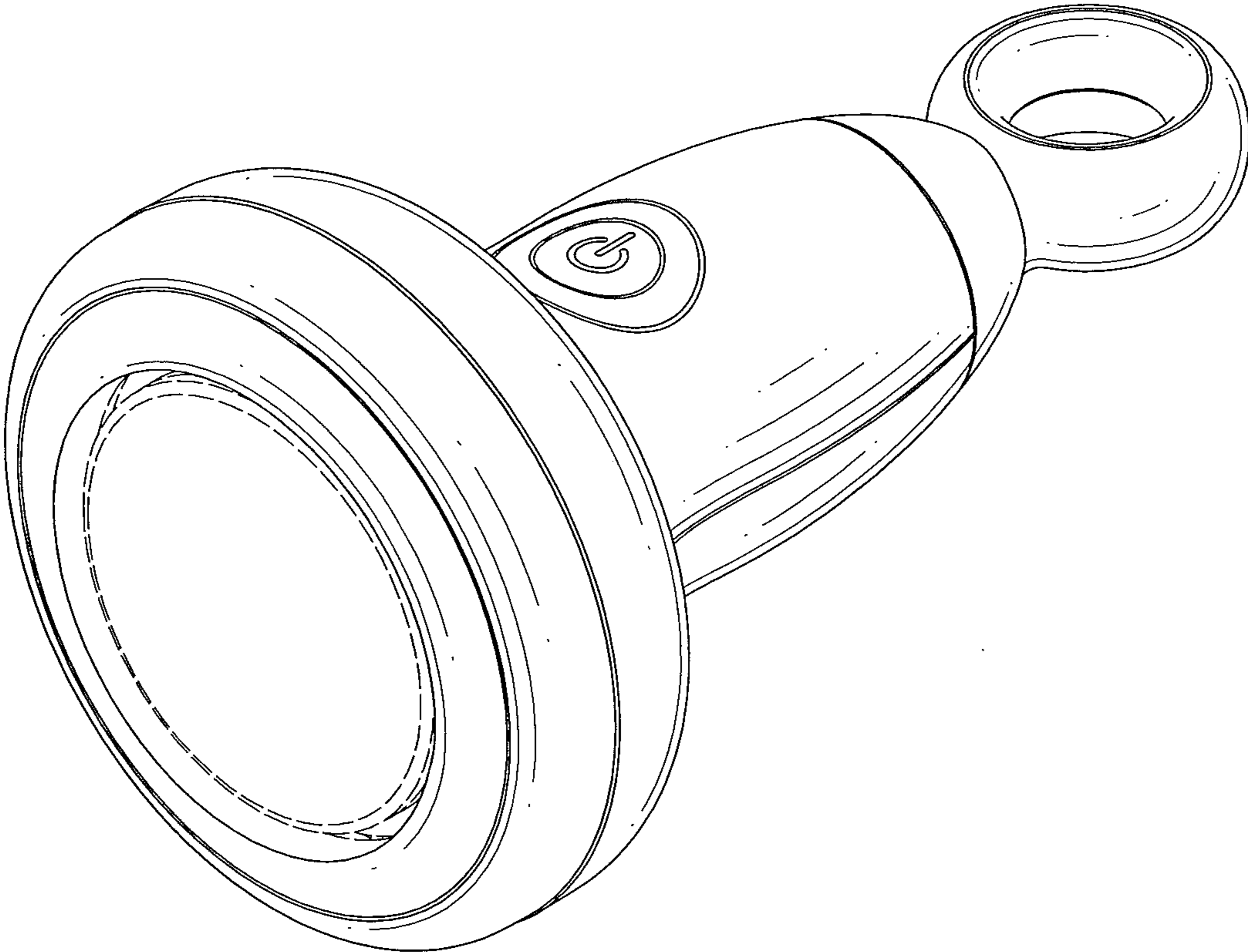


FIG.1

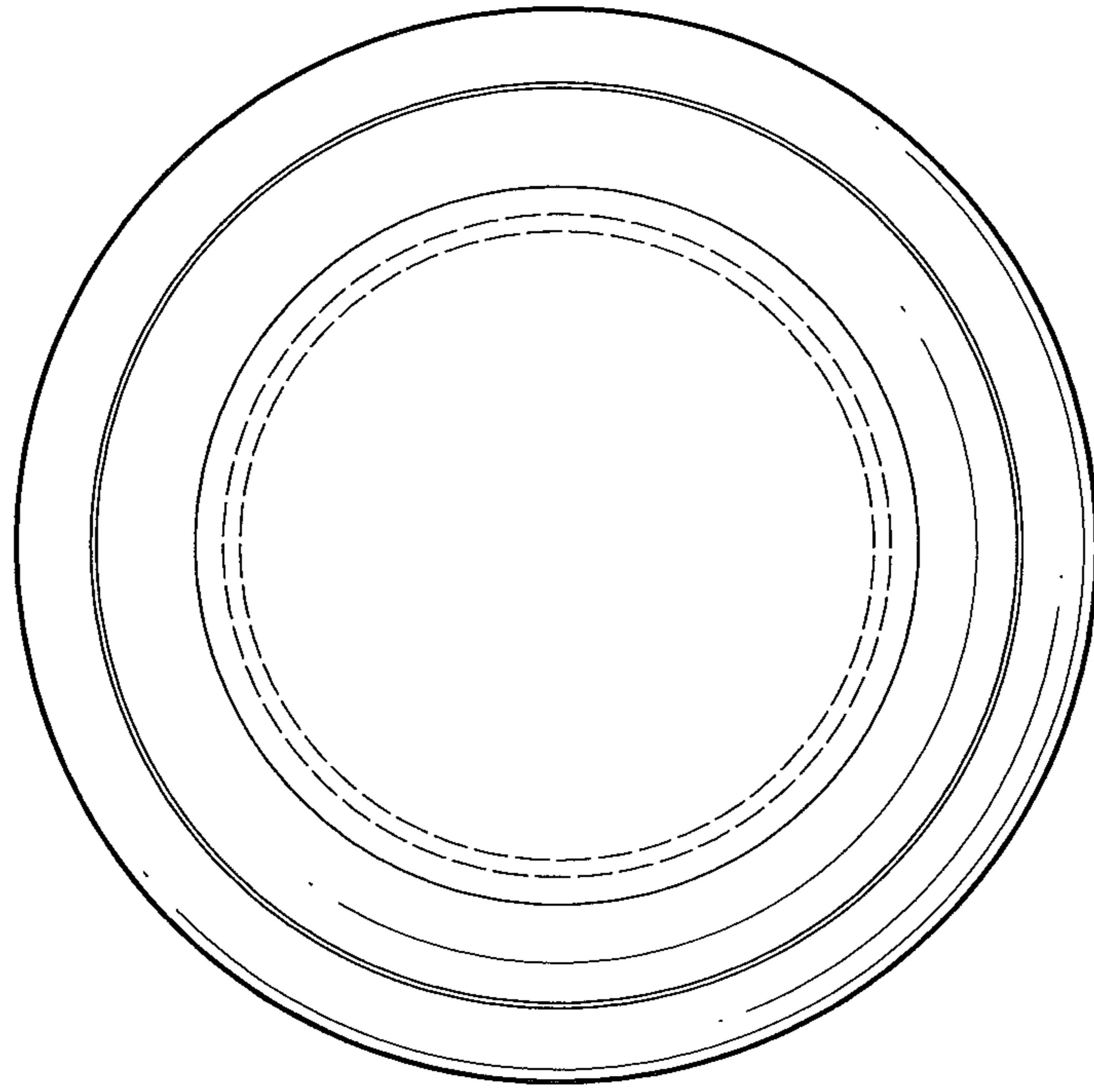


FIG.2

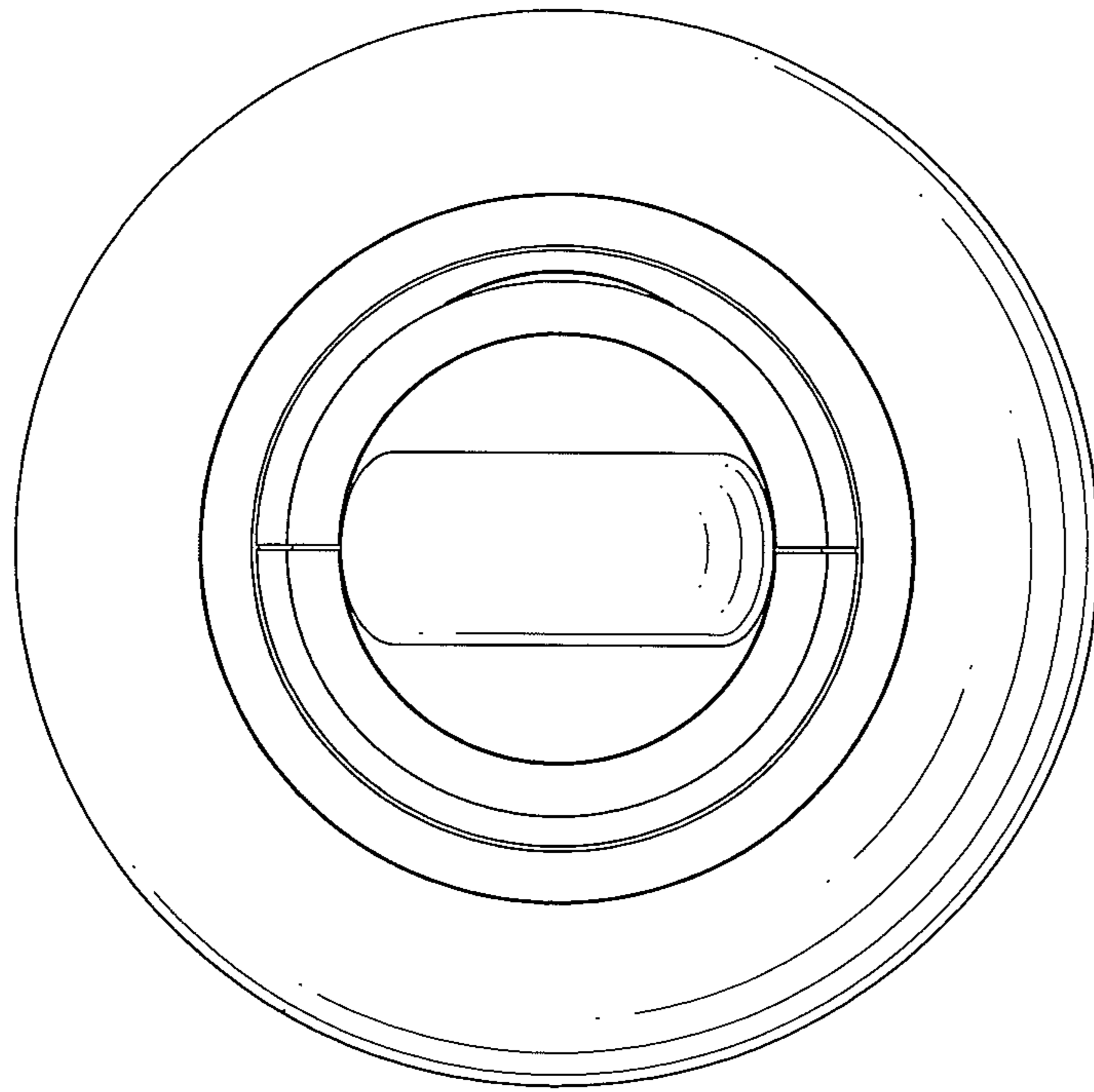


FIG.3

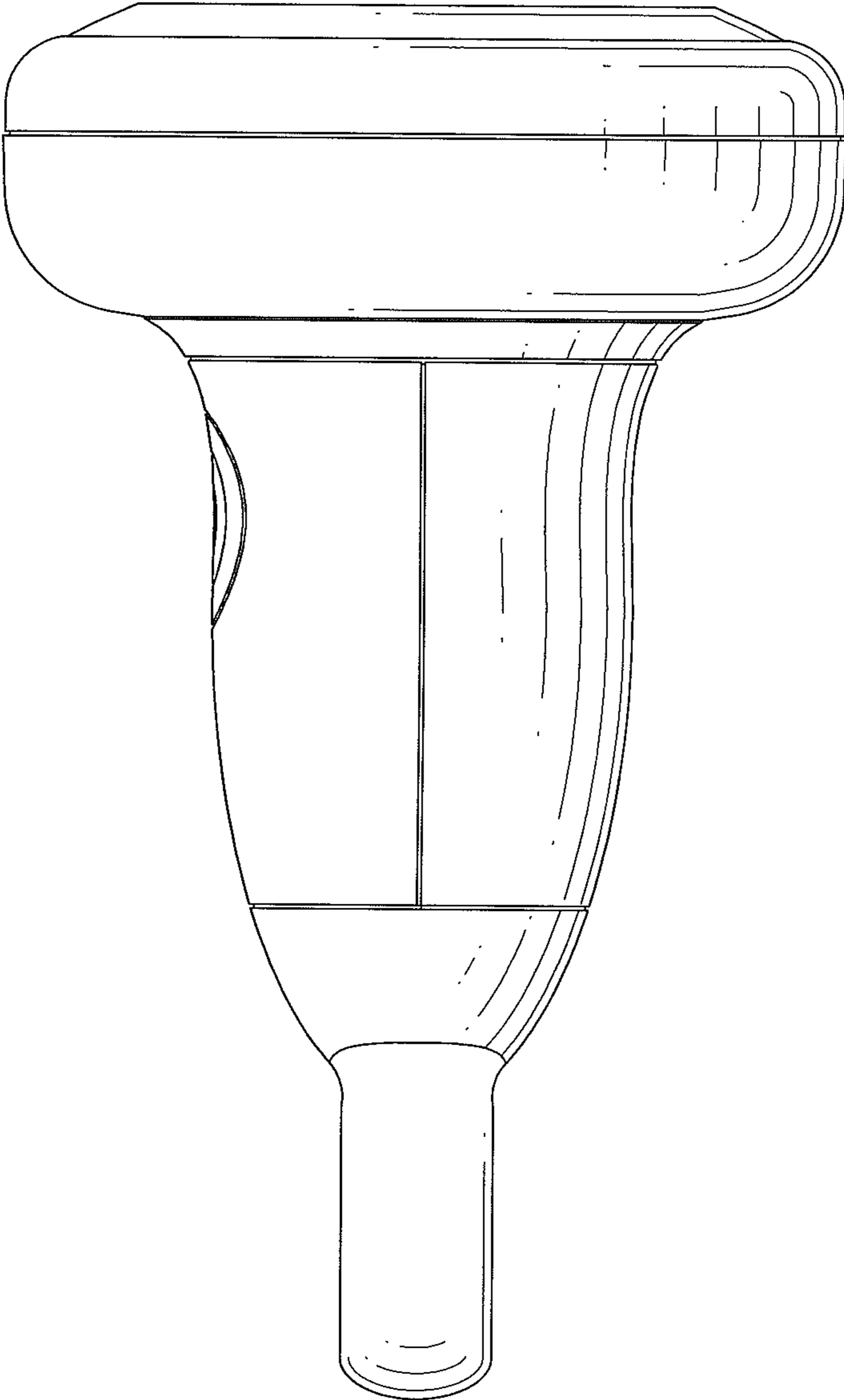


FIG.4

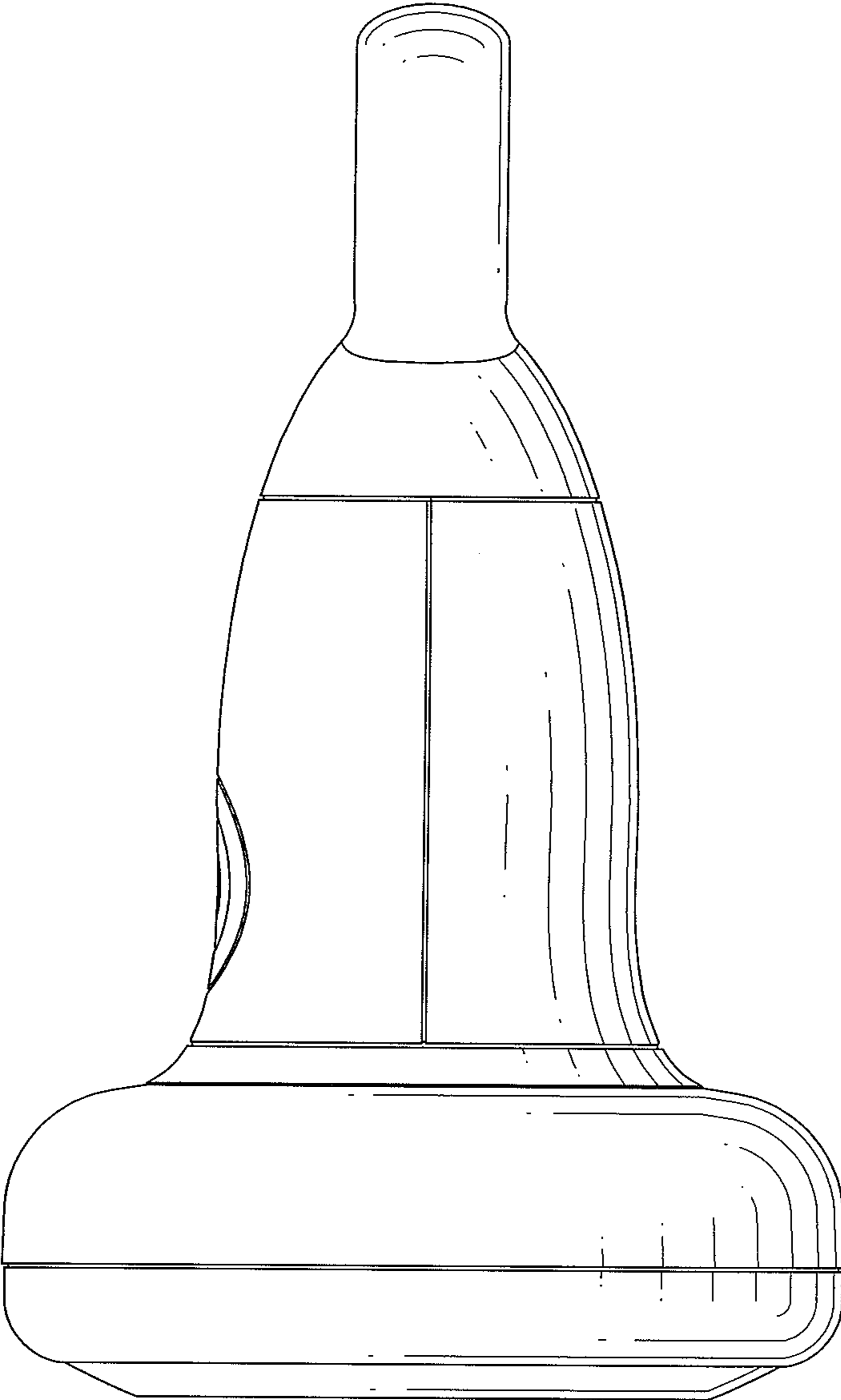


FIG.5

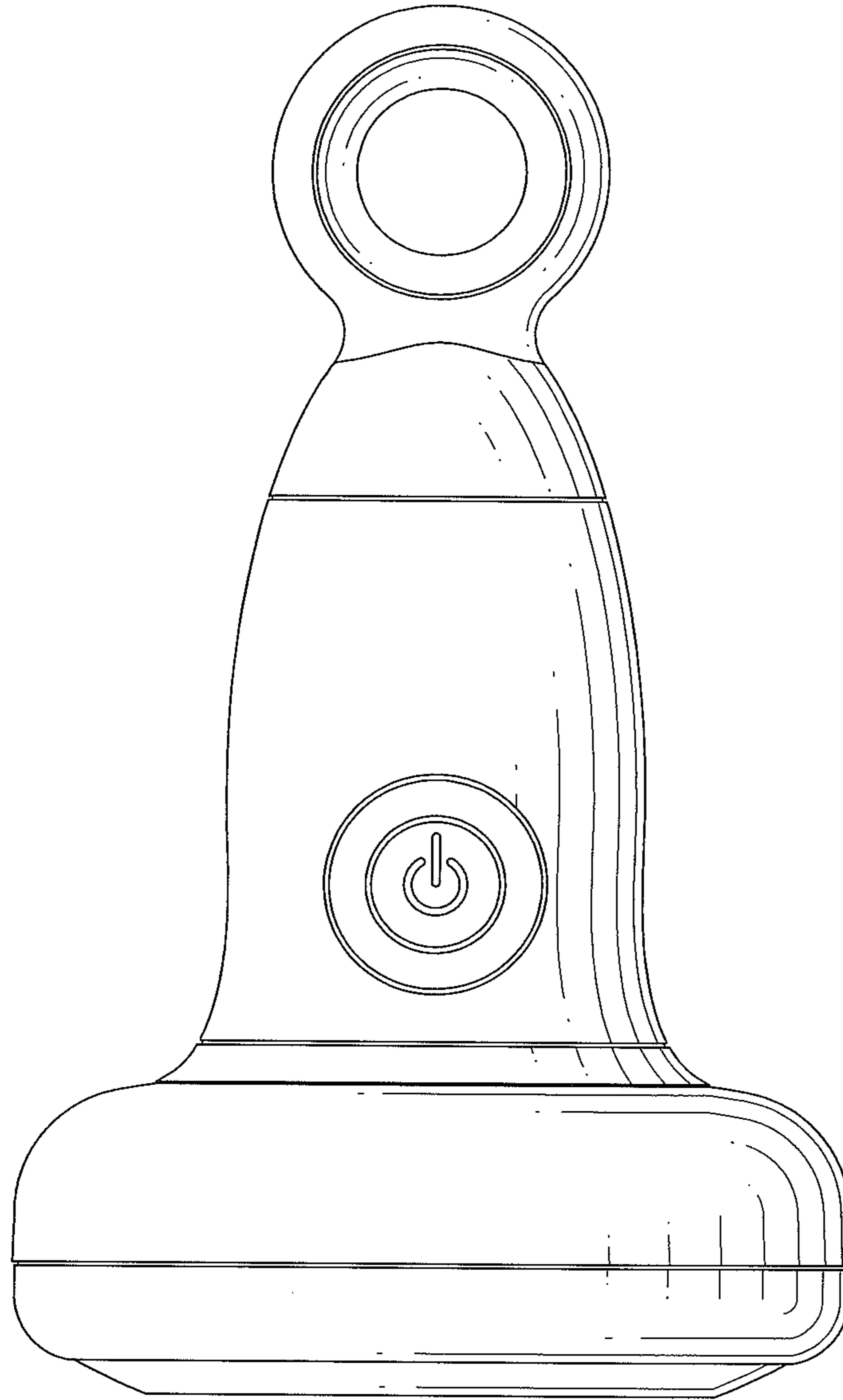


FIG.6

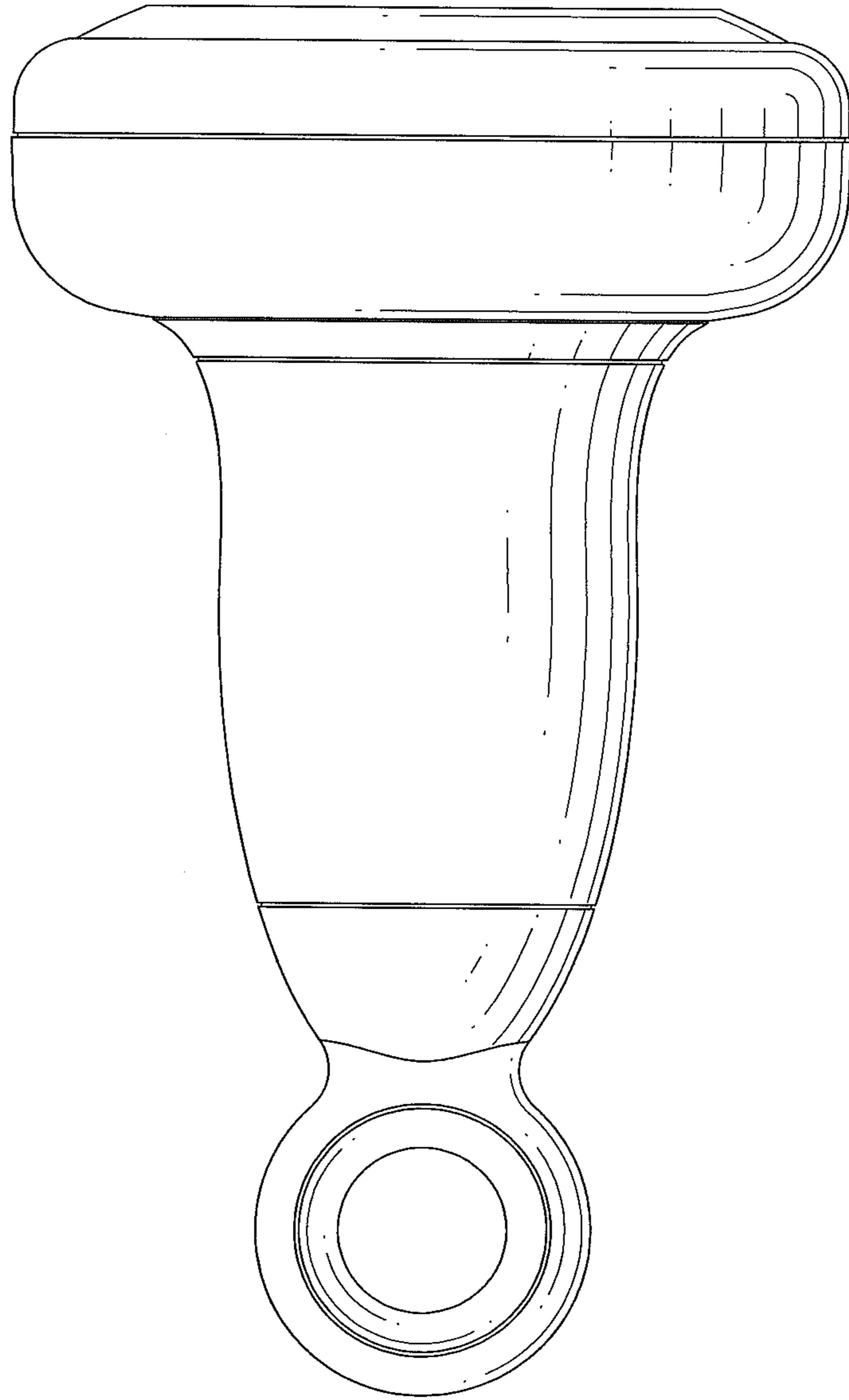


FIG.7



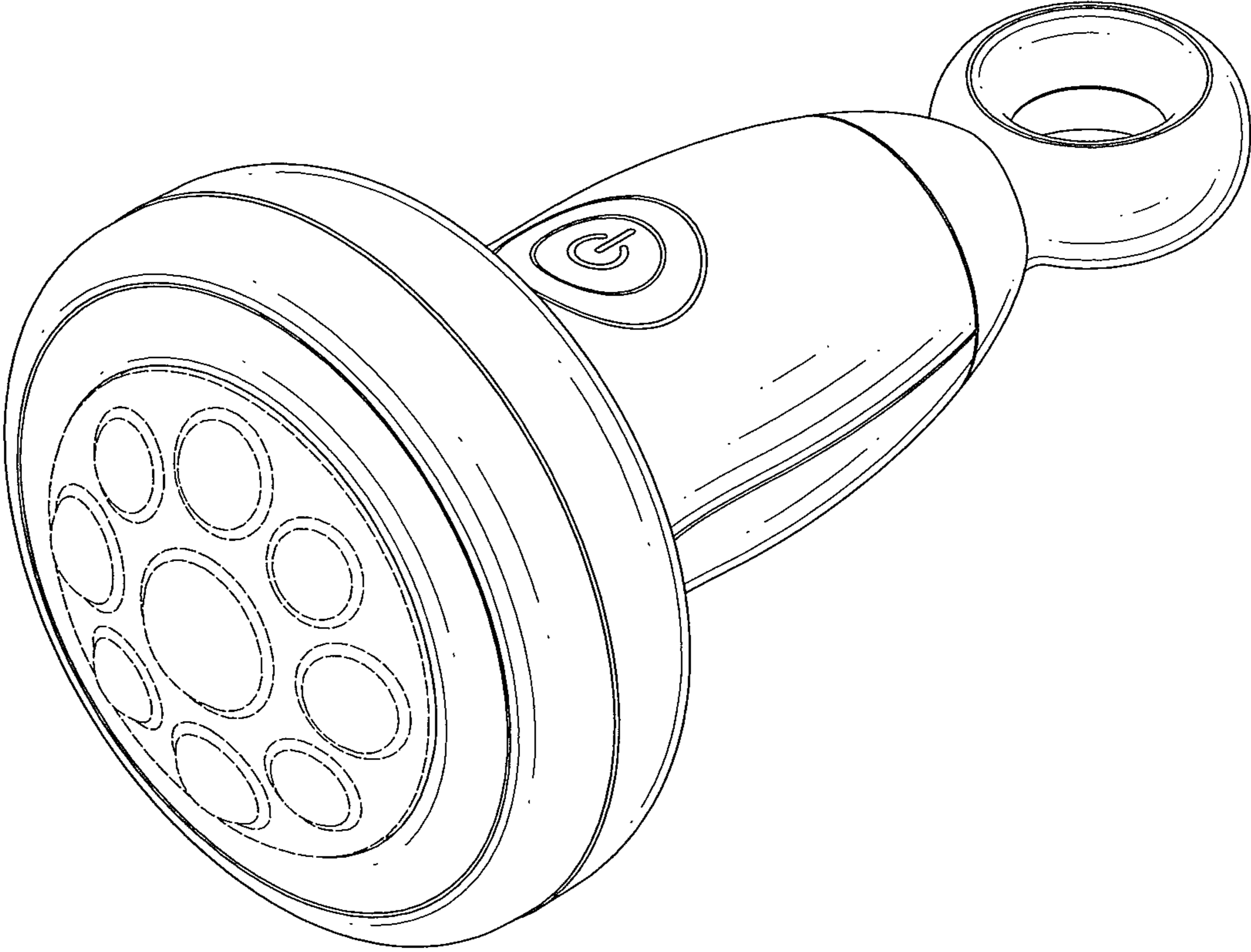


FIG.8

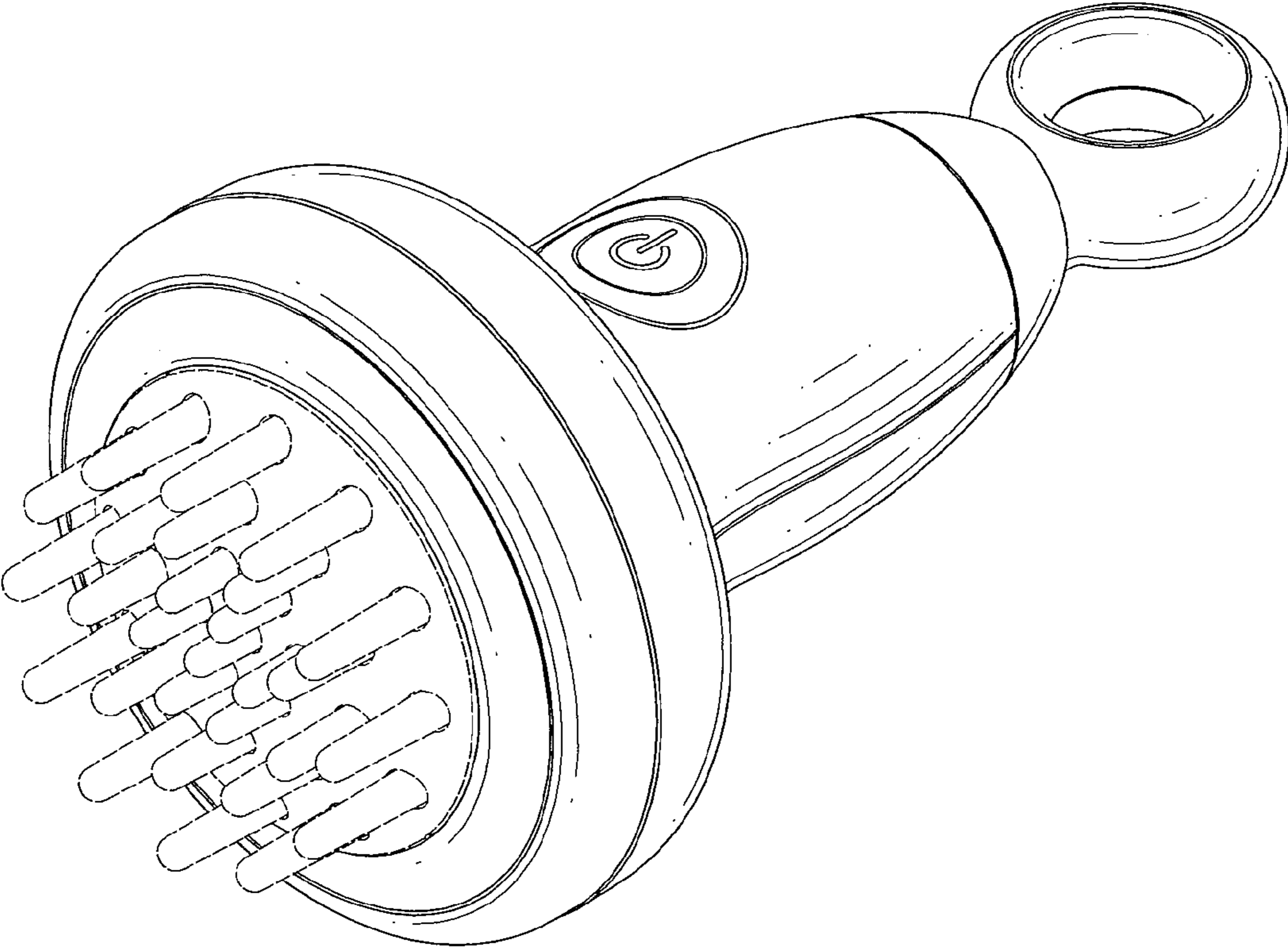


FIG.9

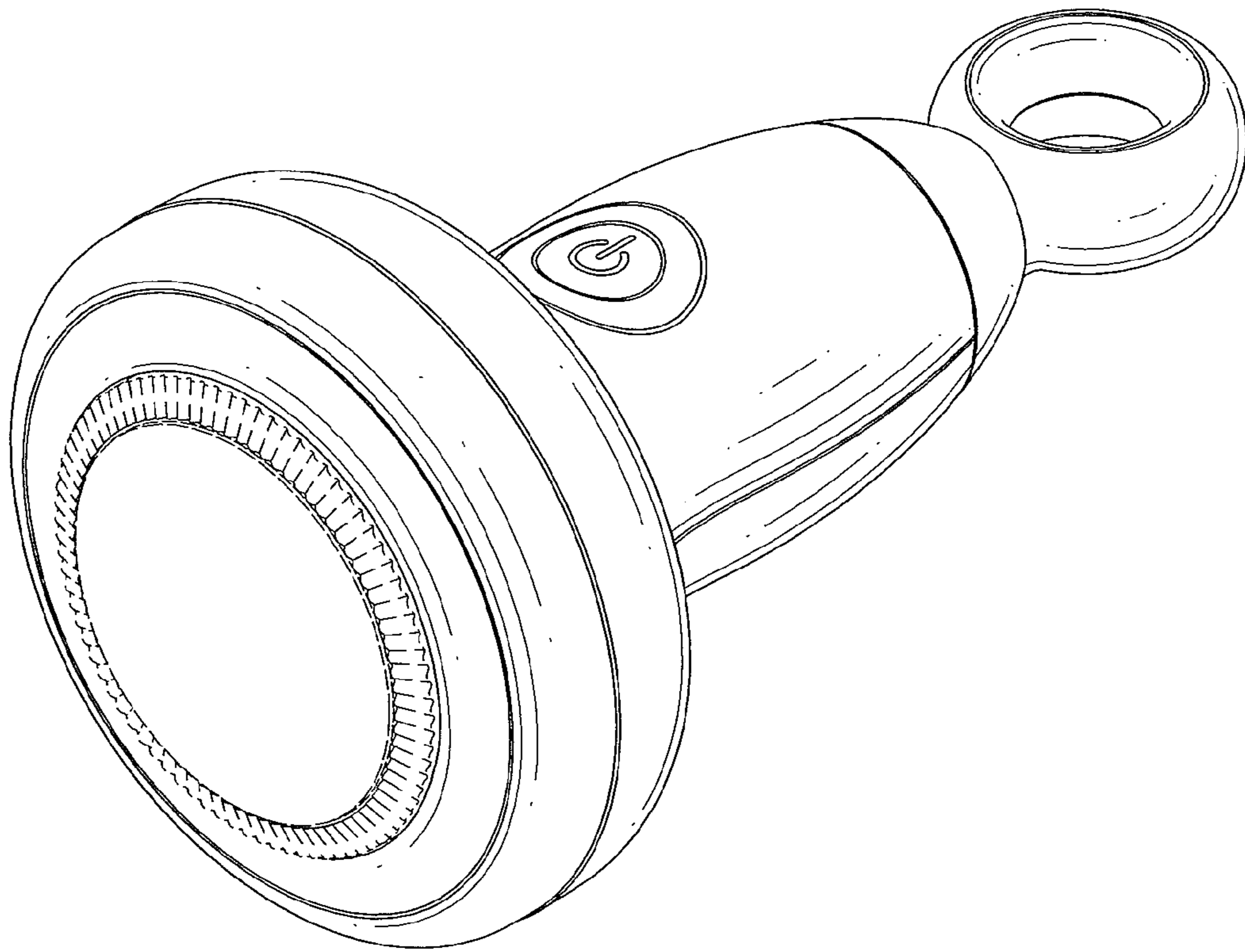


FIG.10