



US00D715953S

(12) **United States Design Patent**
Huang et al.

(10) **Patent No.:** **US D715,953 S**

(45) **Date of Patent:** **** Oct. 21, 2014**

(54) **FOLDABLE MESSAGE DEVICE WITH PAT AND SCRATCH FUNCTION**

(71) Applicants: **Te-Ming Huang**, New Taipei (TW);
Hui-Fang Liang, Taipei (TW)

(72) Inventors: **Te-Ming Huang**, New Taipei (TW);
Hui-Fang Liang, Taipei (TW)

(**) Term: **14 Years**

(21) Appl. No.: **29/491,170**

(22) Filed: **May 19, 2014**

(51) **LOC (10) Cl.** **28-03**

(52) **U.S. Cl.**
USPC **D24/214**

(58) **Field of Classification Search**
CPC A61H 19/00; A61H 19/30; A61H 19/32;
A61H 19/34; A61H 19/40; A61H 19/44;
A61H 19/50
USPC D24/211–215; 601/114, 120, 121, 124,
601/125, 130, 131, 134, 135, 136, 137;
D28/91.2
See application file for complete search history.

(56) **References Cited**

U.S. PATENT DOCUMENTS

D342,999 S * 1/1994 Gonsalves, Jr. D24/147
D369,439 S * 4/1996 Fischer D28/91.2
6,221,034 B1 * 4/2001 Chaplin 601/137
D465,335 S * 11/2002 Olguin et al. D4/134

D472,642 S * 4/2003 Henckel D24/211
D545,445 S * 6/2007 Klein D24/214
7,337,933 B1 * 3/2008 Klinberg 223/118
7,677,424 B2 * 3/2010 Yoshida 223/118
8,273,064 B2 * 9/2012 Malandrucolo, Jr. 604/304
D674,911 S * 1/2013 Caldwell D24/215
2004/0215115 A1 * 10/2004 Sheen 601/135
2007/0066919 A1 * 3/2007 Gueret 601/138
2007/0187441 A1 * 8/2007 Klinberg 223/118

* cited by examiner

Primary Examiner — Sandra Snapp

(74) *Attorney, Agent, or Firm* — Lin & Associates IP, Inc.

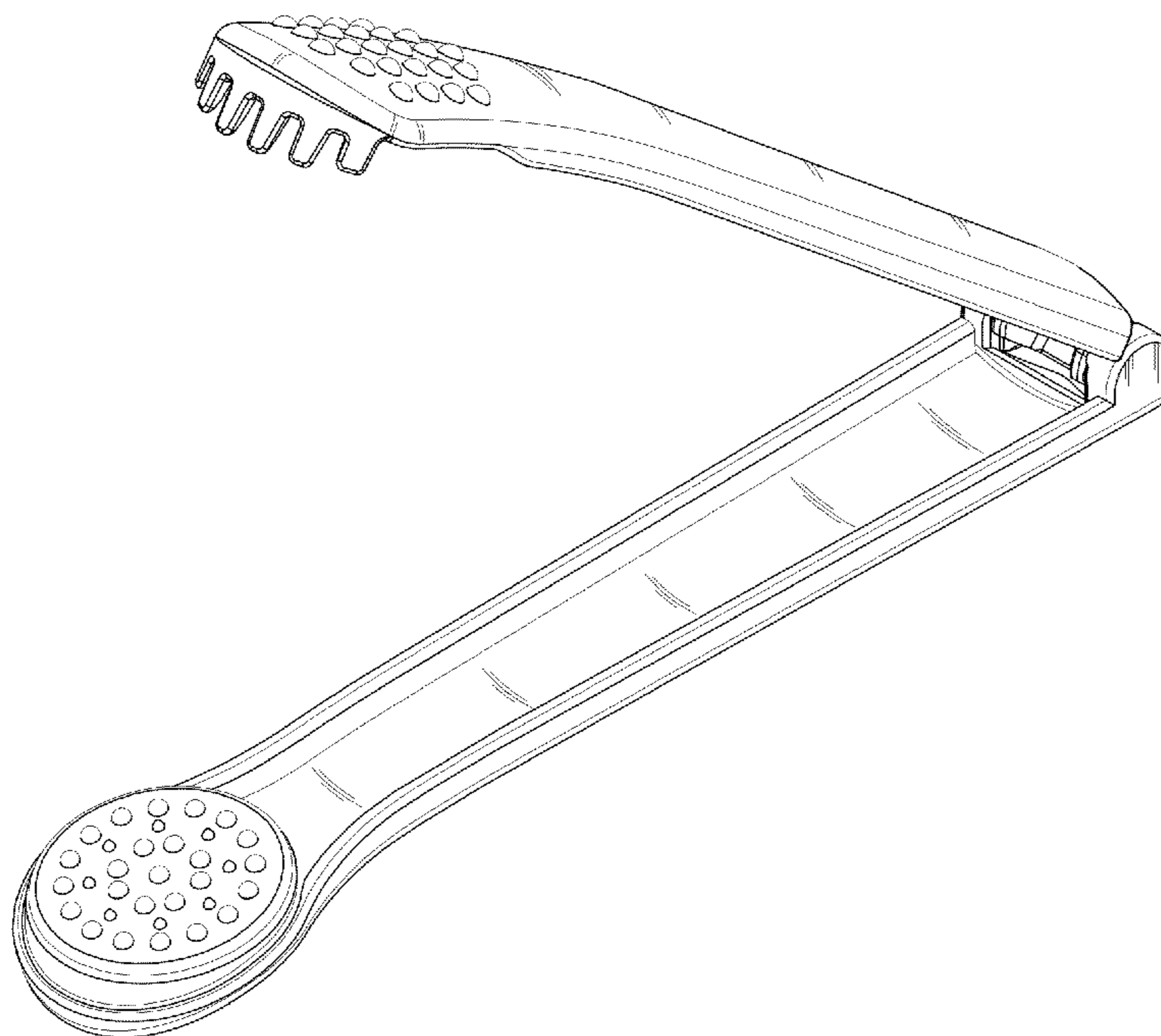
(57) **CLAIM**

The ornamental design for a foldable message device with pat and scratch function, as shown and described.

DESCRIPTION

FIG. 1 is a perspective view of a foldable message device with pat and scratch function showing my new design;
FIG. 2 is a front elevational view thereof;
FIG. 3 is a rear elevational view thereof;
FIG. 4 is a left elevational view thereof;
FIG. 5 is a right elevational view thereof;
FIG. 6 is a top view thereof;
FIG. 7 is a bottom view thereof;
FIG. 8 is a perspective view of the foldable message device viewed from another direction; and,
FIG. 9 is a perspective view of the foldable message device showing an open state thereof.

1 Claim, 8 Drawing Sheets



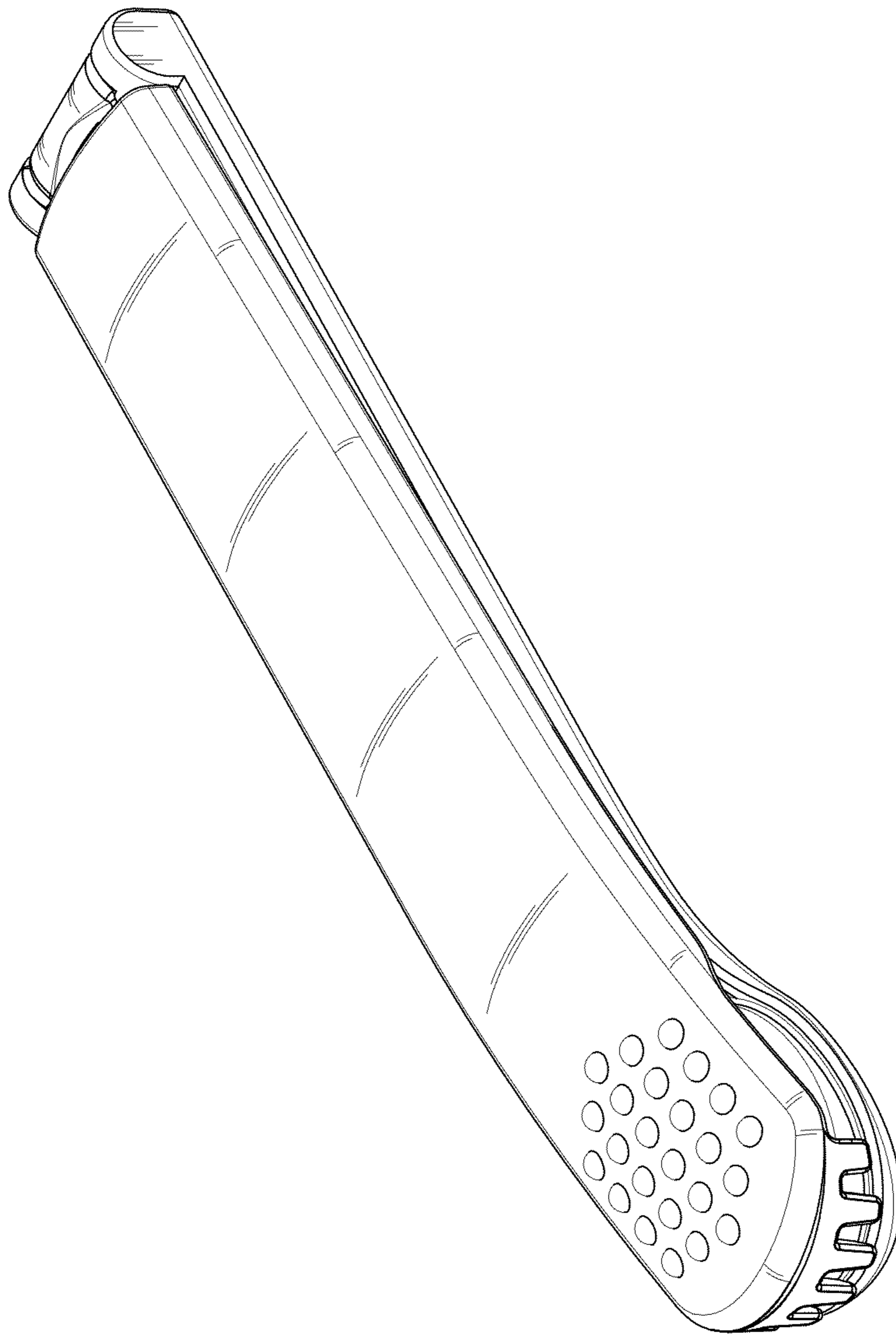


FIG. 1

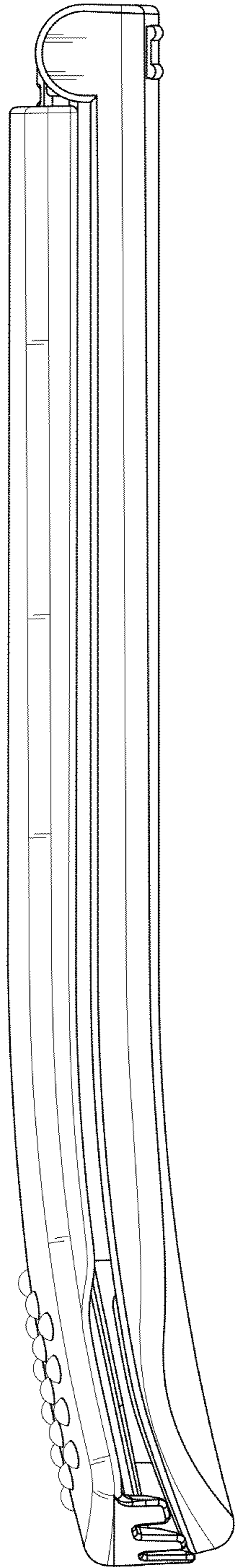


FIG. 2

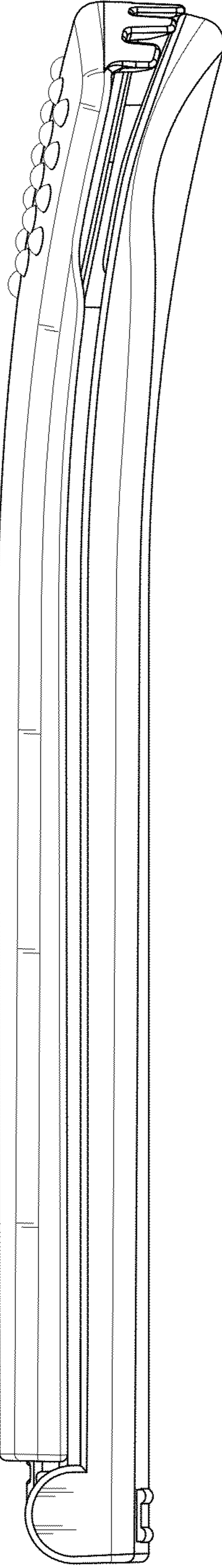


FIG. 3

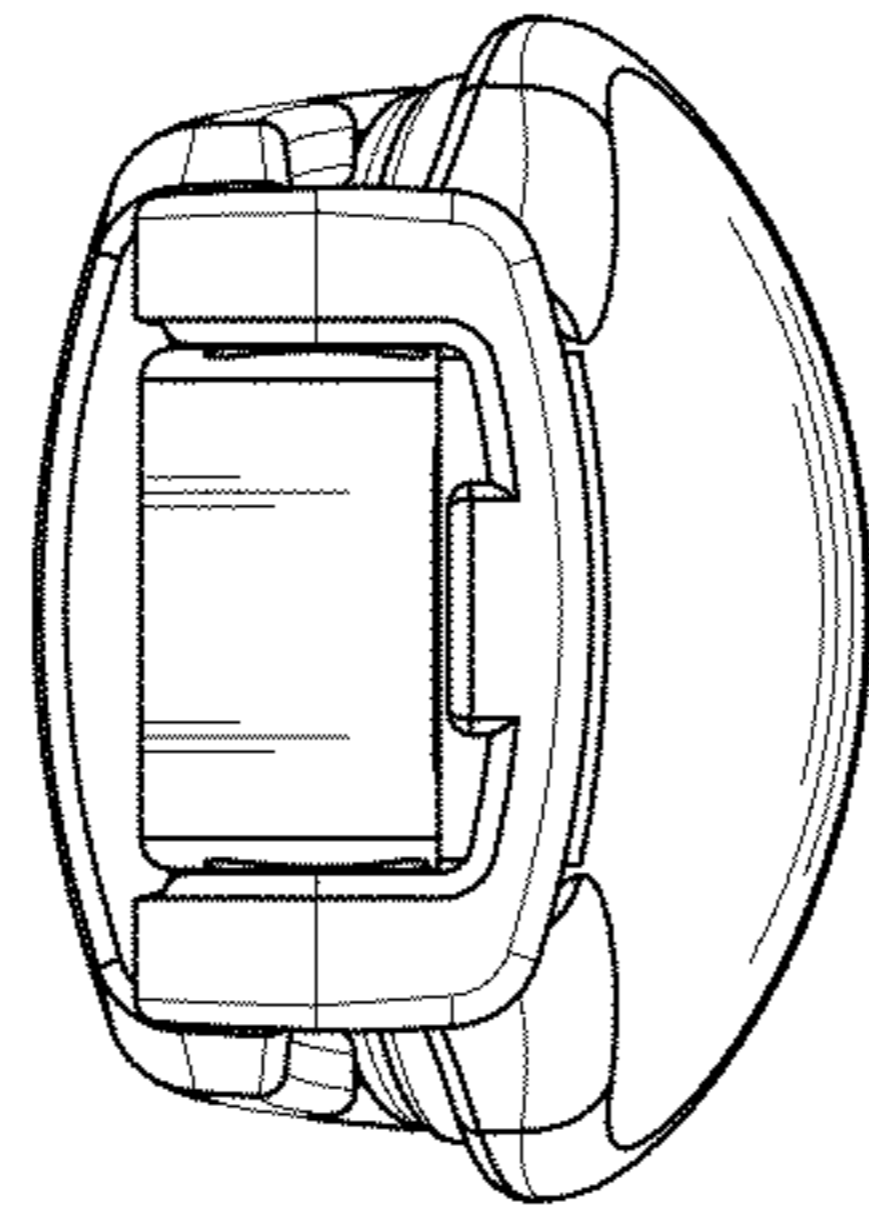


FIG. 5

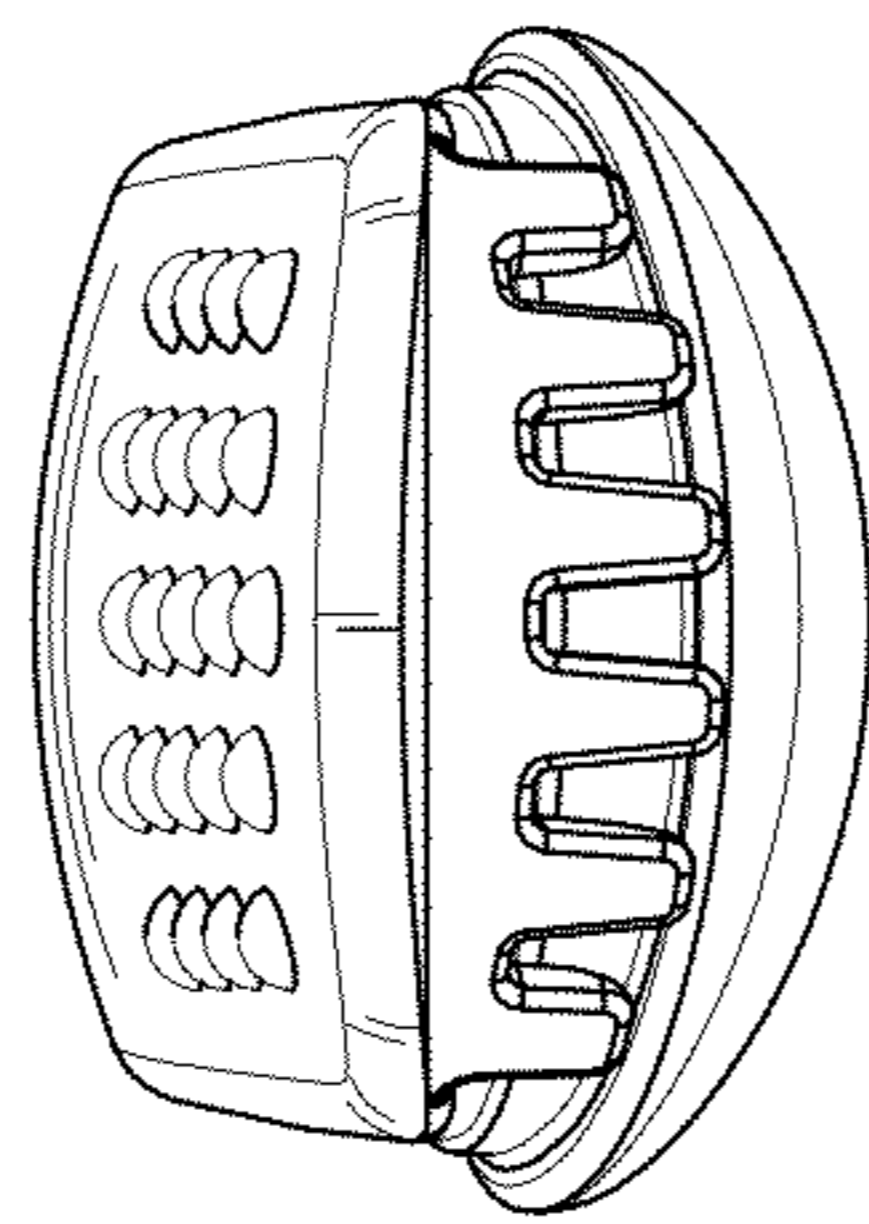


FIG. 4

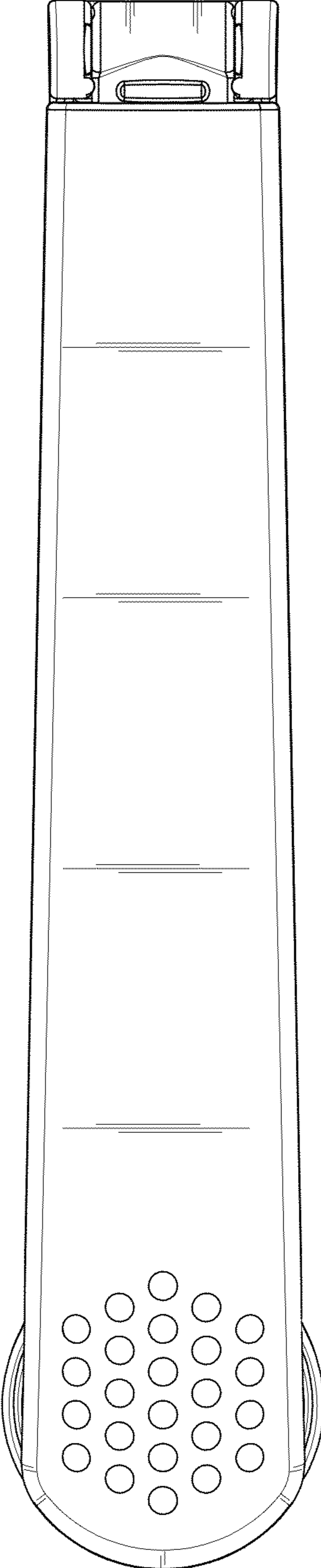


FIG. 6

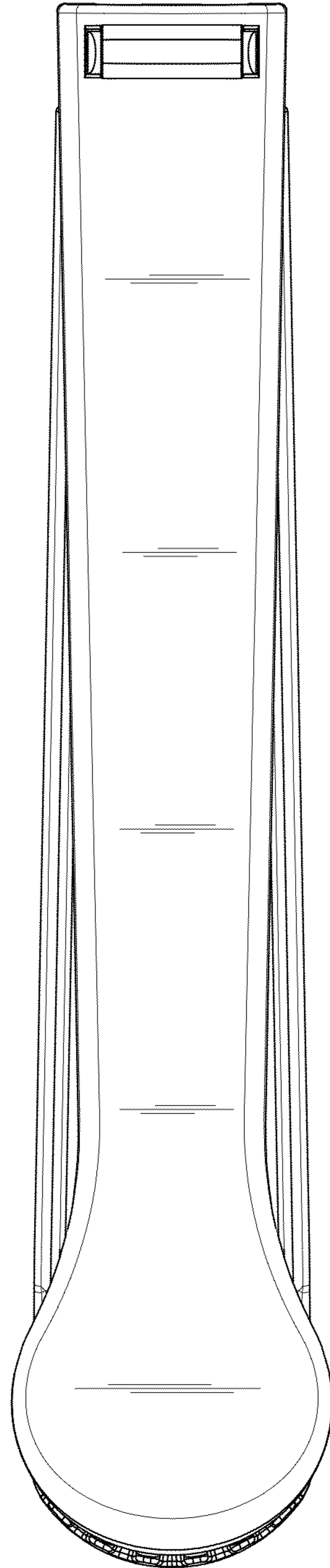


FIG. 7

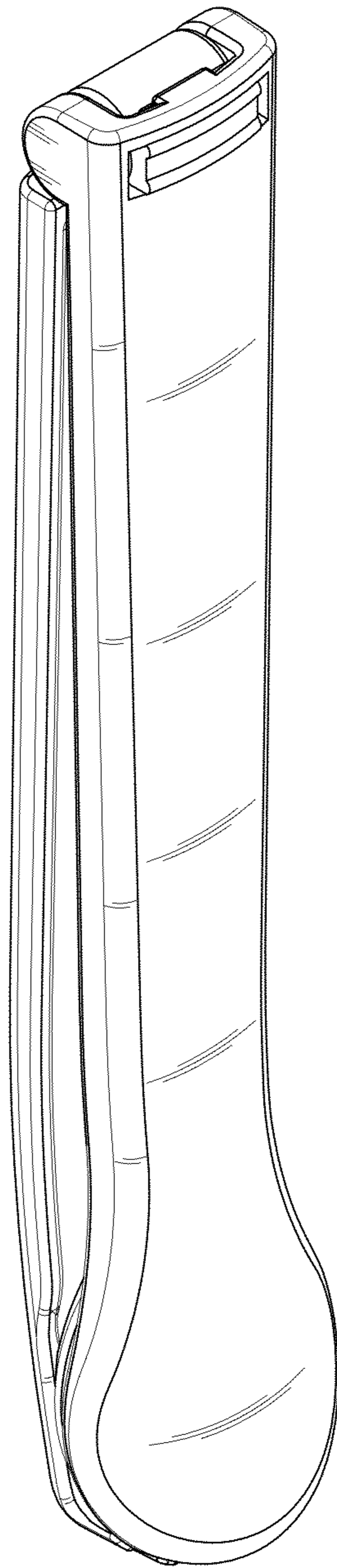


FIG. 8

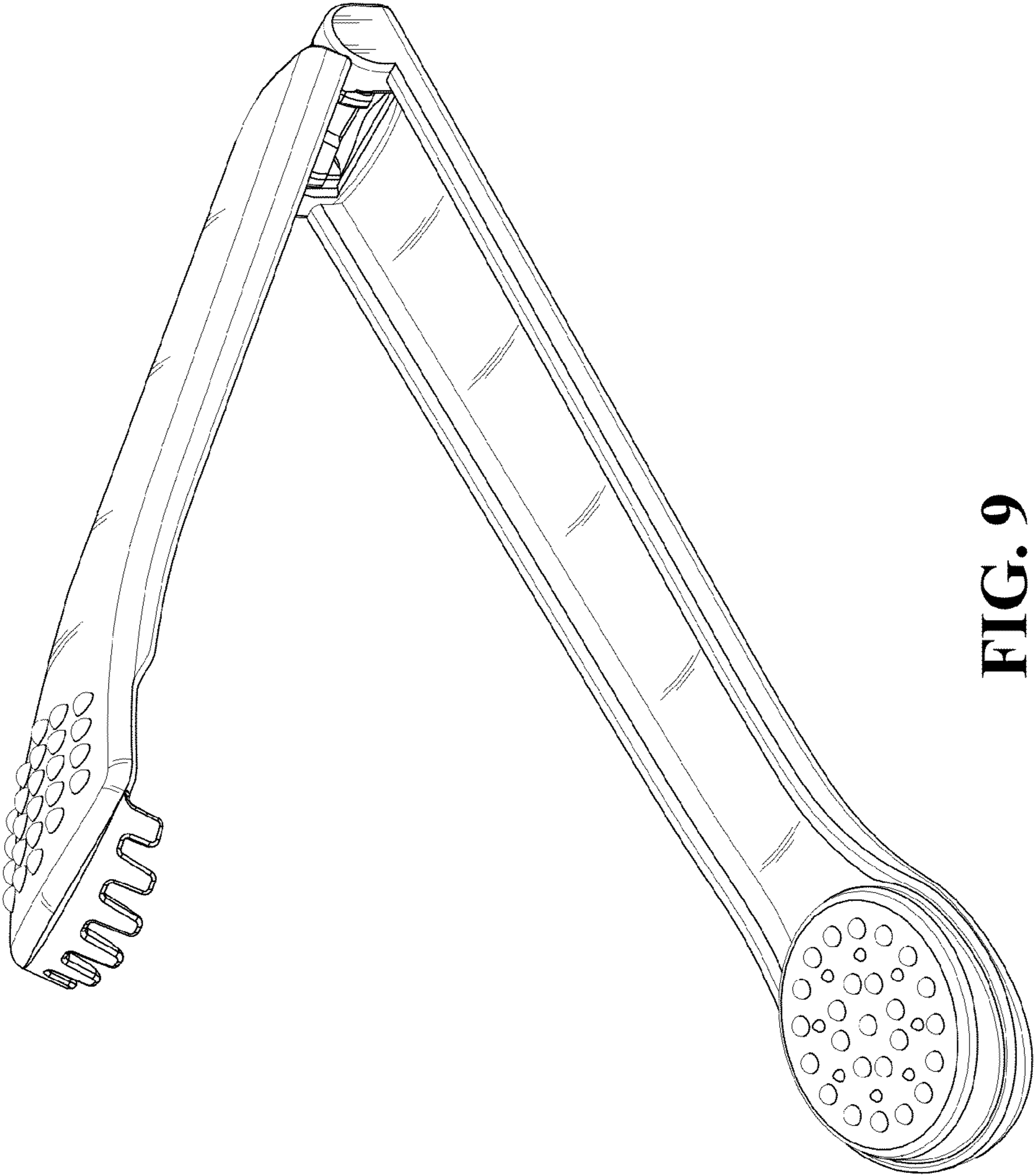


FIG. 9