



US00D715952S

(12) **United States Design Patent**
Mitchell

(10) **Patent No.:** **US D715,952 S**

(45) **Date of Patent:** **** Oct. 21, 2014**

(54) **CONTAINER NIPPLE CONNECTOR**

(75) Inventor: **Claire Mitchell**, Ripon (GB)

(73) Assignee: **Chillipeeps Limited**, North Yorkshire (GB)

(**) Term: **14 Years**

(21) Appl. No.: **29/418,396**

(22) Filed: **Apr. 16, 2012**

(30) **Foreign Application Priority Data**

Mar. 23, 2012 (EM) 002014019-001

(51) **LOC (10) Cl.** **07-01**

(52) **U.S. Cl.**
USPC **D24/197**

(58) **Field of Classification Search**
CPC A61M 5/16881; A61J 9/00
USPC 220/694, 703, 227, 235, 714, 727, 745;
D24/197, 193, 207, 129, 127, 196;
215/11.1, 11.2, 11.3, 11.4, 11.5, 11.6,
215/344; D9/452

See application file for complete search history.

(56) **References Cited**

U.S. PATENT DOCUMENTS

3,946,456 A * 3/1976 Martin et al. 15/105
D356,871 S * 3/1995 Dunn D24/197
D407,496 S * 3/1999 Varlet D24/197
D445,501 S * 7/2001 Niedospial, Jr. D24/129

6,354,449 B1 * 3/2002 Smith 215/11.1
D600,120 S * 9/2009 Kawamura D9/452
D616,747 S * 6/2010 Stull et al. D9/452
8,453,871 B2 * 6/2013 Dunyon et al. 220/745
8,684,201 B2 * 4/2014 Berkovitch et al. 215/11.5
2008/0237179 A1 * 10/2008 Fishman 215/344
2011/0127281 A1 6/2011 Mitchell

* cited by examiner

Primary Examiner — George D Kirschbaum

Assistant Examiner — Kendra L Hamilton

(74) *Attorney, Agent, or Firm* — Sheridan Ross P.C.

(57) **CLAIM**

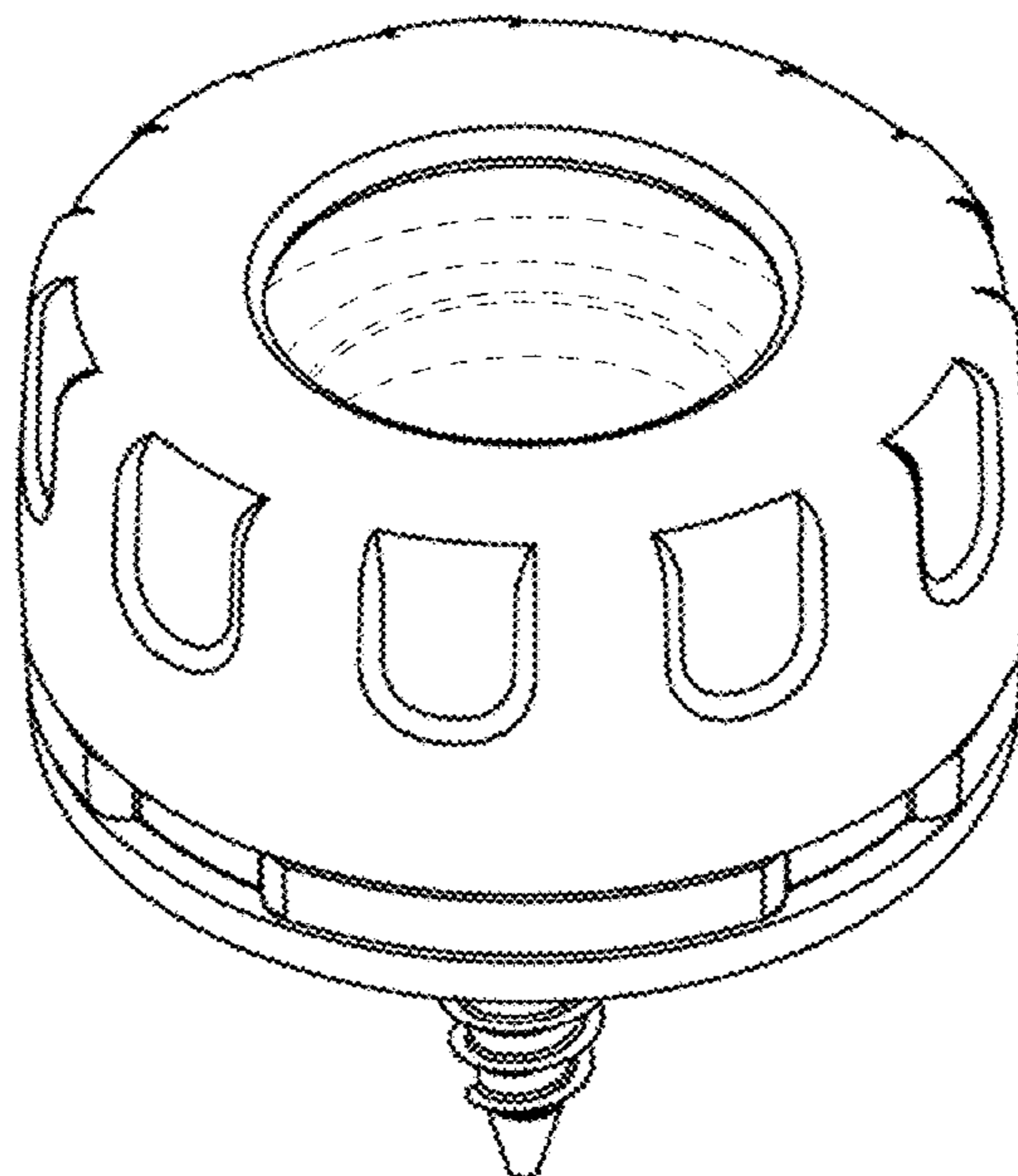
The ornamental design for a container nipple connector, as shown and described.

DESCRIPTION

FIG. 1 is a top perspective view of the container nipple connector showing the new design;
FIG. 2 is a bottom perspective view thereof;
FIG. 3 is a front elevation view thereof, the rear elevation view being a mirror image thereof;
FIG. 4 is a left elevation view thereof, the right elevation view being a mirror image thereof;
FIG. 5 is a top plan view thereof;
FIG. 6 is a bottom plan view thereof; and,
FIG. 7 is an elevation view thereof interconnected to a container and a nipple.

The broken line showing of internal elements and a bottle is included for the purpose of illustrating portions of the "article" and forms no part of the claimed design.

1 Claim, 7 Drawing Sheets



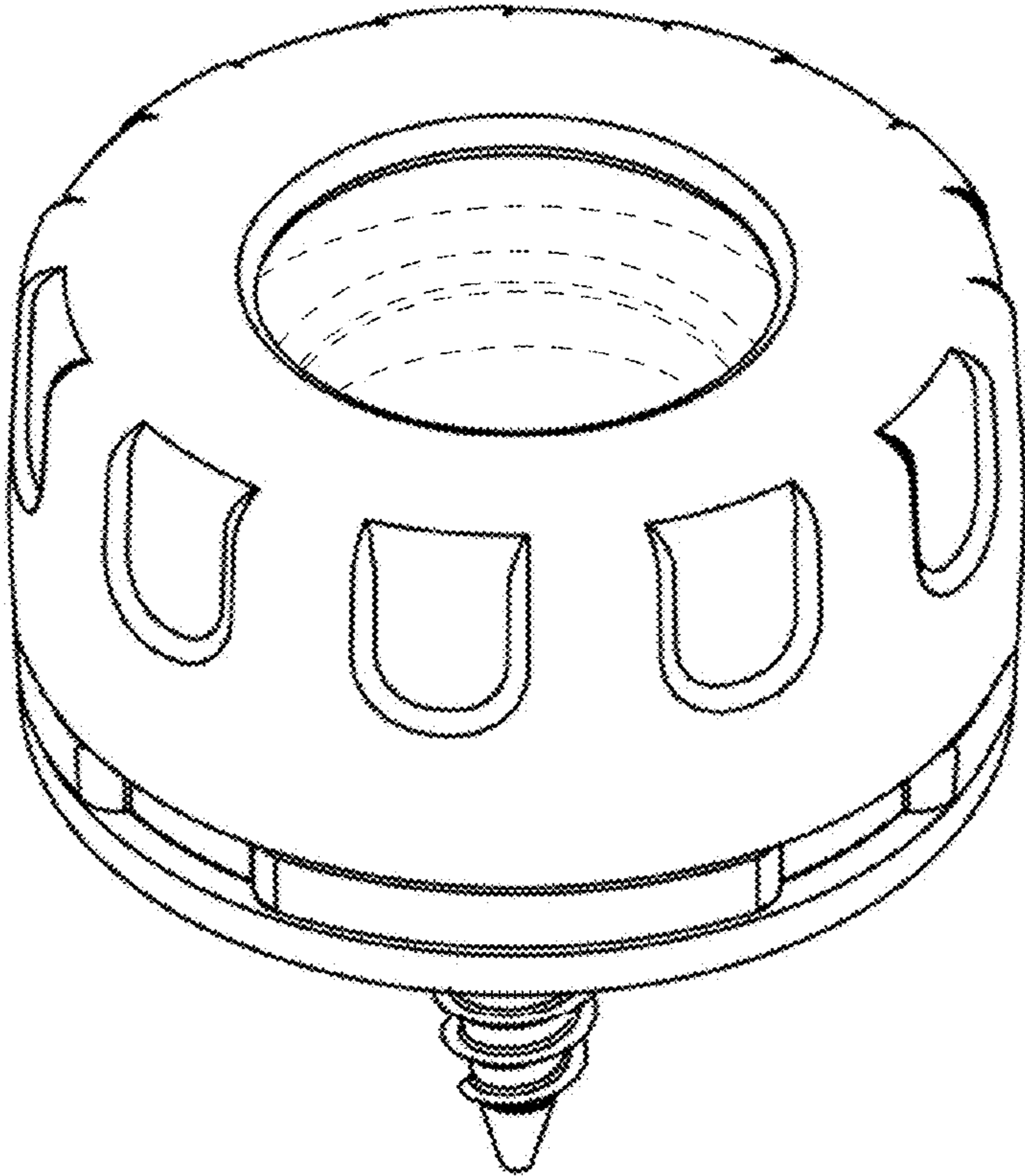


FIG. 1

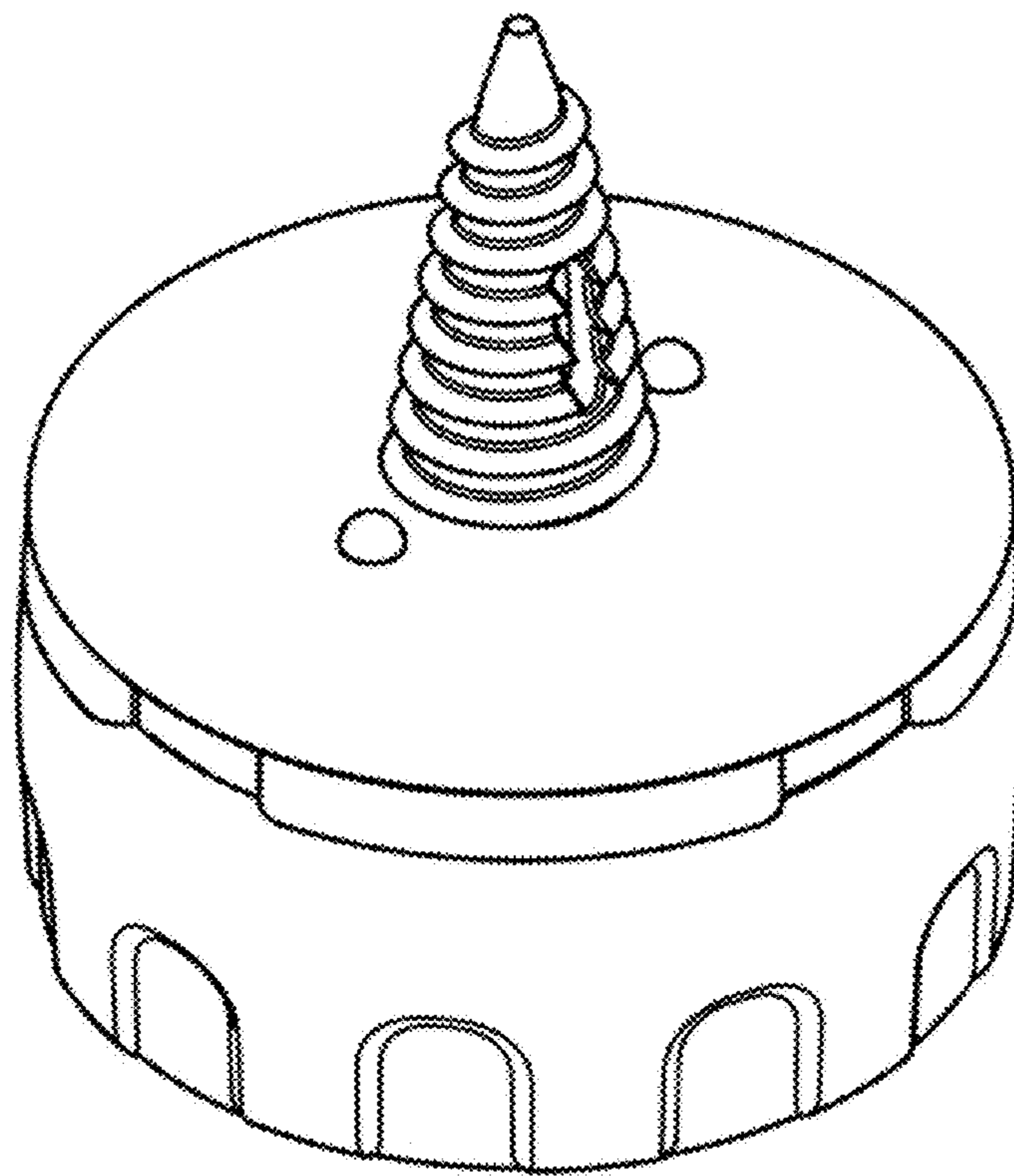


FIG. 2

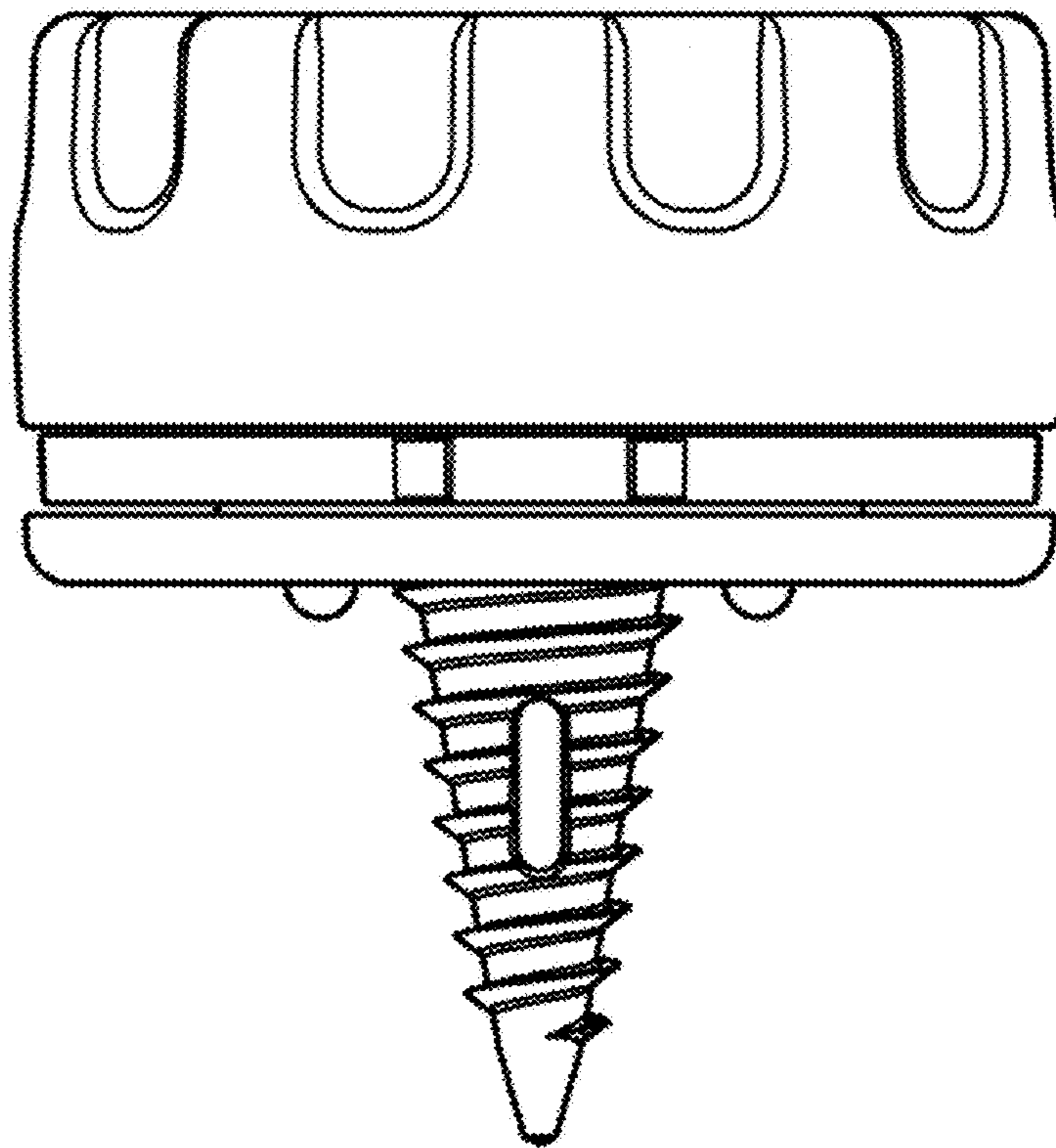


FIG. 3

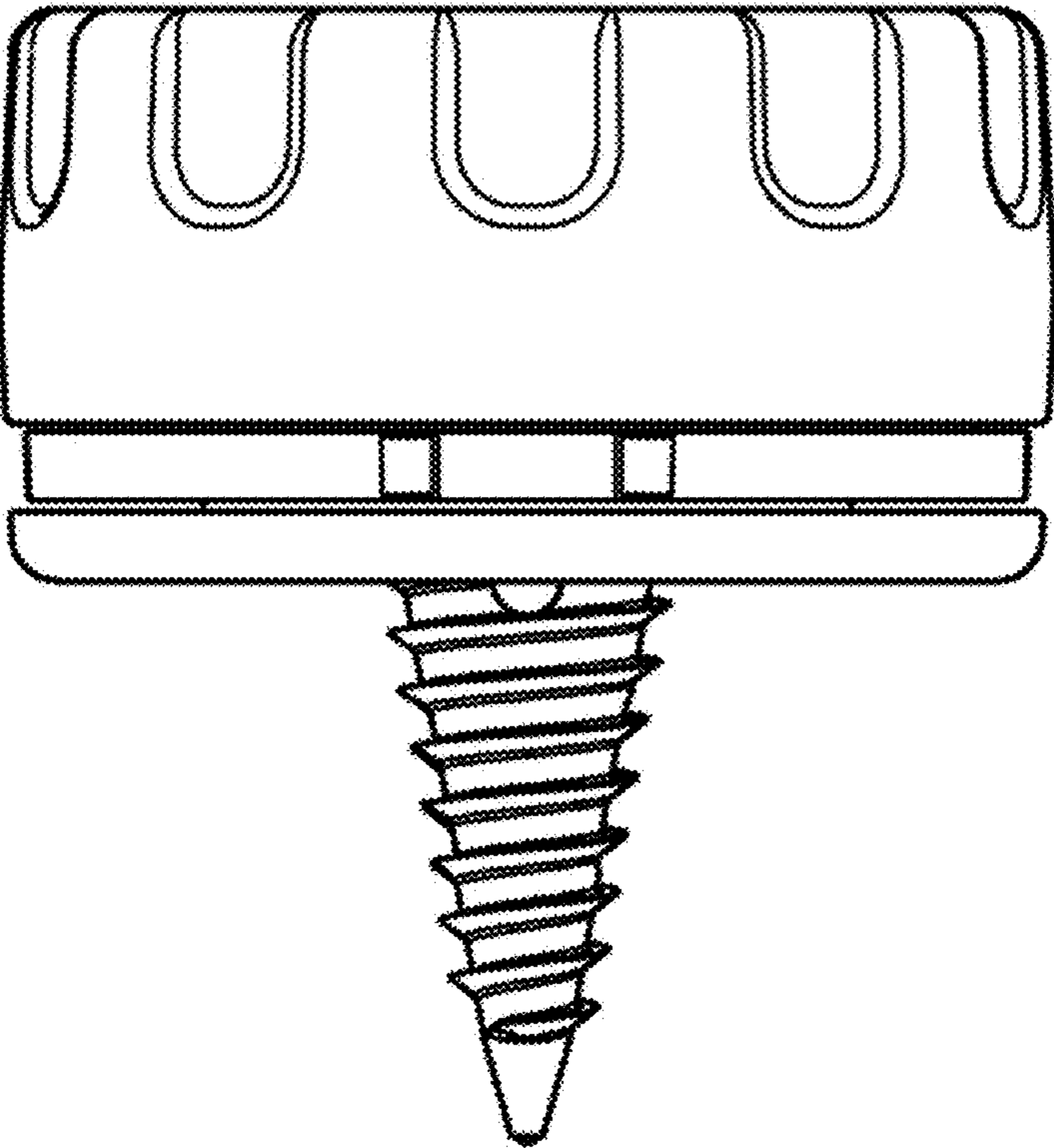


FIG. 4

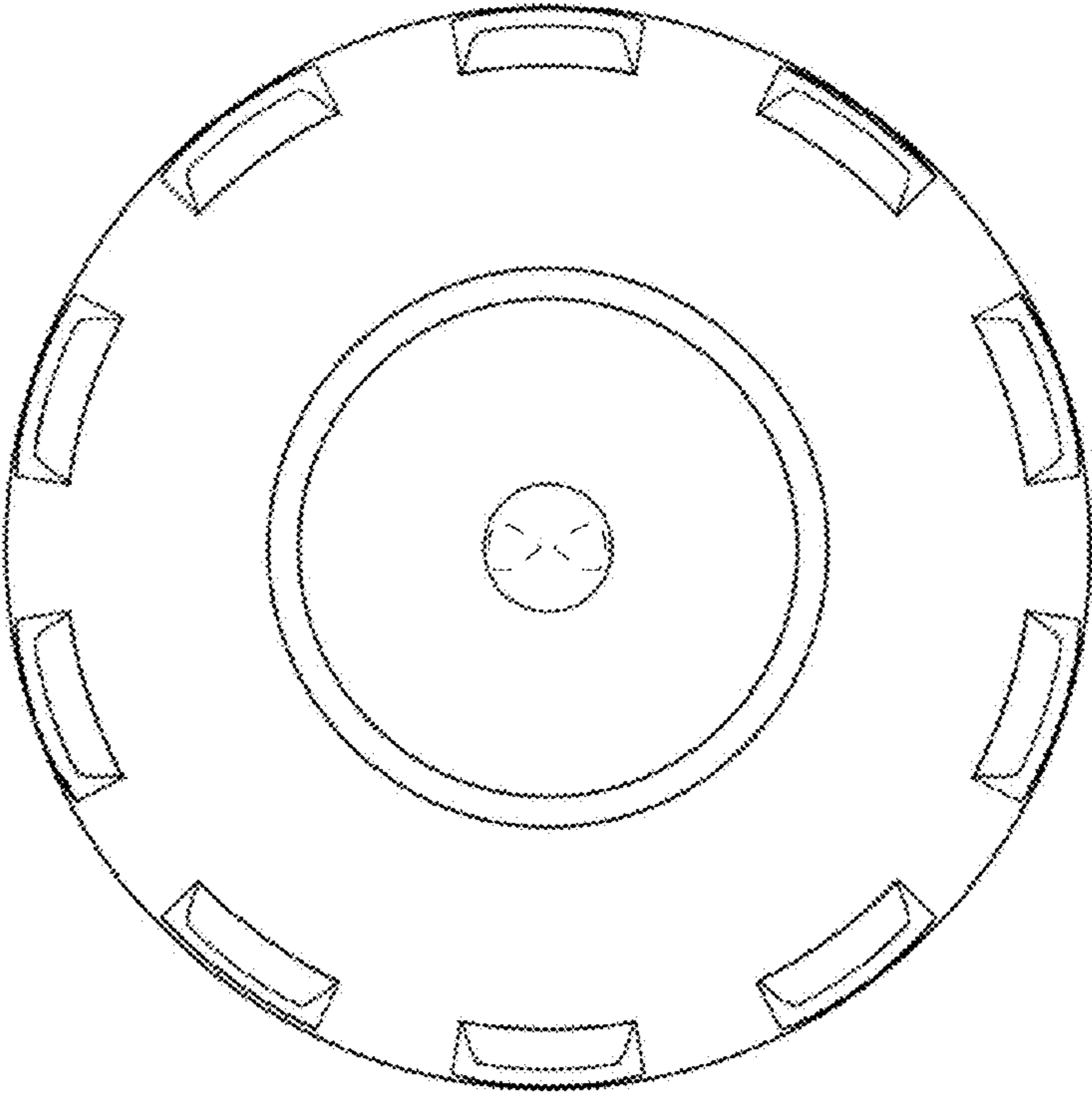


FIG. 5

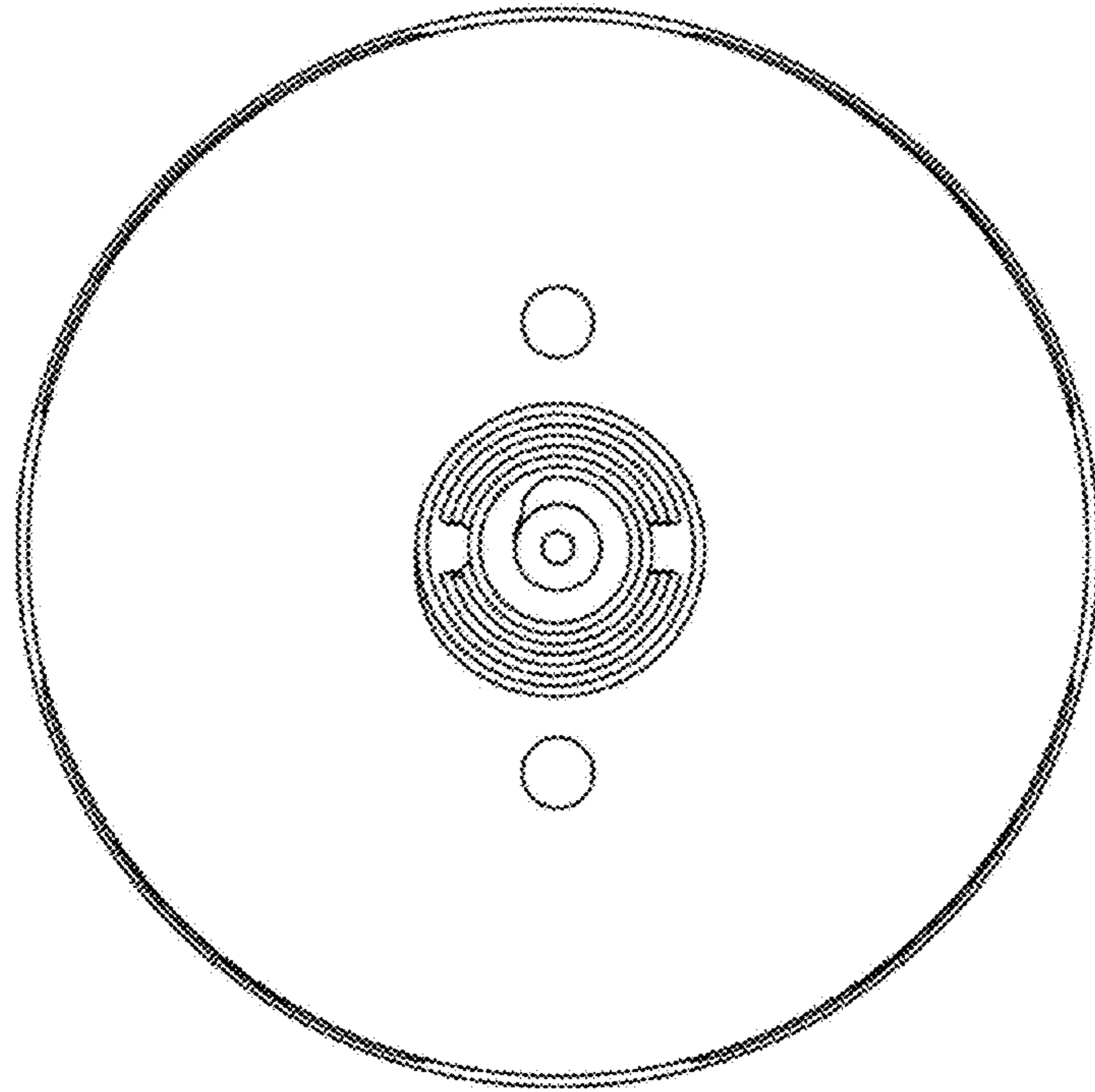


FIG. 6

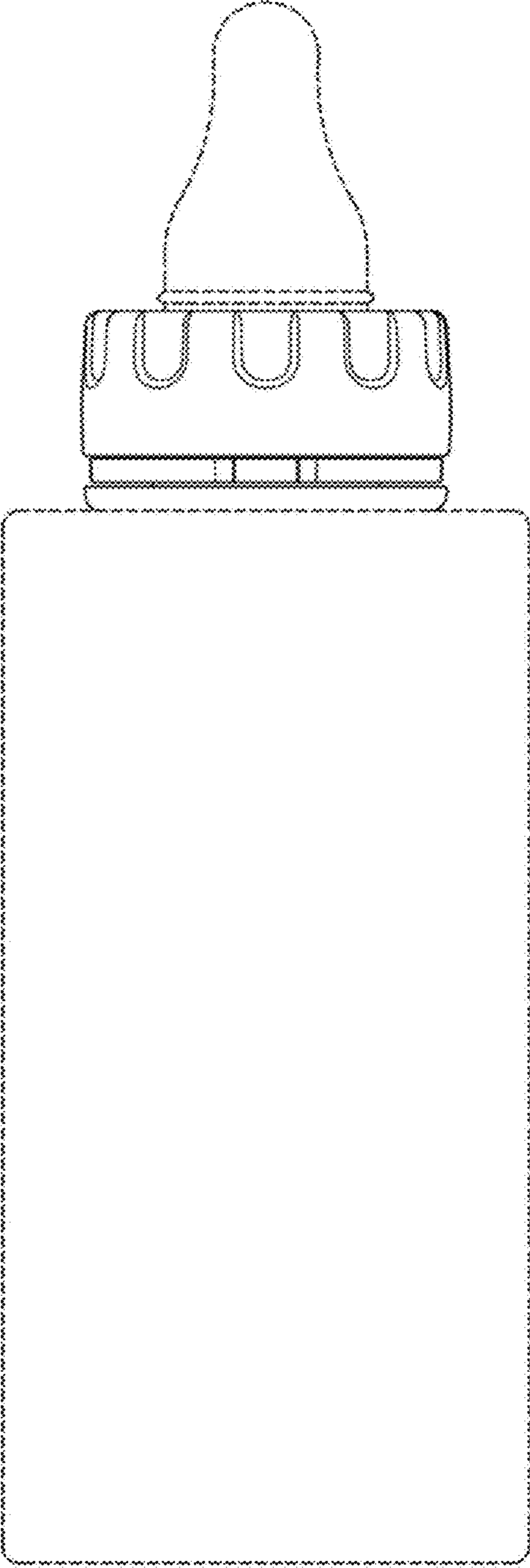


FIG. 7