



US00D715948S

(12) **United States Design Patent**
Peuker et al.

(10) **Patent No.:** **US D715,948 S**
(45) **Date of Patent:** **** Oct. 21, 2014**

(54) **DENTAL INSTRUMENT**

(71) Applicant: **3M Innovative Properties Company**,
St. Paul, MN (US)

(72) Inventors: **Marc Peuker**, Schöndorf (DE); **Helmut Pauser**, Diessen (DE); **Stefan Eckstein**,
Munich (DE)

(73) Assignee: **3M Innovative Properties Company**,
St. Paul, MN (US)

(**) Term: **14 Years**

(21) Appl. No.: **29/458,149**

(22) Filed: **Jun. 17, 2013**

(30) **Foreign Application Priority Data**

Dec. 18, 2012 (EM) 1355044

(51) **LOC (10) Cl.** **24-02**

(52) **U.S. Cl.**
USPC **D24/176**

(58) **Field of Classification Search**
USPC D24/152, 155-156, 176-182, 112, 221;
D9/696; 433/80, 89-90; 206/63.5, 219,
206/368, 524.6

See application file for complete search history.

(56) **References Cited**

U.S. PATENT DOCUMENTS

D307,051 S * 4/1990 Denny et al. D24/221
D315,956 S * 4/1991 Dragan D24/112

5,100,320 A * 3/1992 Martin et al. 433/90
5,624,260 A * 4/1997 Wilcox et al. 433/90
5,848,894 A * 12/1998 Rogers 433/90
2005/0056970 A1 * 3/2005 Foust 264/482
2006/0286503 A1 * 12/2006 Mark 433/90
2014/0106299 A1 * 4/2014 Walter et al. 433/90

* cited by examiner

Primary Examiner — Wan Laymon

(57) **CLAIM**

The ornamental design for a dental instrument, as shown and described.

DESCRIPTION

FIG. 1 is a perspective view of one embodiment of a new design for a dental instrument.

FIG. 2 is a front view thereof;

FIG. 3 is a right side view thereof;

FIG. 4 is a left side view thereof;

FIG. 5 is a rear view thereof;

FIG. 6 is a bottom view thereof; and

FIG. 7 is a top view thereof.

FIG. 8 is a perspective view of another embodiment of a new design for a dental instrument.

FIG. 9 is a front view thereof;

FIG. 10 is a right side view thereof;

FIG. 11 is a left side view thereof;

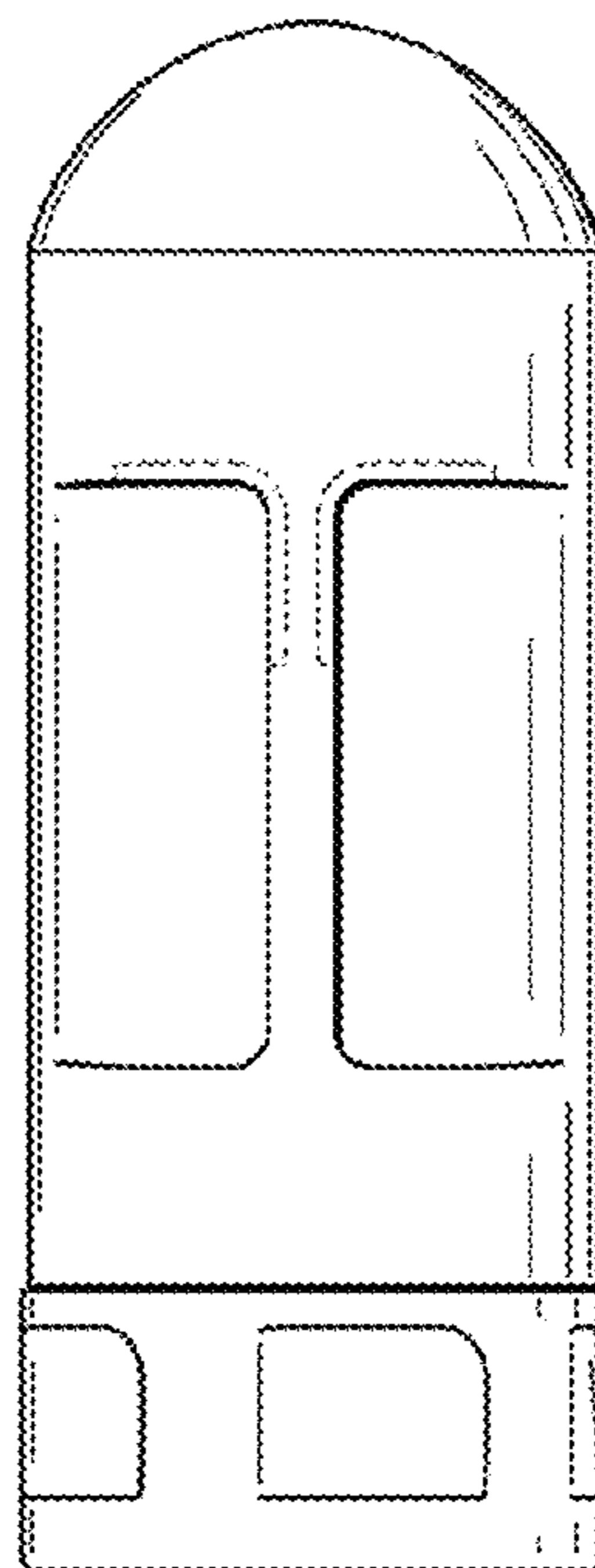
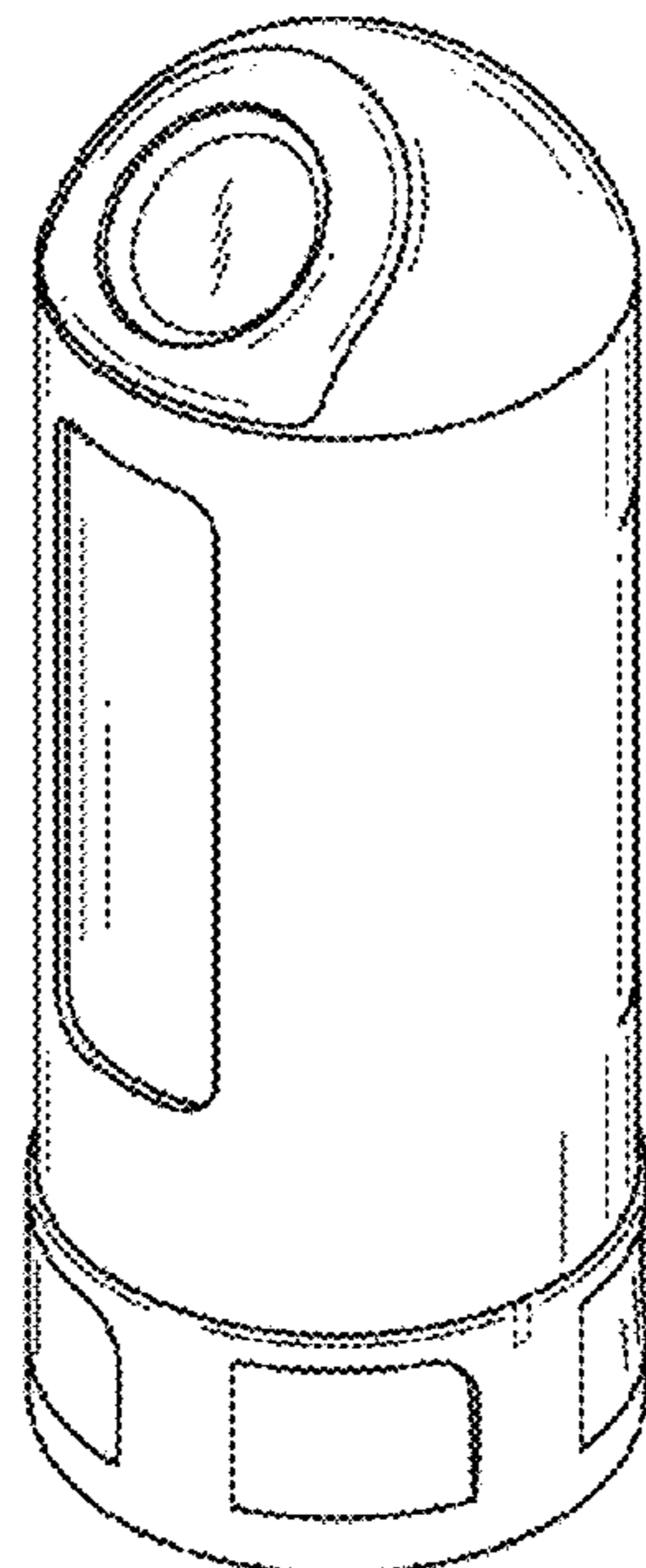
FIG. 12 is a rear view thereof;

FIG. 13 is a bottom view thereof; and,

FIG. 14 is a top view thereof.

The broken lines shown in the figures represent portions of the dental instrument that form no part of the claimed design.

1 Claim, 4 Drawing Sheets



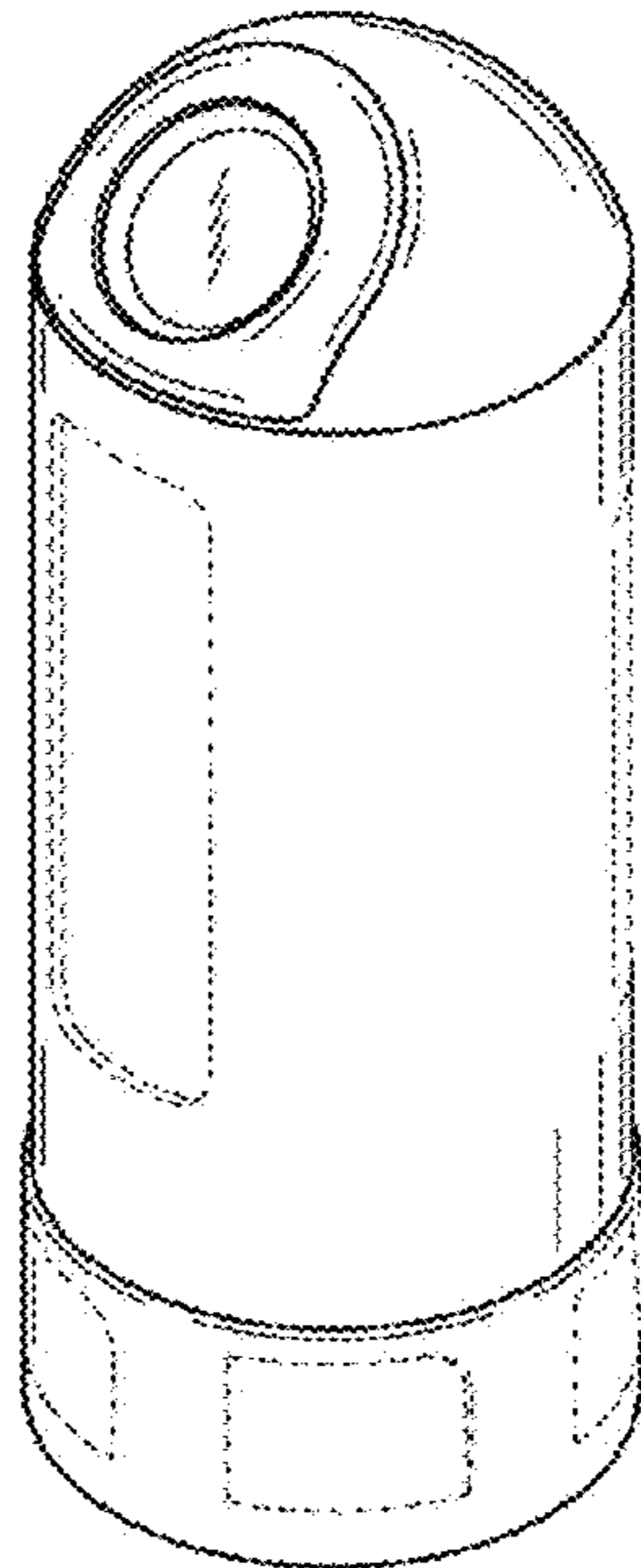


FIG. 1

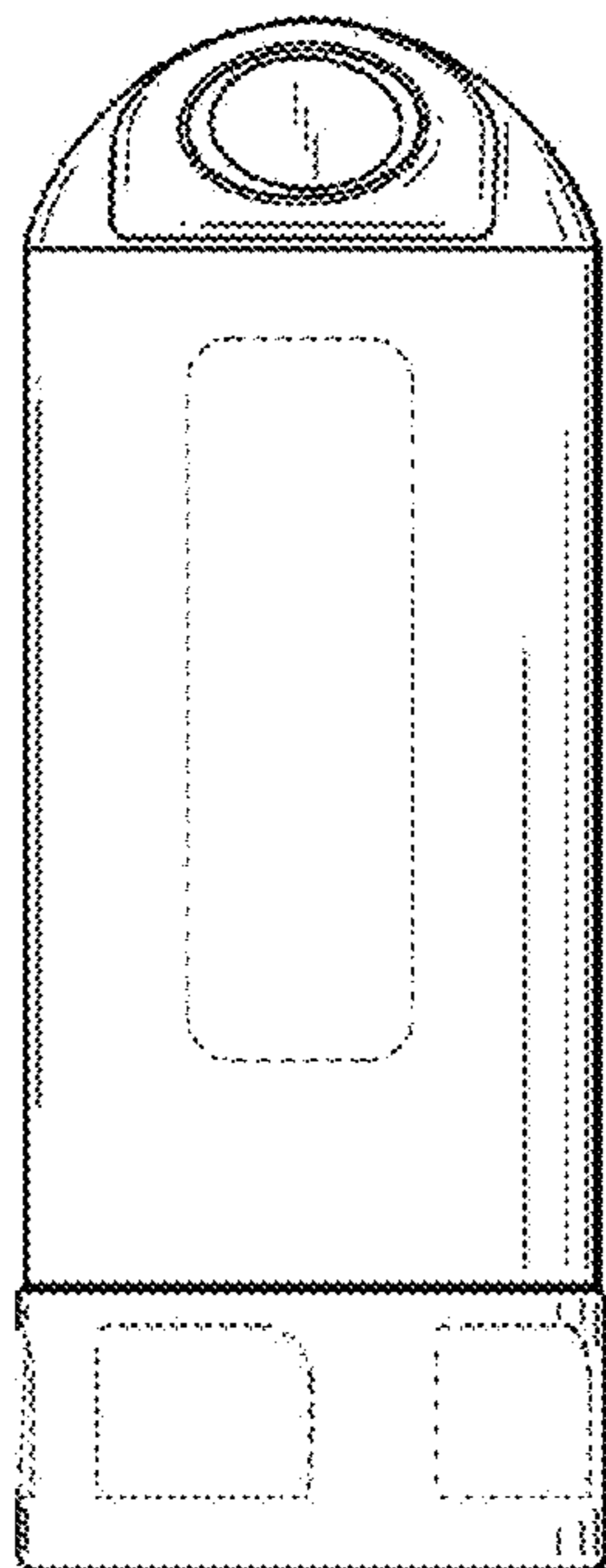


FIG. 2

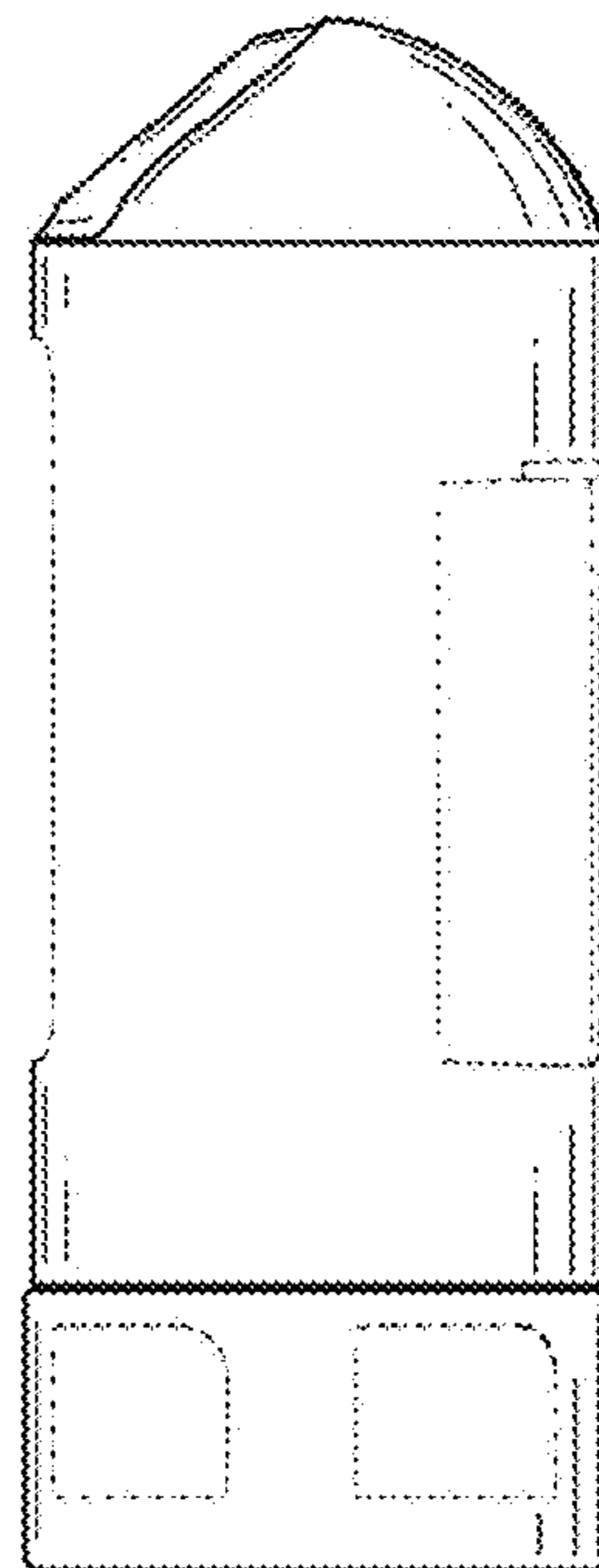


FIG. 3

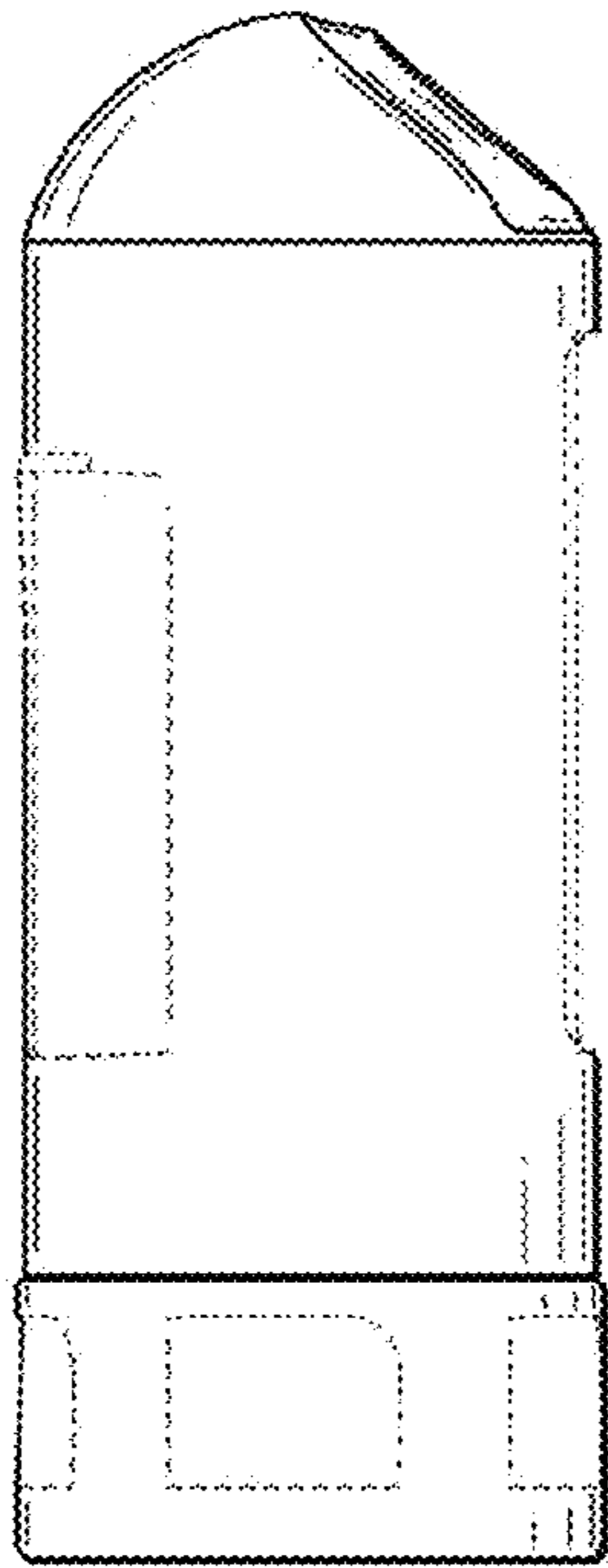


FIG. 4

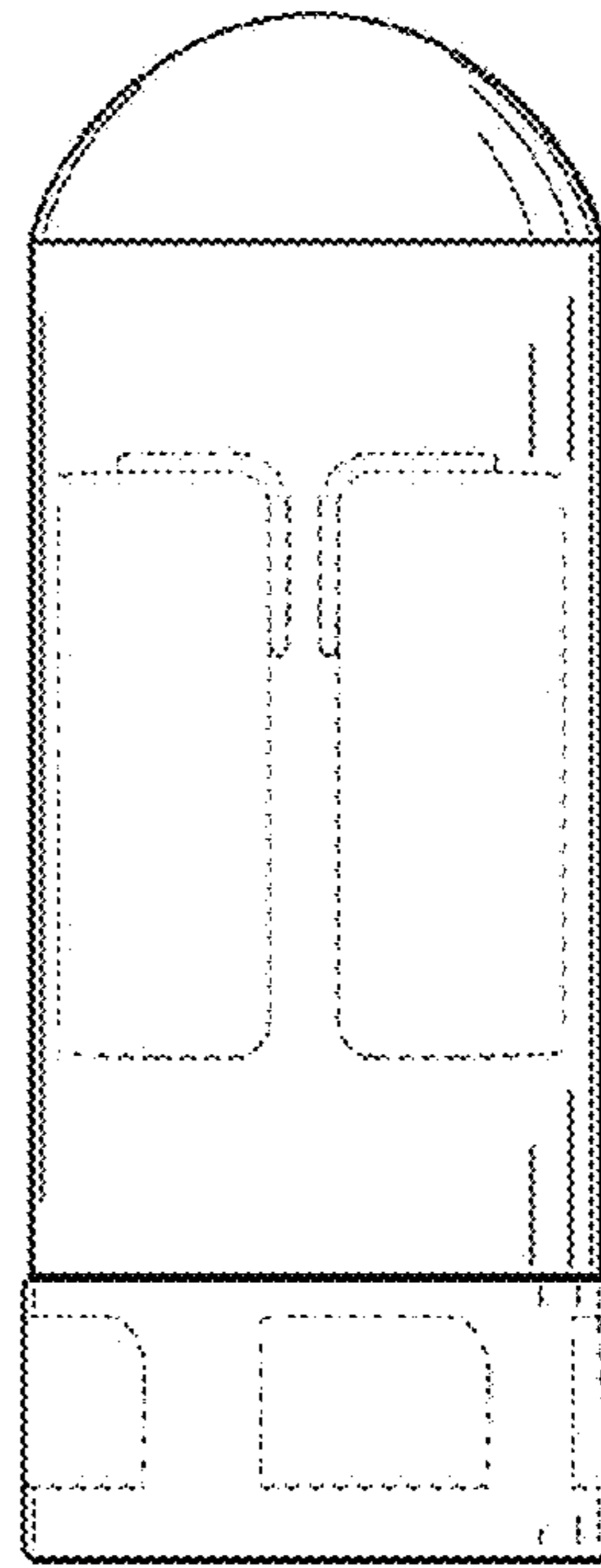


FIG. 5

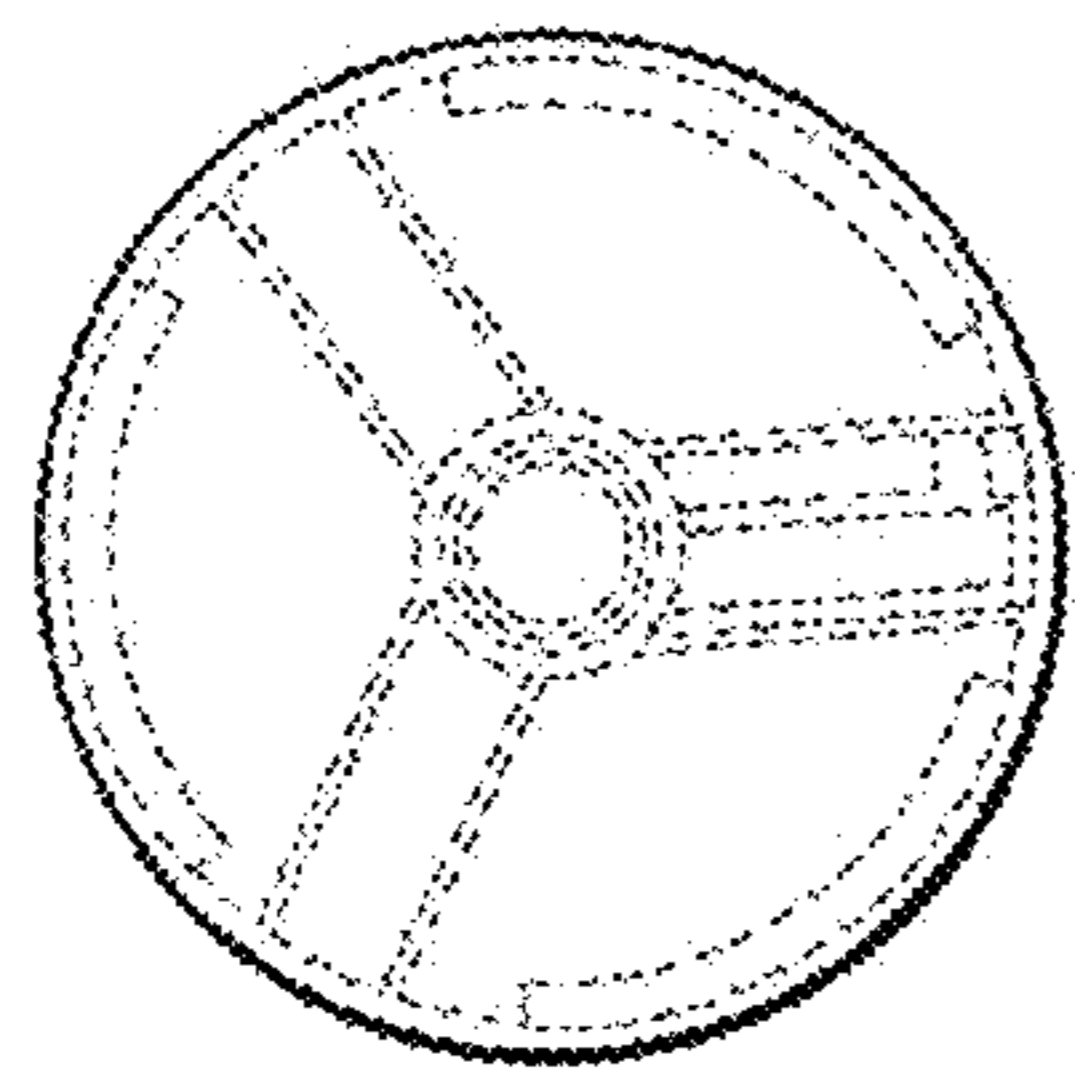


FIG. 6

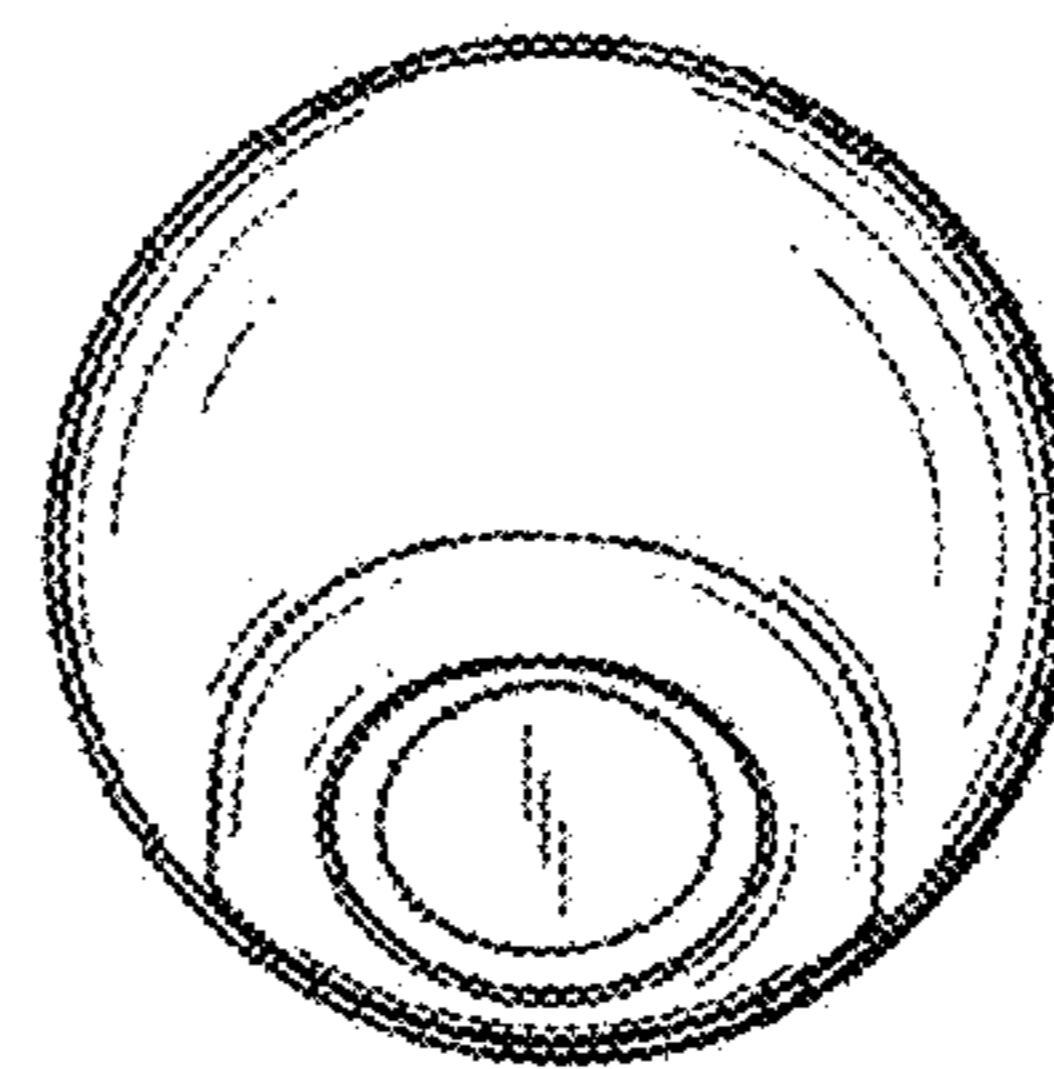


FIG. 7

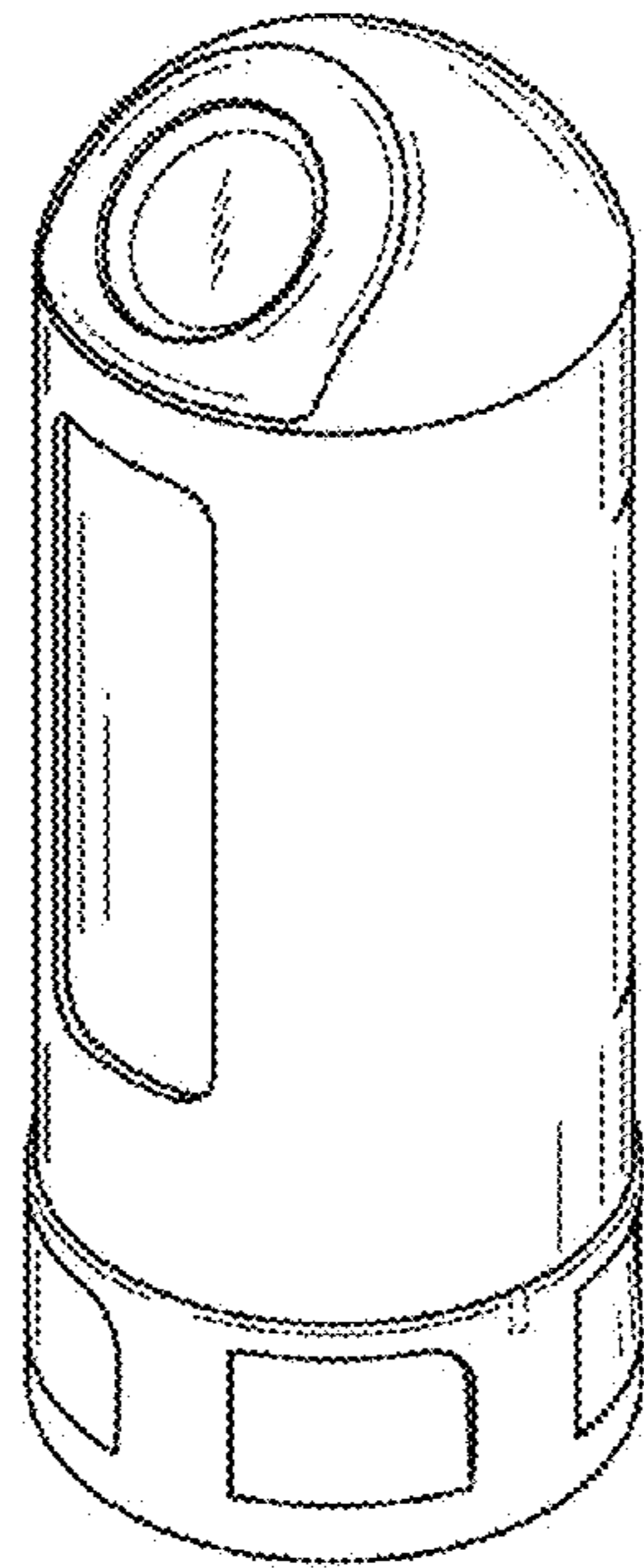


FIG. 8

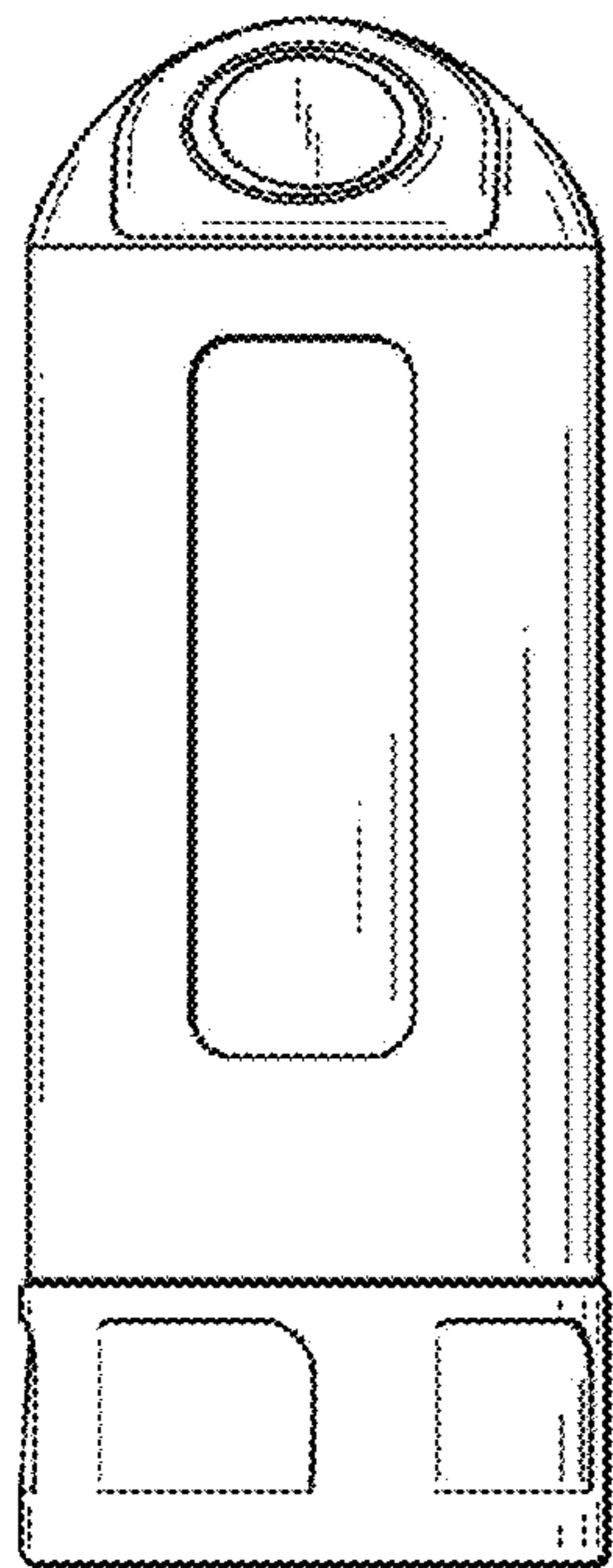


FIG. 9

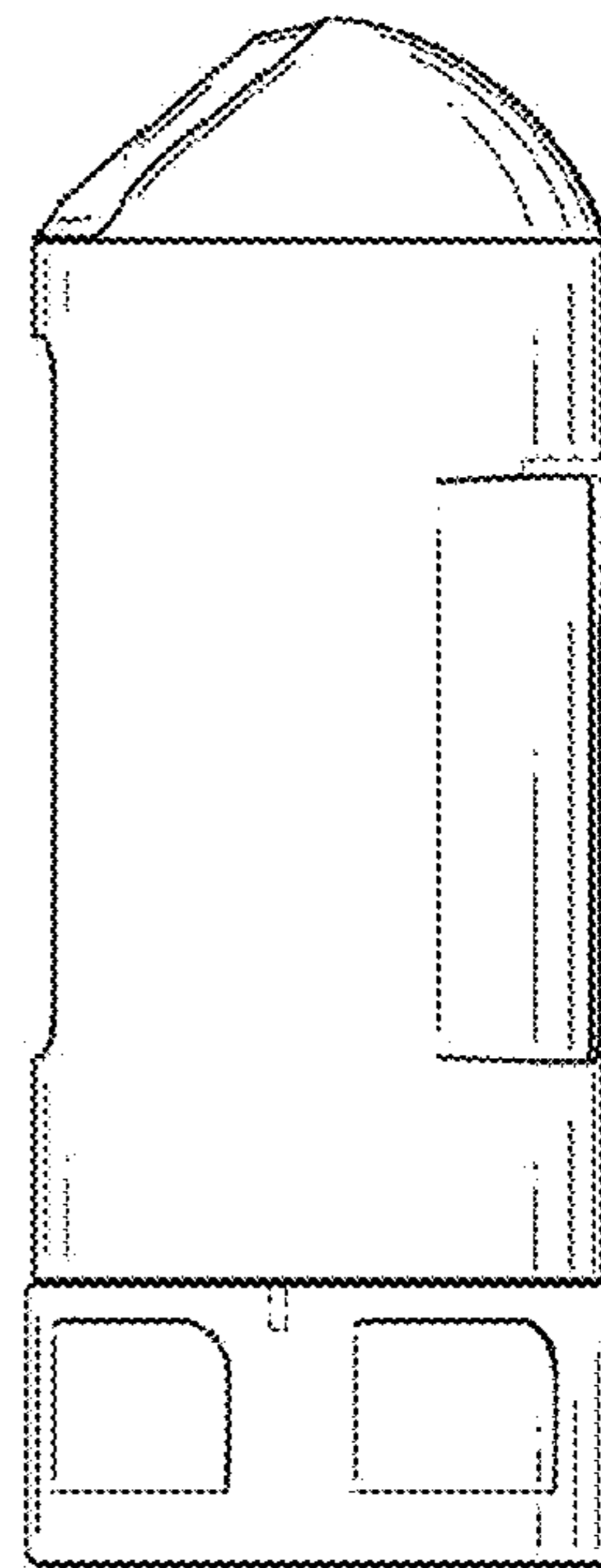


FIG. 10

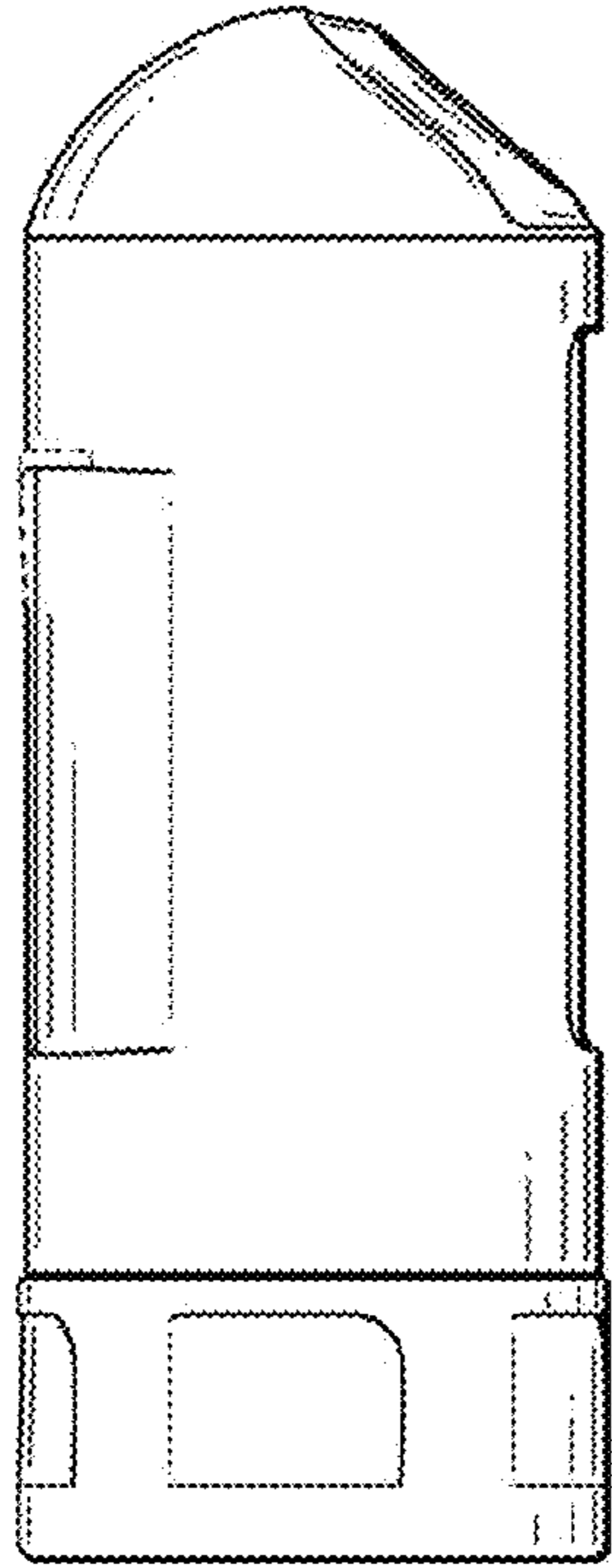


FIG. 11

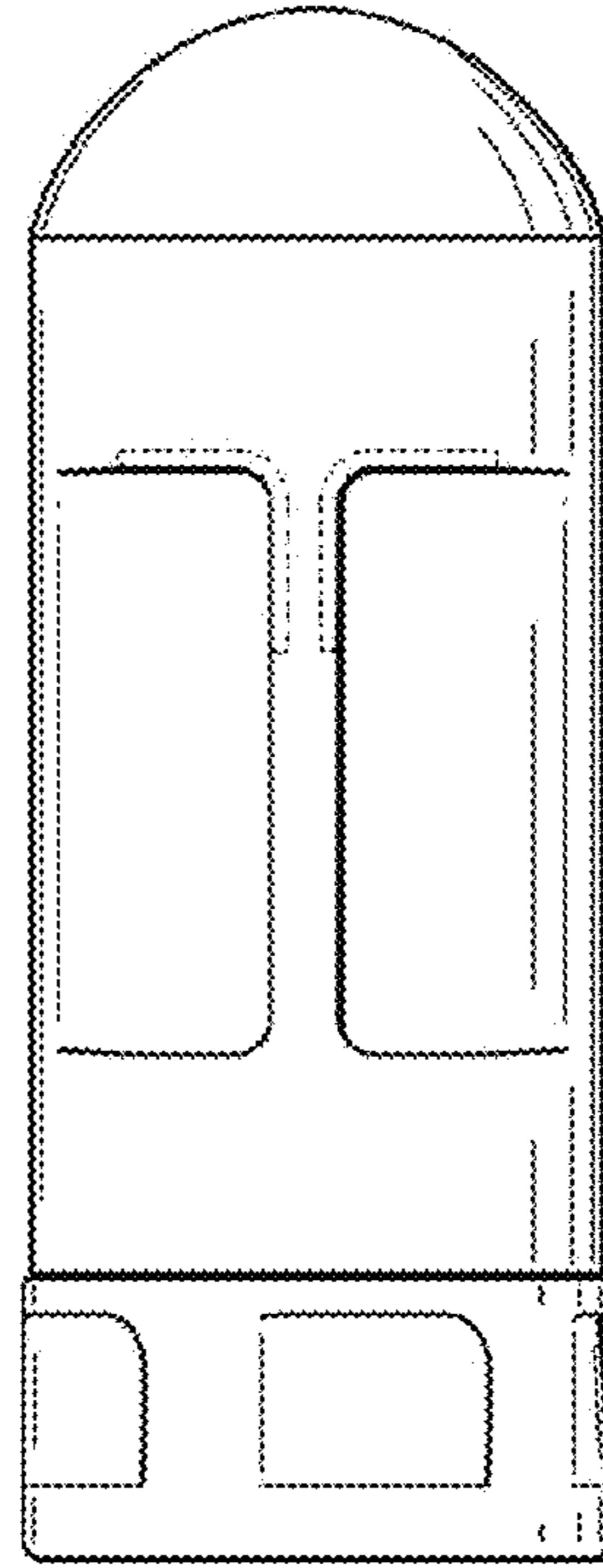


FIG. 12

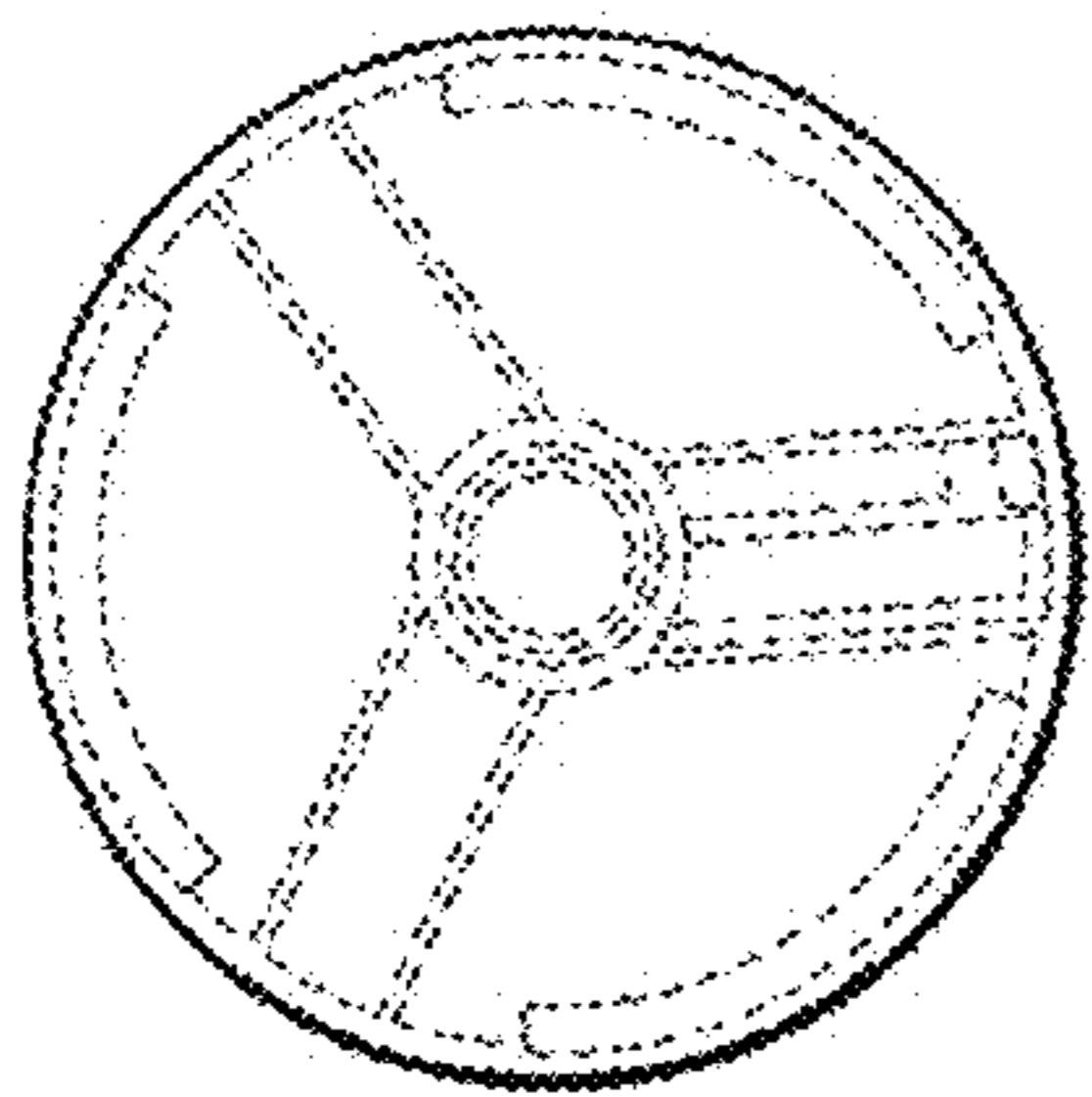


FIG. 13

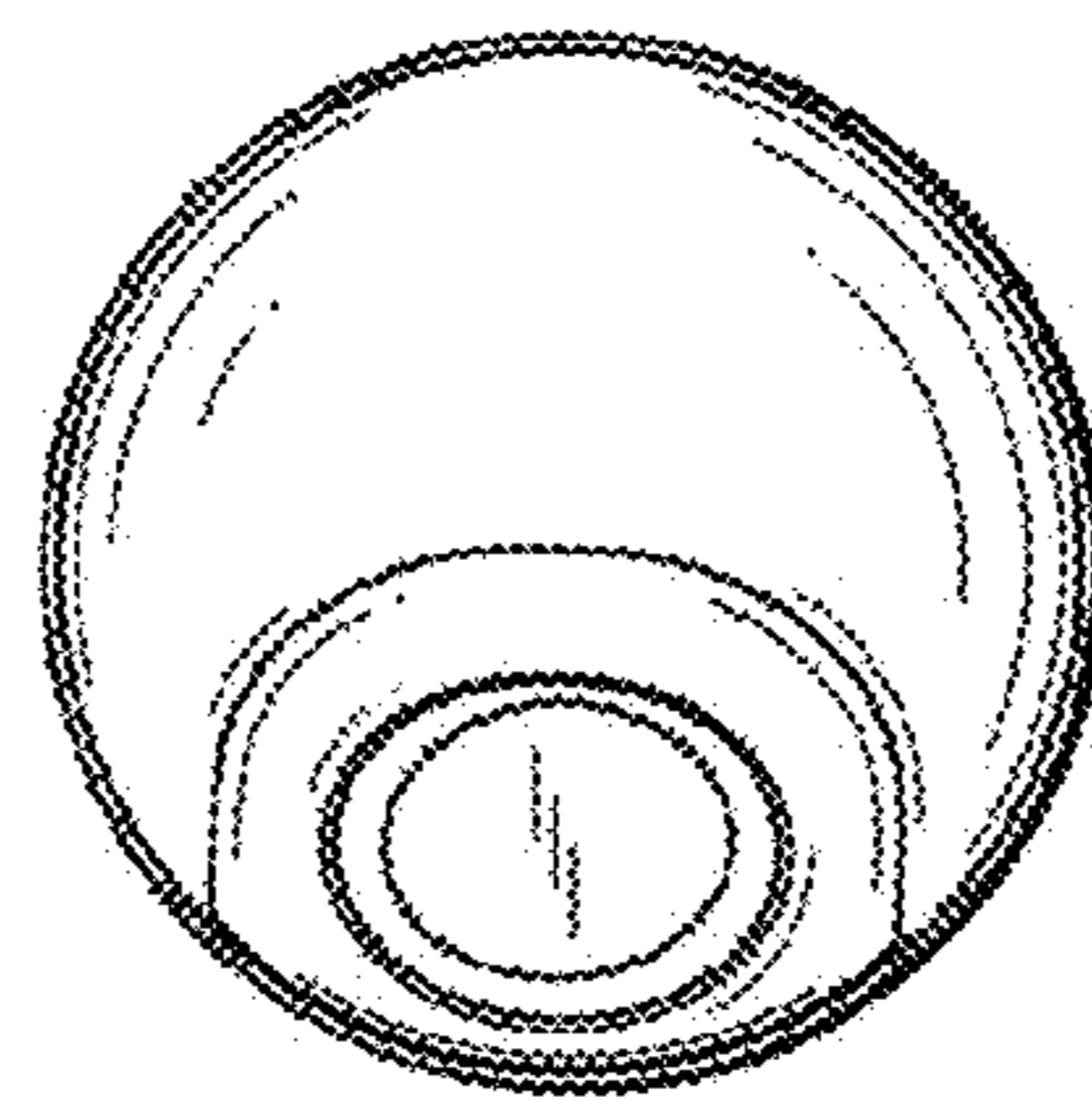


FIG. 14