



US00D715947S

(12) **United States Design Patent**  
**Maris et al.**

(10) **Patent No.:** **US D715,947 S**  
(45) **Date of Patent:** **\*\* Oct. 21, 2014**

(54) **COMPRESSION DEVICE**  
(71) Applicants: **Nick J. Maris**, Germantown, WI (US);  
**James S. Miller**, Germantown, WI (US);  
**Reza Shaker**, Brookfield, WI (US);  
**Timothy Bachman**, St. Paul, MN (US);  
**Nathan Schlueter**, Bloomington, MN (US)

5,483,974 A 1/1996 Crangle  
D441,886 S \* 5/2001 Beck ..... D26/39  
7,160,270 B2 \* 1/2007 West et al. .... 604/174  
D618,399 S \* 6/2010 Manzo ..... D29/108  
D636,074 S \* 4/2011 Levine ..... D24/110.5  
D662,586 S \* 6/2012 Coath ..... D24/110  
8,590,538 B2 \* 11/2013 Croll ..... 128/861  
D694,875 S \* 12/2013 D'Souza et al. .... D24/110

(72) Inventors: **Nick J. Maris**, Germantown, WI (US);  
**James S. Miller**, Germantown, WI (US);  
**Reza Shaker**, Brookfield, WI (US);  
**Timothy Bachman**, St. Paul, MN (US);  
**Nathan Schlueter**, Bloomington, MN (US)

FOREIGN PATENT DOCUMENTS  
WO 2011156064 A1 12/2011  
\* cited by examiner  
*Primary Examiner* — Ian Simmons  
*Assistant Examiner* — Rhea Shields  
(74) *Attorney, Agent, or Firm* — Quarles & Brady, LLP

(73) Assignees: **The Medical College of Wisconsin, Inc.**, Milwaukee, WI (US); **Somna Therapeutics, LLC**, Germantown, WI (US)

(57) **CLAIM**  
The ornamental design for a compression device, as shown and described.

(\*\*) Term: **14 Years**

(21) Appl. No.: **29/473,120**

**DESCRIPTION**

(22) Filed: **Nov. 19, 2013**

(51) **LOC (10) Cl.** ..... **24-00**

(52) **U.S. Cl.**  
USPC ..... **D24/171**

(58) **Field of Classification Search**  
USPC ..... D24/171, 170, 199, 108, 110, 110.5,  
D24/121, 128, 129, 191; D29/105, 106,  
D29/108; 604/174; 128/857, 859, 861,  
128/206.29

FIG. 1 is a top, left, front perspective view of an embodiment of a compression device embodying our new design;  
FIG. 2 is a top, right, rear perspective view thereof;  
FIG. 3 is a left side elevational view thereof;  
FIG. 4 is a right side elevational view thereof;  
FIG. 5 is a front elevational view thereof;  
FIG. 6 is a rear elevational view thereof;  
FIG. 7 is a top plan view thereof; and,  
FIG. 8 is a bottom plan view thereof.

See application file for complete search history.

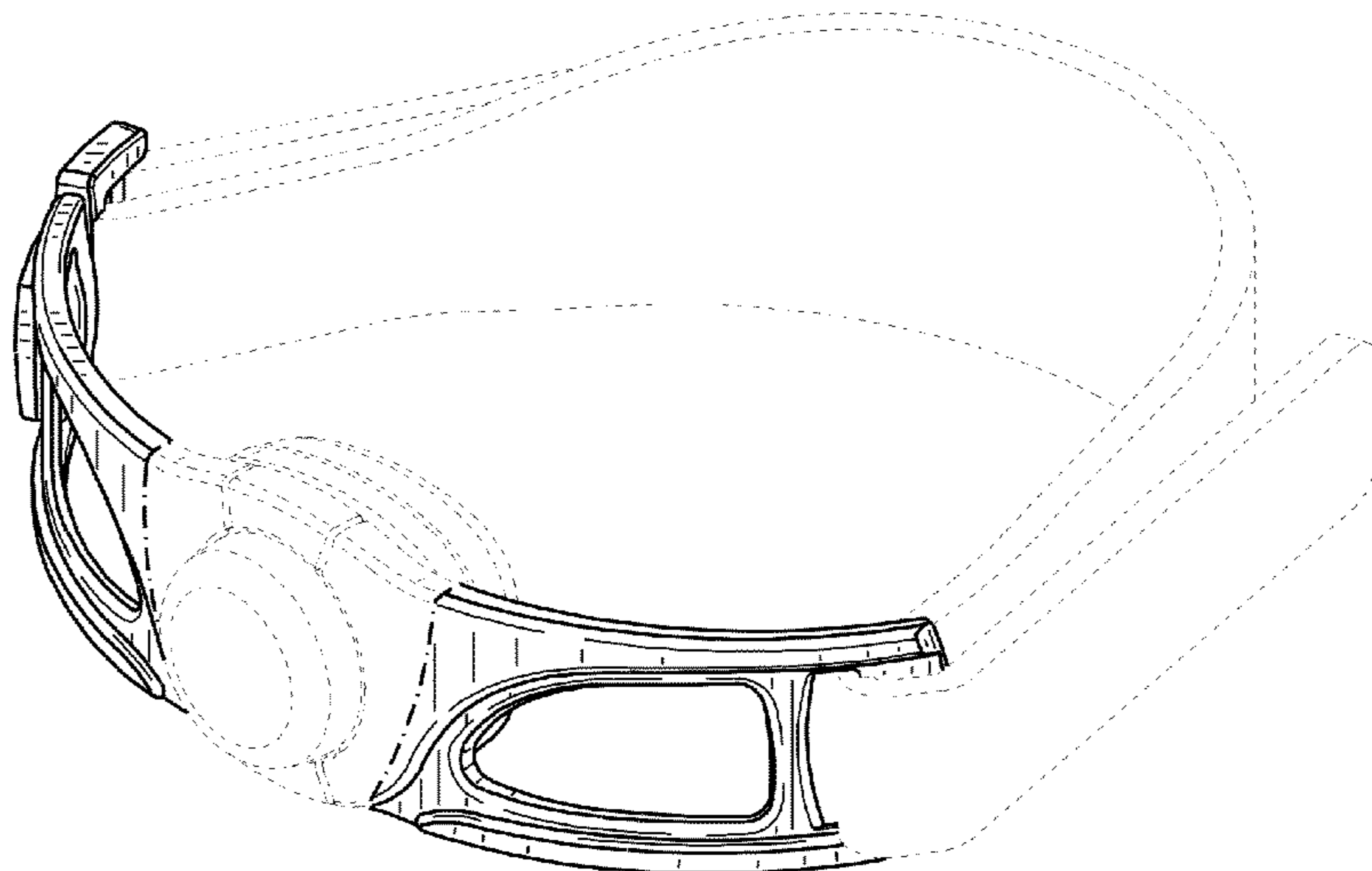
In the drawings, the broken lines depict unclaimed subject matter only and form no part of the claimed design. The dash-dot-dash lines represent the boundaries of the claimed design. The dash-dot-dash lines in the figures illustrate the portions of the design that form no part of the claim.

(56) **References Cited**

U.S. PATENT DOCUMENTS

D283,158 S \* 3/1986 Jackson ..... D24/176

**1 Claim, 5 Drawing Sheets**



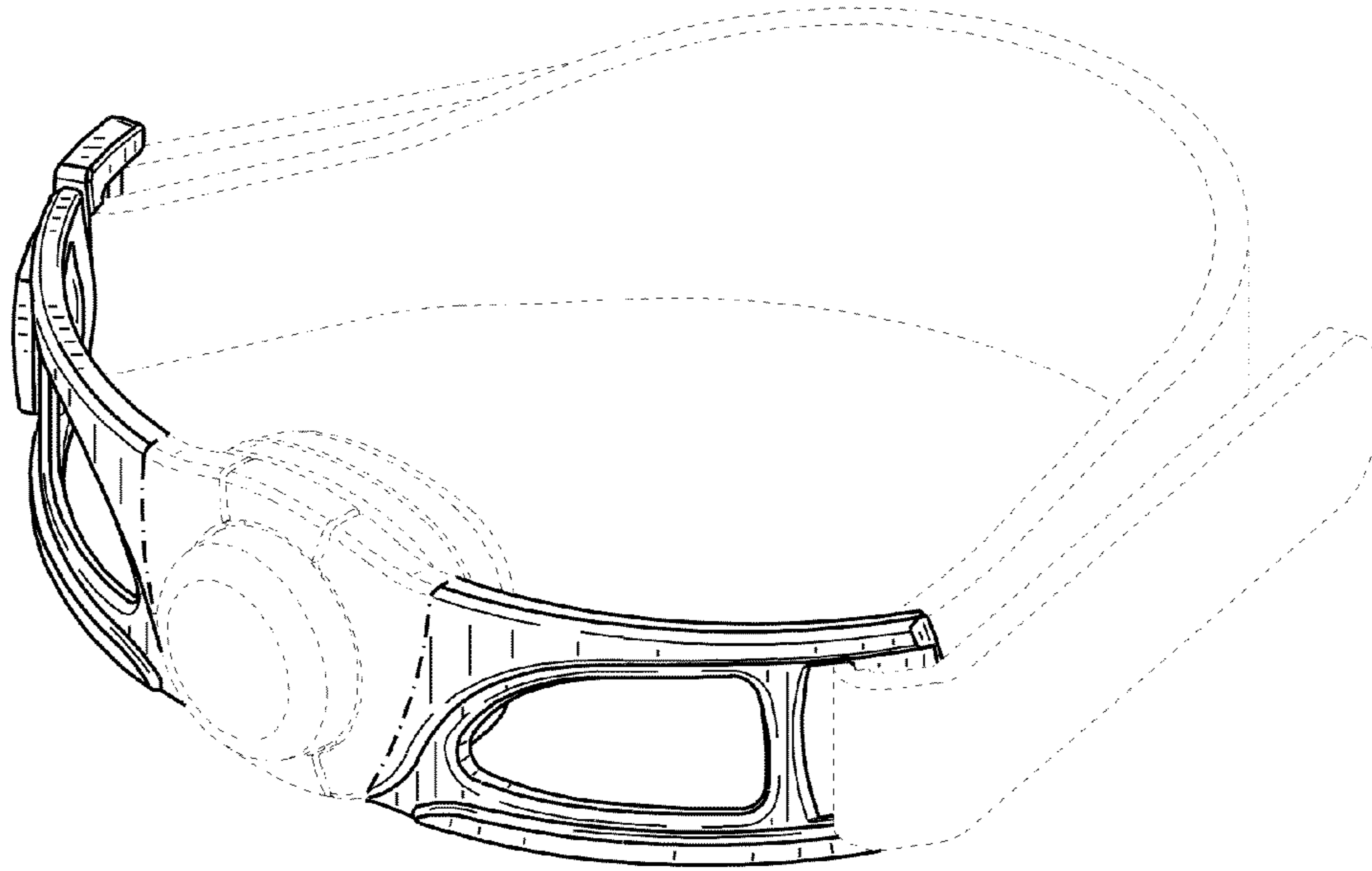
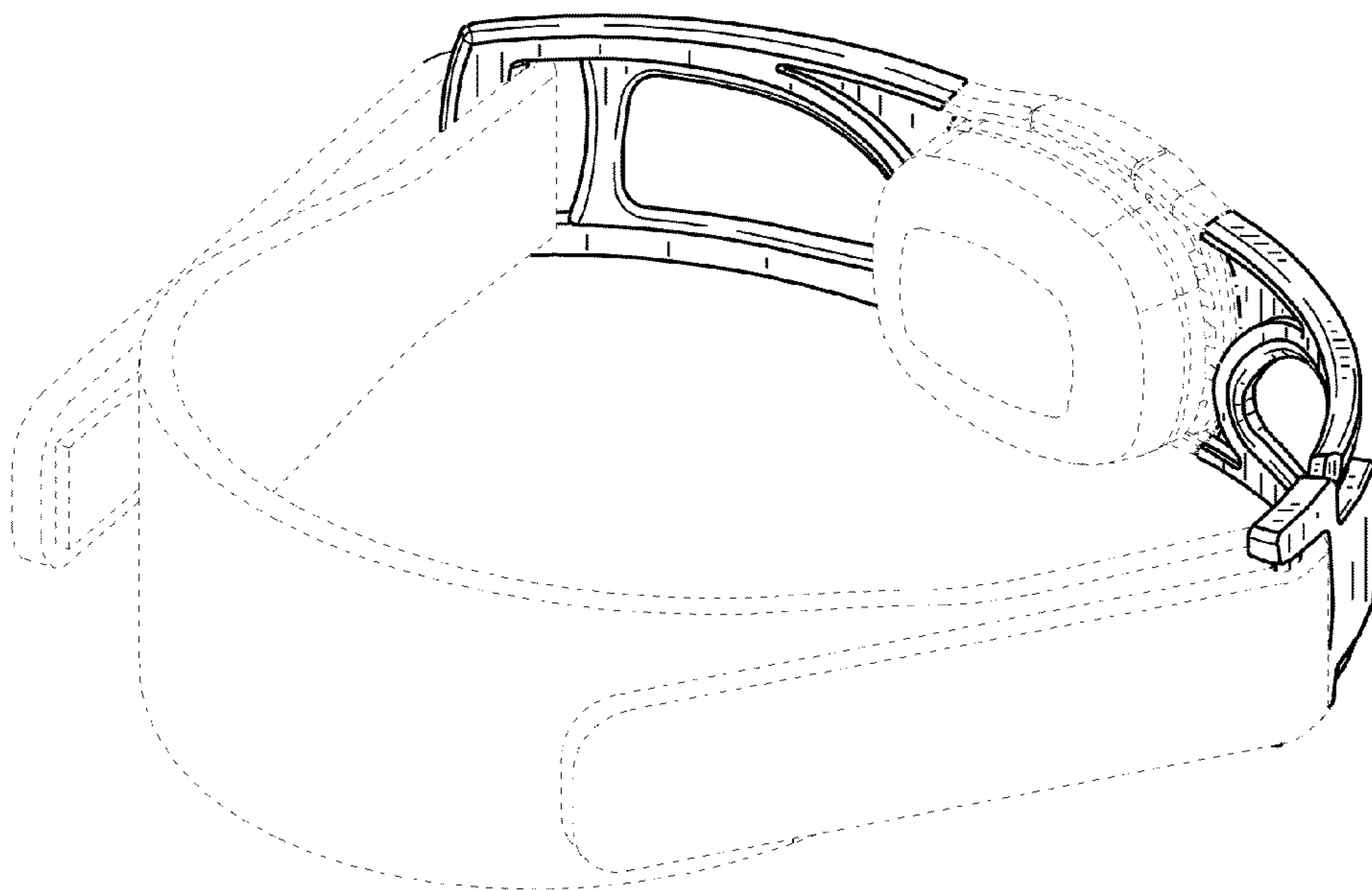


FIG. 1

FIG. 2



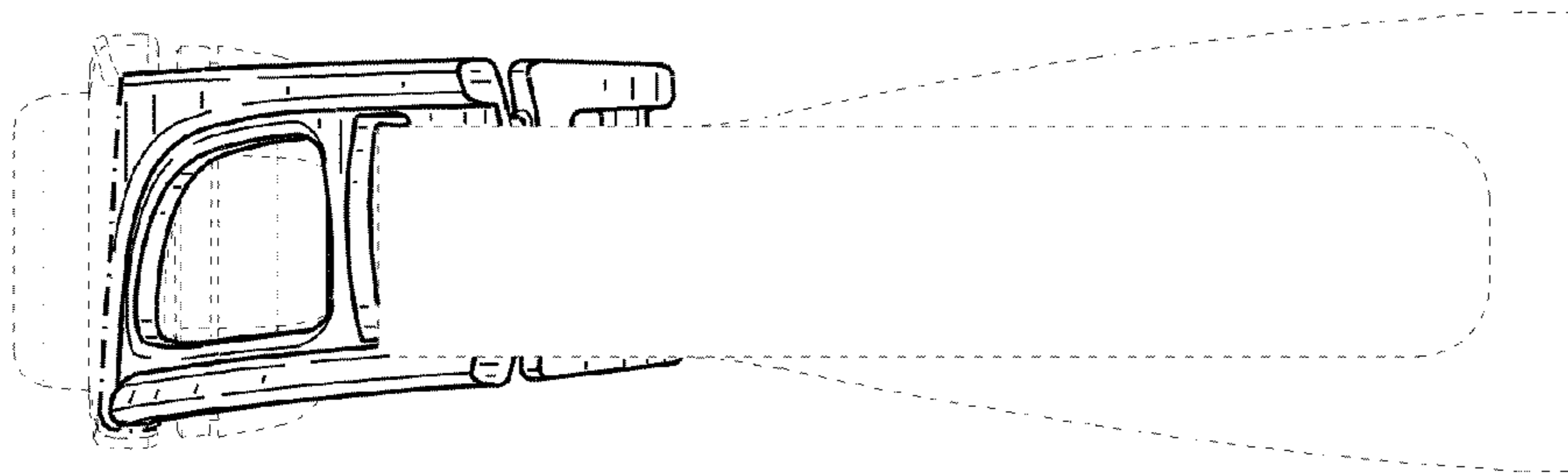


FIG. 3

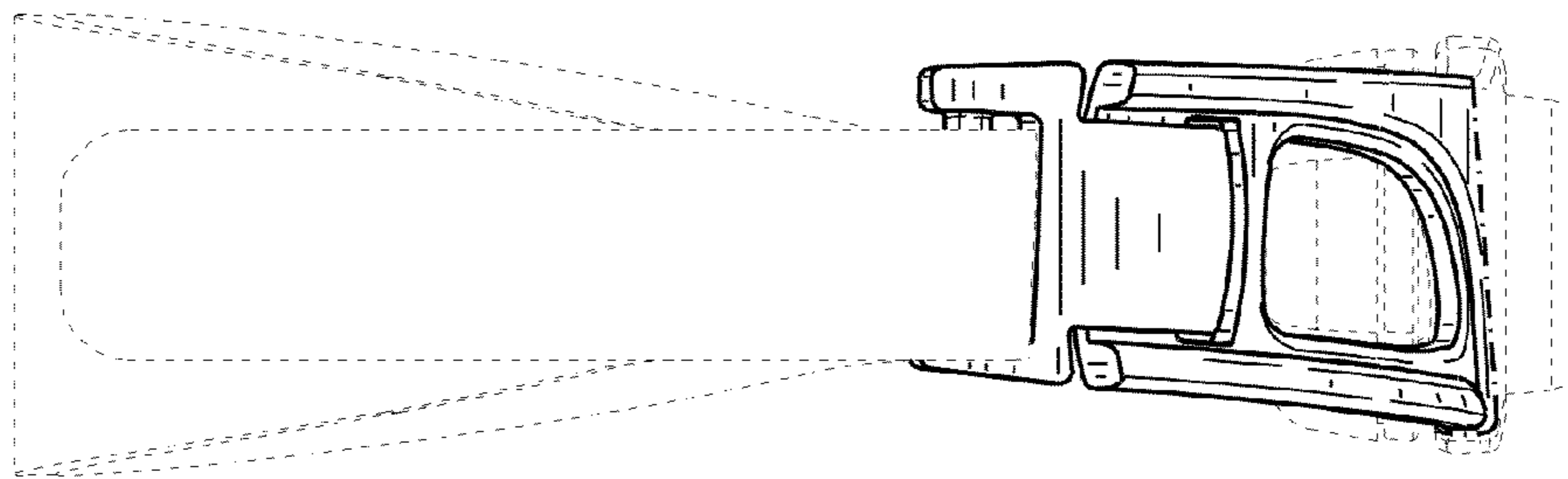


FIG. 4

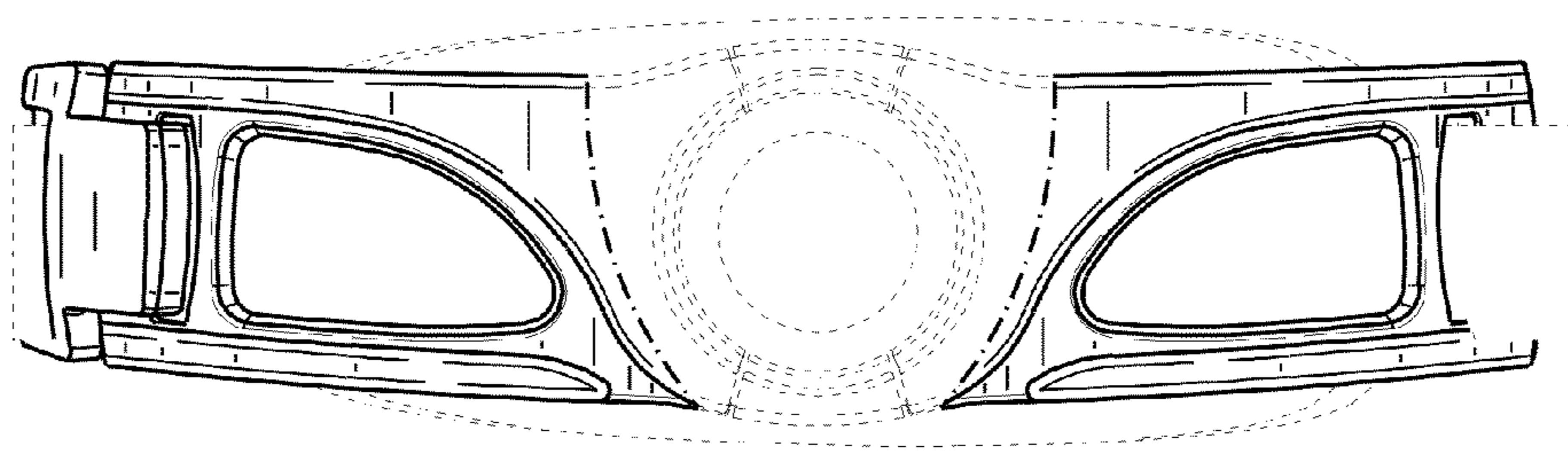


FIG. 5

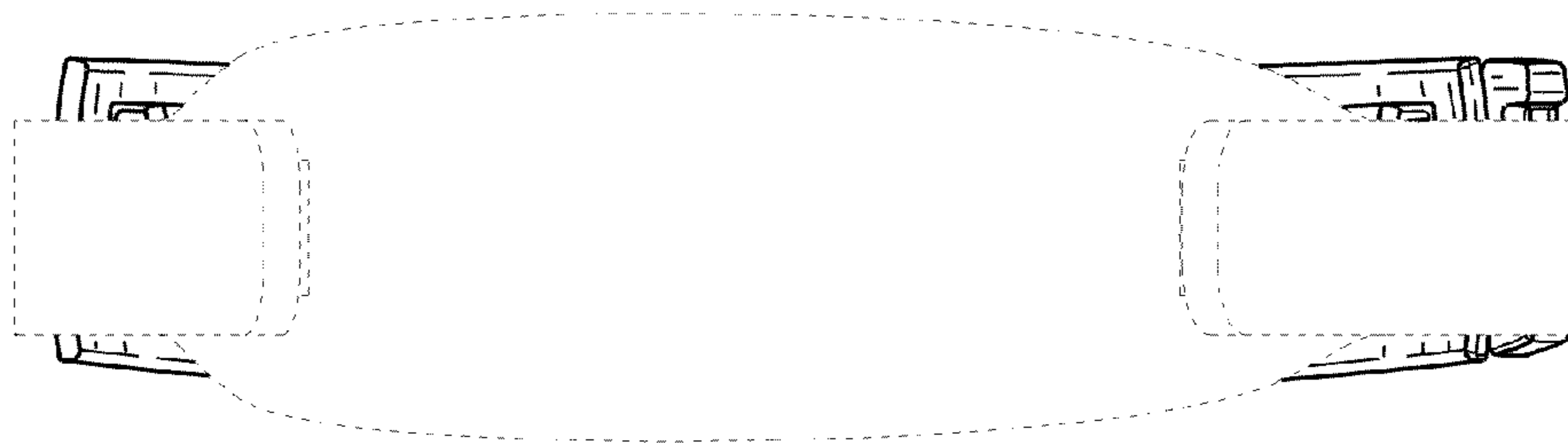


FIG. 6

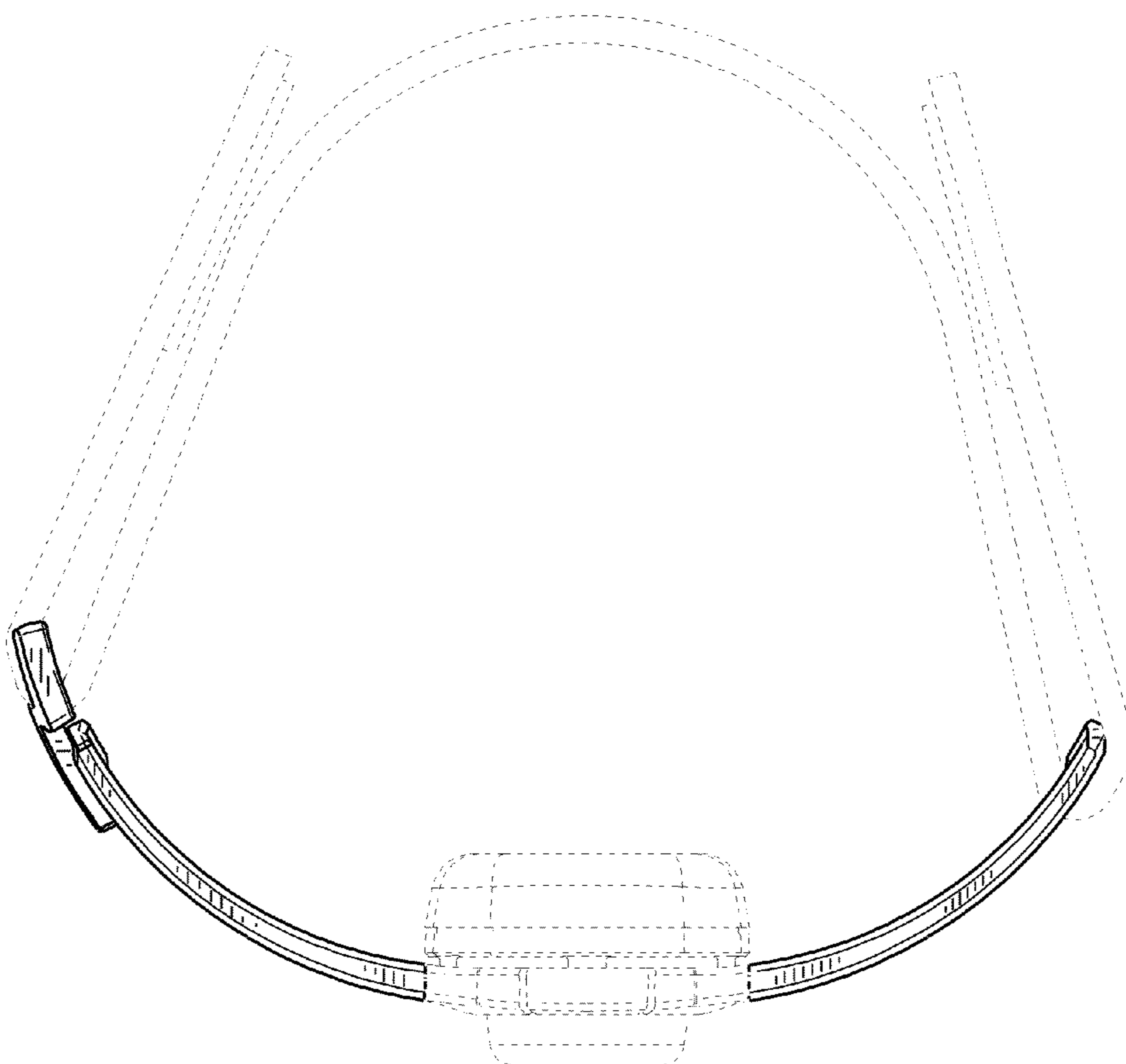


FIG. 7

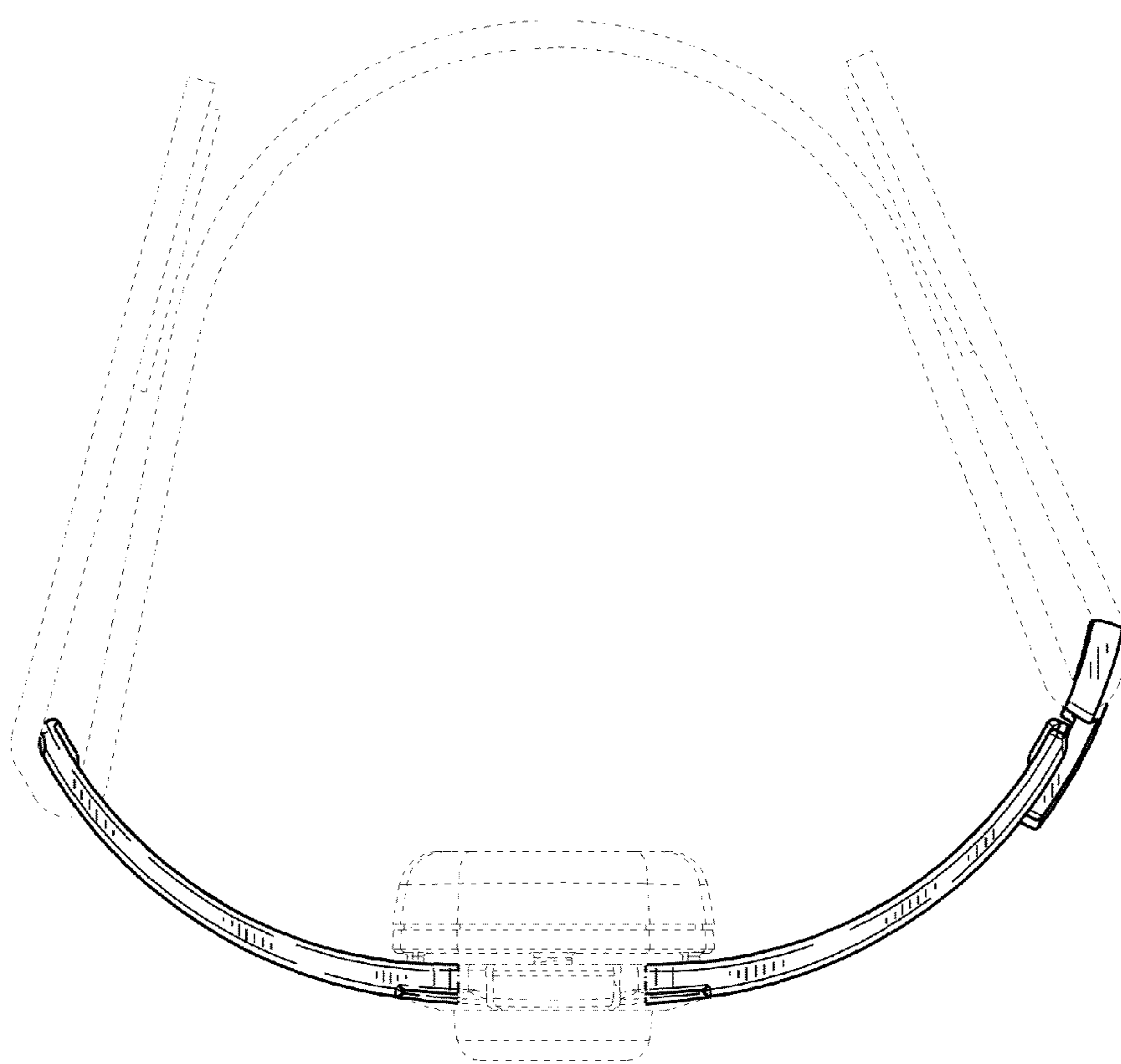


FIG. 8