

US00D715946S

(12) **United States Design Patent**
Yoshida et al.

(10) **Patent No.:** **US D715,946 S**
(45) **Date of Patent:** **** Oct. 21, 2014**

- (54) **GAS FEEDER FOR ENDOSCOPE**
- (71) Applicant: **FUJIFILM Corporation**, Tokyo (JP)
- (72) Inventors: **Koji Yoshida**, Ashigarakami-gun (JP);
Kunihiko Tanaka, Ashigarakami-gun (JP)
- (73) Assignee: **FUJIFILM Corporated**, Tokyo (JP)
- (**) Term: **14 Years**
- (21) Appl. No.: **29/485,507**
- (22) Filed: **Mar. 19, 2014**

D605,625 S	12/2009	Skurdal	
D609,197 S *	2/2010	Koskela et al.	D13/168
D618,355 S *	6/2010	Delaey	D24/185
D621,515 S	8/2010	Chua et al.	
D628,979 S	12/2010	Yagi	
D659,671 S	5/2012	Andre et al.	
D669,993 S *	10/2012	Merchant et al.	D24/170
D671,930 S	12/2012	Akana et al.	
D676,136 S *	2/2013	Arimitsu	D24/186
D680,972 S *	4/2013	Hunter et al.	D13/168
D681,617 S	5/2013	Weller et al.	
D683,339 S *	5/2013	Weller et al.	D14/250
D686,323 S *	7/2013	Alvi et al.	D24/139
D687,146 S *	7/2013	Juzkiw et al.	D24/170
D695,405 S *	12/2013	Moon et al.	D24/158
D699,844 S *	2/2014	Yoshida et al.	D24/138
D704,839 S *	5/2014	Juzkiw et al.	D24/170
2008/0150367 A1	6/2008	Oh et al.	
2012/0113572 A1	5/2012	Gaddis, II et al.	

Related U.S. Application Data

- (63) Continuation of application No. 29/440,007, filed on Dec. 18, 2012.

Foreign Application Priority Data

- Jun. 20, 2012 (JP) 2012-014671
- Jun. 20, 2012 (JP) 2012-014672

- (51) **LOC (10) Cl.** **24-00**
- (52) **U.S. Cl.**
USPC **D24/170**

- (58) **Field of Classification Search**
USPC D24/138, 107, 170, 187, 164, 186, 232;
600/538, 529, 532; 128/204.18,
128/205.24; D14/218, 137, 214, 250, 188
See application file for complete search history.

References Cited

U.S. PATENT DOCUMENTS

D489,323 S	5/2004	Yoshida
D563,908 S	3/2008	Kohler, Jr. et al.
7,492,611 B2	2/2009	Kao

* cited by examiner

Primary Examiner — Ian Simmons

Assistant Examiner — Rhea Shields

(74) *Attorney, Agent, or Firm* — Sughrue Mion, PLLC

CLAIM

(57) The ornamental design for a gas feeder for endoscope, as shown and described.

DESCRIPTION

FIG. 1 is a top, front and side perspective view of a gas feeder for endoscope showing our new design;
 FIG. 2 is a front elevational view thereof;
 FIG. 3 is a rear elevational view thereof;
 FIG. 4 is a top plan view thereof;
 FIG. 5 is a bottom plan view thereof;
 FIG. 6 is a right side elevational view thereof; and,
 FIG. 7 is a left side elevational view thereof.
 In the drawings, the broken lines depict environmental subject matter only and form no part of the claimed design.

1 Claim, 7 Drawing Sheets

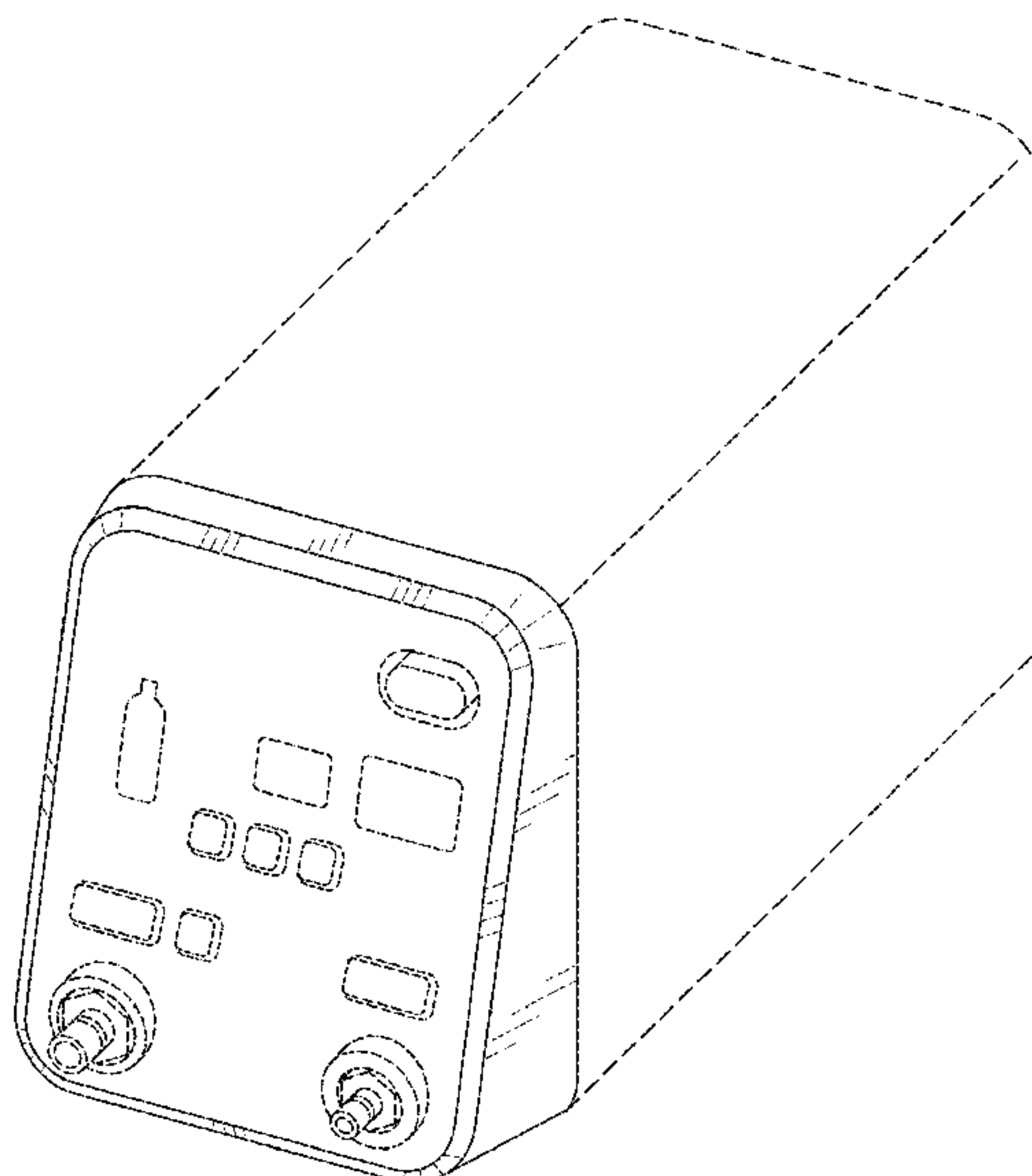


FIG. 1

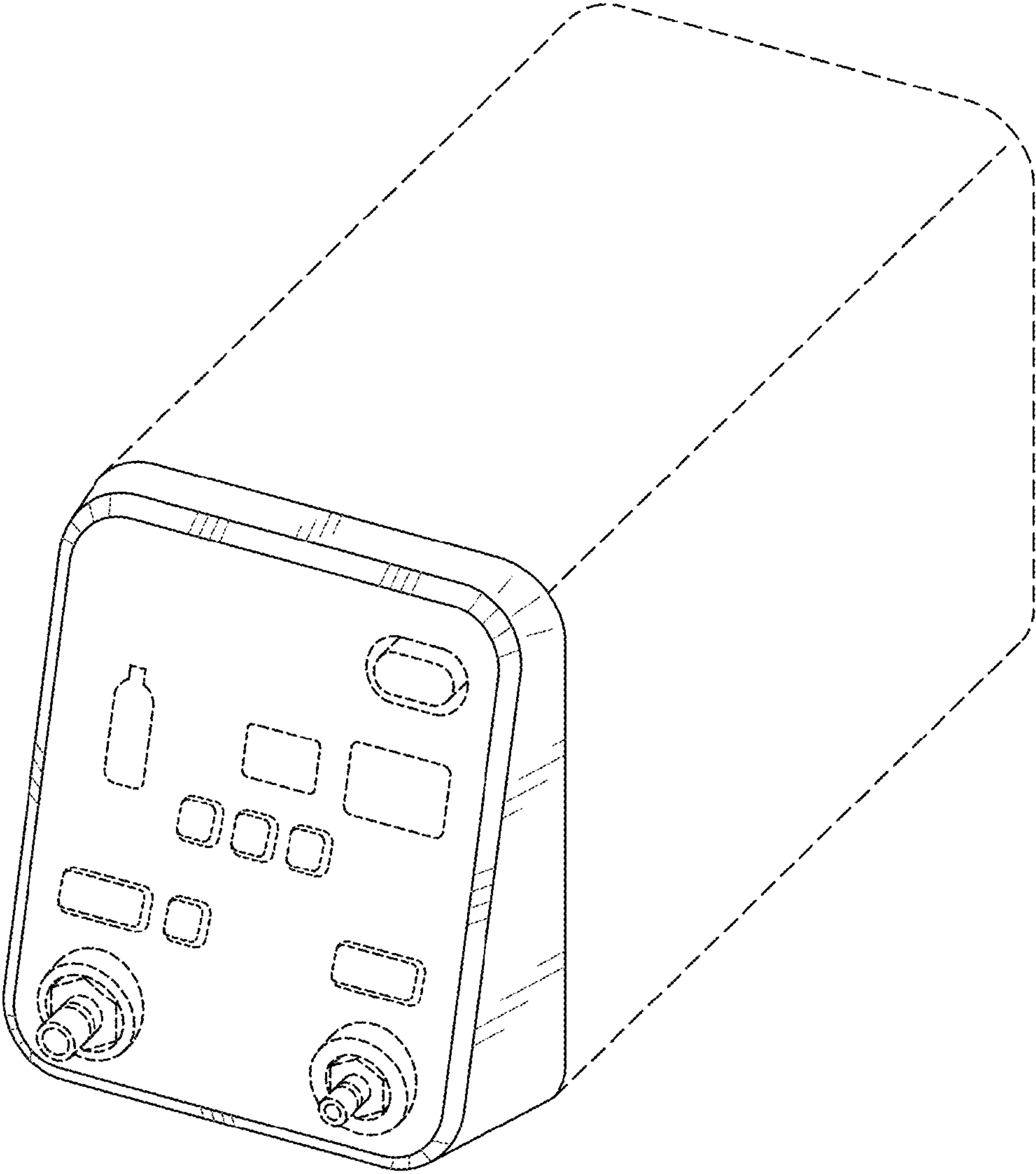


FIG.2

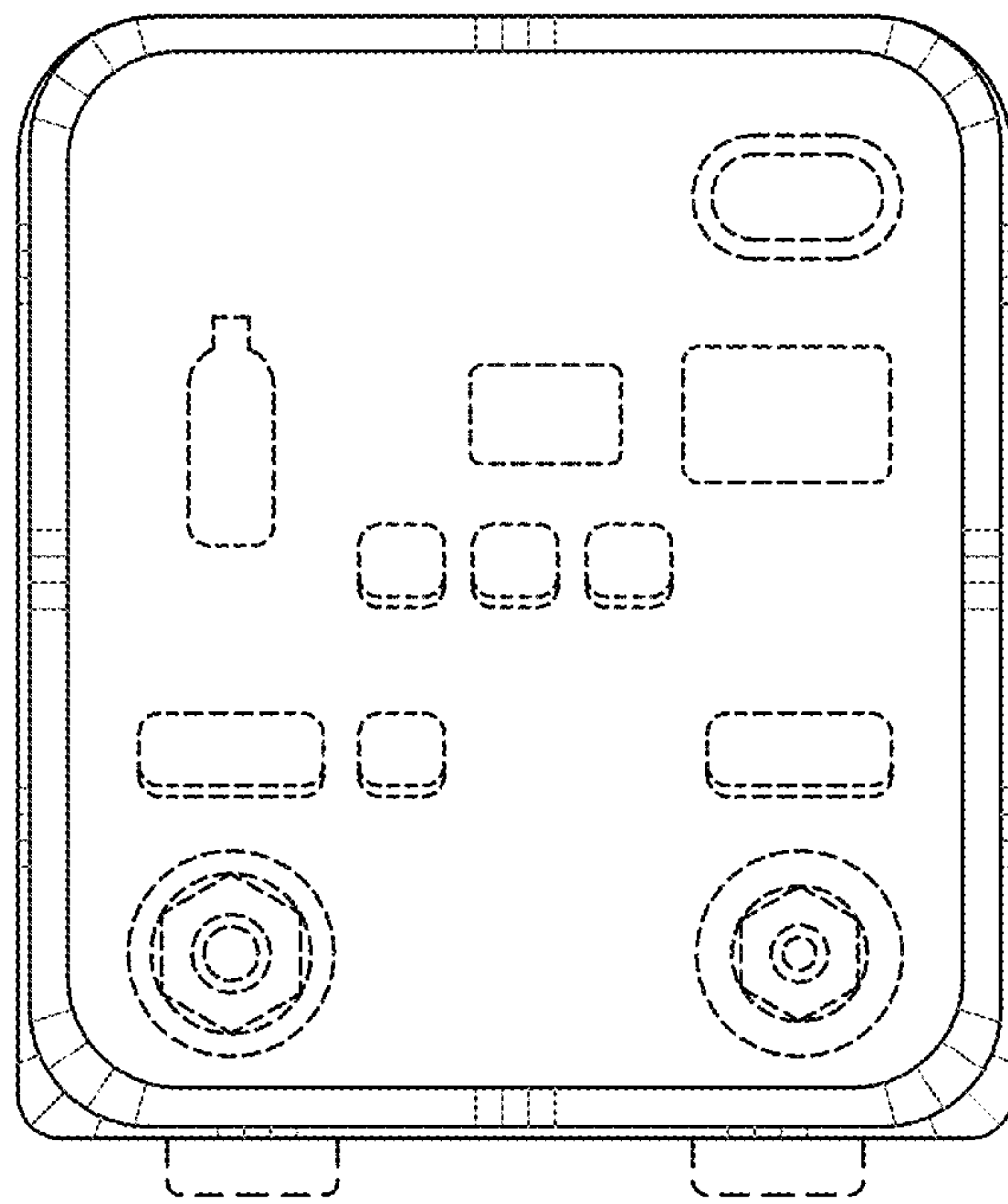


FIG.3

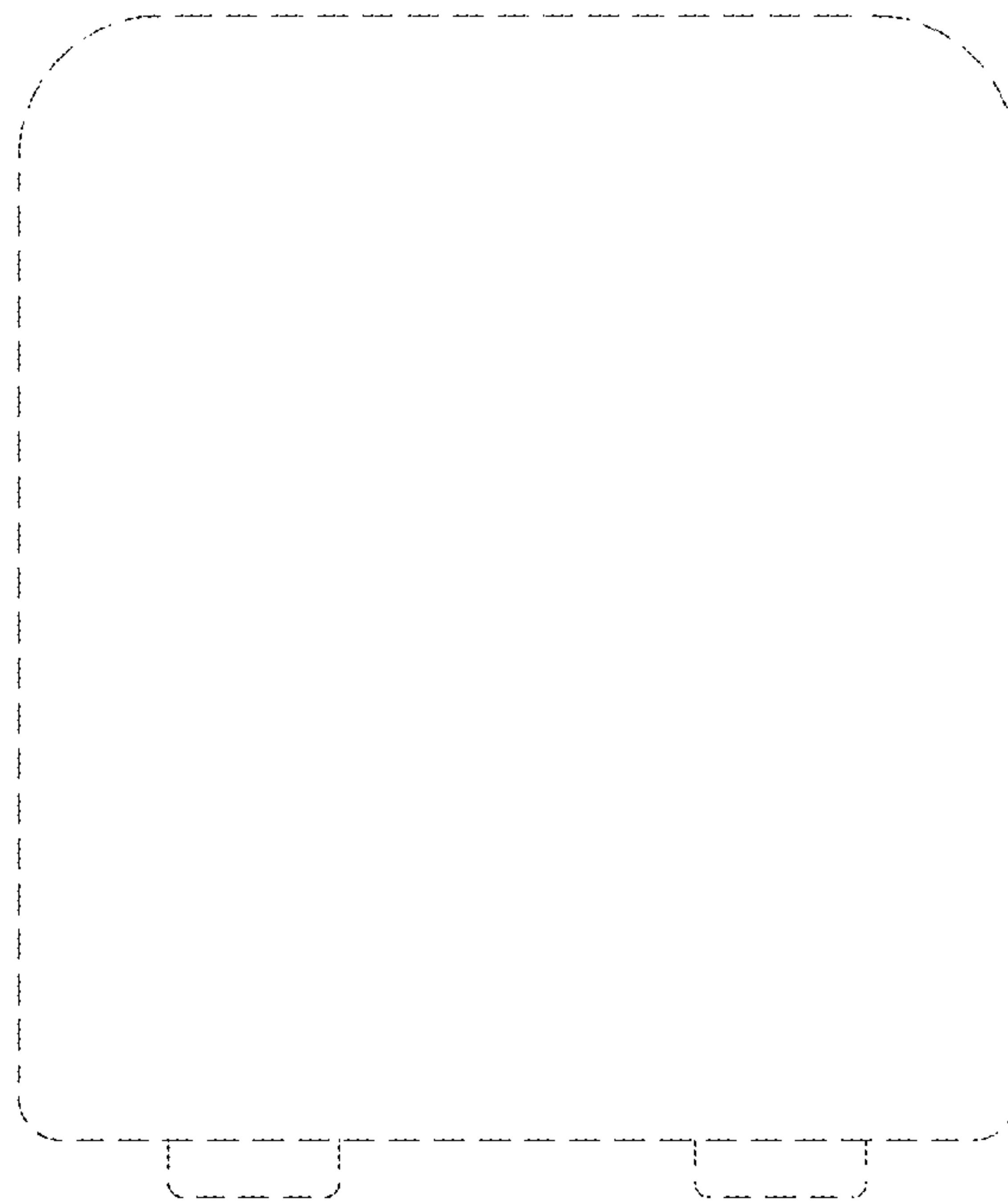


FIG.4

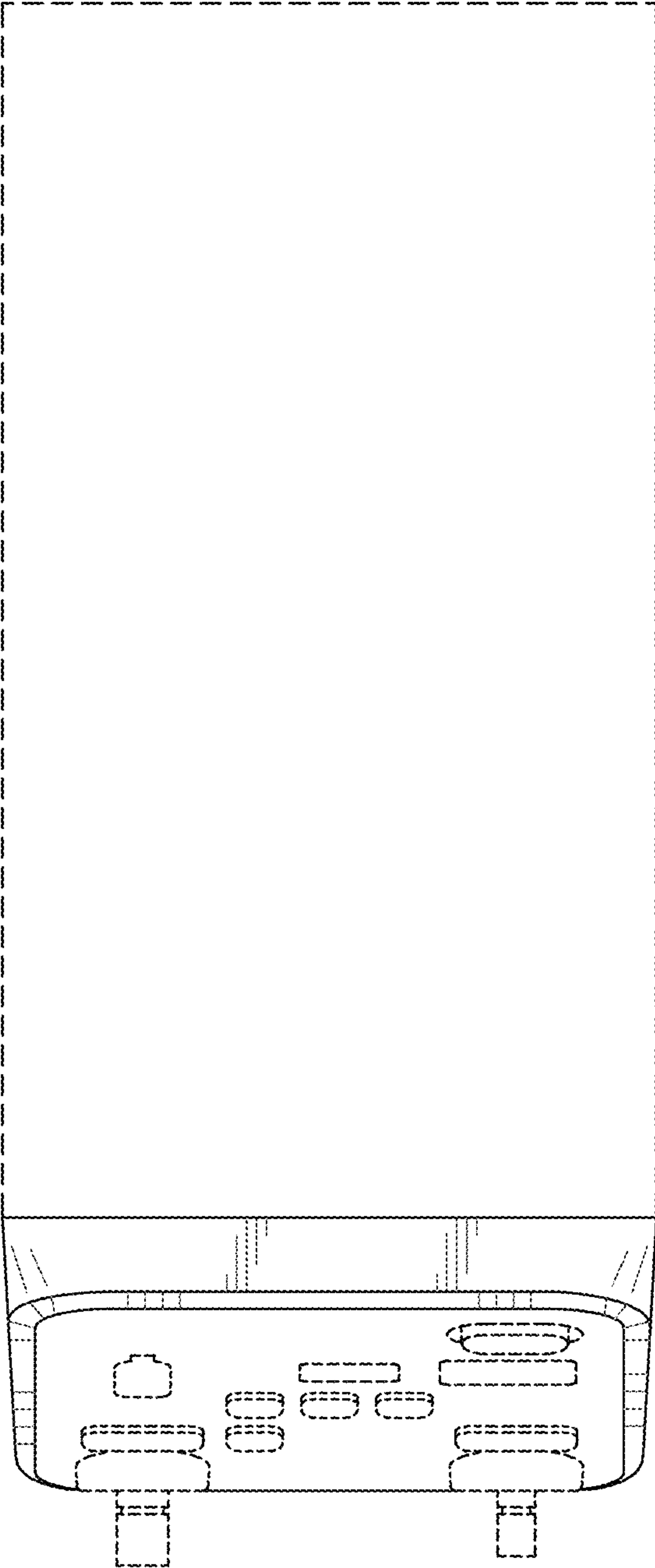


FIG.5

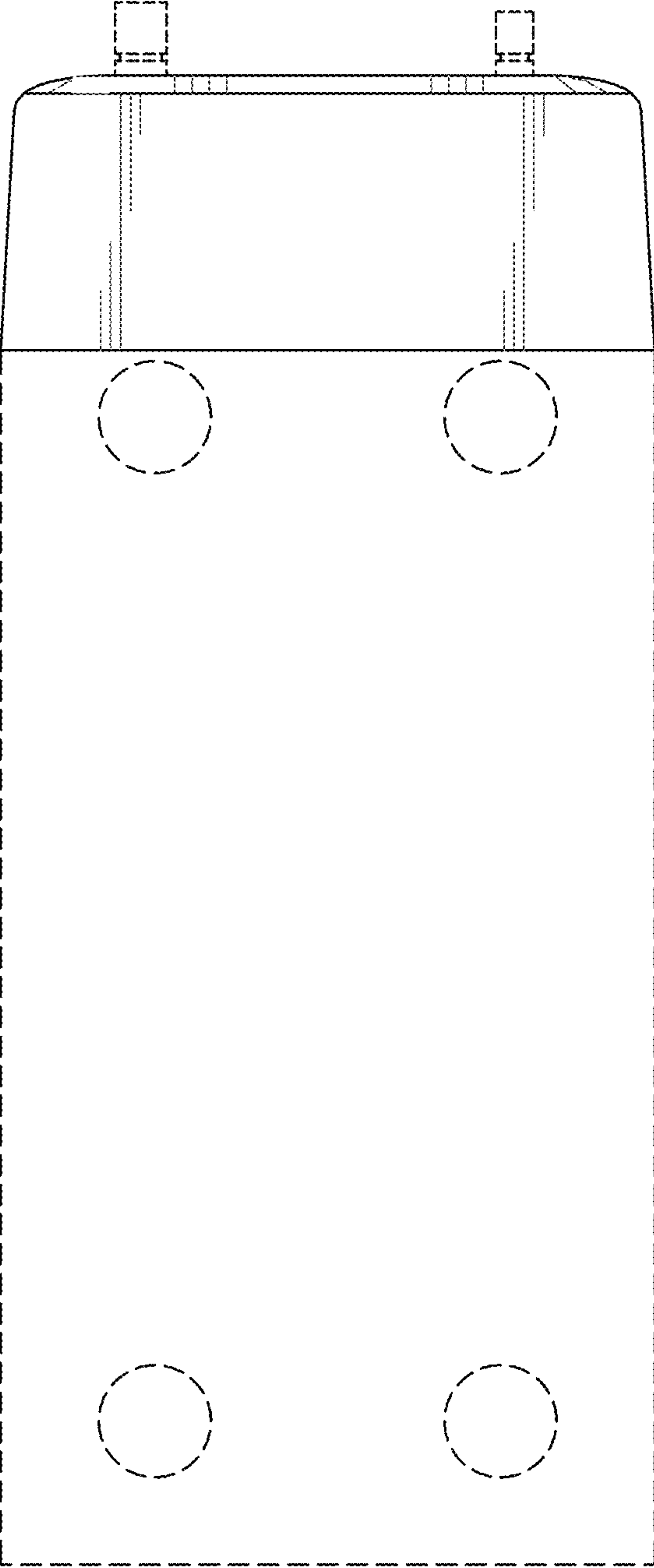


FIG.6

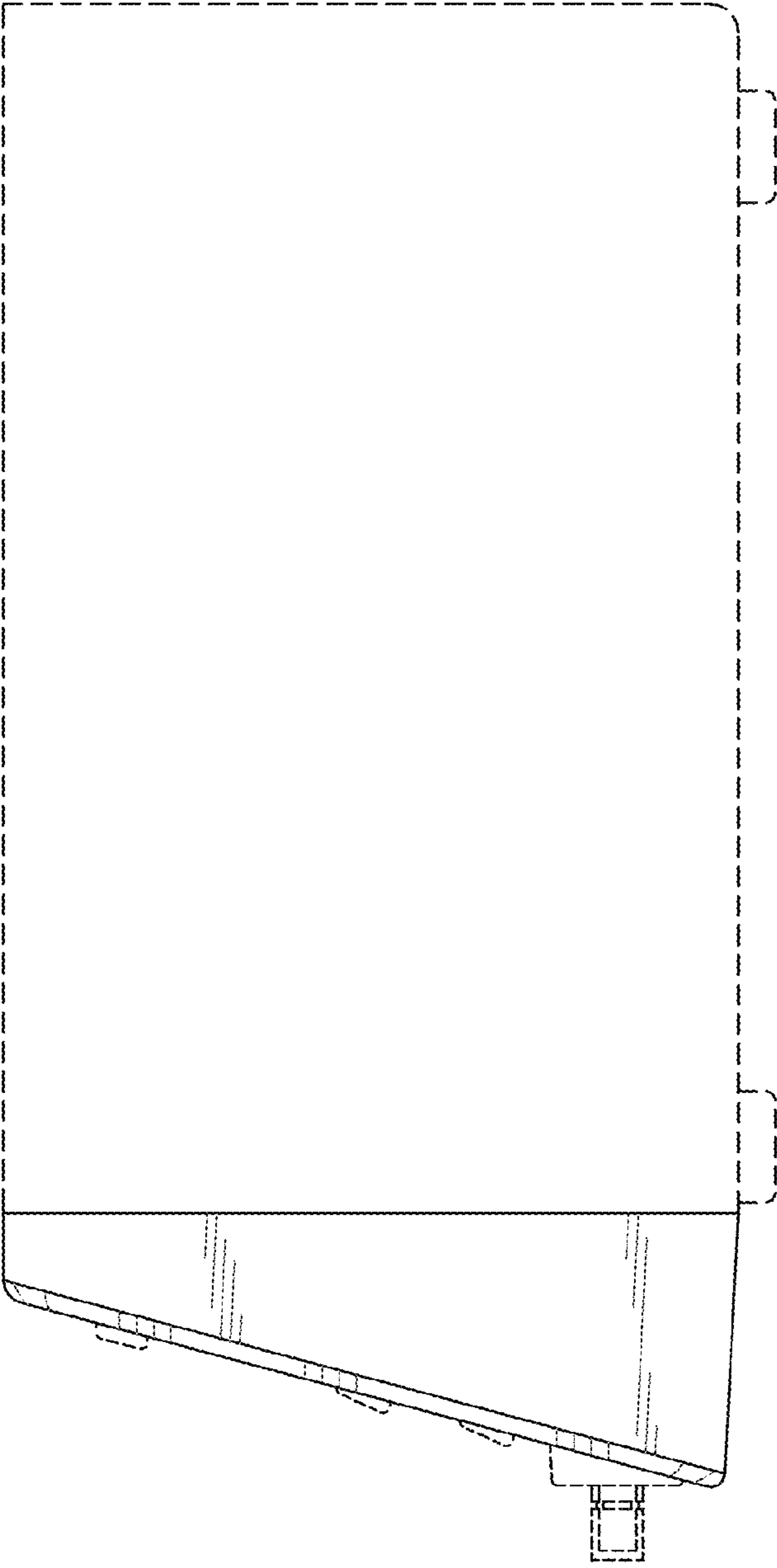


FIG. 7

