



US00D715945S

(12) **United States Design Patent**
Zhang

(10) **Patent No.:** **US D715,945 S**

(45) **Date of Patent:** **** Oct. 21, 2014**

(54) **MAGNETIC RESONANCE IMAGING SYSTEM**

(71) Applicant: **Shanghai United Imaging Healthcare Co., Ltd.**, Shanghai (CN)

(72) Inventor: **Jun Zhang**, Shanghai (CN)

(73) Assignee: **Shanghai United Imaging Healthcare Co., Ltd.**, Shanghai (CN)

(**) Term: **14 Years**

(21) Appl. No.: **29/458,533**

(22) Filed: **Jun. 20, 2013**

(30) **Foreign Application Priority Data**

Dec. 21, 2012 (CN) 2012 3 0645164

(51) **LOC (10) Cl.** **24-01**

(52) **U.S. Cl.**
USPC **D24/159**

(58) **Field of Classification Search**
USPC D24/158-161, 185, 186; 378/4, 15, 17,
378/20, 21, 23-27, 62, 68, 146, 195-198,
378/57; 600/410, 421, 422
See application file for complete search history.

(56) **References Cited**

U.S. PATENT DOCUMENTS

D557,418 S * 12/2007 Onuma et al. D24/158
D564,096 S * 3/2008 Banryu D24/158
D625,416 S * 10/2010 Kasai et al. D24/158

D639,950 S * 6/2011 Ramos D24/158
D659,248 S * 5/2012 Ramos D24/159
D678,527 S * 3/2013 Boninger D24/158
D683,023 S * 5/2013 Andersson et al. D24/158
D683,025 S * 5/2013 Banryu D24/158
2013/0184564 A1* 7/2013 Ninomiya et al. 600/415

* cited by examiner

Primary Examiner — Anhdao Doan

(74) *Attorney, Agent, or Firm* — Houtteman Law LLC

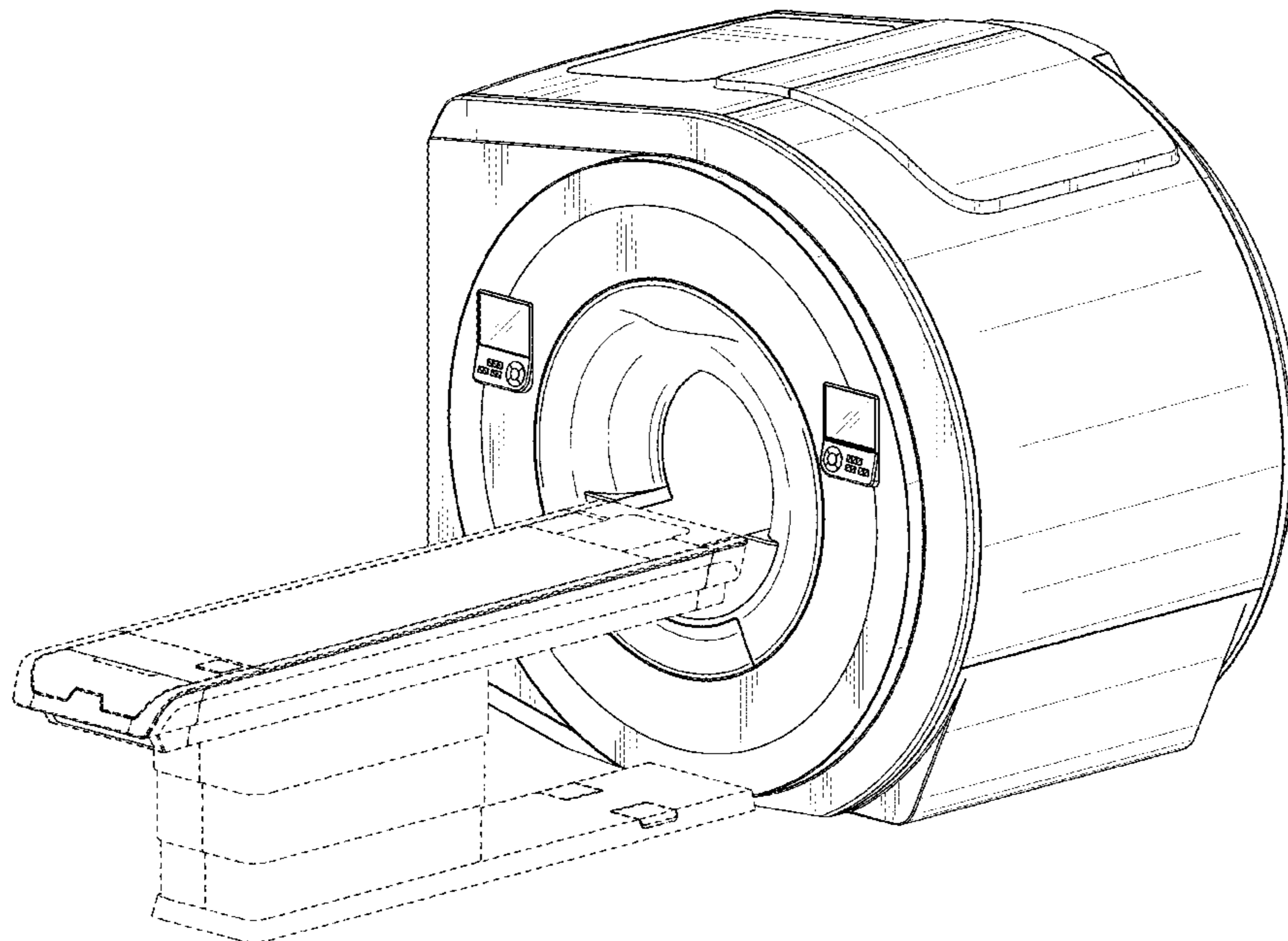
(57) **CLAIM**

The ornamental design for a magnetic resonance imaging system, as shown and described.

DESCRIPTION

FIG. 1 is a perspective view of a magnetic resonance imaging system showing our new design;
FIG. 2 is a front side view of the magnetic resonance imaging system shown in FIG. 1;
FIG. 3 is a rear side view of the magnetic resonance imaging system shown in FIG. 1;
FIG. 4 is a left side view of the magnetic resonance imaging system shown in FIG. 1;
FIG. 5 is a right side view of the magnetic resonance imaging system shown in FIG. 1;
FIG. 6 is a top view of the magnetic resonance imaging system shown in FIG. 1; and,
FIG. 7 is a bottom view of the magnetic resonance imaging system shown in FIG. 1.
The portions of the magnetic resonance imaging system shown in broken lines form no part of the claimed design.

1 Claim, 7 Drawing Sheets



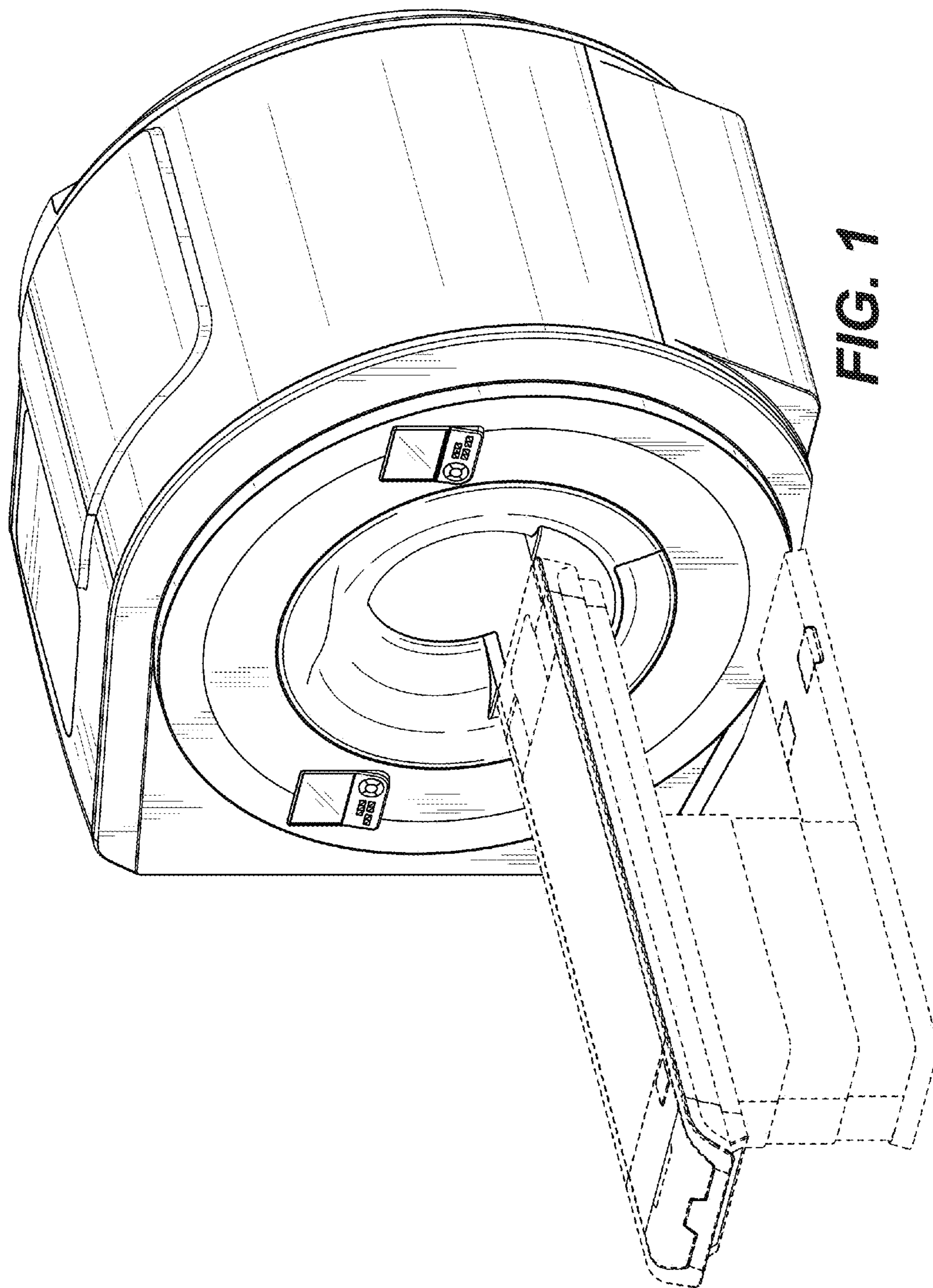


FIG. 1

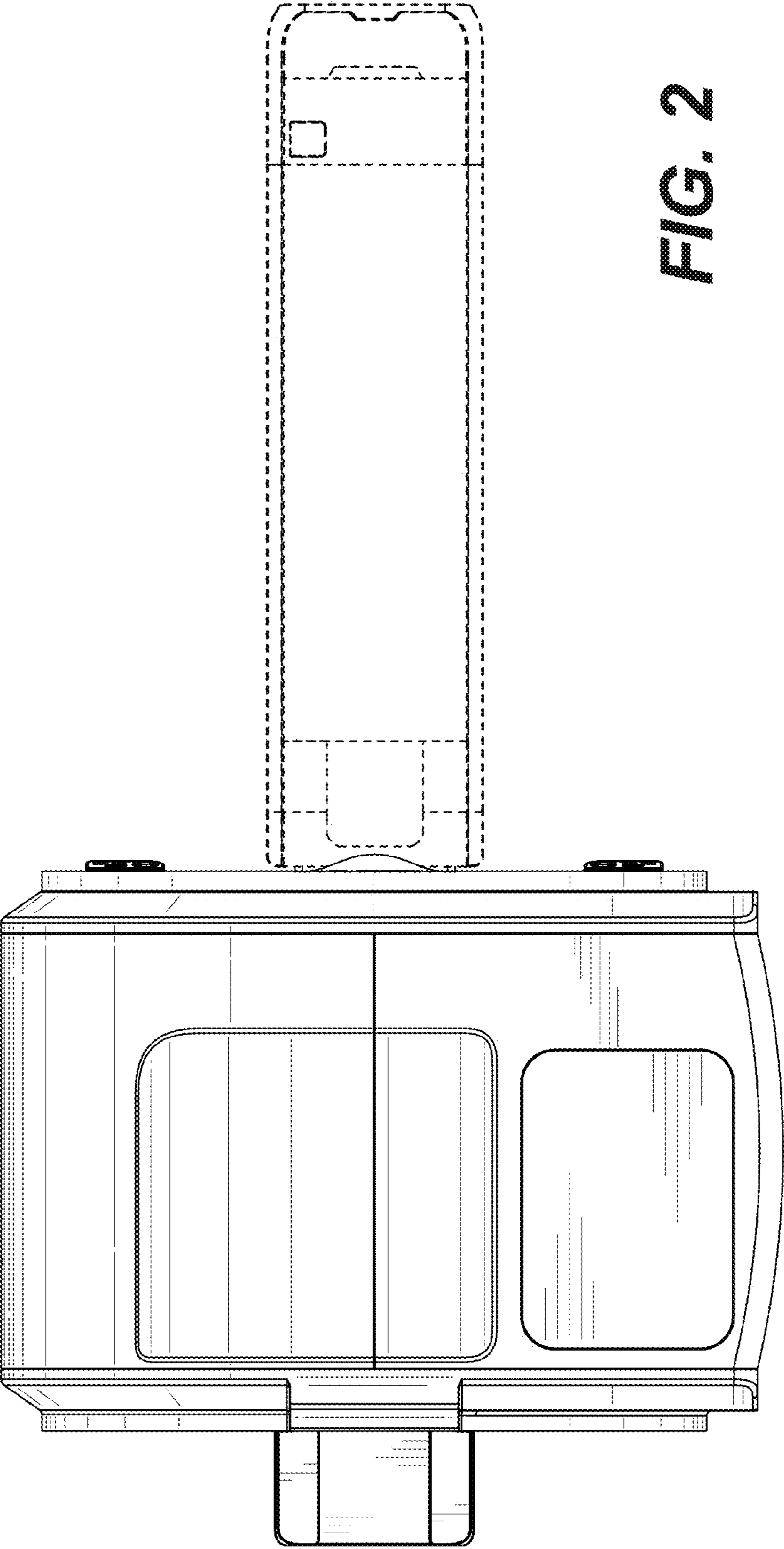


FIG. 2

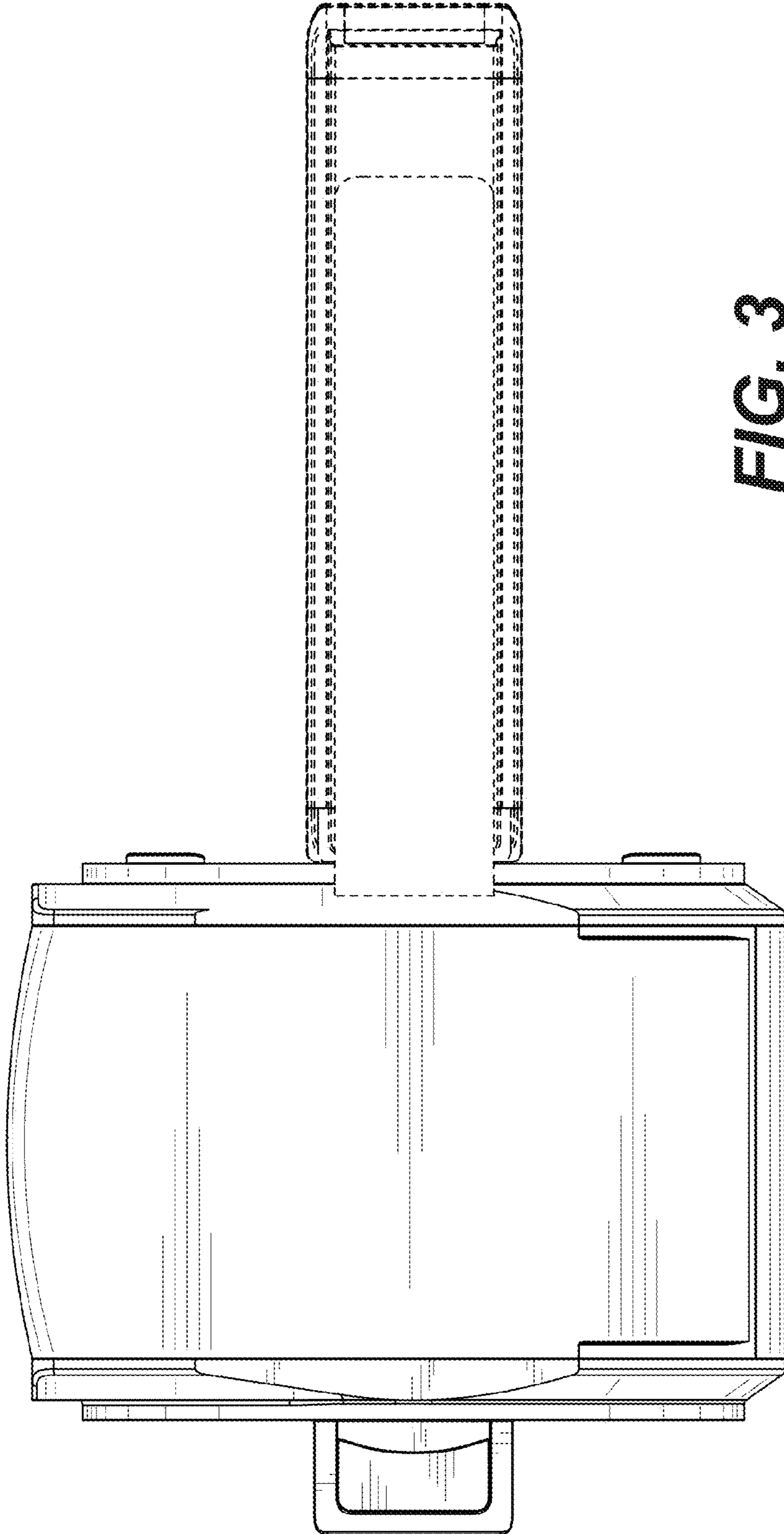


FIG. 3

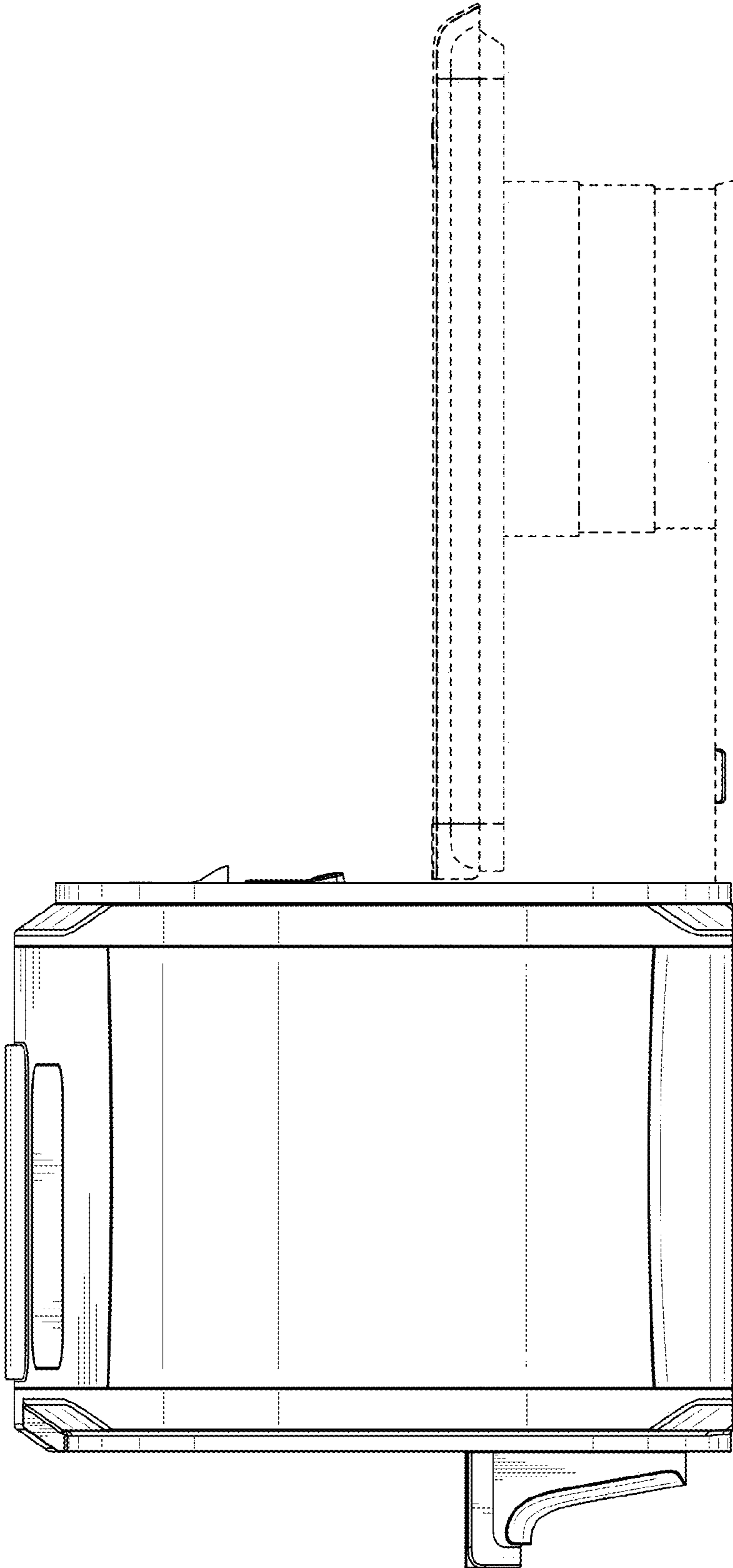


FIG. 4

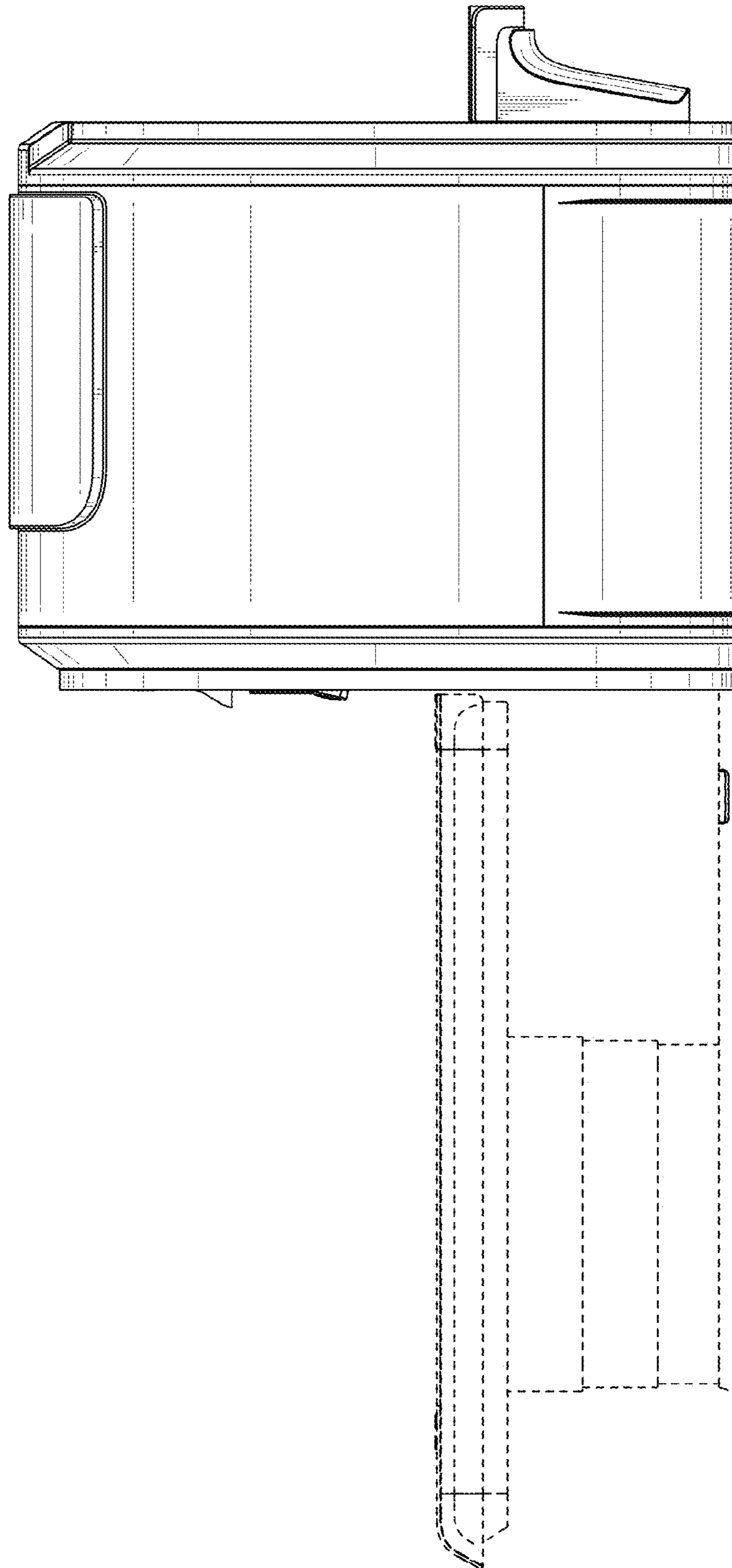


FIG. 5

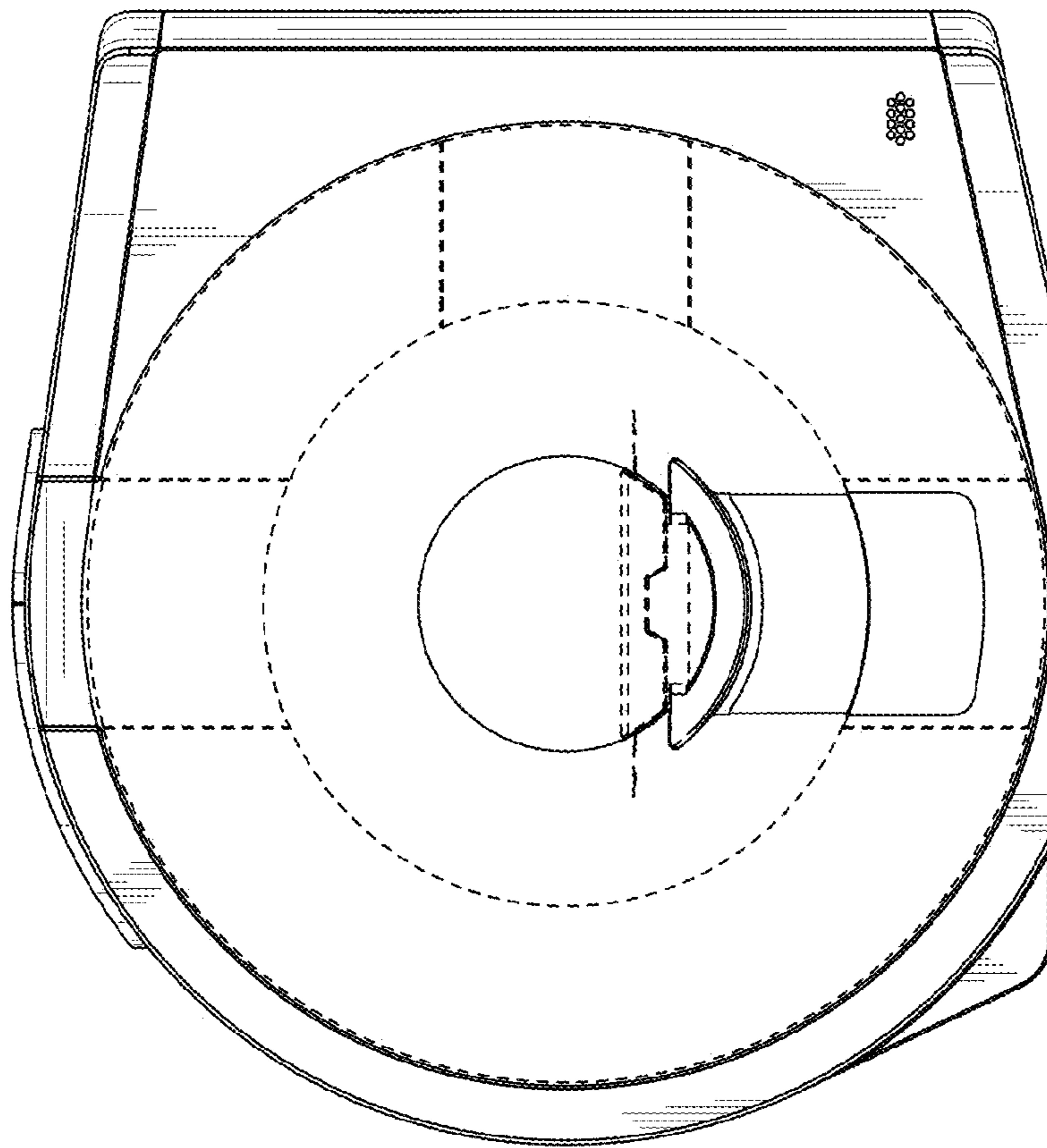


FIG. 6

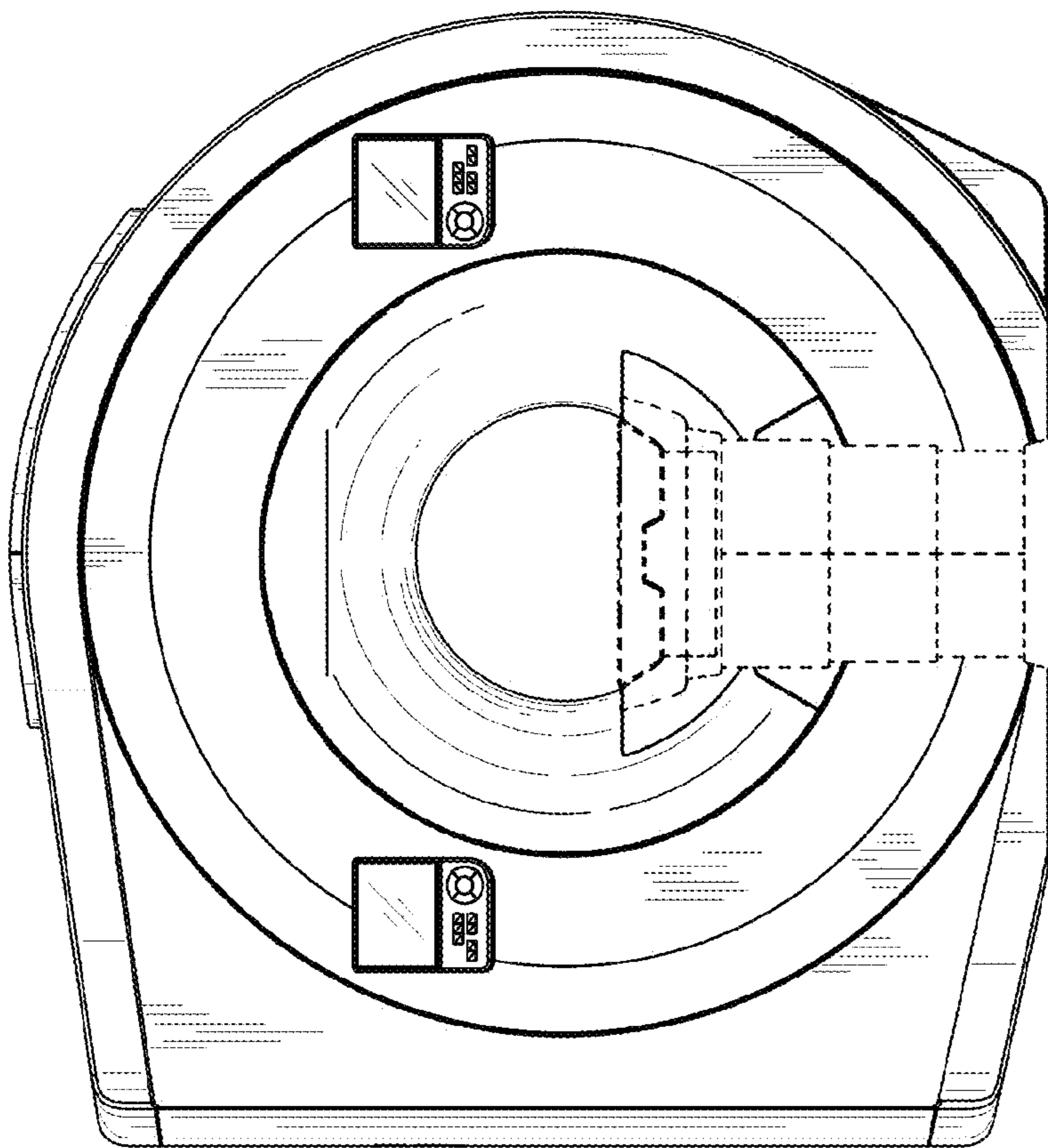


FIG. 7