



US00D715943S

(12) **United States Design Patent**
Zhang et al.

(10) **Patent No.:** **US D715,943 S**

(45) **Date of Patent:** **** Oct. 21, 2014**

(54) **COMPUTED TOMOGRAPHY EQUIPMENT**

(71) Applicant: **Shanghai United Imaging Healthcare Co., Ltd., Shanghai (CN)**

(72) Inventors: **Jun Zhang, Shanghai (CN); Anthony Oh Kok Chong, Shanghai (CN)**

(73) Assignee: **Shanghai United Imaging Healthcare Co., Ltd., Shanghai (CN)**

(**) Term: **14 Years**

(21) Appl. No.: **29/444,589**

(22) Filed: **Jan. 31, 2013**

(30) **Foreign Application Priority Data**

Sep. 5, 2012 (CN) 2012 3 0436310

(51) **LOC (10) Cl.** **24-01**

(52) **U.S. Cl.**
USPC **D24/159**

(58) **Field of Classification Search**
USPC D24/158-161, 185, 186; 378/4, 15, 17,
378/20, 21, 23-27, 62, 68, 146, 195-198,
378/57; 600/410, 421, 422
See application file for complete search history.

(56) **References Cited**

U.S. PATENT DOCUMENTS

D414,868 S * 10/1999 Baars D24/158
D420,134 S * 2/2000 Kitayama D24/159

D527,105 S * 8/2006 Kitayama et al. D24/158
D557,418 S * 12/2007 Onuma et al. D24/158
D659,248 S * 5/2012 Ramos D24/159
D678,527 S * 3/2013 Boninger D24/158

* cited by examiner

Primary Examiner — Anhdao Doan

(74) *Attorney, Agent, or Firm* — Houtteman Law LLC

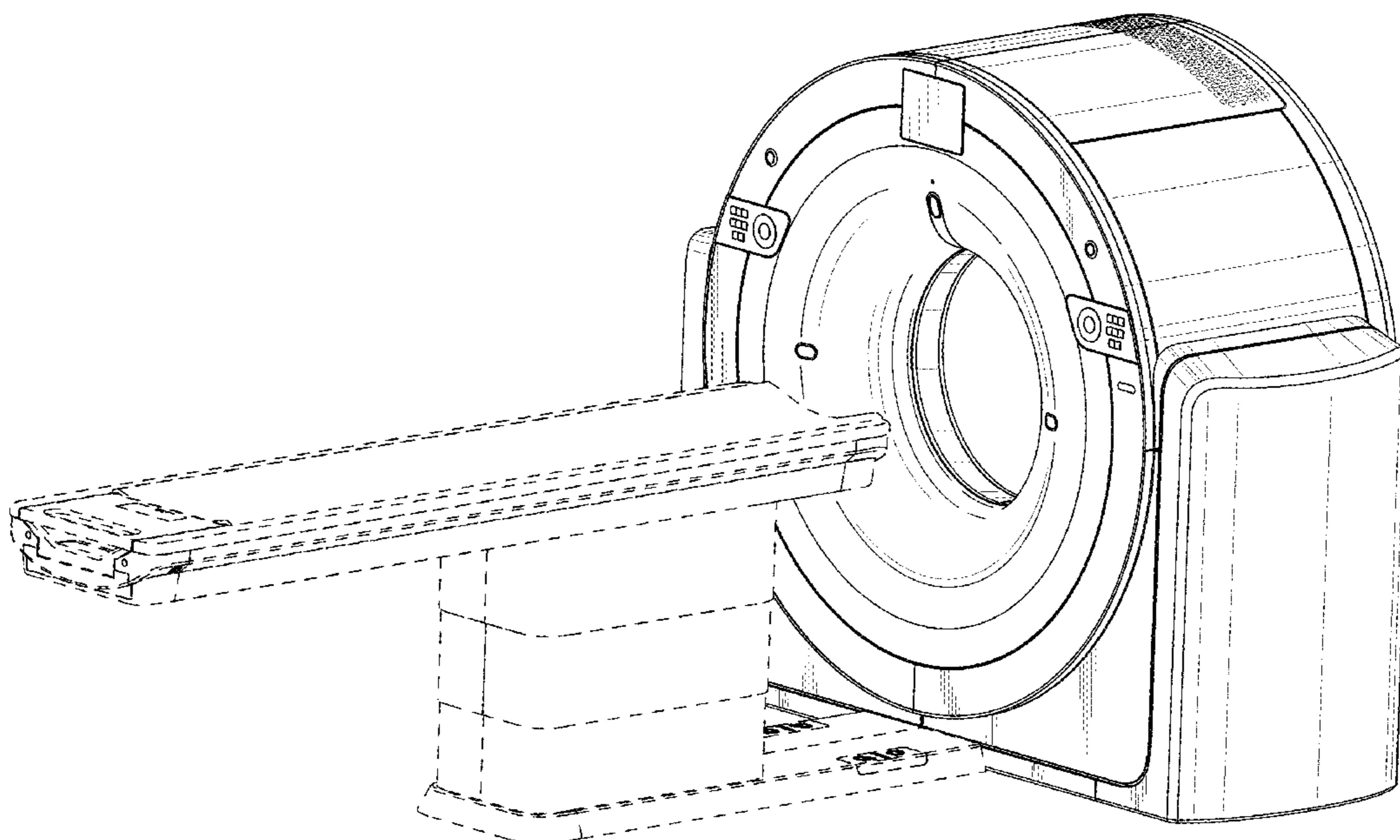
(57) **CLAIM**

The ornamental design for a computed tomography equipment, as shown and described.

DESCRIPTION

FIG. 1 is a perspective view of a computed tomography equipment showing my new design;
FIG. 2 is a front side view of the computed tomography equipment shown in FIG. 1;
FIG. 3 is a rear side view of the computed tomography equipment shown in FIG. 1;
FIG. 4 is a right side view of the computed tomography equipment shown in FIG. 1;
FIG. 5 is a left side view of the computed tomography equipment shown in FIG. 1;
FIG. 6 is a top view of the computed tomography equipment shown in FIG. 1; and,
FIG. 7 is a bottom view of the computed tomography equipment shown in FIG. 1.
The portions of the computed tomography equipment shown in broken lines form no part of the claimed design.

1 Claim, 7 Drawing Sheets



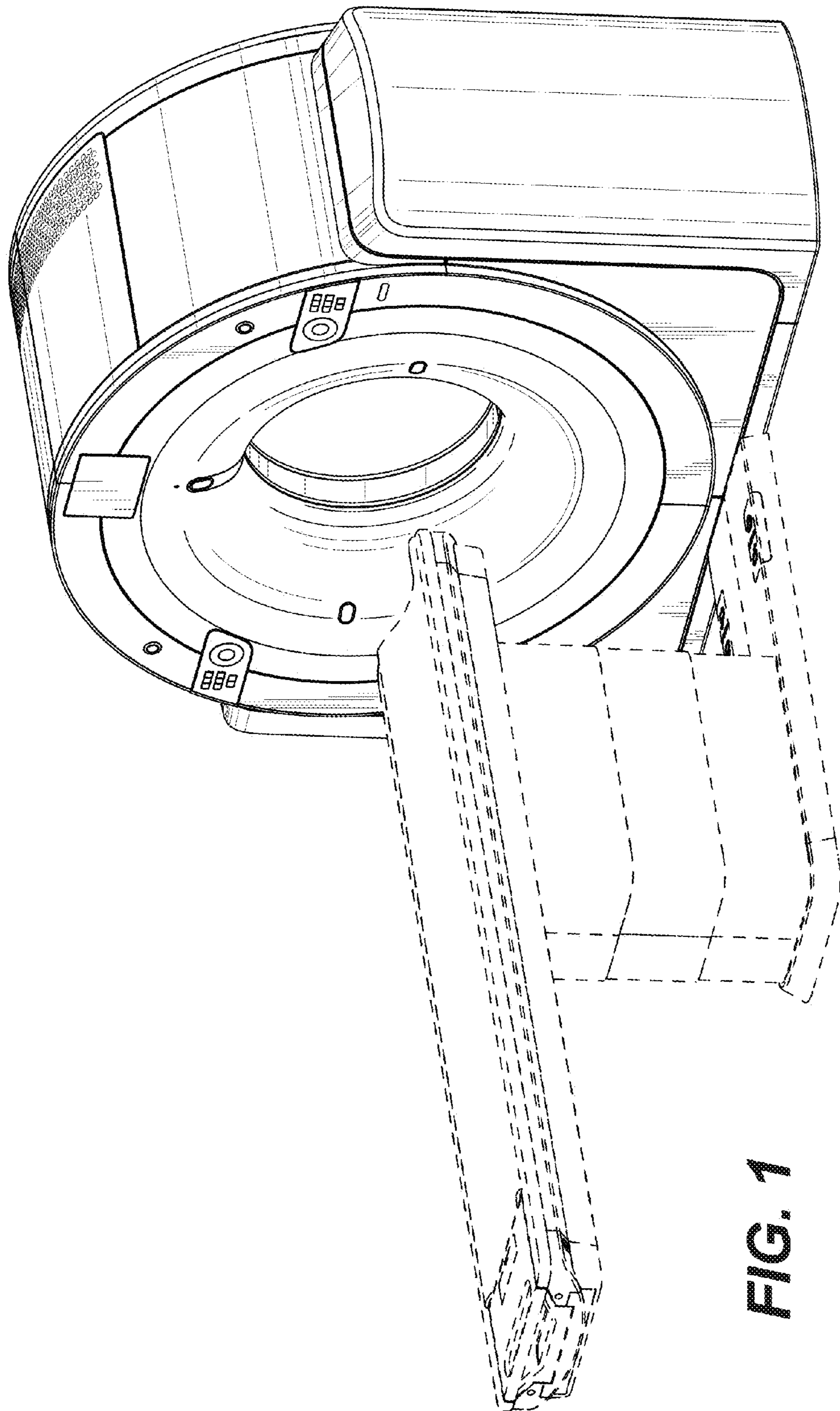


FIG. 1

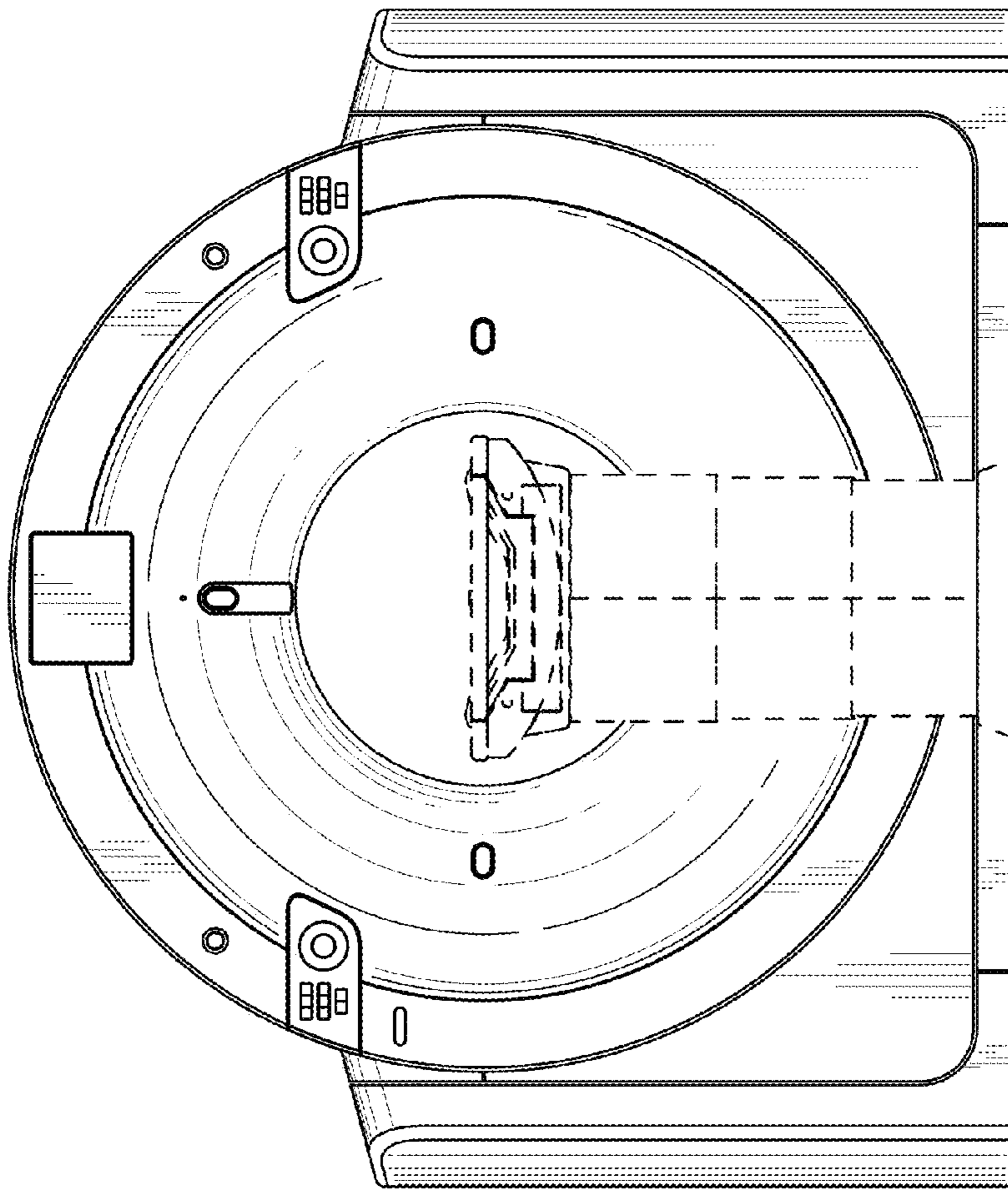


FIG. 2

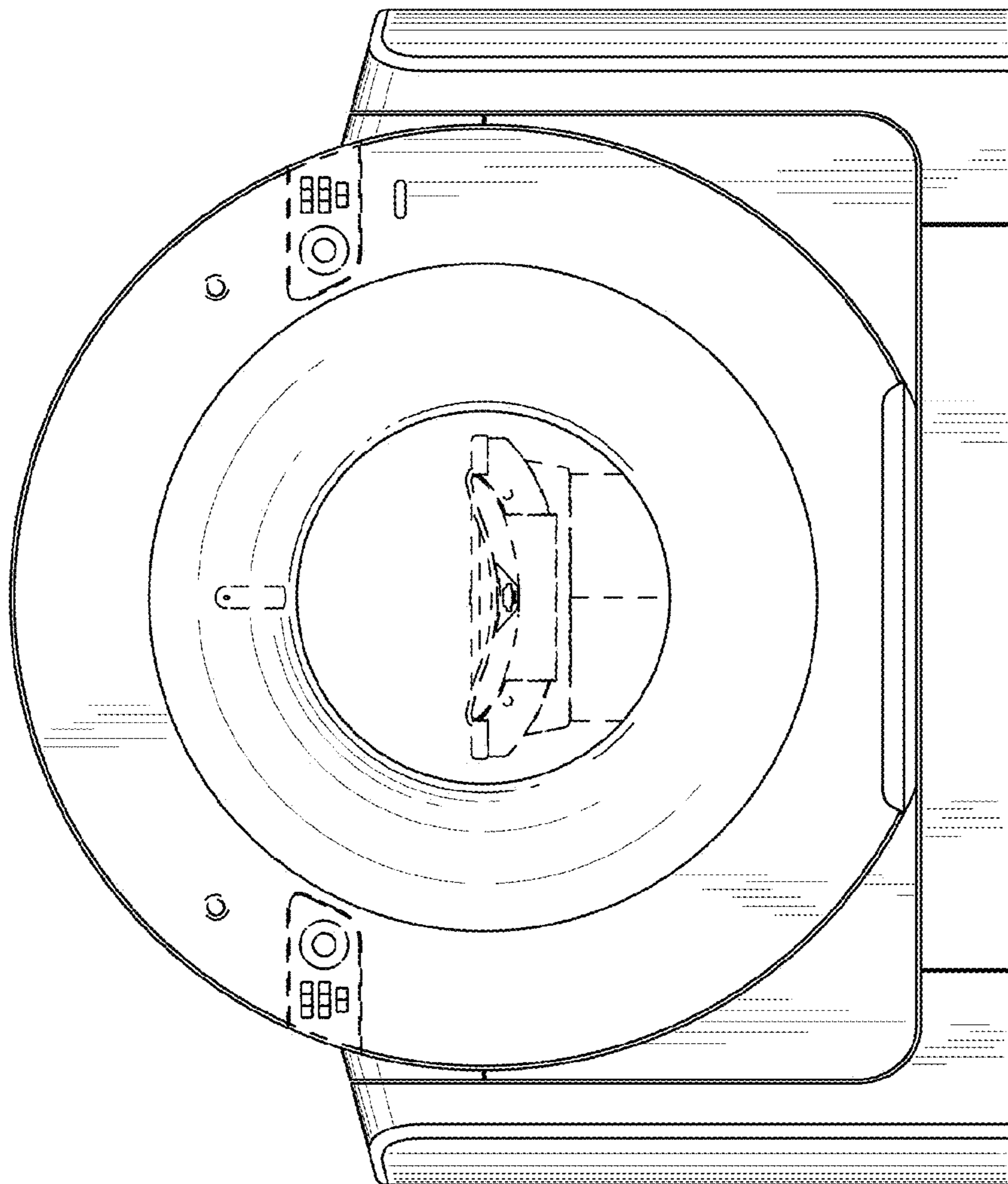


FIG. 3

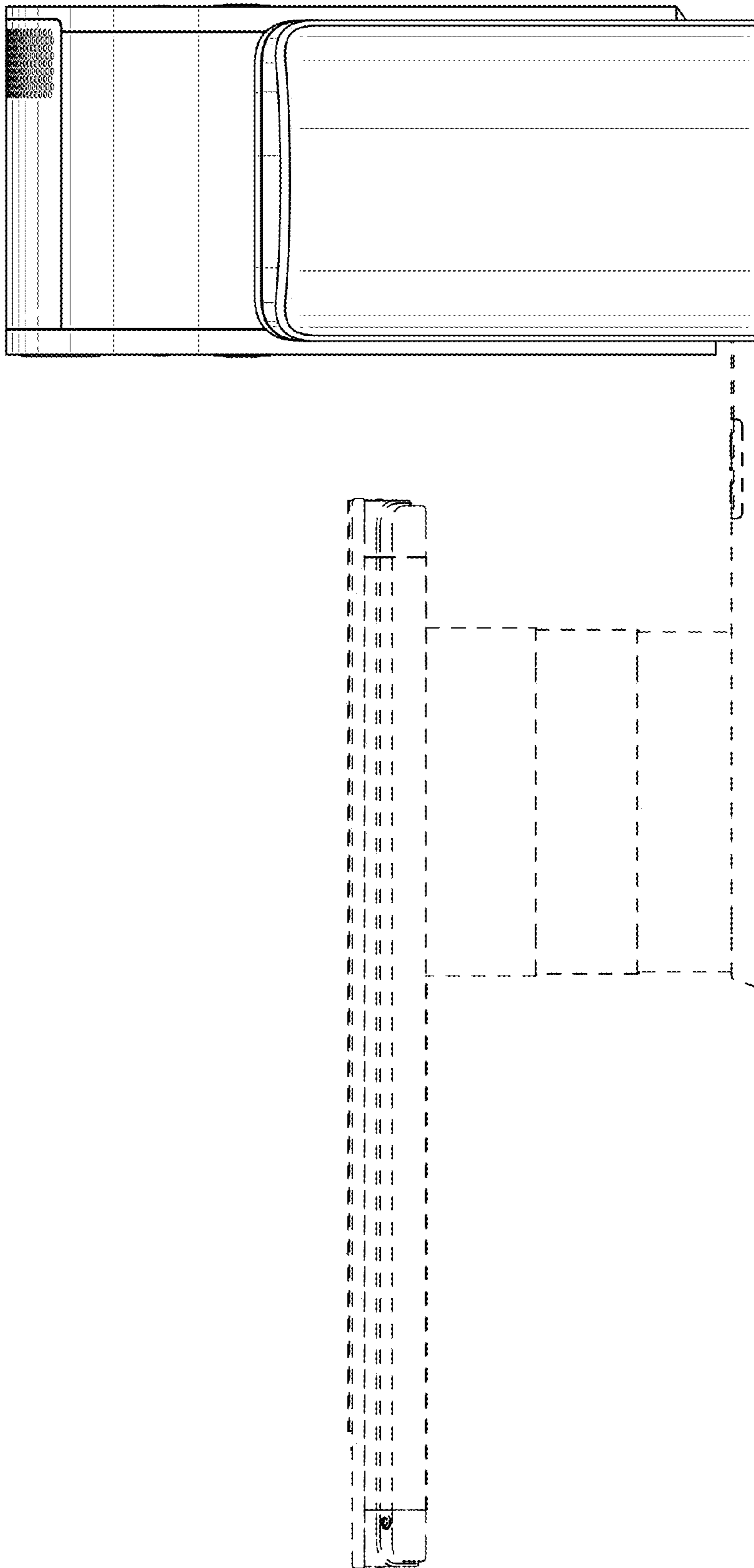


FIG. 4

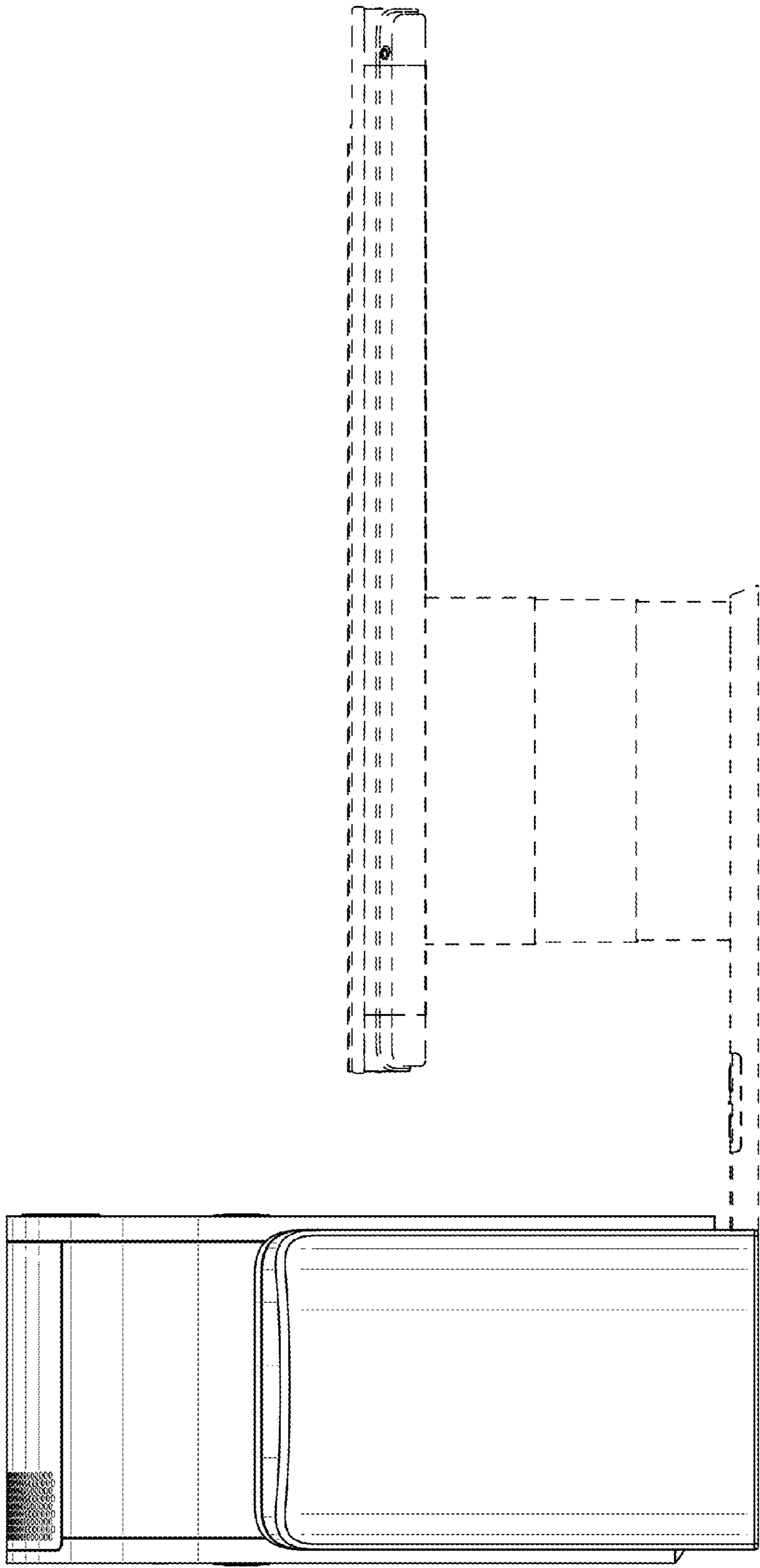


FIG. 5

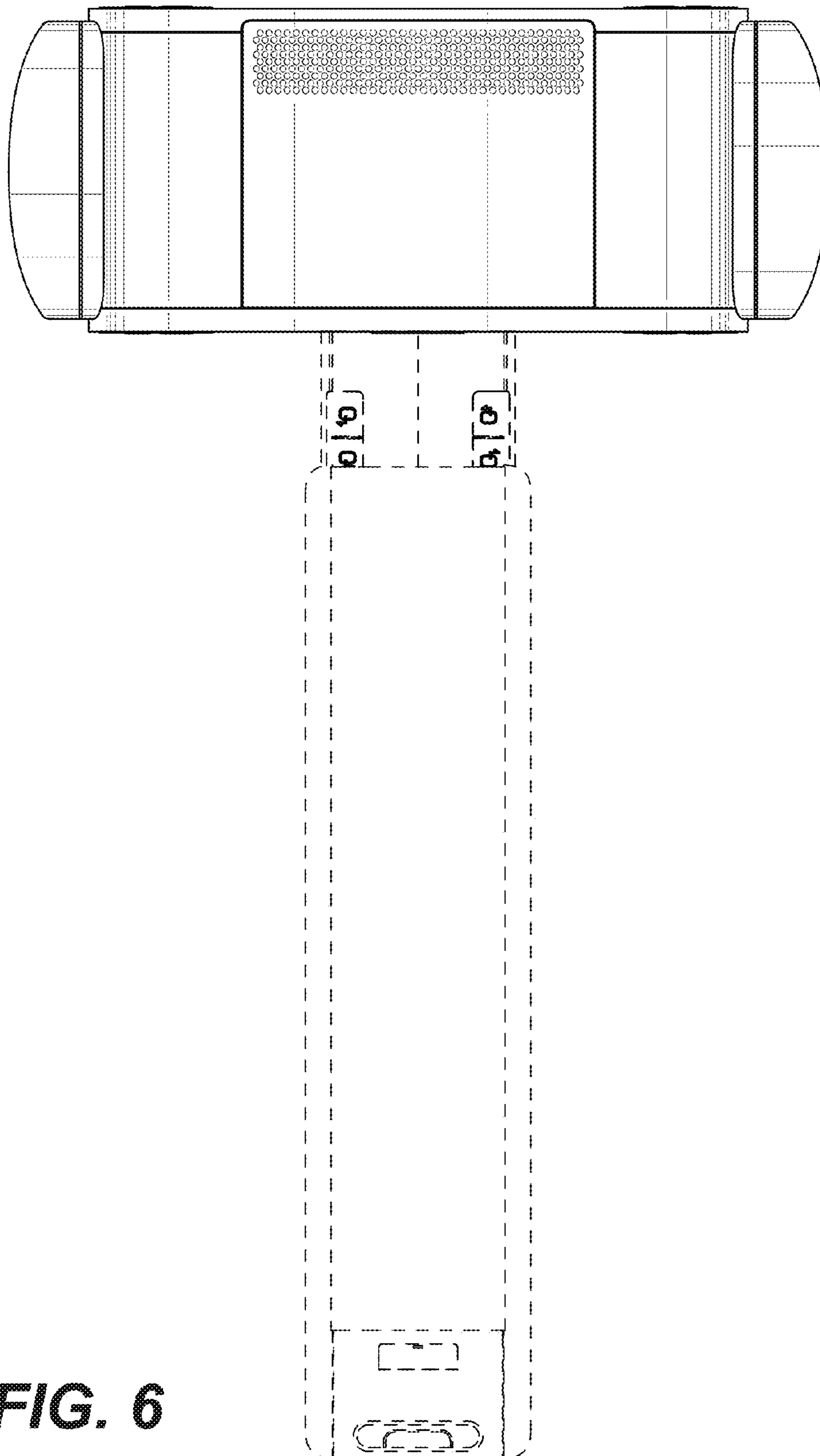


FIG. 6

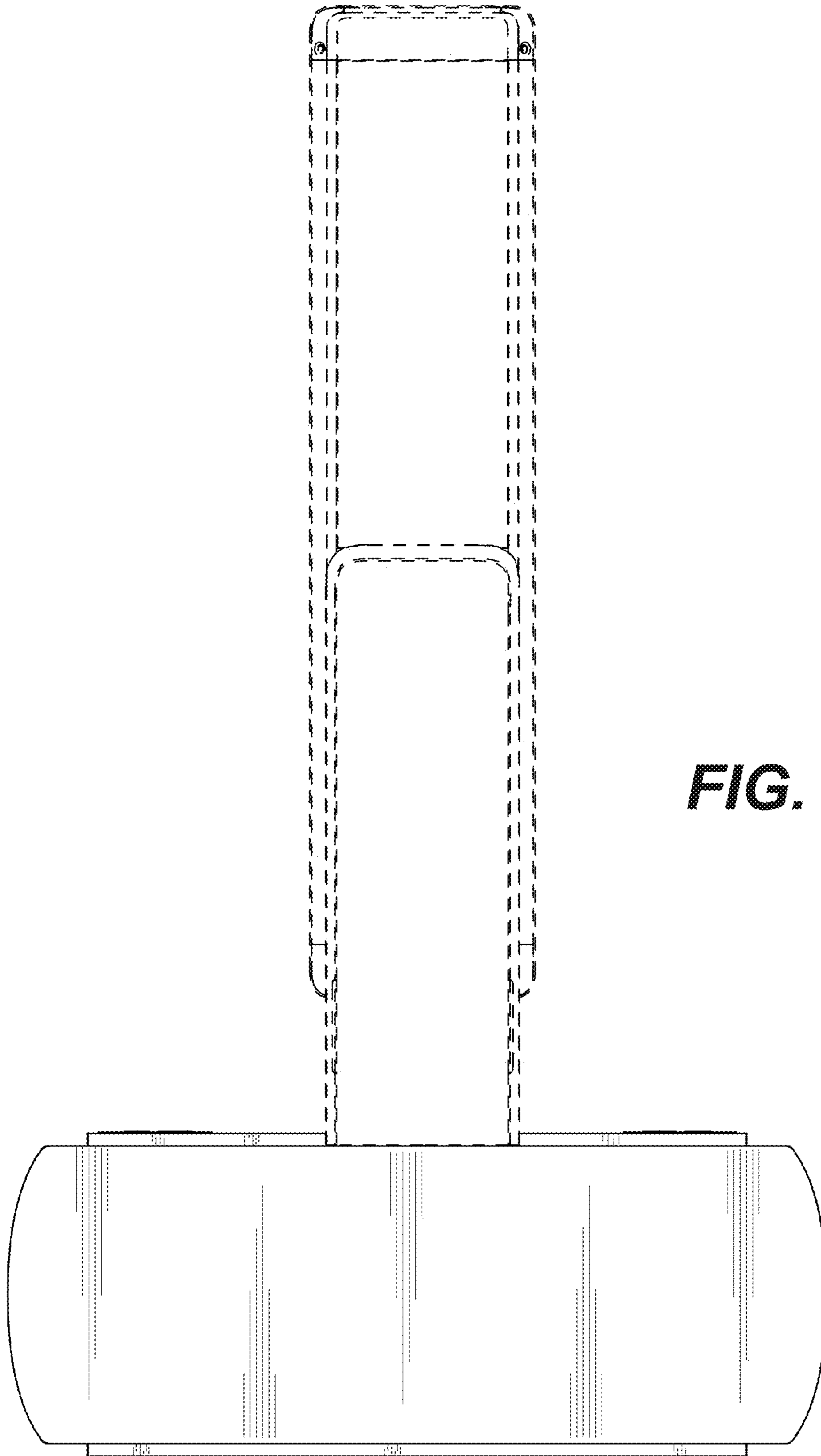


FIG. 7