



US00D715941S

(12) **United States Design Patent**
Li et al.

(10) **Patent No.:** **US D715,941 S**
(45) **Date of Patent:** **** Oct. 21, 2014**

(54) **X-RAY BUCKY WALL STAND**
(71) Applicant: **Shanghai United Imaging Healthcare Co., Ltd., Shanghai (CN)**
(72) Inventors: **Qing Li, Shanghai (CN); Zhongyang Zheng, Shanghai (CN); Minkai Liu, Shanghai (CN)**
(73) Assignee: **Shanghai United Imaging Healthcare Co., Ltd., Shanghai (CN)**

D554,755 S * 11/2007 Iwasaki et al. D24/158
D624,186 S * 9/2010 Youn D24/158
7,949,094 B2 * 5/2011 Ahn 378/57
D659,833 S * 5/2012 Ogura D24/158
D671,217 S * 11/2012 Moon et al. D24/158
D683,021 S * 5/2013 Moon et al. D24/158
2008/0279331 A1 * 11/2008 Huang 378/68

* cited by examiner

Primary Examiner — Anhdao Doan
(74) *Attorney, Agent, or Firm* — Houtteman Law LLC

(**) Term: **14 Years**

(57) **CLAIM**
The ornamental design for a x-ray bucky wall stand, as shown and described.

(21) Appl. No.: **29/461,483**

(22) Filed: **Jul. 23, 2013**

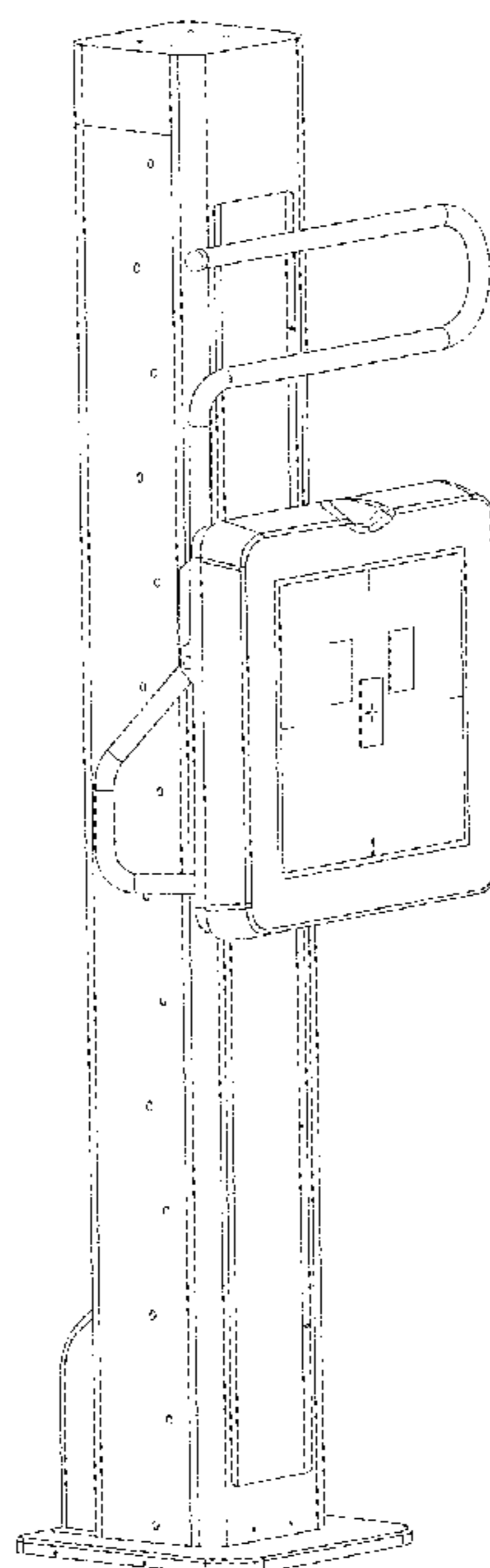
DESCRIPTION

(30) **Foreign Application Priority Data**
Jan. 25, 2013 (CN) 2013 3 0023726
(51) **LOC (10) Cl.** **24-01**
(52) **U.S. Cl.**
USPC **D24/158**
(58) **Field of Classification Search**
USPC D24/158-161, 185, 186; 378/4, 15, 17,
378/20, 21, 23-27, 62, 68, 146, 195-198,
378/57
See application file for complete search history.

FIG. 1 is a perspective view of a x-ray bucky wall stand showing our new design;
FIG. 2 is a front side view of the x-ray bucky wall stand shown in FIG. 1;
FIG. 3 is a rear side view of the x-ray bucky wall stand shown in FIG. 1;
FIG. 4 is a left side view of the x-ray bucky wall stand shown in FIG. 1;
FIG. 5 is a right side view of the x-ray bucky wall stand shown in FIG. 1;
FIG. 6 is a top view of the x-ray bucky wall stand shown in FIG. 1; and,
FIG. 7 is a bottom view of the x-ray bucky wall stand shown in FIG. 1.
The portions of the x-ray bucky wall stand shown in broken lines form no part of the claimed design.

(56) **References Cited**
U.S. PATENT DOCUMENTS
D487,804 S * 3/2004 Kondo D24/158
D487,805 S * 3/2004 Kondo D24/158

1 Claim, 7 Drawing Sheets



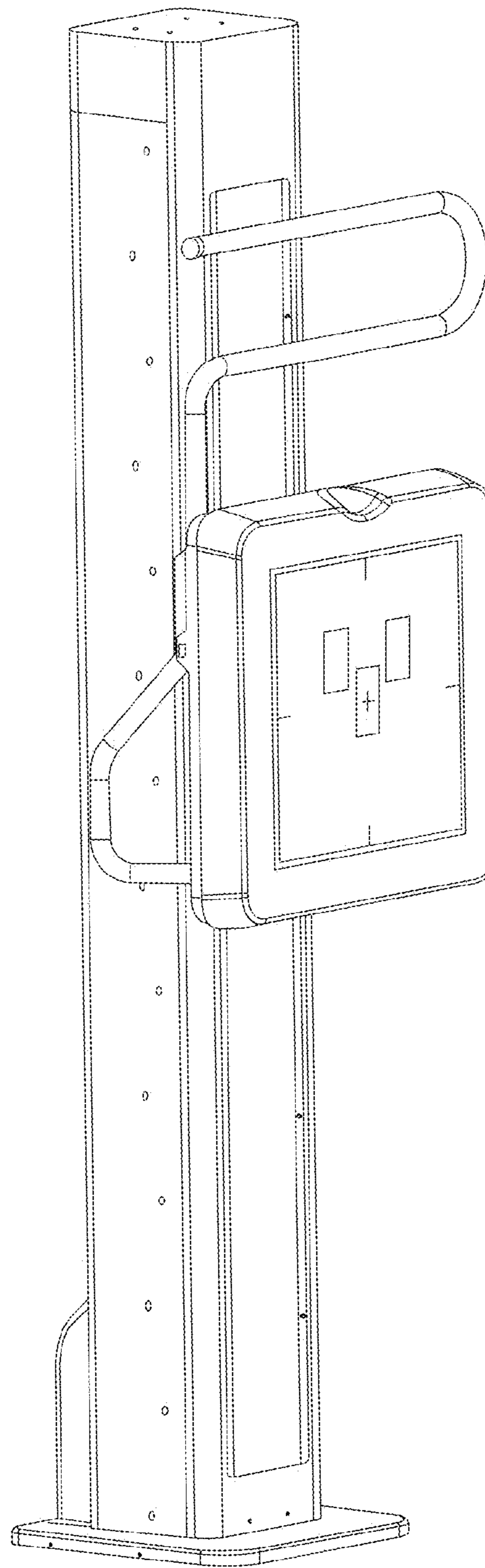


FIG. 1

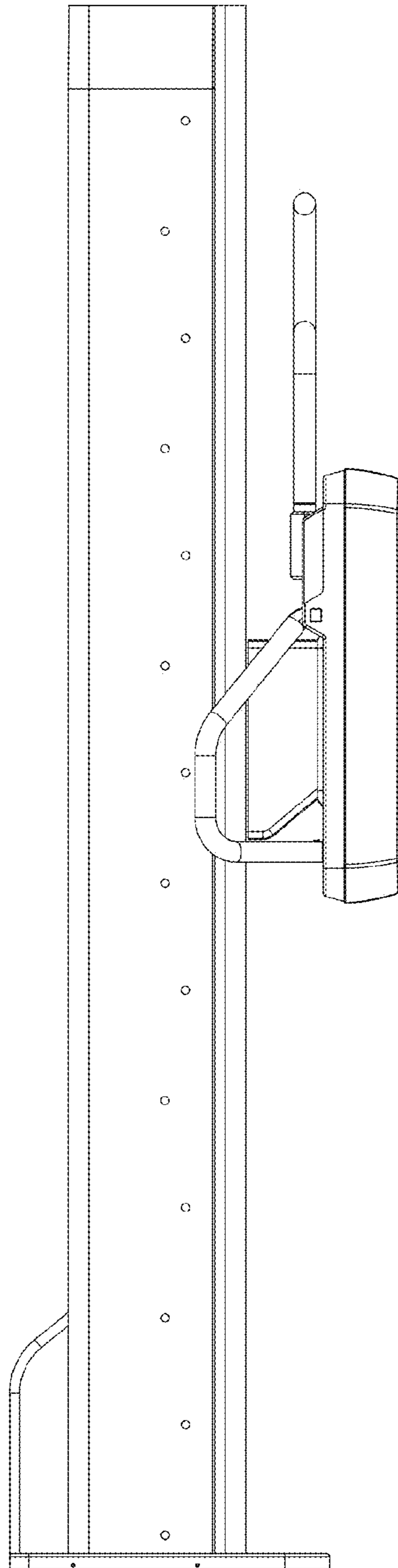


FIG. 2

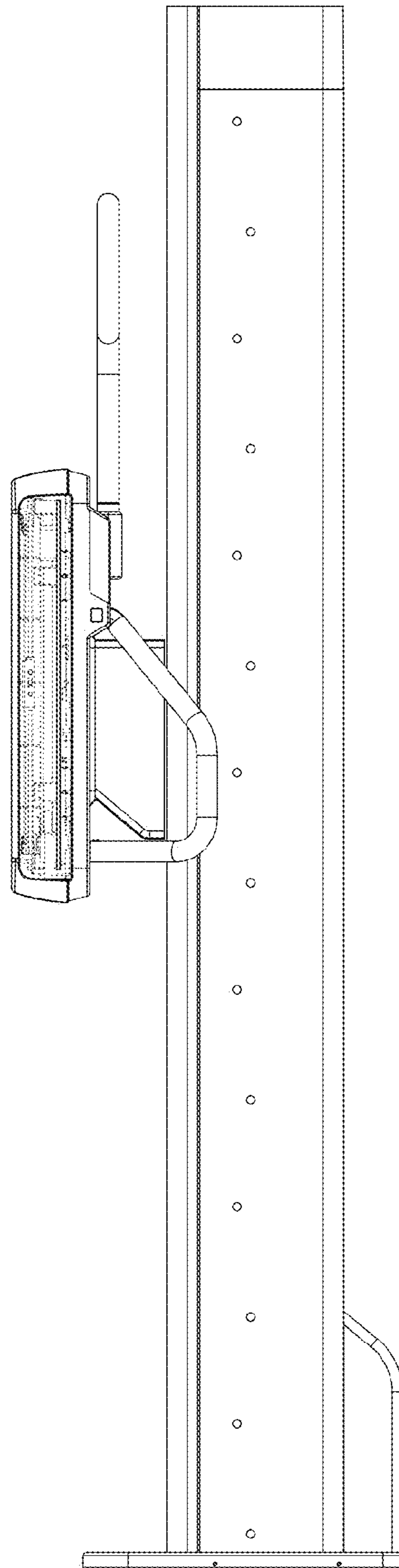


FIG. 3

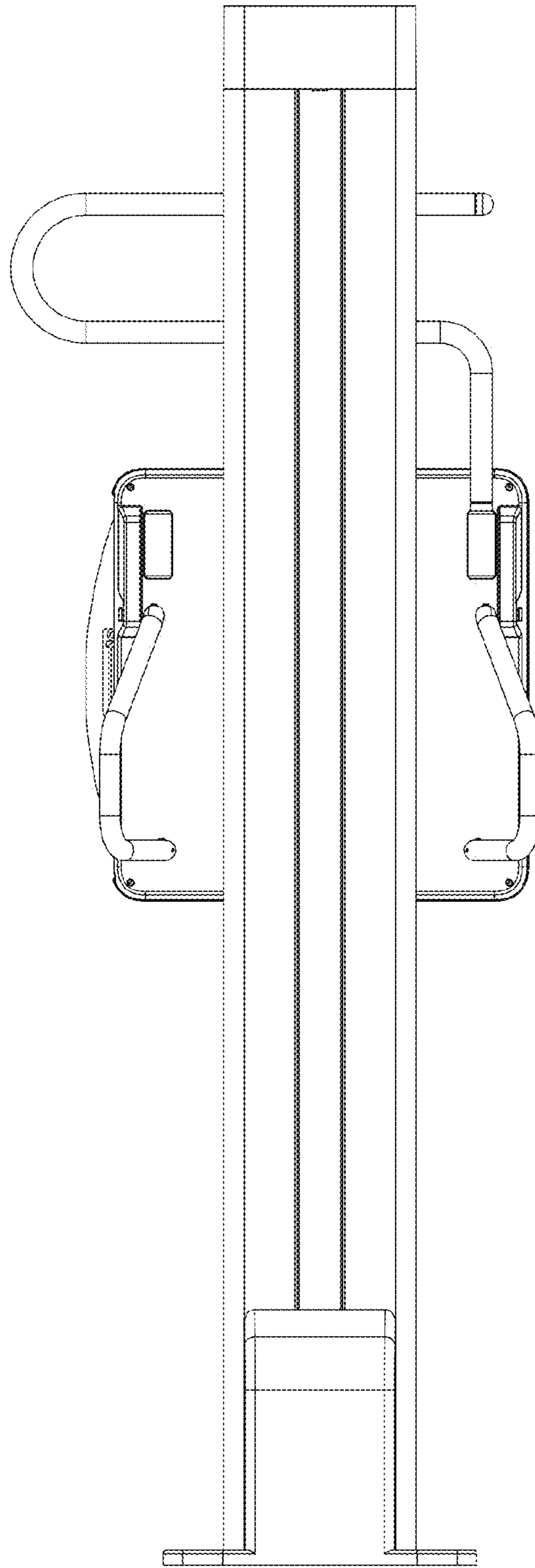


FIG. 4

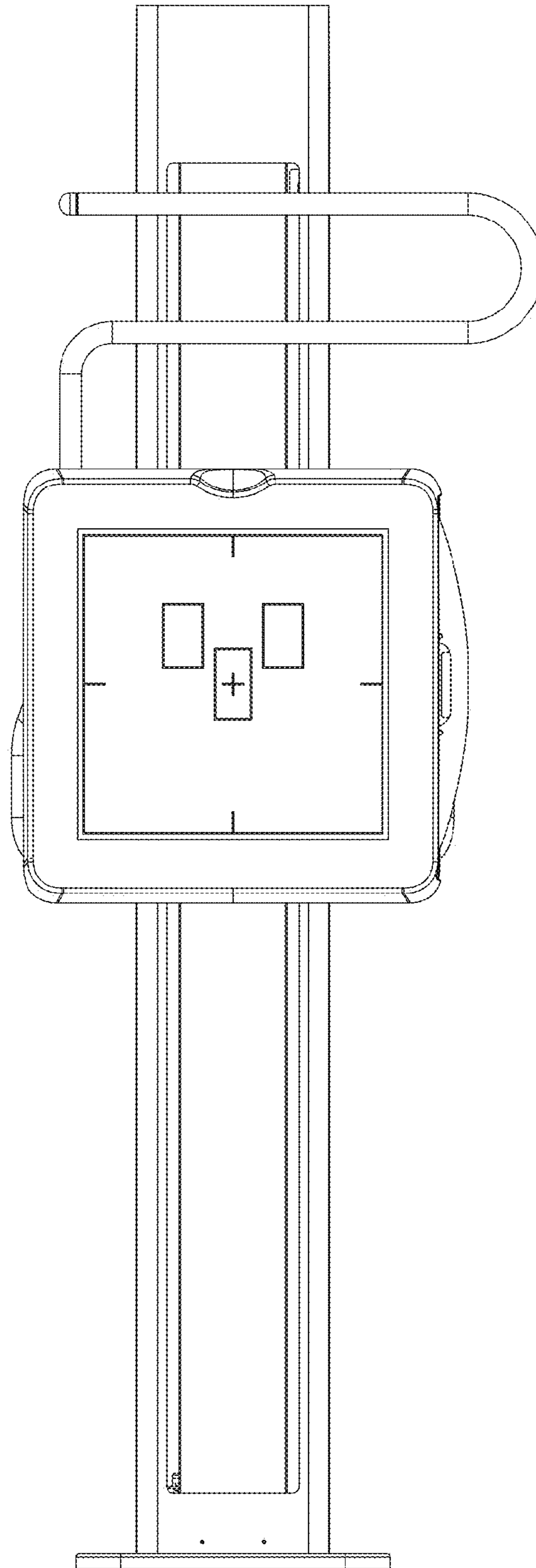


FIG. 5

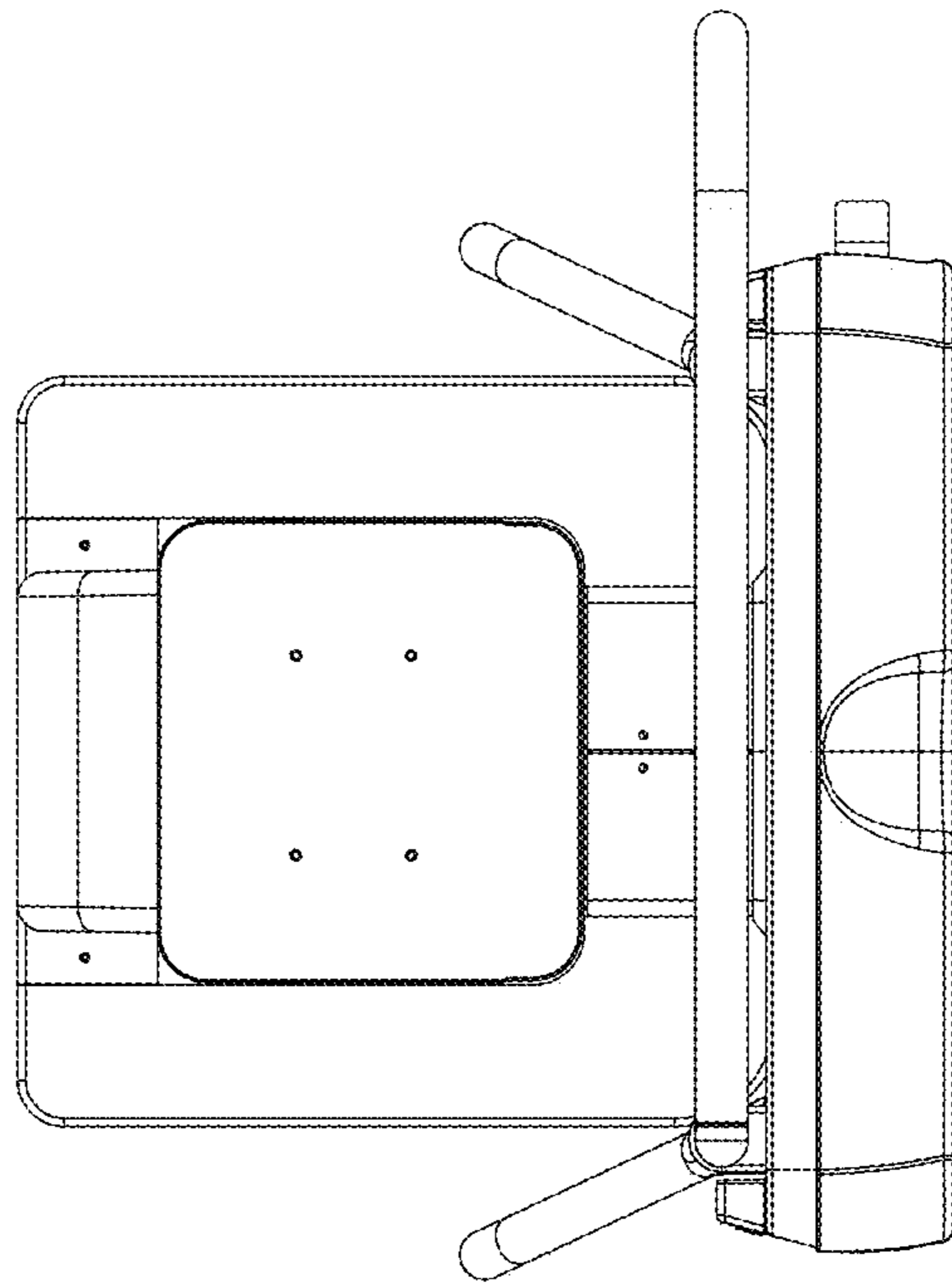


FIG. 6

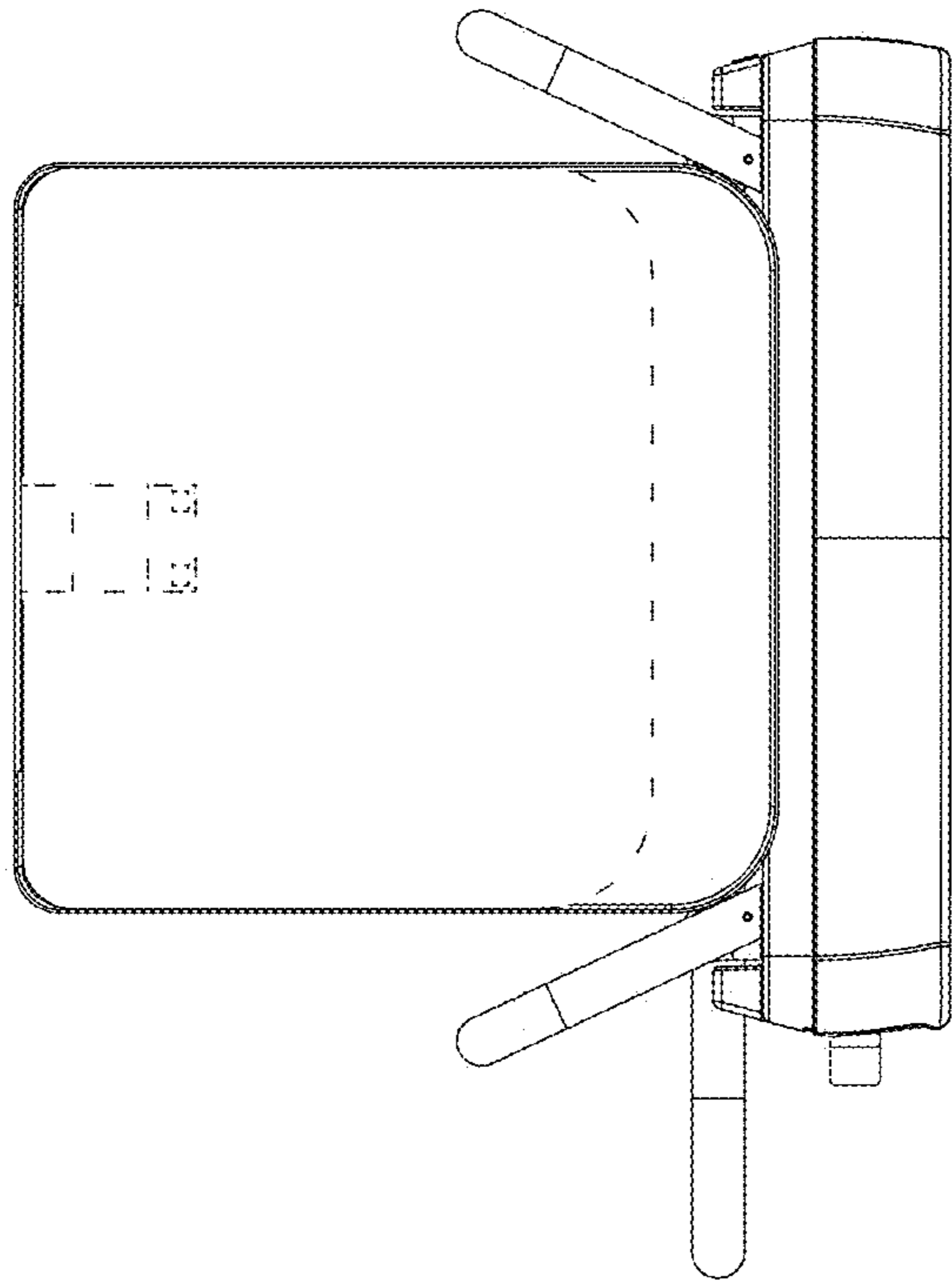


FIG. 7