



US00D715940S

(12) **United States Design Patent**
Li et al.

(10) **Patent No.:** **US D715,940 S**
(45) **Date of Patent:** **** Oct. 21, 2014**

(54) **X-RAY TUBE STAND**

(71) Applicant: **Shanghai United Imaging Healthcare Co., Ltd.**, Shanghai (CN)

(72) Inventors: **Qing Li**, Shanghai (CN); **Zhongyang Zheng**, Shanghai (CN); **Minkai Liu**, Shanghai (CN)

(73) Assignee: **Shanghai United Imaging Healthcare Co., Ltd.**, Shanghai (CN)

(**) Term: **14 Years**

(21) Appl. No.: **29/461,482**

(22) Filed: **Jul. 23, 2013**

(30) **Foreign Application Priority Data**

Jan. 24, 2013 (CN) 2013 3 0021804

(51) **LOC (10) Cl.** **24-01**

(52) **U.S. Cl.**
USPC **D24/158**

(58) **Field of Classification Search**
USPC D24/158-161, 185, 186; 378/4, 15, 17,
378/20, 21, 23-27, 62, 68, 146, 195-198,
378/57

See application file for complete search history.

(56) **References Cited**

U.S. PATENT DOCUMENTS

D366,701 S *	1/1996	Mazess et al.	D24/159
D609,811 S *	2/2010	Yokoyama et al.	D24/159
D624,186 S *	9/2010	Youn	D24/158
7,949,094 B2 *	5/2011	Ahn	378/57
8,475,040 B2 *	7/2013	Sanchez Calvo et al.	378/196
D691,723 S *	10/2013	Patil et al.	D24/158

* cited by examiner

Primary Examiner — Anhdao Doan

(74) *Attorney, Agent, or Firm* — Houtteman Law LLC

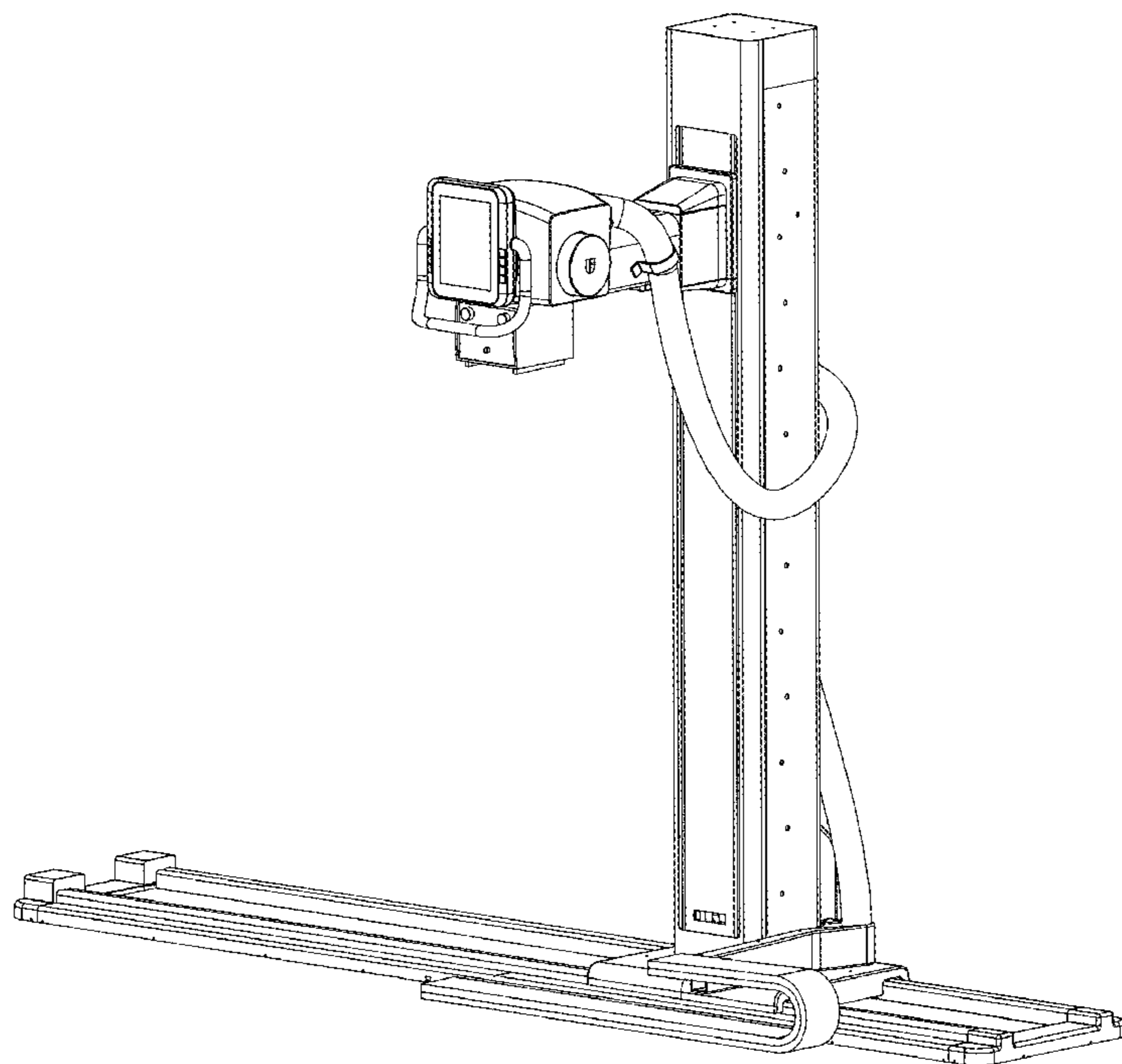
(57) **CLAIM**

The ornamental design for a X-ray tube stand, as shown and described.

DESCRIPTION

FIG. 1 is a perspective view of a X-ray tube stand showing our new design;
FIG. 2 is a front side view of the X-ray tube stand shown in FIG. 1;
FIG. 3 is a rear side view of the X-ray tube stand shown in FIG. 1;
FIG. 4 is a left side view of the X-ray tube stand shown in FIG. 1;
FIG. 5 is a right side view of the X-ray tube stand shown in FIG. 1;
FIG. 6 is a top view of the X-ray tube stand shown in FIG. 1; and,
FIG. 7 is a bottom view of the X-ray tube stand shown in FIG. 1.

1 Claim, 7 Drawing Sheets



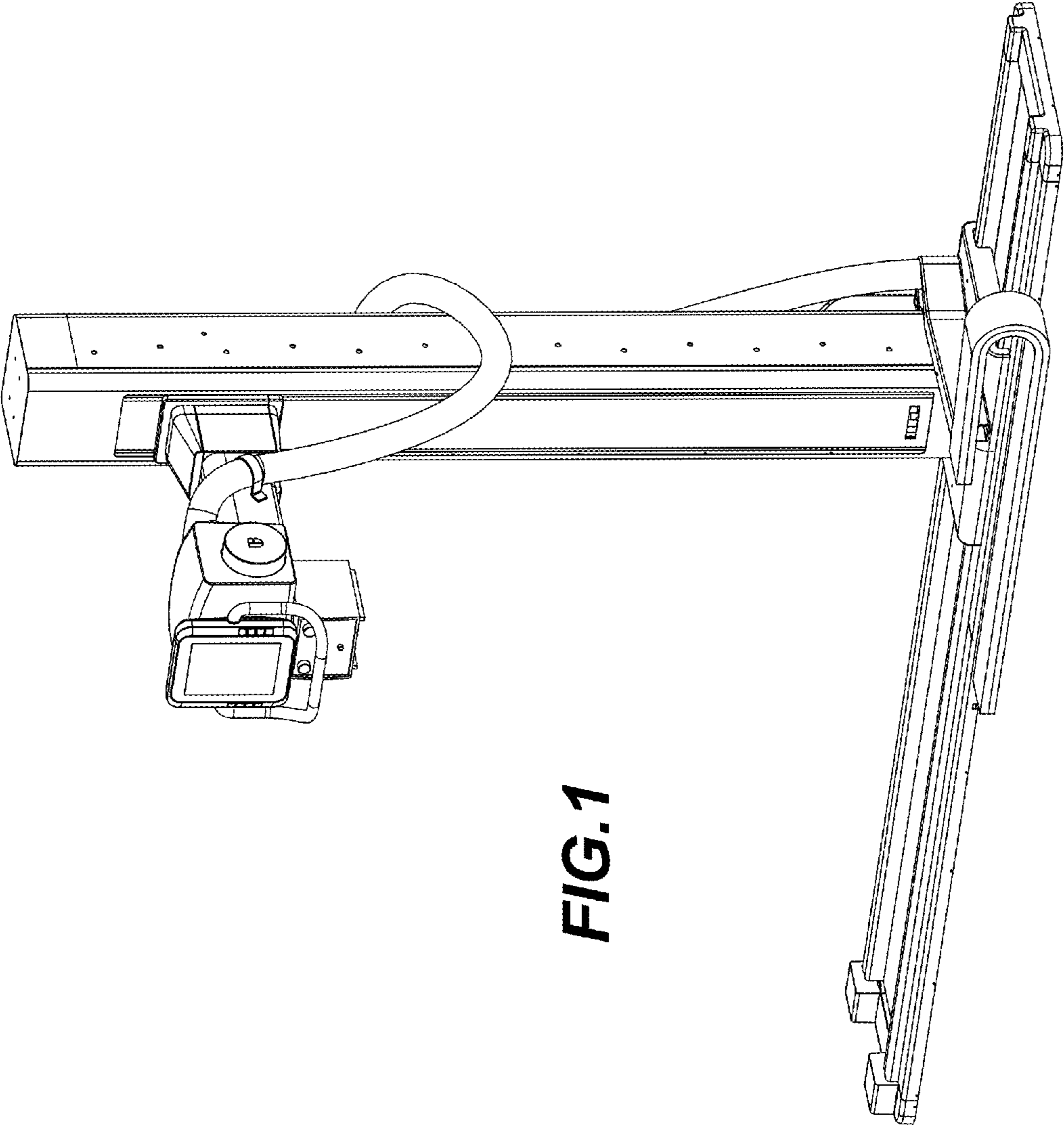


FIG. 1

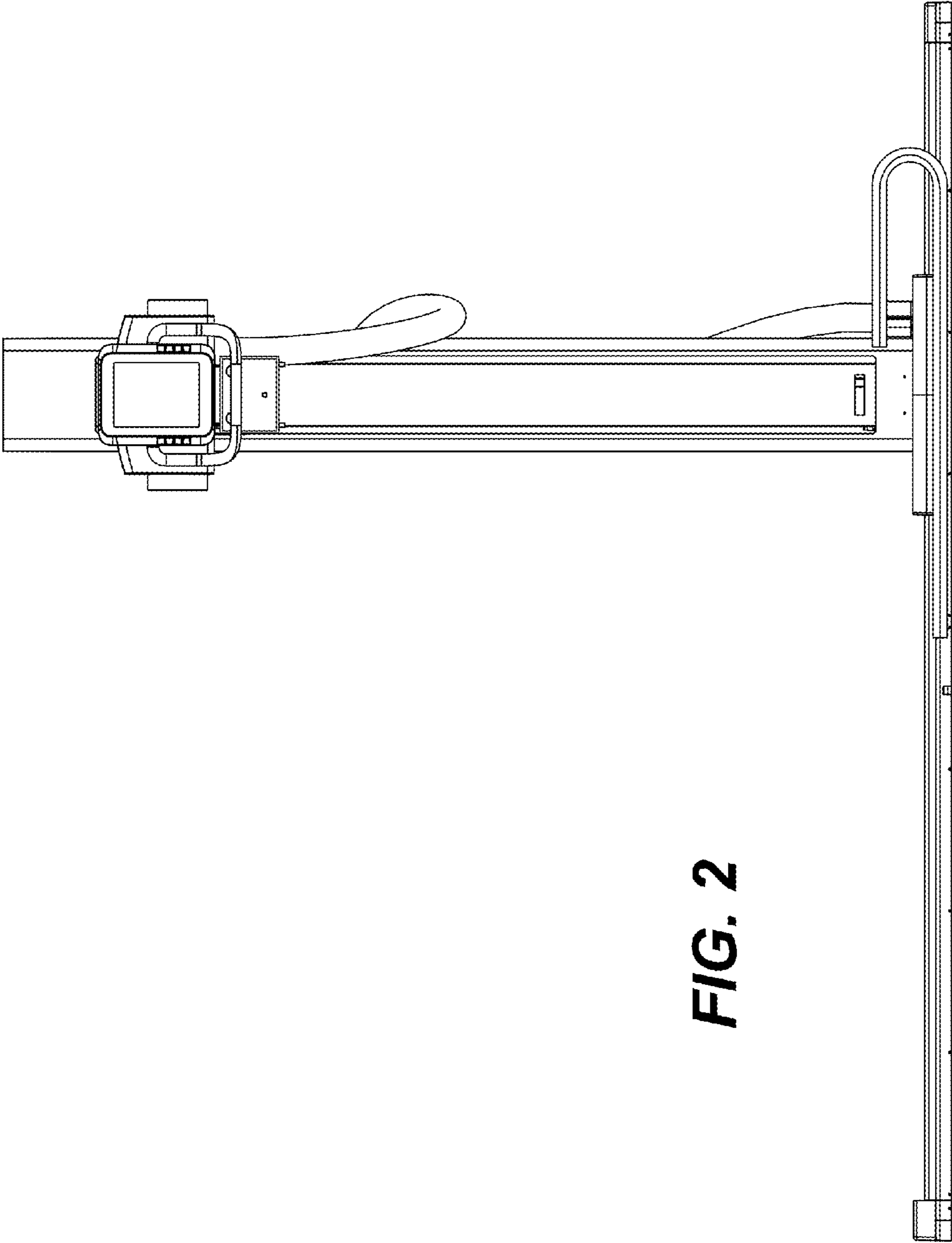


FIG. 2

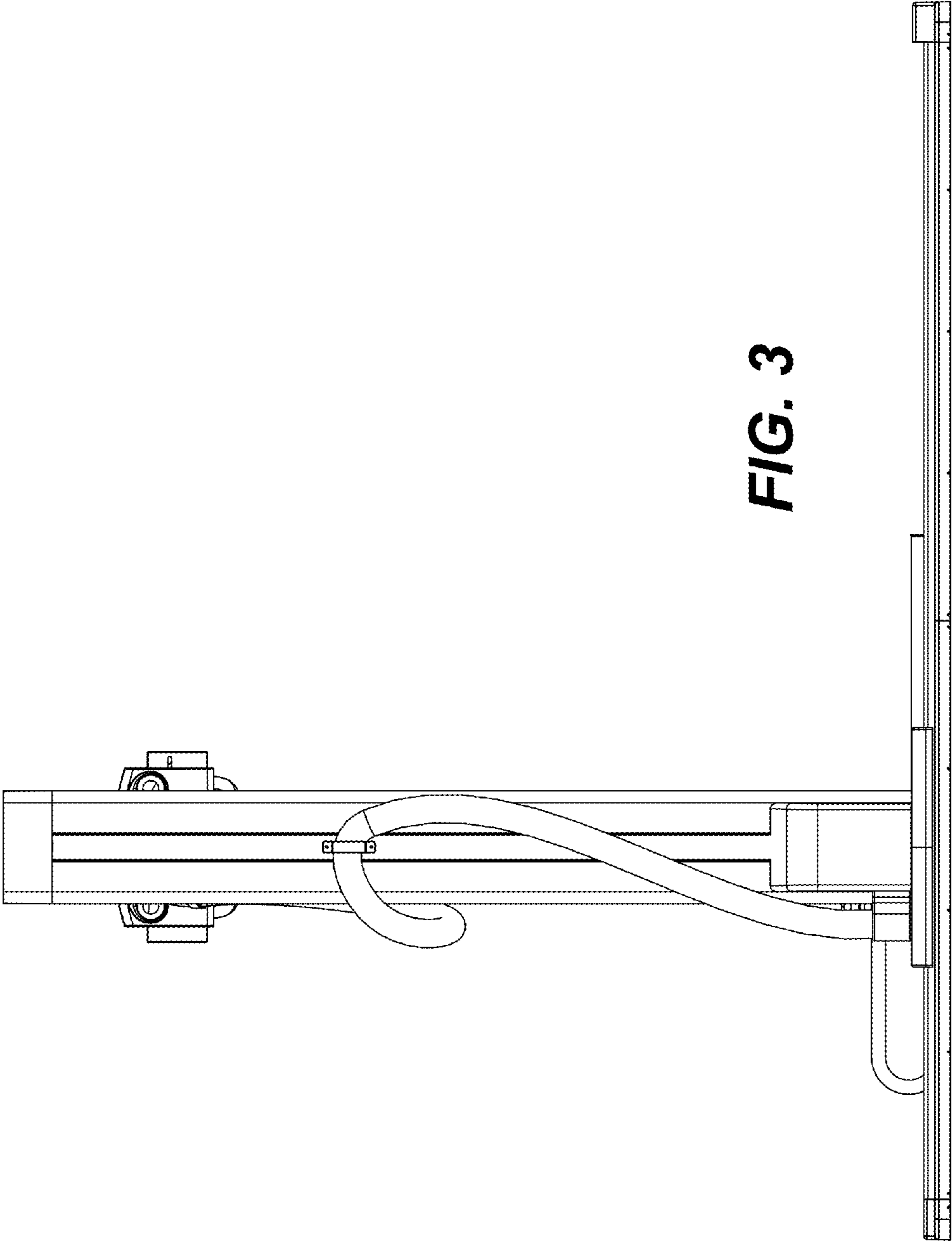


FIG. 3

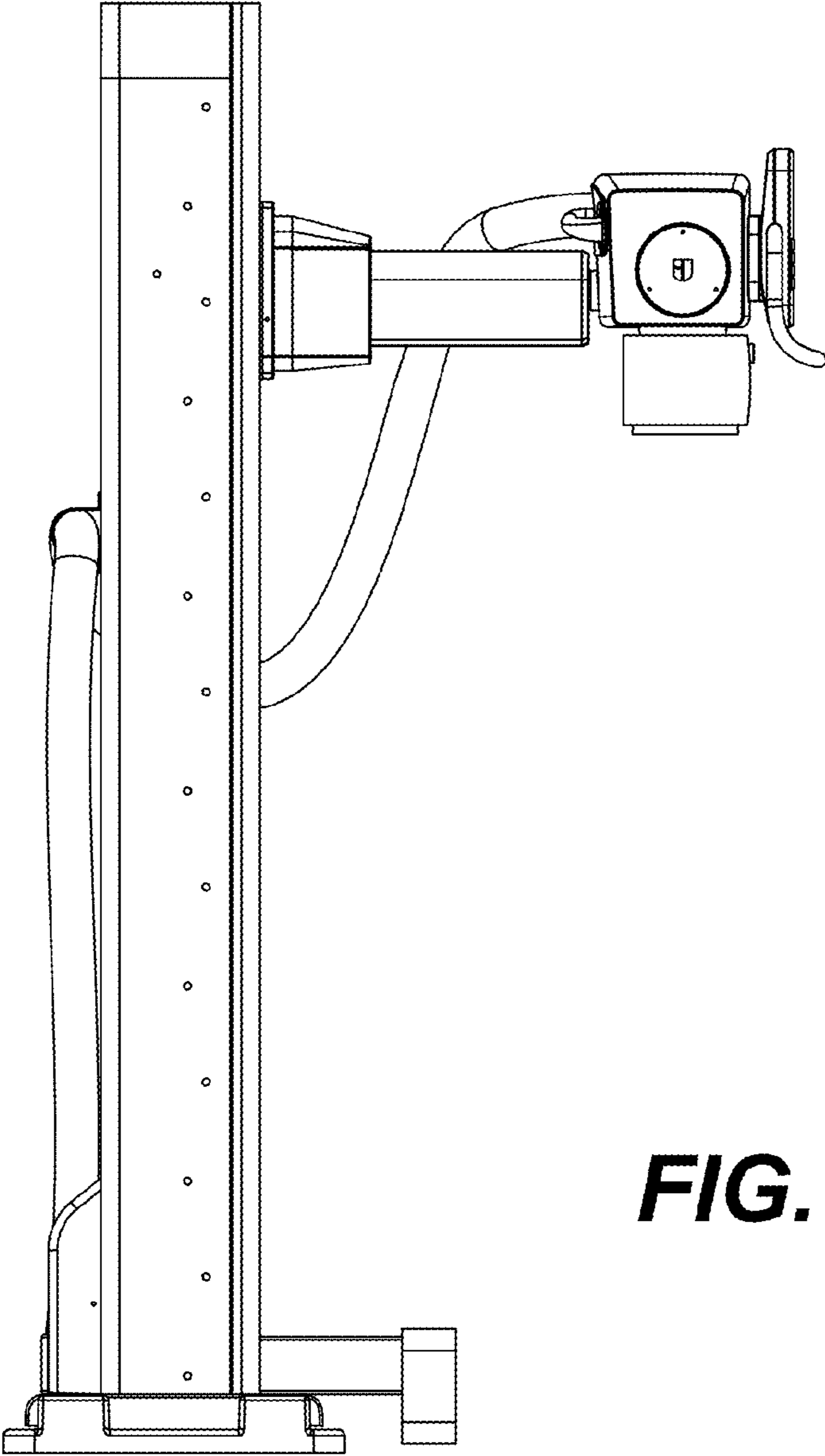


FIG. 4

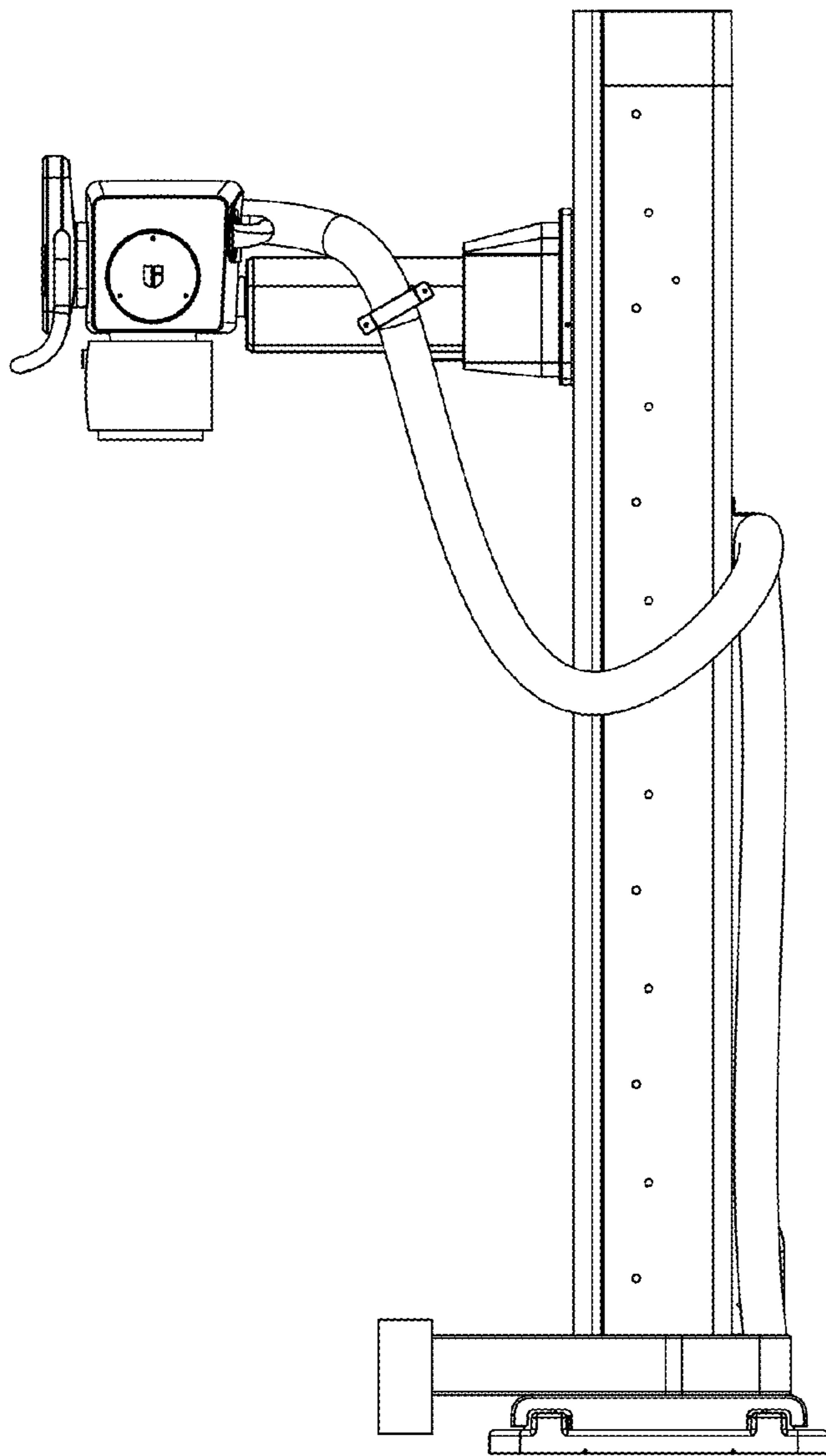


FIG. 5

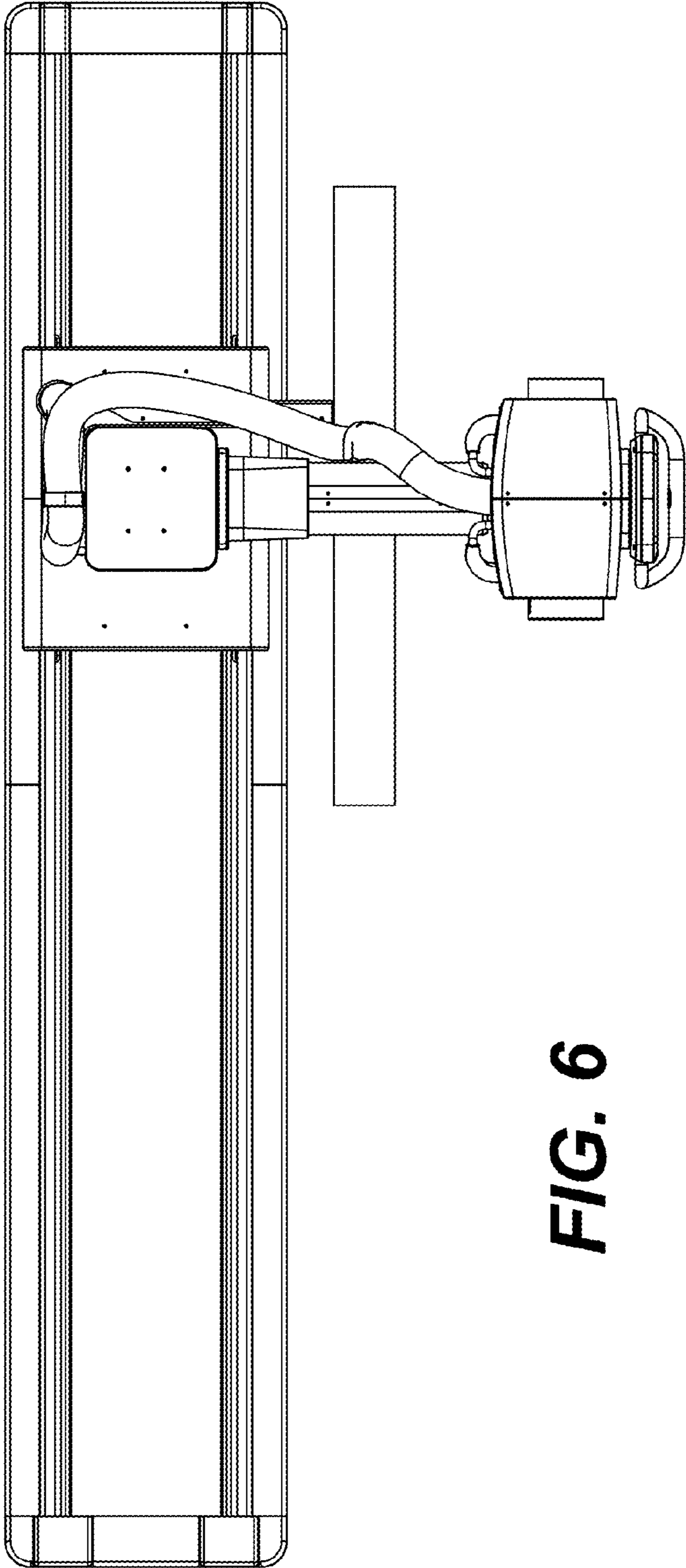


FIG. 6

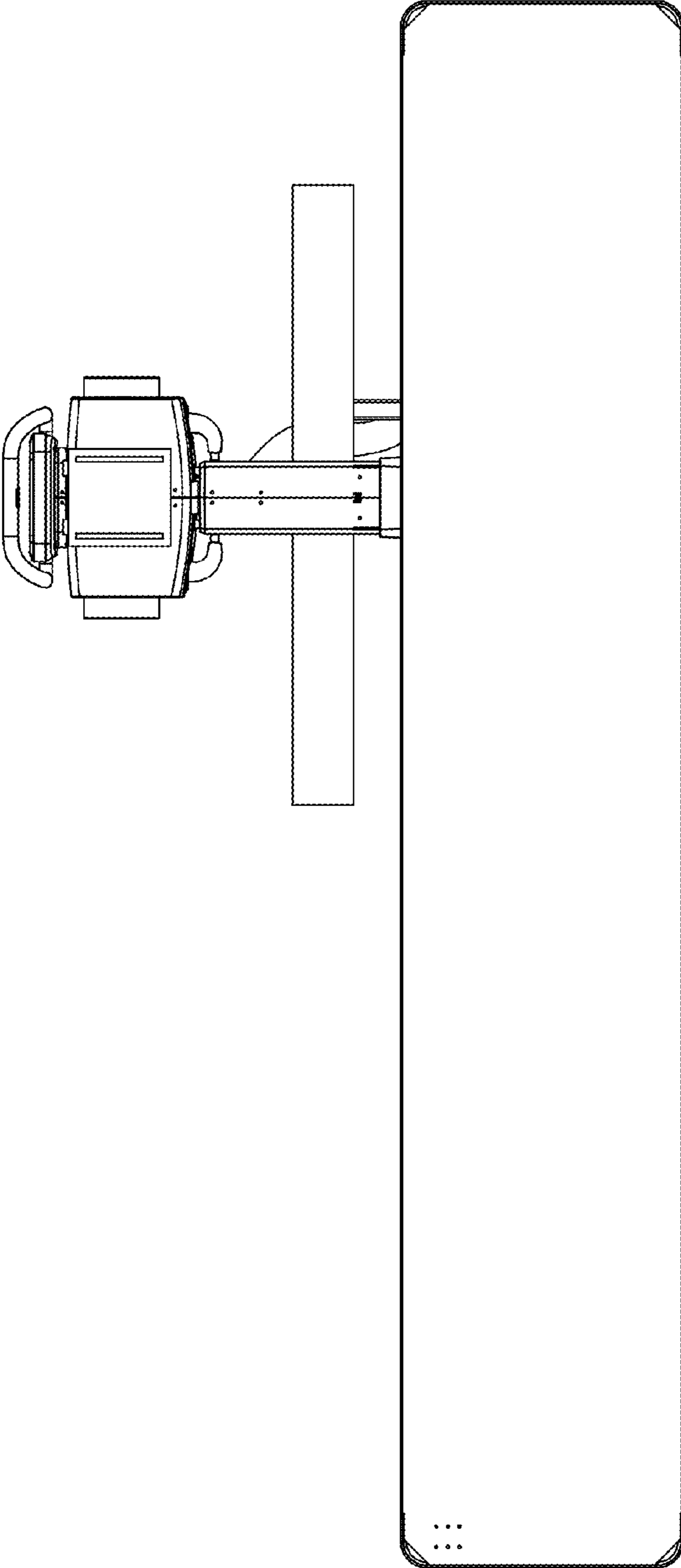


FIG. 7