



US00D715938S

(12) **United States Design Patent**
Li et al.

(10) **Patent No.:** **US D715,938 S**
(45) **Date of Patent:** **** Oct. 21, 2014**

(54) **WALL STAND FOR MEDICAL IMAGING FIELD**

(71) Applicant: **Shanghai United Imaging Healthcare Co., Ltd.**, Shanghai (CN)

(72) Inventors: **Qing Li**, Shanghai (CN); **Minkai Liu**, Shanghai (CN)

(73) Assignee: **Shanghai United Imaging Healthcare Co., Ltd.**, Shanghai (CN)

(**) Term: **14 Years**

(21) Appl. No.: **29/444,548**

(22) Filed: **Jan. 31, 2013**

(30) **Foreign Application Priority Data**

Aug. 30, 2012 (CN) 2012 3 0414701

(51) **LOC (10) Cl.** **24-01**

(52) **U.S. Cl.**
USPC **D24/158**

(58) **Field of Classification Search**
USPC D24/158-161, 185, 186; 378/4, 15, 17,
378/20, 21, 23-27, 62, 68, 146, 195-198,
378/57

See application file for complete search history.

(56) **References Cited**

U.S. PATENT DOCUMENTS

D487,804 S * 3/2004 Kondo D24/158
D487,805 S * 3/2004 Kondo D24/158

D554,755 S * 11/2007 Iwasaki et al. D24/158
D624,186 S * 9/2010 Youn D24/158
7,949,094 B2 * 5/2011 Ahn 378/57
D659,833 S * 5/2012 Ogura D24/158
D671,217 S * 11/2012 Moon et al. D24/158
D683,021 S * 5/2013 Moon et al. D24/158
2008/0279331 A1 * 11/2008 Huang 378/68

* cited by examiner

Primary Examiner — Anhdao Doan

(74) *Attorney, Agent, or Firm* — Houtteman Law LLC

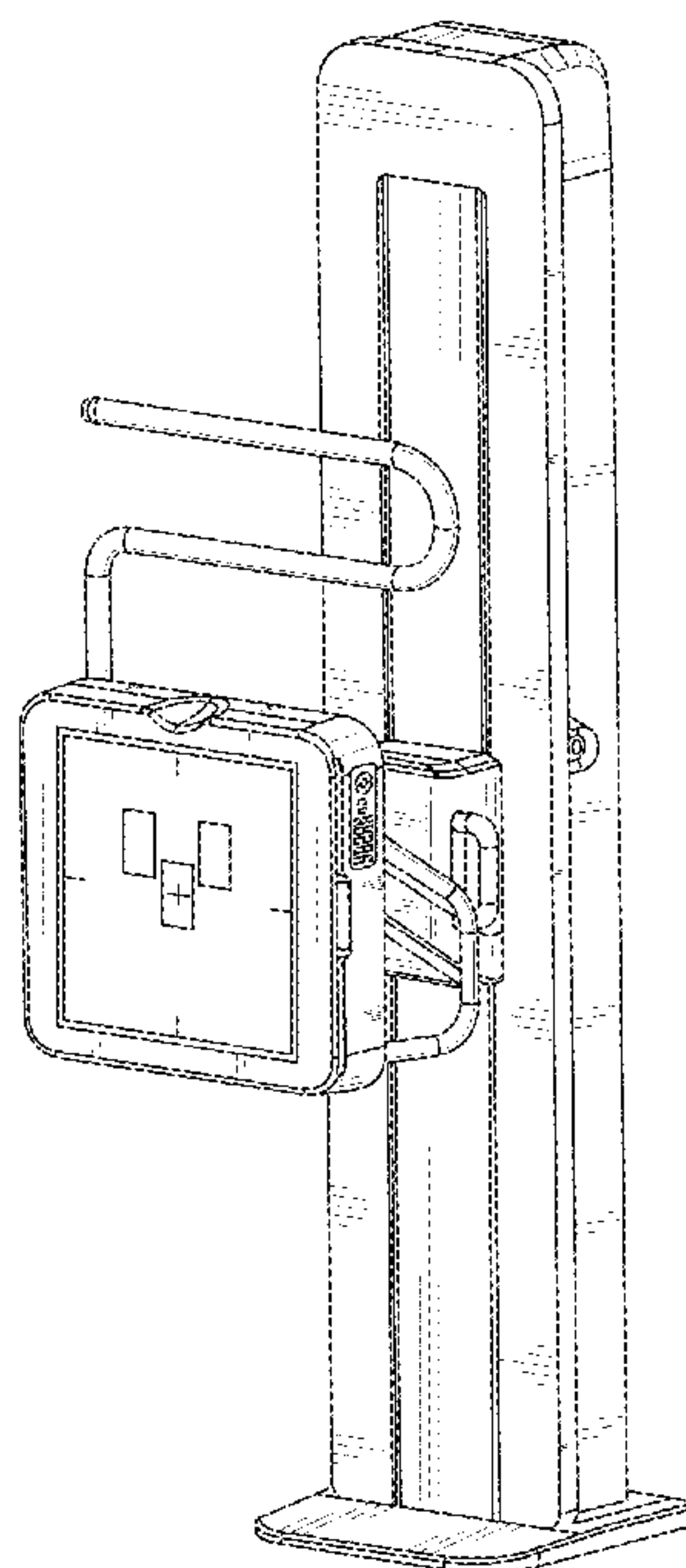
(57) **CLAIM**

The ornamental design for a wall stand for medical imaging field, as shown and described.

DESCRIPTION

FIG. 1 is a perspective view of a wall stand for medical imaging field showing my new design;
FIG. 2 is a front side view of the wall stand for medical imaging field shown in FIG. 1;
FIG. 3 is a rear side view of the wall stand for medical imaging field shown in FIG. 1;
FIG. 4 is a right side view of the wall stand for medical imaging field shown in FIG. 1;
FIG. 5 is a left side view of the wall stand for medical imaging field shown in FIG. 1;
FIG. 6 is a top view of the wall stand for medical imaging field shown in FIG. 1; and,
FIG. 7 is a bottom view of the wall stand for medical imaging field shown in FIG. 1.
The portions of the wall stand for medical imaging field shown in broken lines form no part of the claimed design.

1 Claim, 6 Drawing Sheets



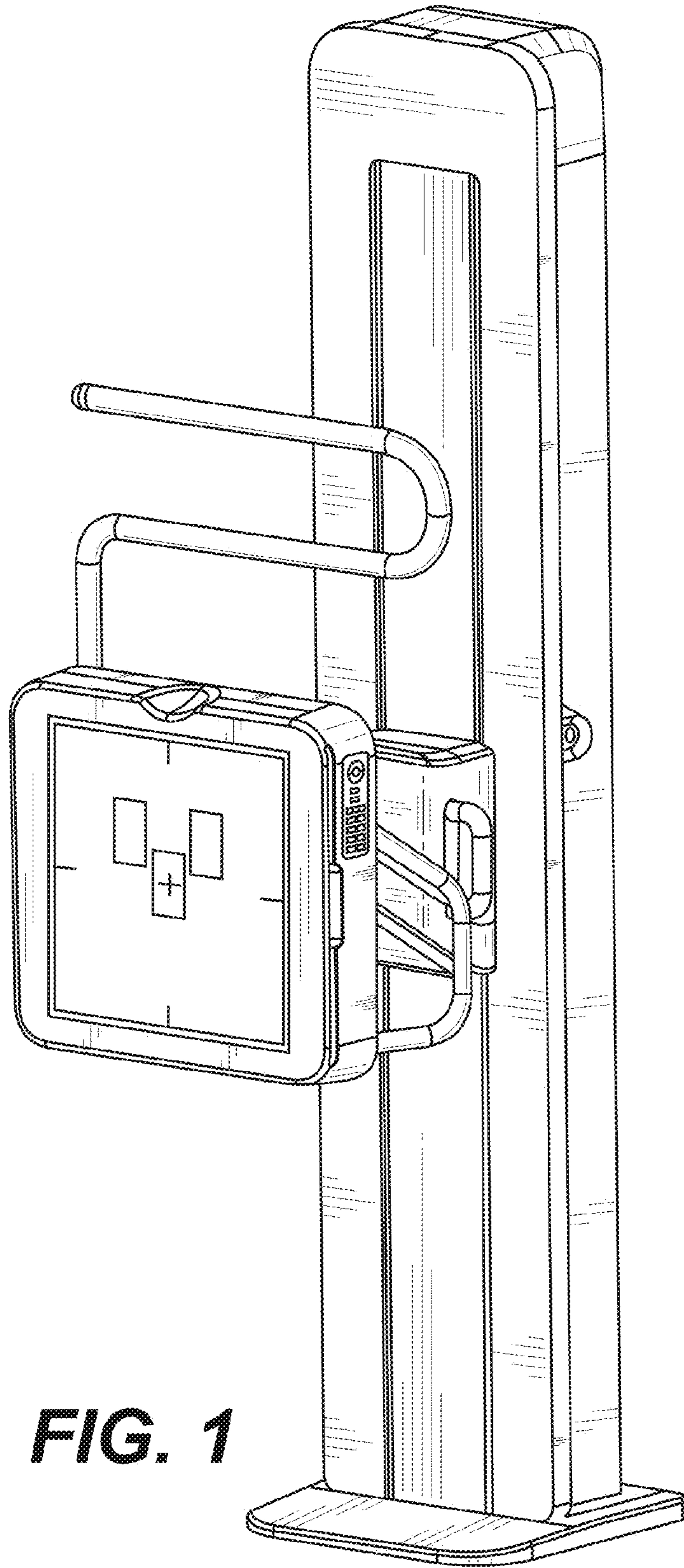


FIG. 1

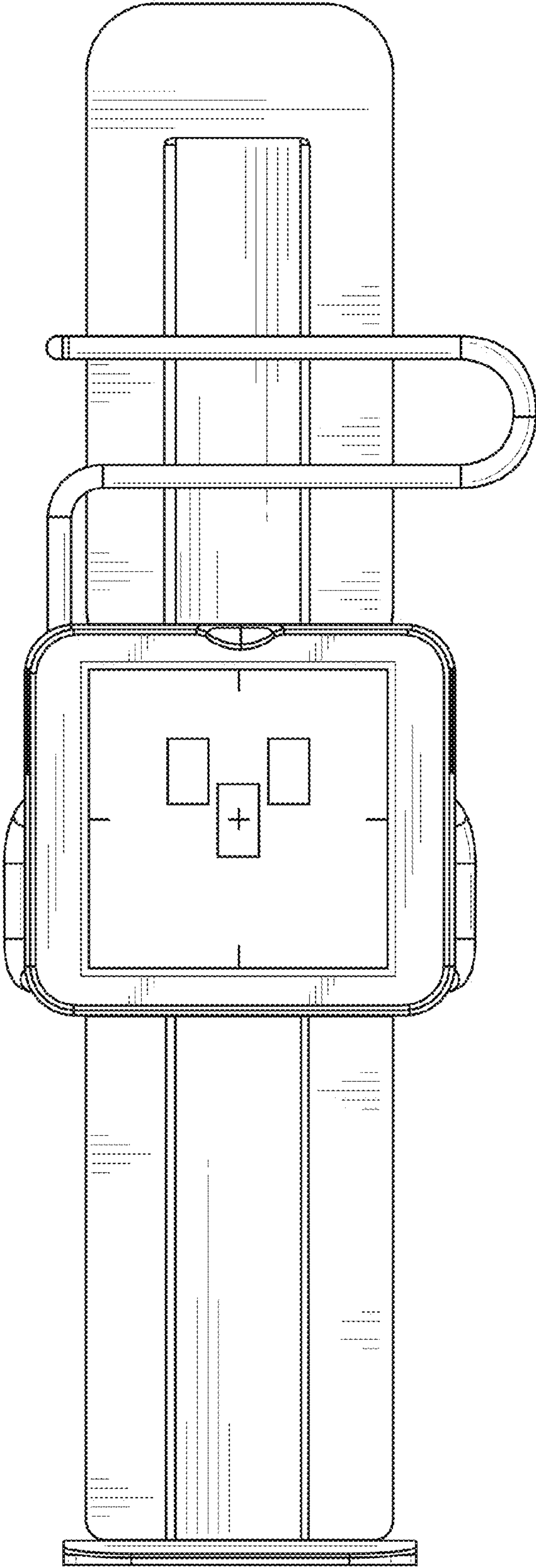


FIG. 2

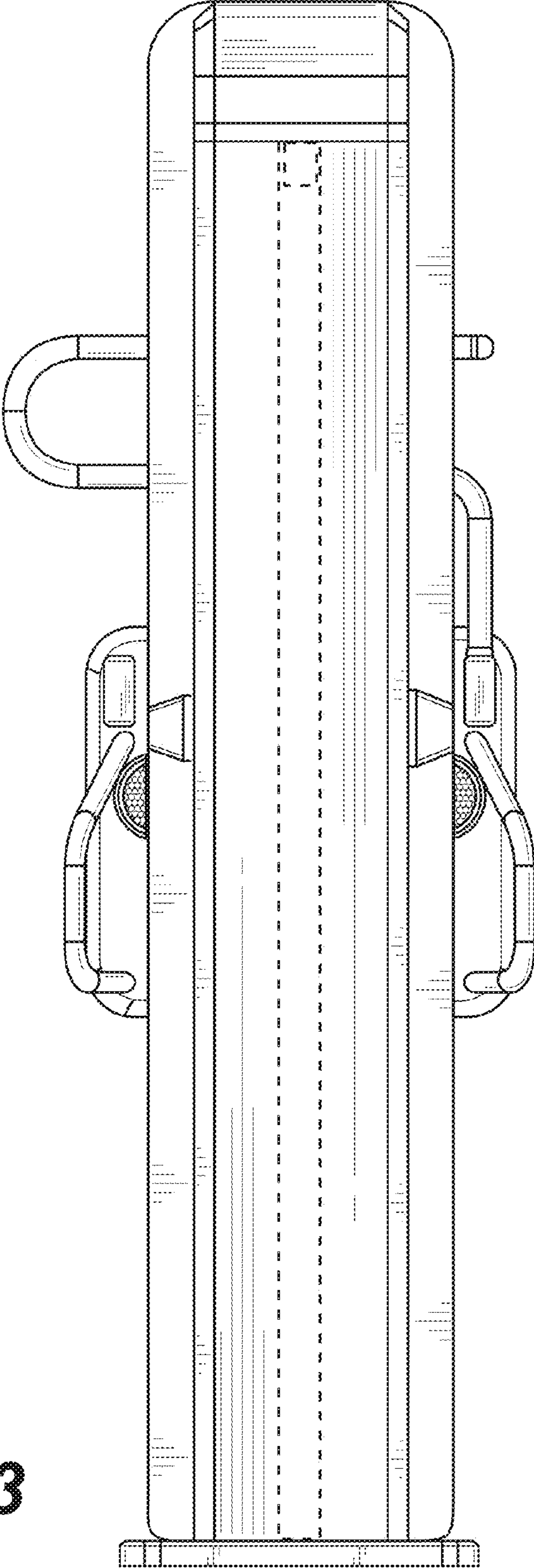


FIG. 3

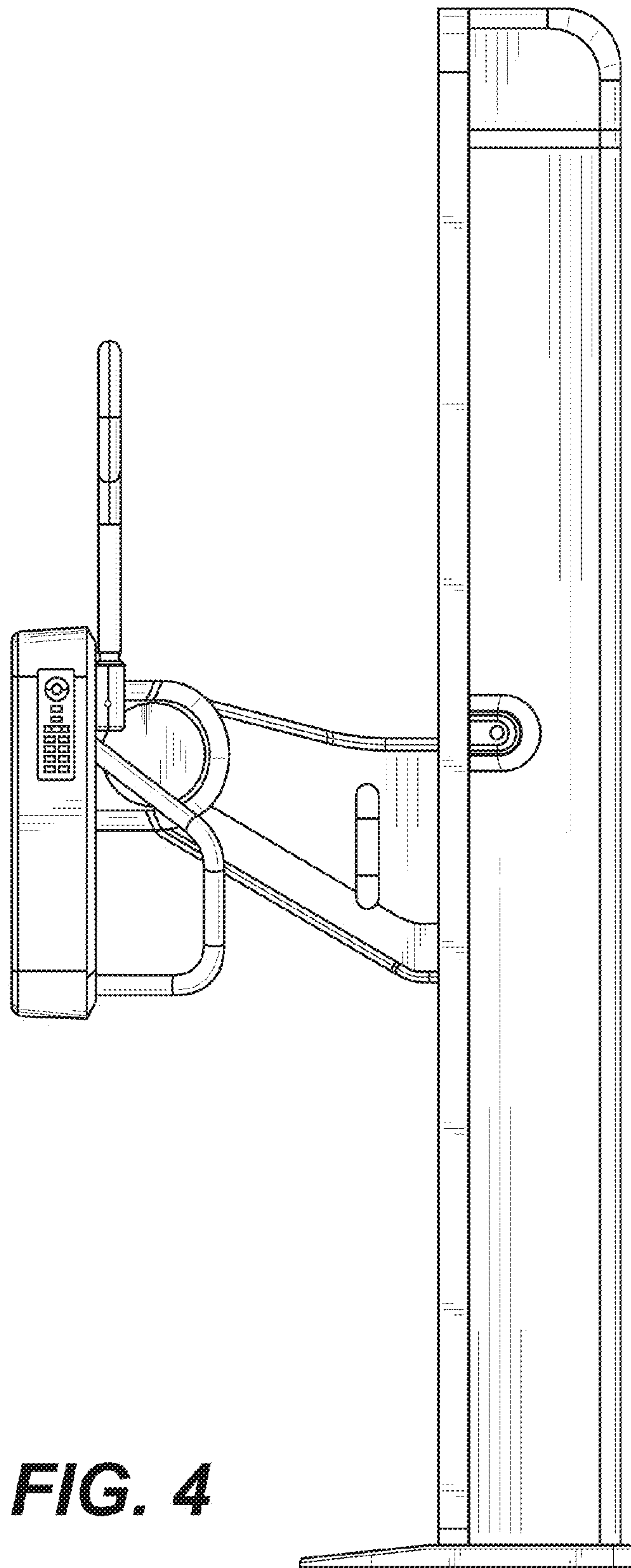


FIG. 4

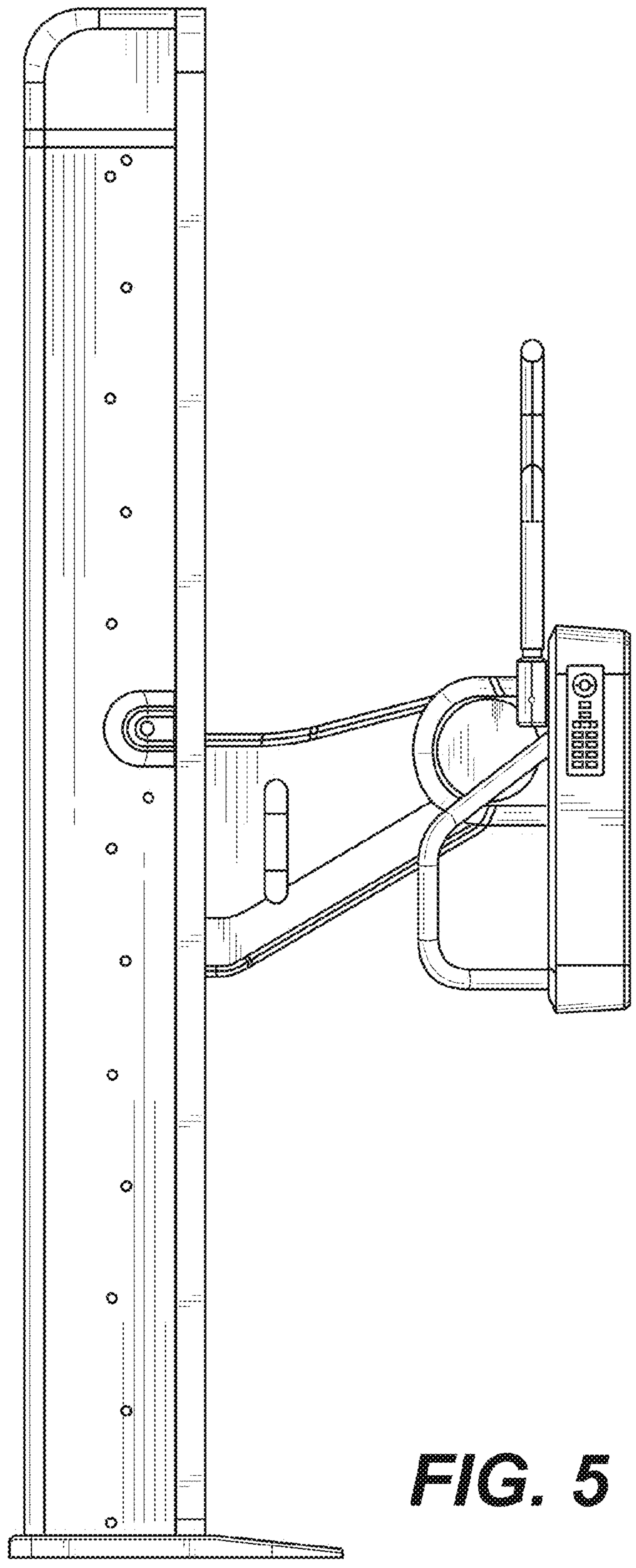


FIG. 5

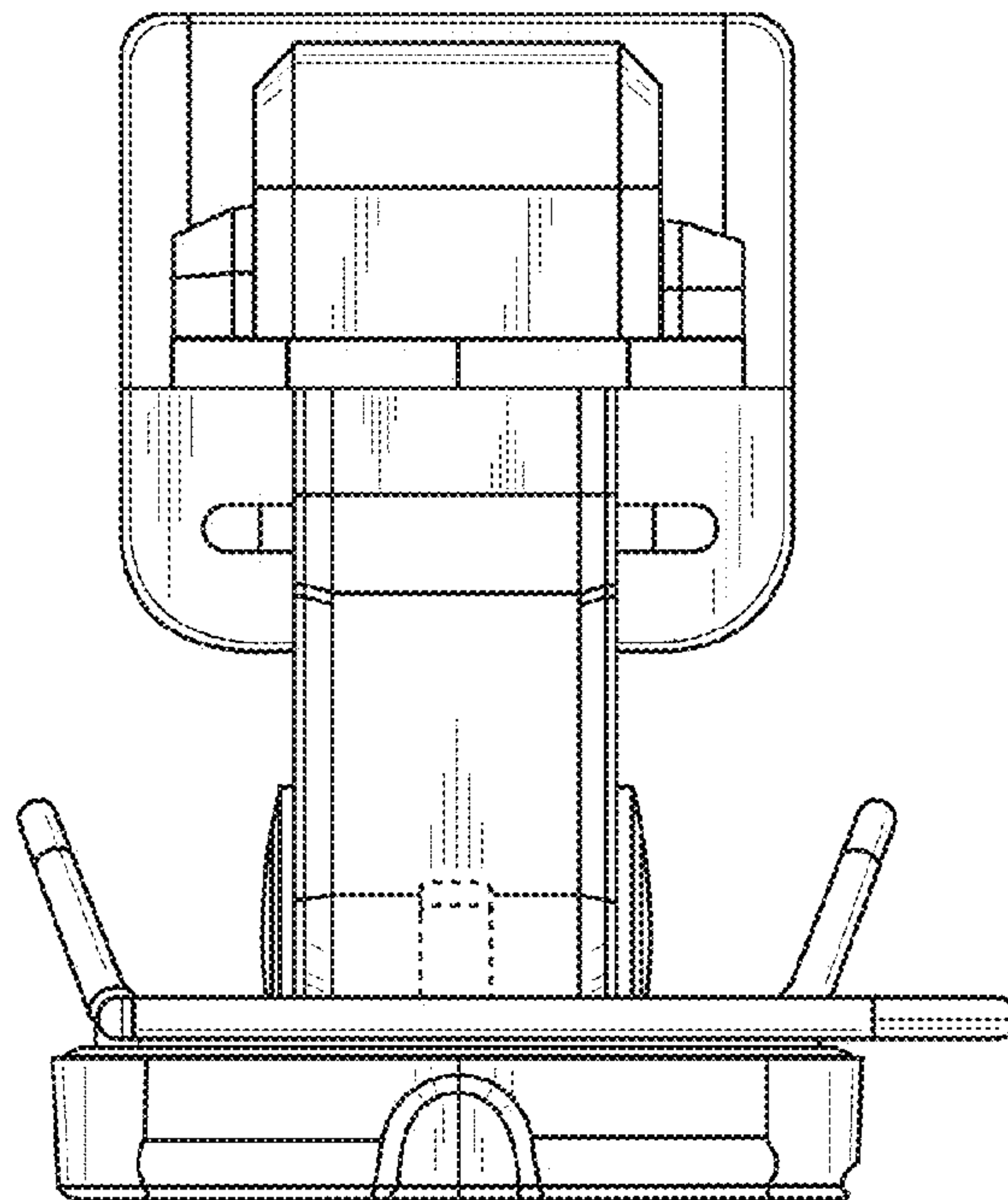


FIG. 6

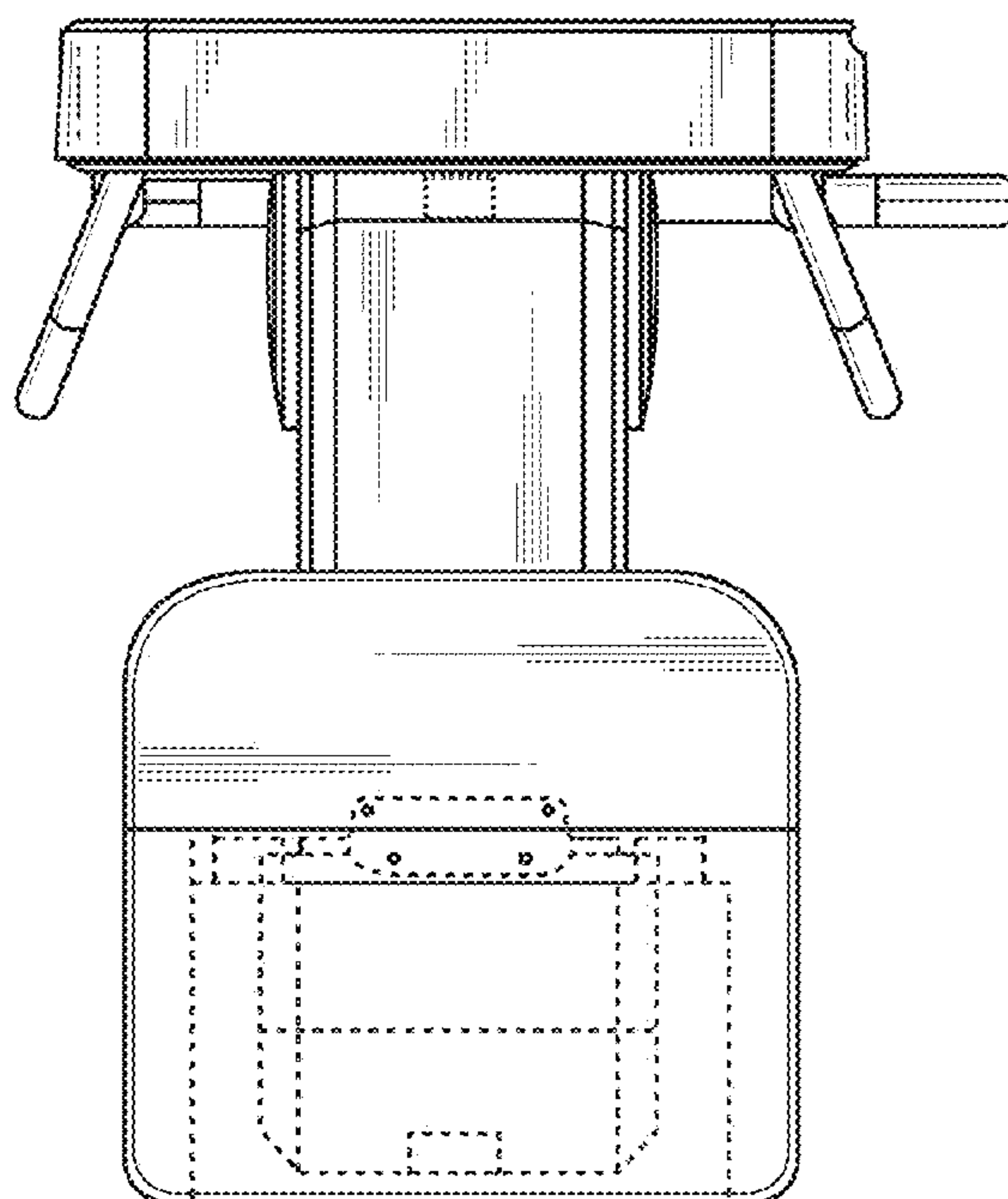


FIG. 7