



US00D715937S

(12) **United States Design Patent**
Pikkula et al.

(10) **Patent No.:** **US D715,937 S**

(45) **Date of Patent:** **** Oct. 21, 2014**

(54) **ORAL CANCER SCREENING DEVICE**

(71) Applicant: **Forward Science, LLC**, Sugar Land, TX (US)

(72) Inventors: **Brian Pikkula**, Sugar Land, TX (US);
Robert Whitman, Houston, TX (US)

(73) Assignee: **Forward Science, LLC**, Sugar Land, TX (US)

(**) Term: **14 Years**

(21) Appl. No.: **29/445,273**

(22) Filed: **Feb. 8, 2013**

(51) **LOC (10) Cl.** **24-02**

(52) **U.S. Cl.**
USPC **D24/152**

(58) **Field of Classification Search**
USPC D24/152, 154, 156, 176–182, 107;
D26/37, 48, 50; 433/29, 37–41, 141,
433/229; 600/476; 362/804, 362, 157, 206
See application file for complete search history.

(56) **References Cited**

U.S. PATENT DOCUMENTS

D521,666 S * 5/2006 Chean D26/37
D578,687 S * 10/2008 Hong D26/37
7,726,863 B2 * 6/2010 Brandstaetter et al. 362/804
7,802,898 B1 9/2010 Gregory et al.

7,996,068 B2 * 8/2011 Telischak et al. 600/476
8,337,201 B1 12/2012 Mace
D683,453 S * 5/2013 Dubey et al. D24/152
2005/0080343 A1 4/2005 Richards-Kortum et al.
2006/0240375 A1 * 10/2006 Soukos et al. 433/29
2009/0323344 A1 12/2009 Crawford et al.
2010/0036260 A1 * 2/2010 Zuluaga et al. 600/476
2010/0216086 A1 * 8/2010 Sylvester et al. 433/29
2010/0254149 A1 10/2010 Gill

FOREIGN PATENT DOCUMENTS

EP 1693021 A1 8/2005
WO 2009097154 A1 8/2009

* cited by examiner

Primary Examiner — Wan Laymon

(74) *Attorney, Agent, or Firm* — Boisbrun Hofman, PLLC

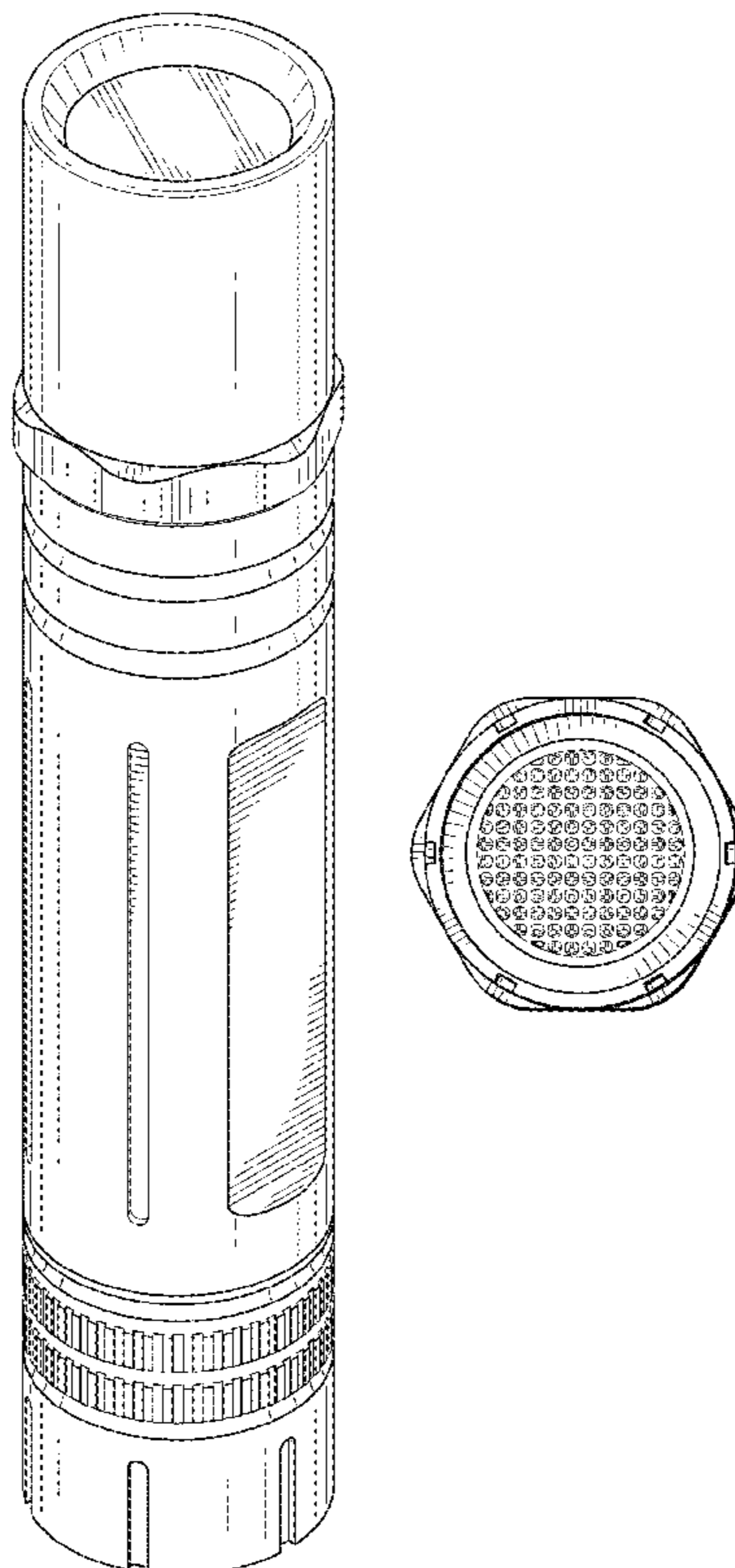
(57) **CLAIM**

The design for the oral cancer screening device, as shown and described.

DESCRIPTION

FIG. 1 is a perspective view of the oral cancer screening device showing our new design; FIG. 2 is a front view of the oral cancer screening device; FIG. 3 is a rear view of the oral cancer screening device; FIG. 4 is a right view of the oral cancer screening device; FIG. 5 is a left view of the oral cancer screening device; FIG. 6 is a top view of the oral cancer screening device; and, FIG. 7 is a bottom view of the oral cancer screening device.

1 Claim, 4 Drawing Sheets



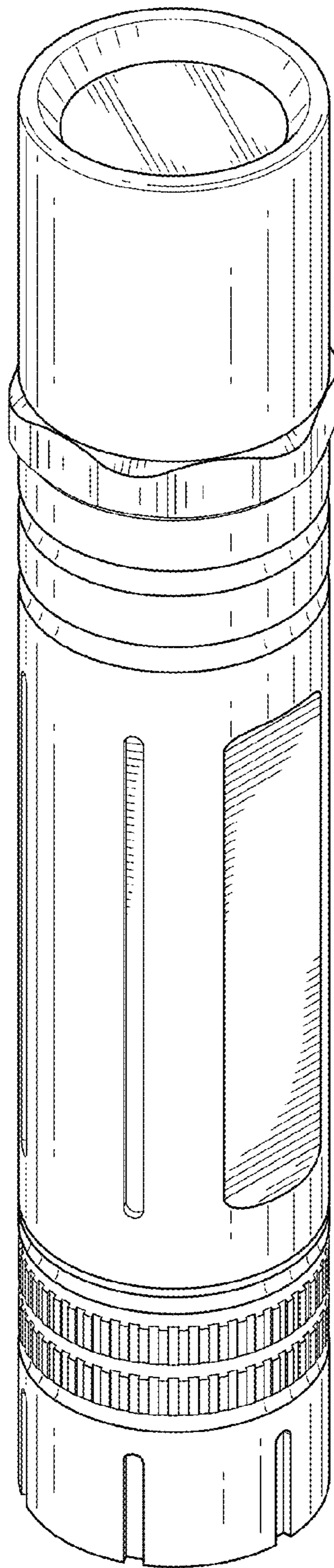


FIG. 1

FIG. 2

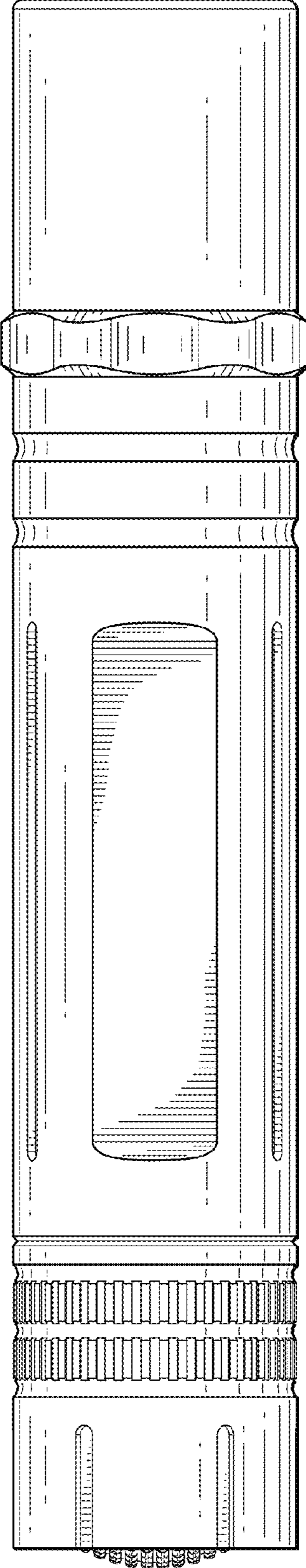


FIG. 3

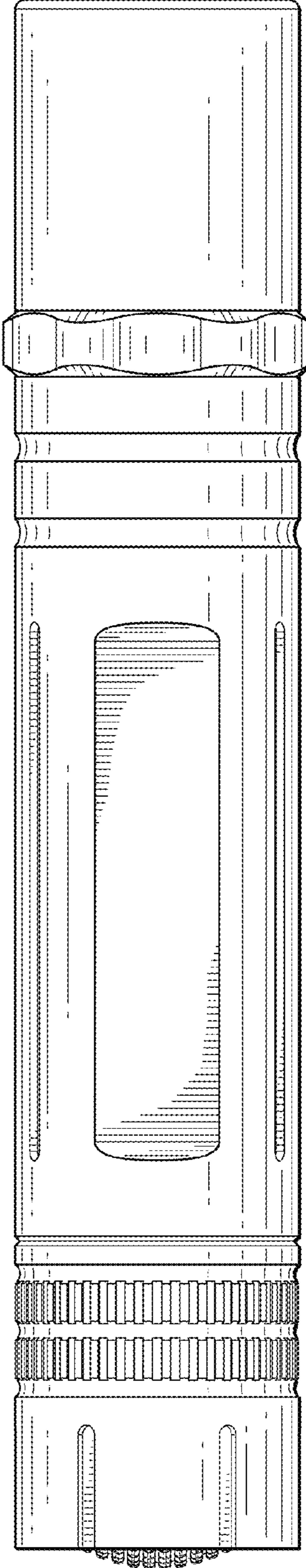


FIG. 4

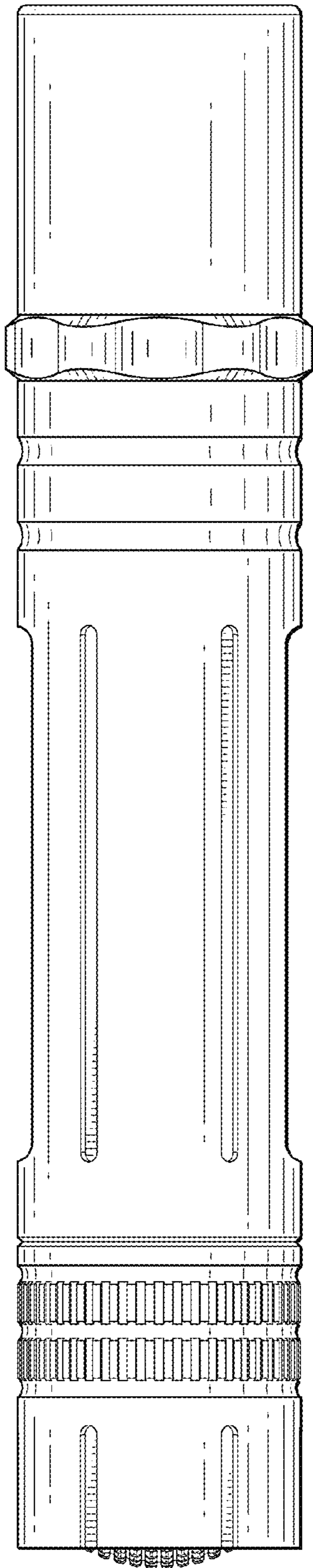
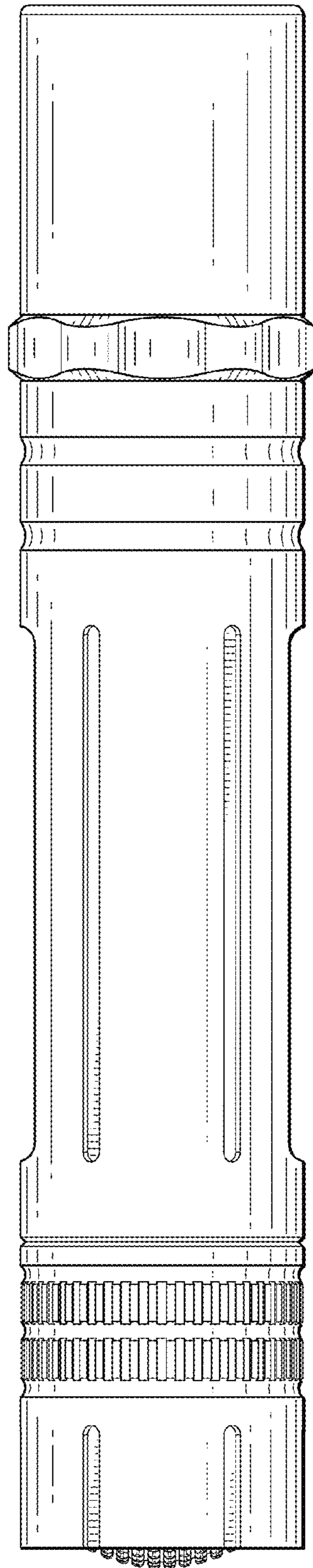


FIG. 5



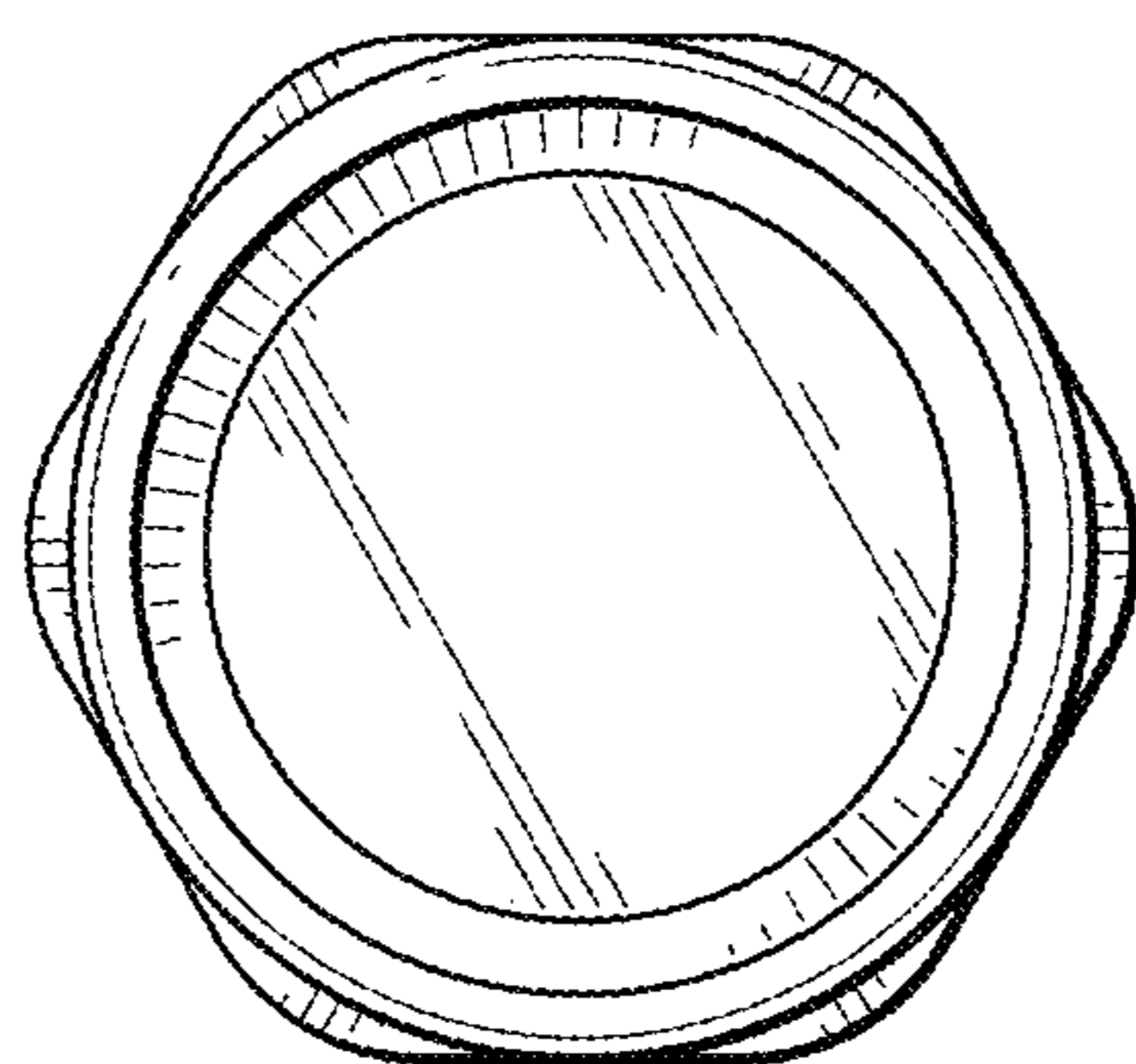


FIG. 6

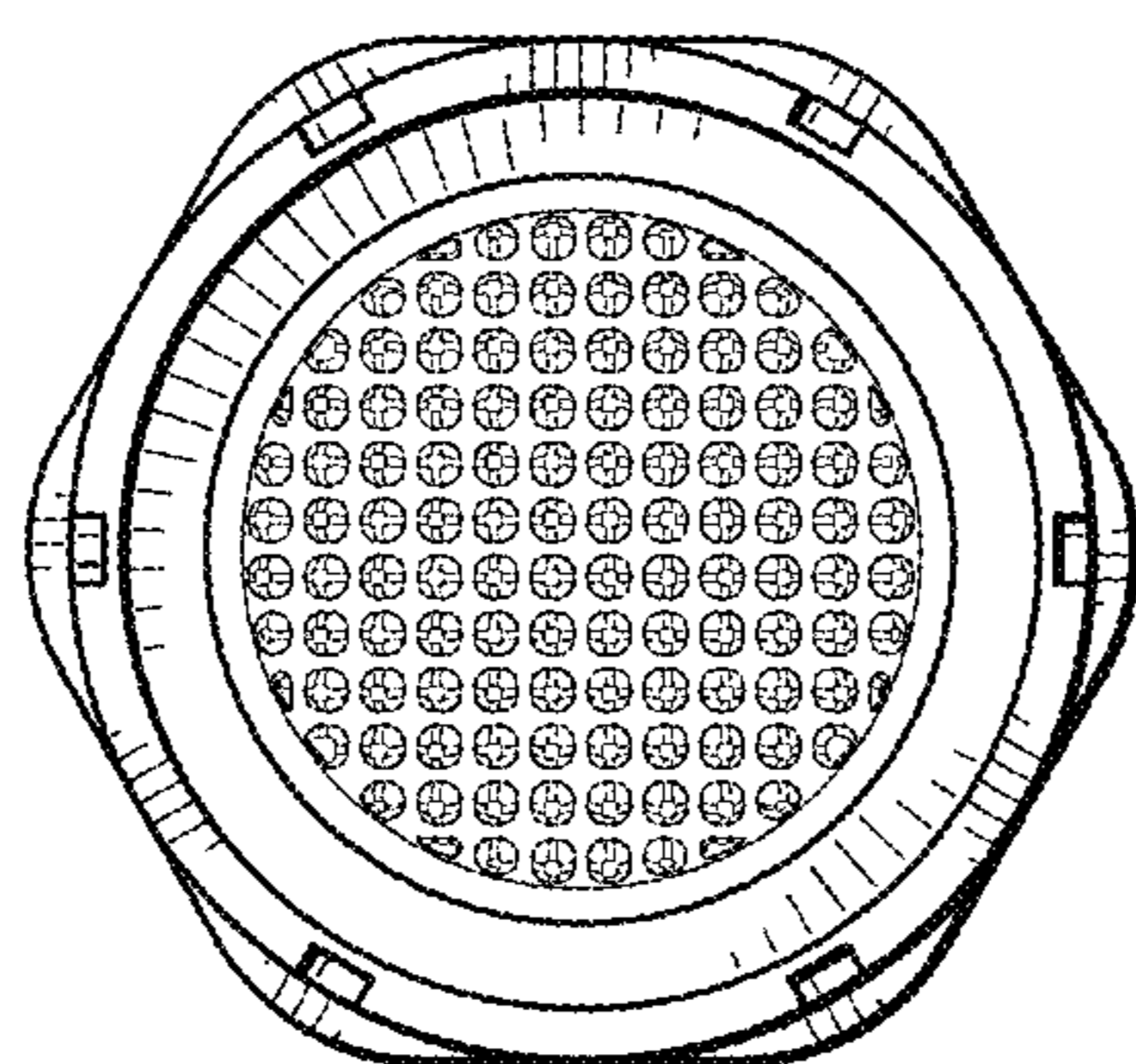


FIG. 7