



US00D715929S

(12) **United States Design Patent**  
**Khalaj**

(10) **Patent No.:** **US D715,929 S**  
(45) **Date of Patent:** **\*\* Oct. 21, 2014**

(54) **CATHETER STRAIN RELIEF CLIP**

FOREIGN PATENT DOCUMENTS

(71) Applicant: **Kimberly-Clark Worldwide, Inc.**,  
Neenah, WI (US)

EP 0 574 961 A1 12/1993  
EP 0 931 560 A1 7/1999

(72) Inventor: **Steve Saeed Khalaj**, Laguna Hills, CA  
(US)

\* cited by examiner

(73) Assignee: **Kimberly-Clark Worldwide, Inc.**,  
Neenah, WI (US)

*Primary Examiner* — Robert Delehanty

(74) *Attorney, Agent, or Firm* — Dority & Manning, P.A.

(\*\*) Term: **14 Years**

(57) **CLAIM**

The ornamental design for a catheter strain relief clip, as shown and described.

(21) Appl. No.: **29/473,779**

**DESCRIPTION**

(22) Filed: **Nov. 26, 2013**

(51) **LOC (10) Cl.** ..... **24-02**

(52) **U.S. Cl.**  
USPC ..... **D24/128**

(58) **Field of Classification Search**  
USPC ..... D23/112, 127-130, 189; 604/174, 178,  
604/180, 921; 602/58-59

See application file for complete search history.

FIG. 1 is a perspective view of a catheter strain relief clip embodying my new design;

FIG. 2 is a top view of the catheter strain relief clip shown in FIG. 1;

FIG. 3 is a bottom view top of the catheter strain relief clip shown in FIG. 1;

FIG. 4 is a side view of a first side of the catheter strain relief clip shown in FIG. 1;

FIG. 5 is a side view of a second side of the catheter strain relief clip shown in FIG. 1;

FIG. 6 is an end view of a first end of the catheter strain relief clip shown in FIG. 1; and,

FIG. 7 is an end view of a second end of the catheter strain relief clip shown in FIG. 1.

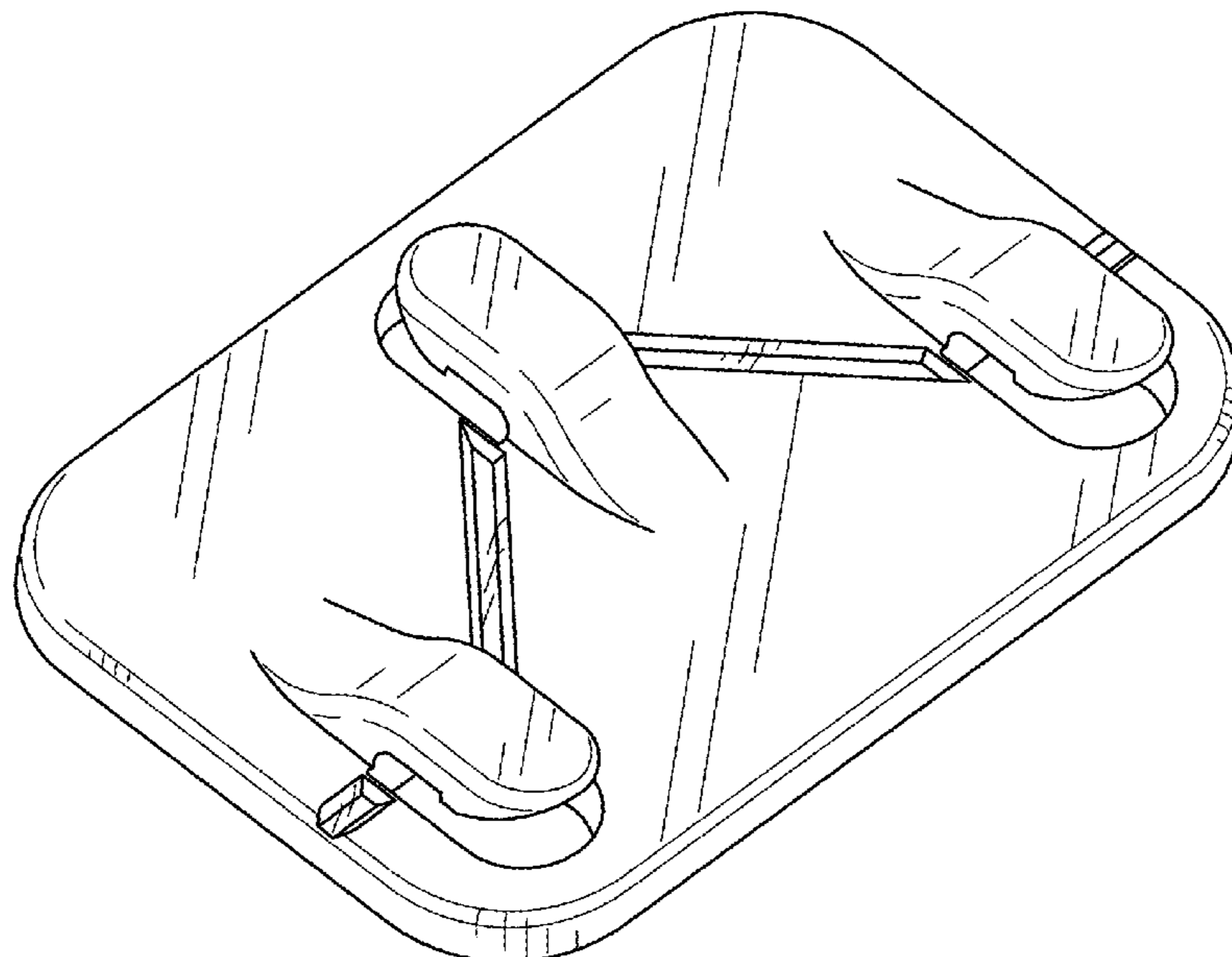
The broken lines in the drawings represent unclaimed environmental subject matter illustrating the design in use and form no part of the claim.

(56) **References Cited**

U.S. PATENT DOCUMENTS

D298,355 S *	11/1988	Young	.....	D24/128
D330,419 S *	10/1992	Sifers et al.	.....	D24/128
D379,509 S *	5/1997	Macko	.....	D24/128
6,074,379 A	6/2000	Prichard		
D504,175 S *	4/2005	Westbrook	.....	D24/128
D543,277 S *	5/2007	White	.....	D24/128
7,799,001 B2	9/2010	Bierman		
2012/0123343 A1	5/2012	Aviles		

**1 Claim, 3 Drawing Sheets**



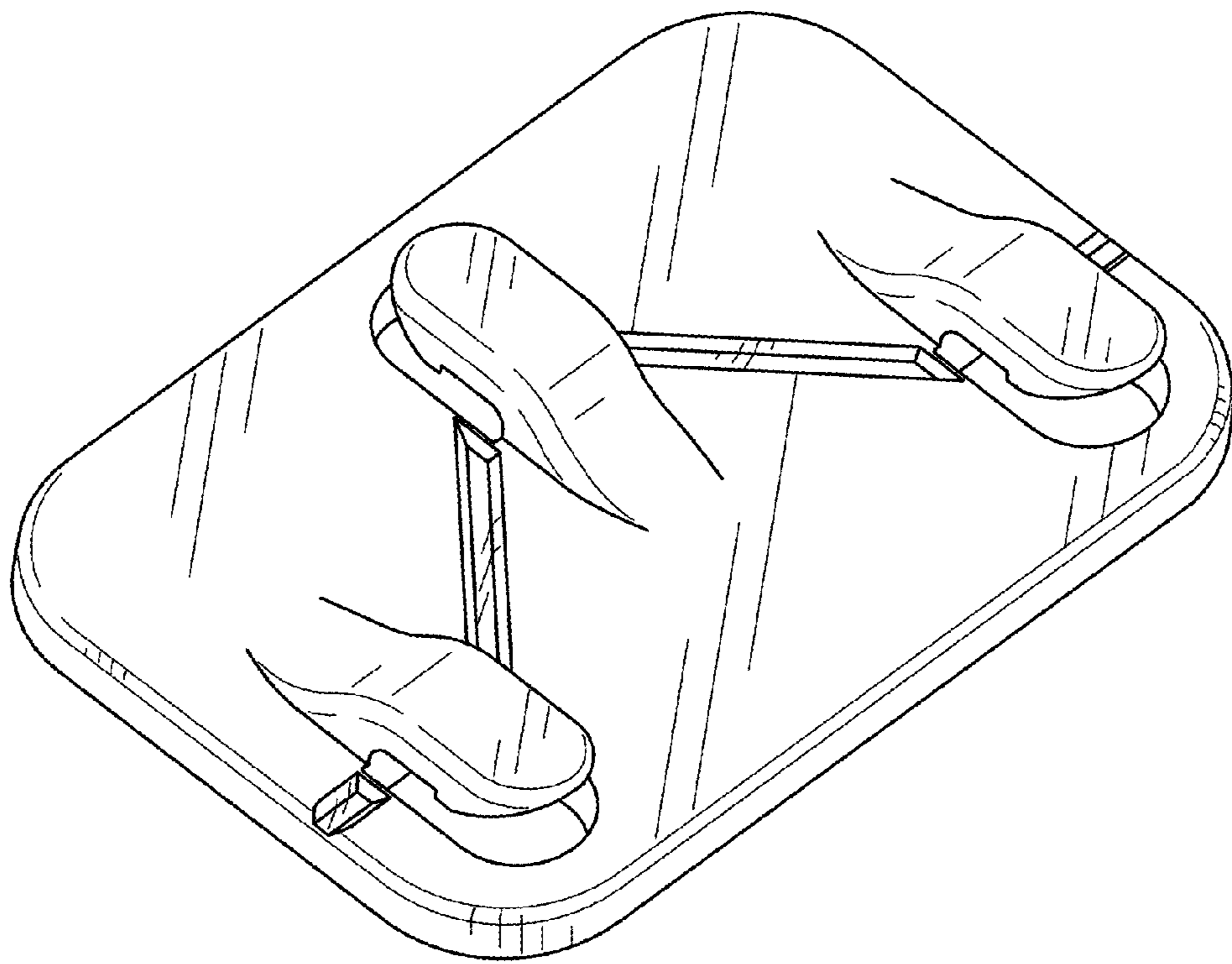


FIG. 1

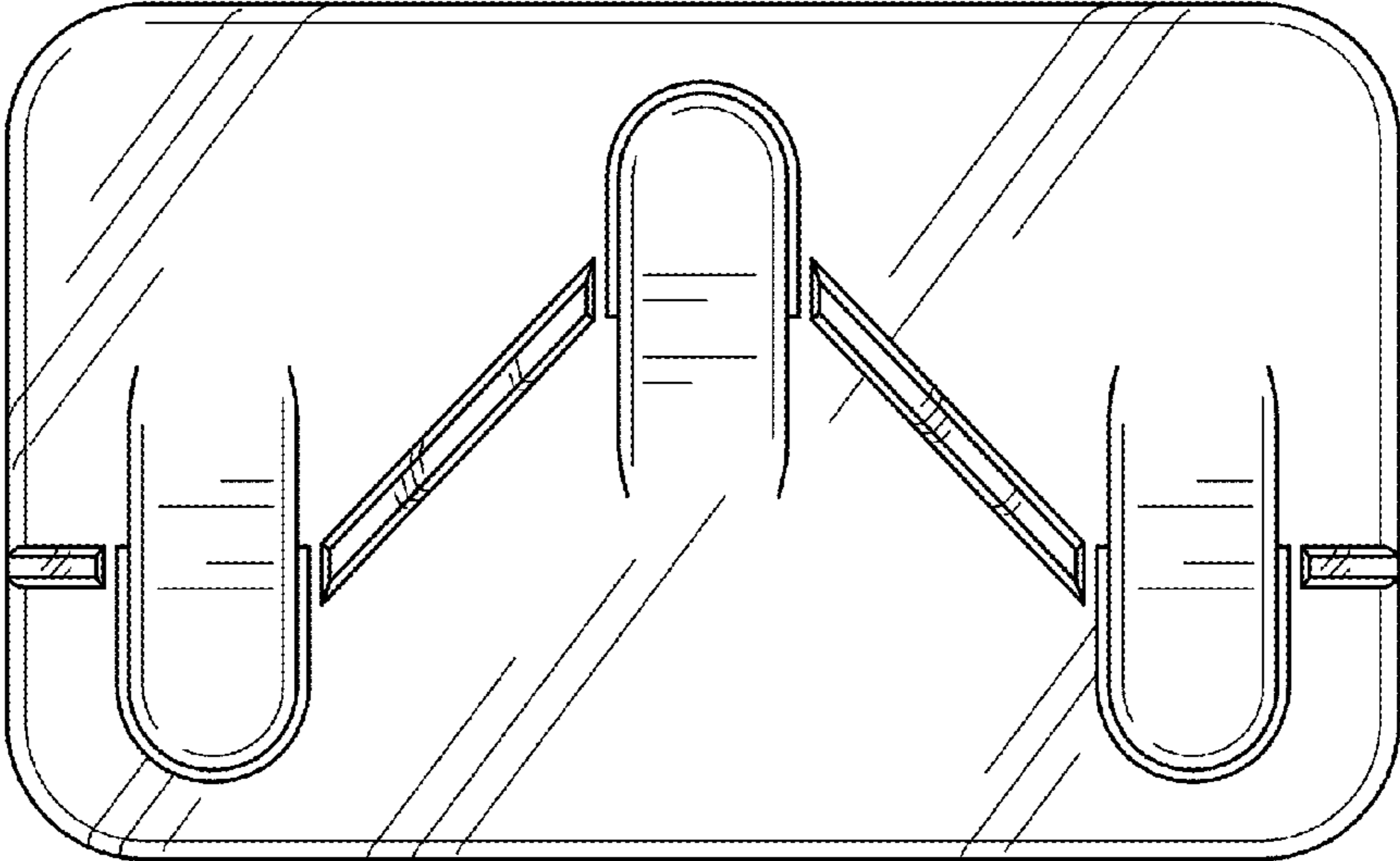


FIG. 2

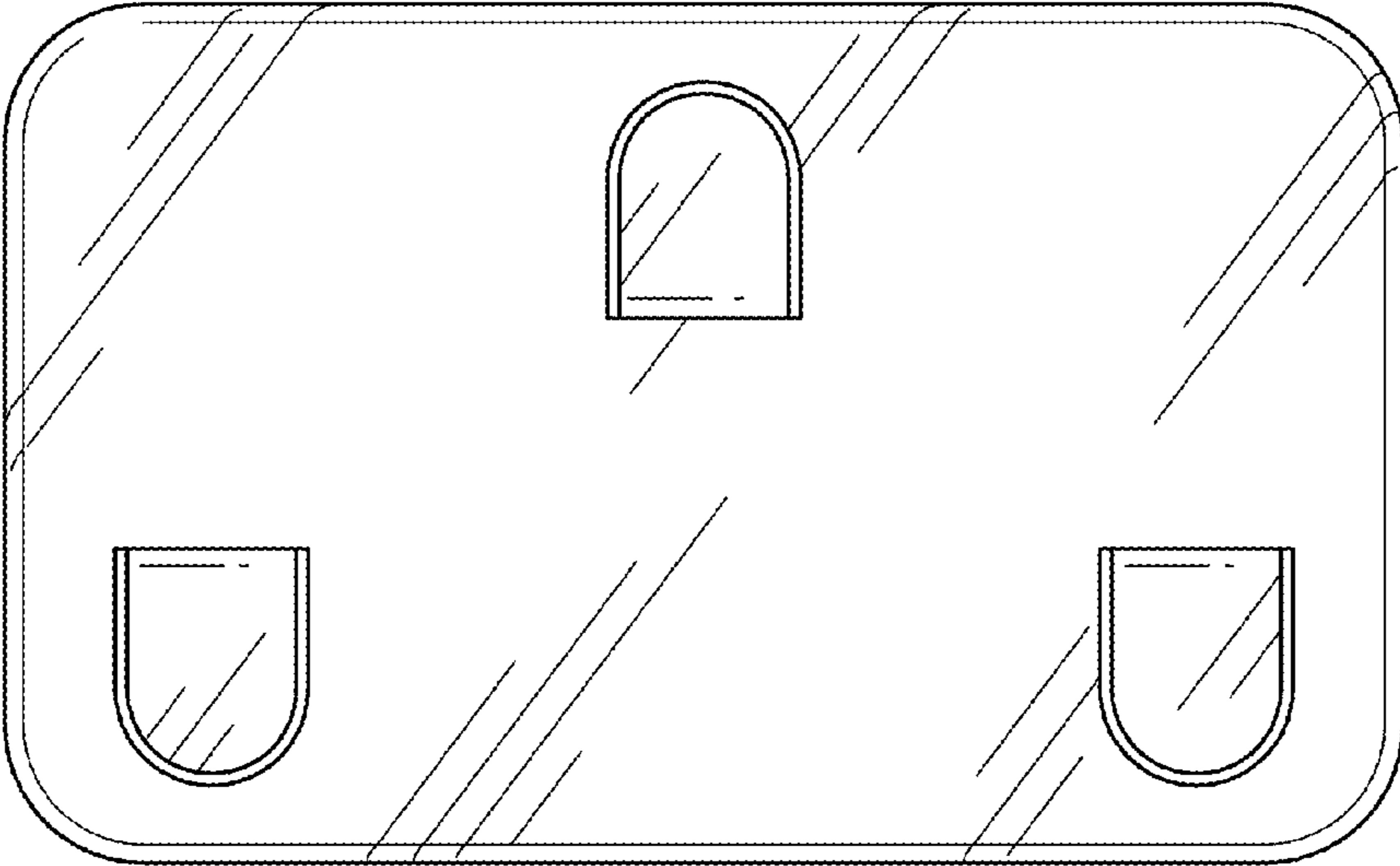


FIG. 3

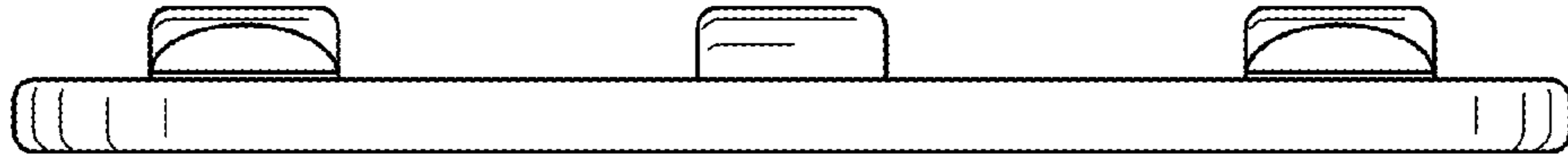


FIG. 4



FIG. 5



FIG. 6

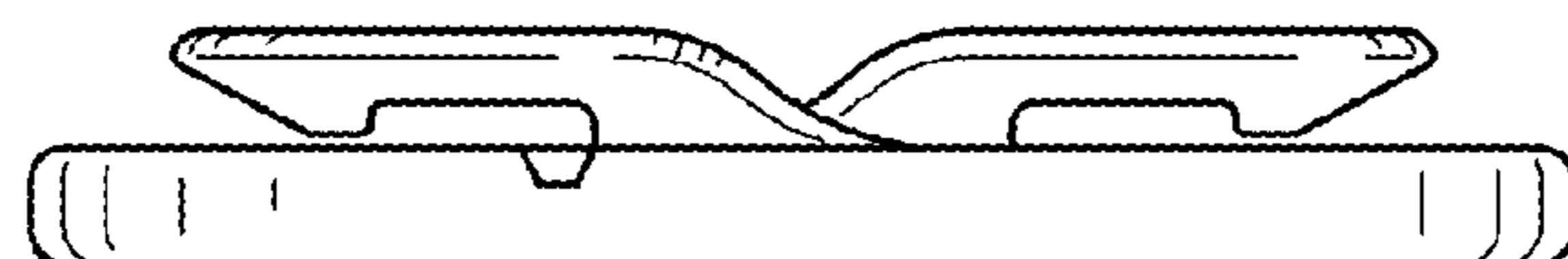


FIG. 7