



US00D715926S

(12) **United States Design Patent**
Suzuki et al.

(10) **Patent No.:** **US D715,926 S**
(45) **Date of Patent:** **** Oct. 21, 2014**

(54) **EXTENDER FOR DENTAL APPLICATOR
DEVICE**

(56) **References Cited**

U.S. PATENT DOCUMENTS

(71) Applicant: **3M Innovative Properties Company,**
St. Paul, MN (US)

3,535,068	A *	10/1970	Larson	604/232
3,819,091	A *	6/1974	Hollender	604/223
5,115,816	A *	5/1992	Lee	D24/130
5,135,511	A *	8/1992	Houghton et al.	604/220
6,743,205	B2 *	6/2004	Nolan et al.	604/131
D600,793	S *	9/2009	Bierman et al.	D24/112
8,701,507	B2 *	4/2014	Lonien et al.	604/208

(72) Inventors: **Jun Suzuki,** St. Paul, MN (US);
Kazuyoshi Shimizu, Tokyo (JP); **Tadato**
Oritani, Kanagawa (JP)

FOREIGN PATENT DOCUMENTS

(73) Assignee: **3M Innovative Properties Company,**
St. Paul, MN (US)

JP 3832148 10/2006

(**) Term: **14 Years**

* cited by examiner

(21) Appl. No.: **29/451,585**

Primary Examiner — Wan Laymon

(22) Filed: **Apr. 4, 2013**

(57) **CLAIM**

The ornamental design for an extender for dental applicator device, as shown and described.

(30) **Foreign Application Priority Data**

DESCRIPTION

Oct. 5, 2012 (JP) 2012-024400

FIG. 1 is a perspective view showing the new design for an extender for dental applicator device.

(51) **LOC (10) Cl.** **24-02**

FIG. 2 is a front view thereof;

(52) **U.S. Cl.**
USPC **D24/128**

FIG. 3 is a back view thereof;

(58) **Field of Classification Search**
USPC D24/176-179, 111, 127-128, 112, 114,
D24/130; 604/27, 36, 131, 181, 187, 208,
604/210, 223, 232

FIG. 4 is a left-side view thereof, the right-side view being a mirror image of the left-side view;

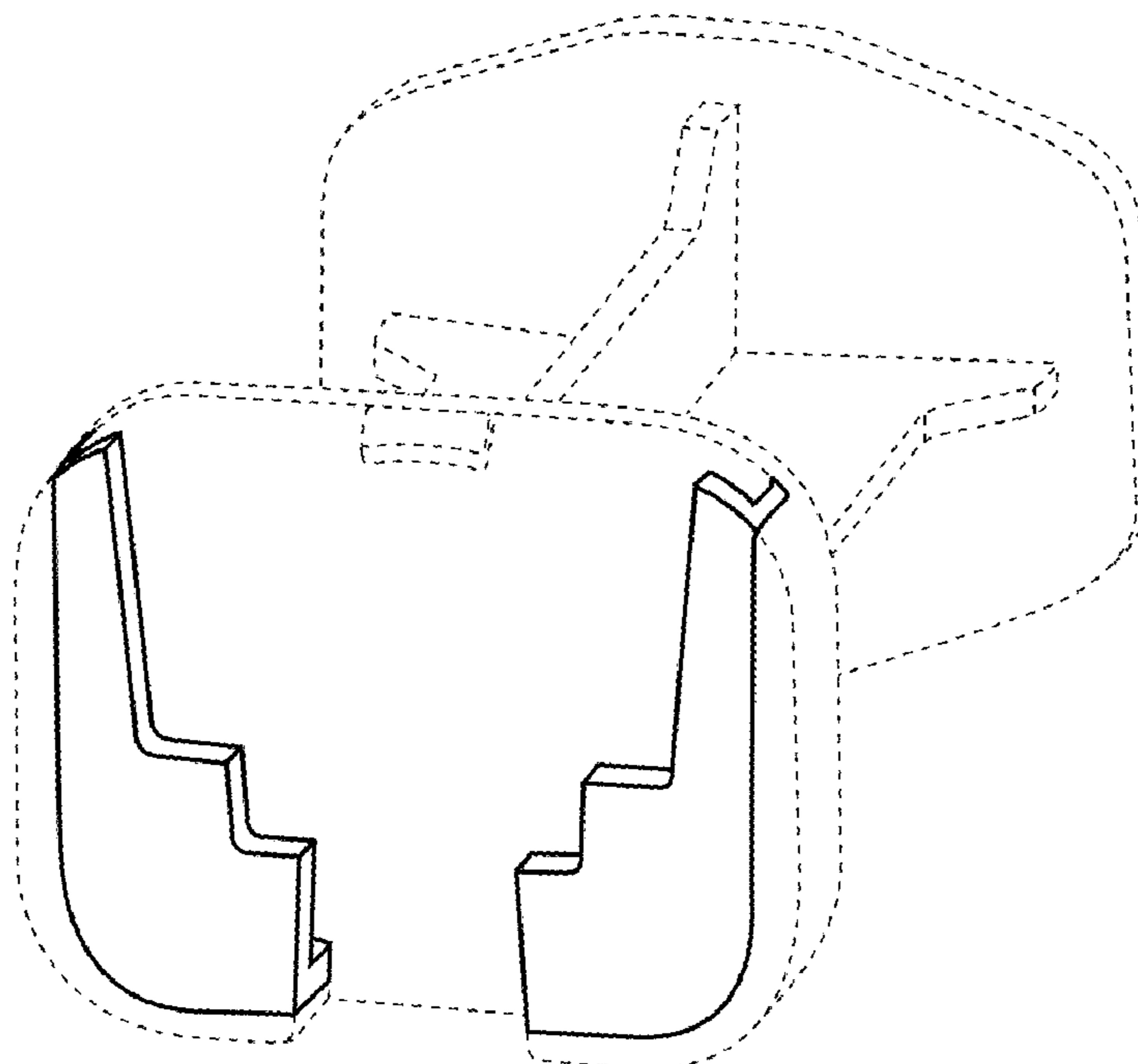
FIG. 5 is a plane view thereof; and,

FIG. 6 is a bottom view thereof.

The broken lines shown in the figures are included for the purpose of illustrating portions of the extender for dental applicator device and form no part of the claimed design.

See application file for complete search history.

1 Claim, 2 Drawing Sheets



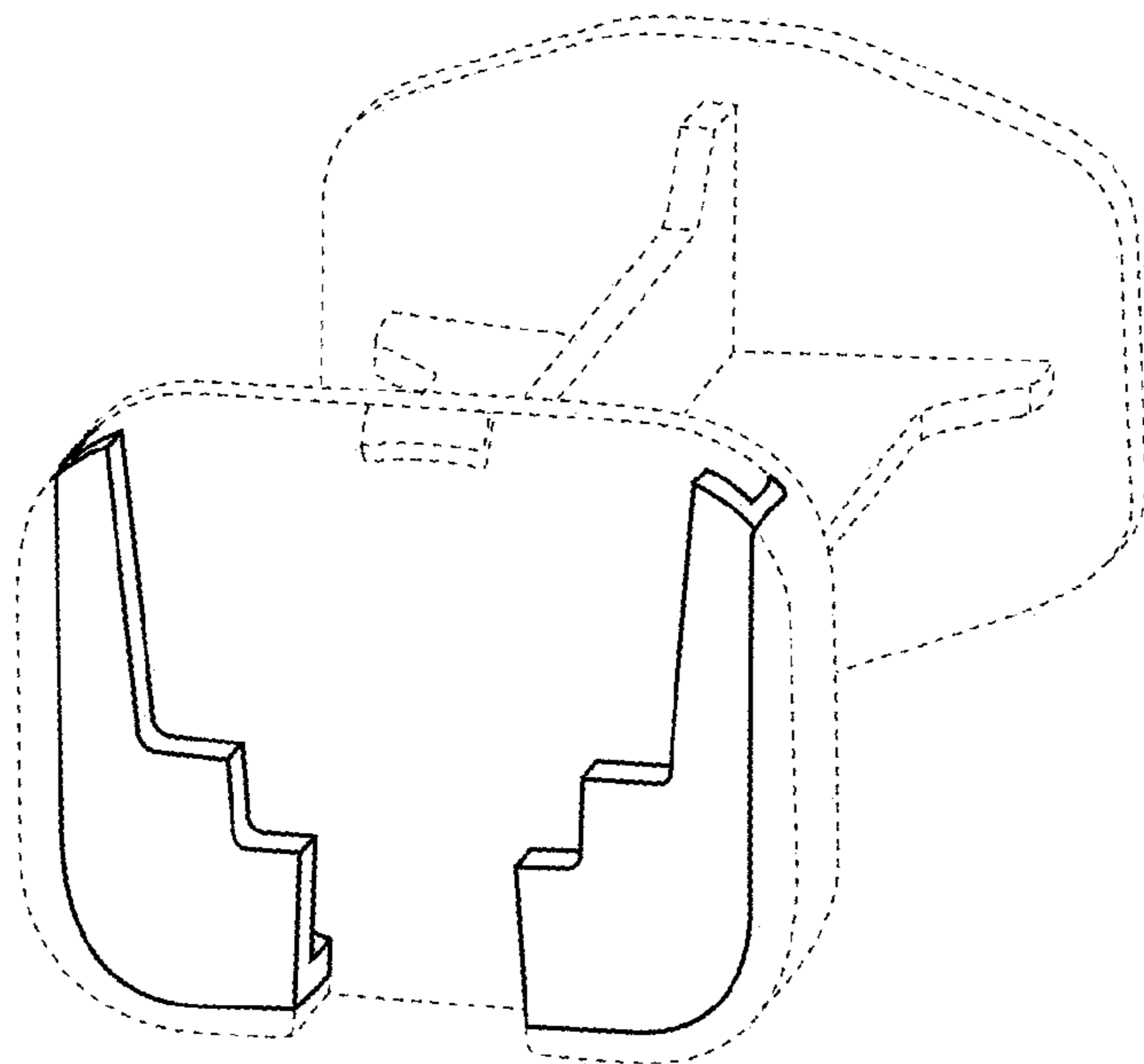


FIG. 1

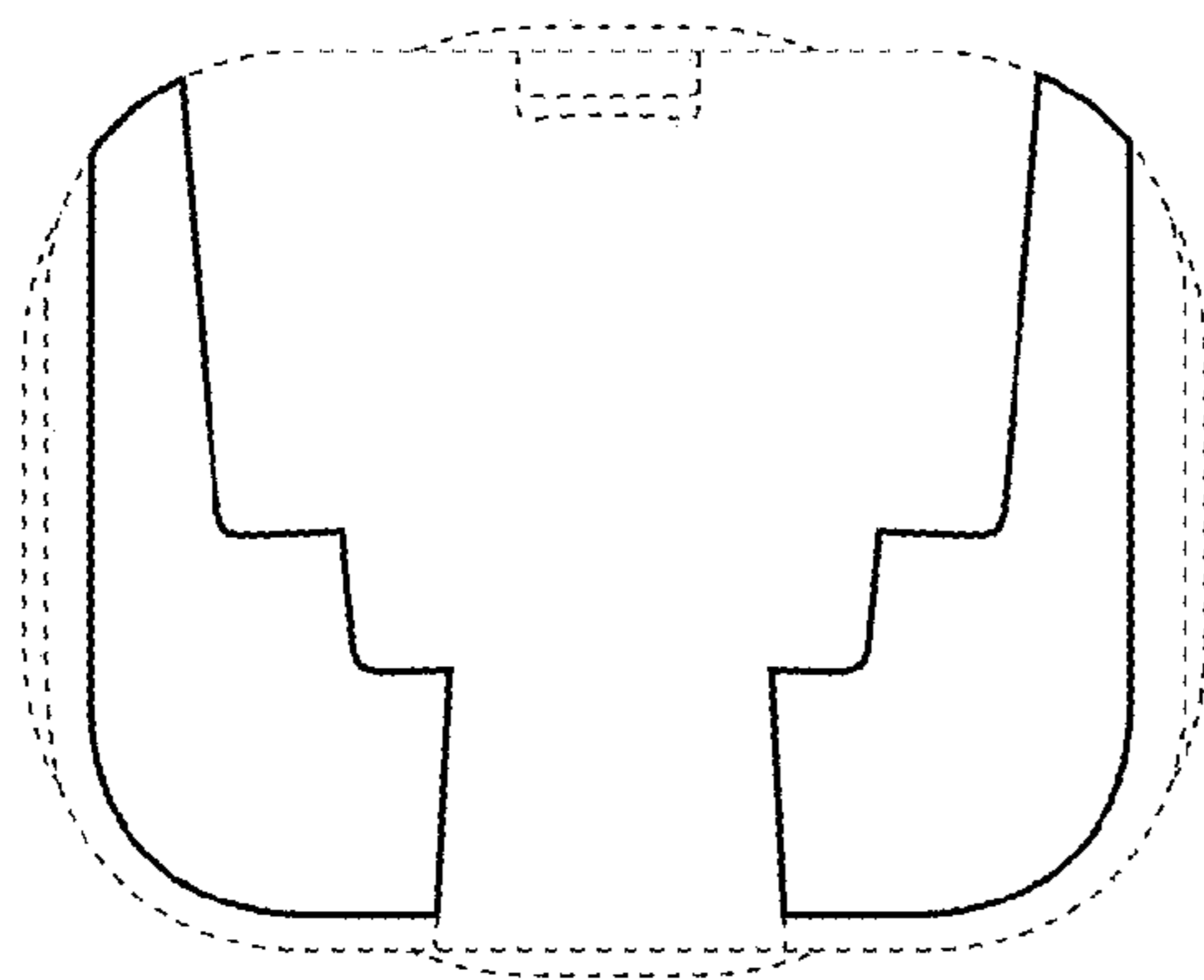


FIG. 2

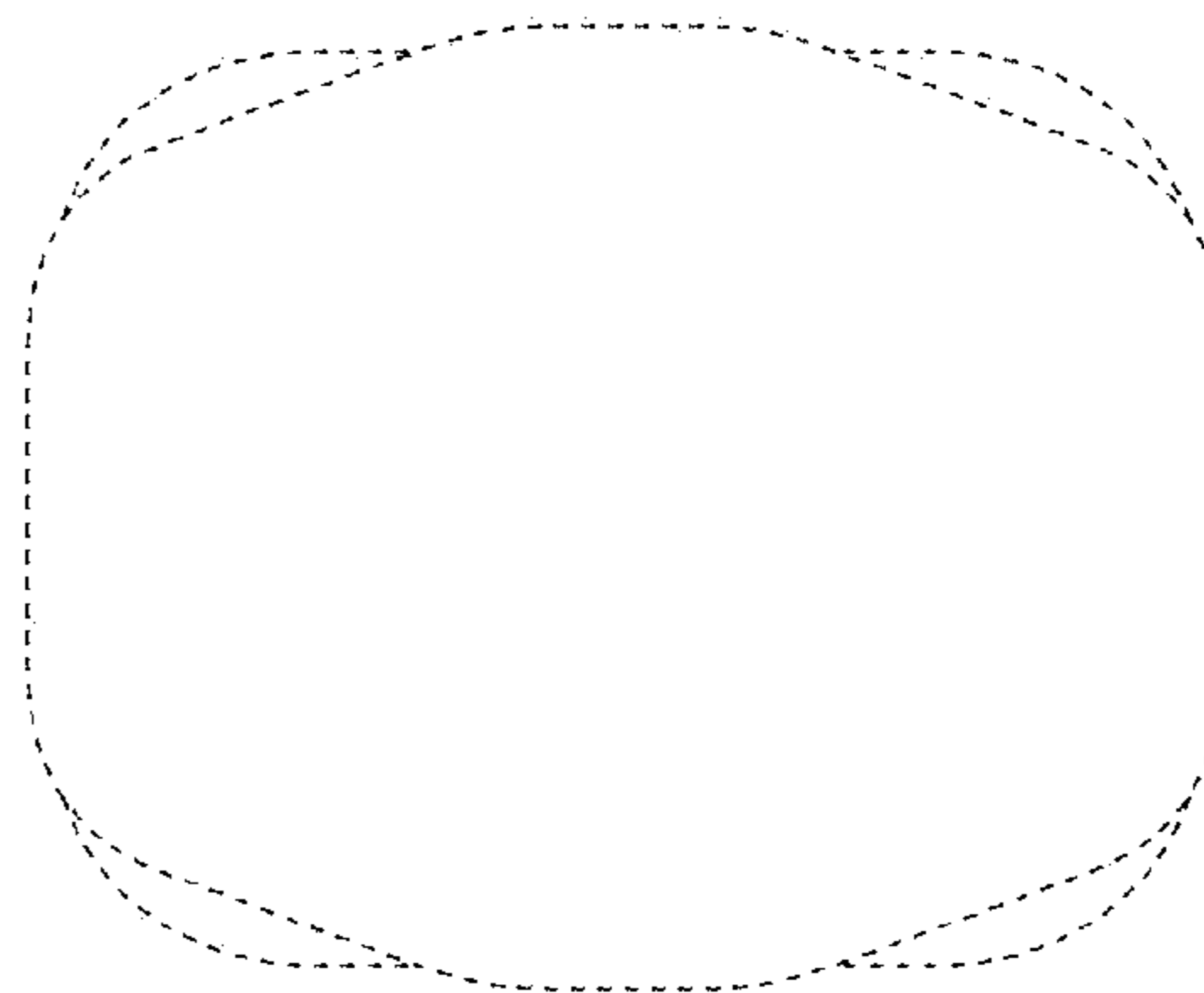


FIG. 3



FIG. 4

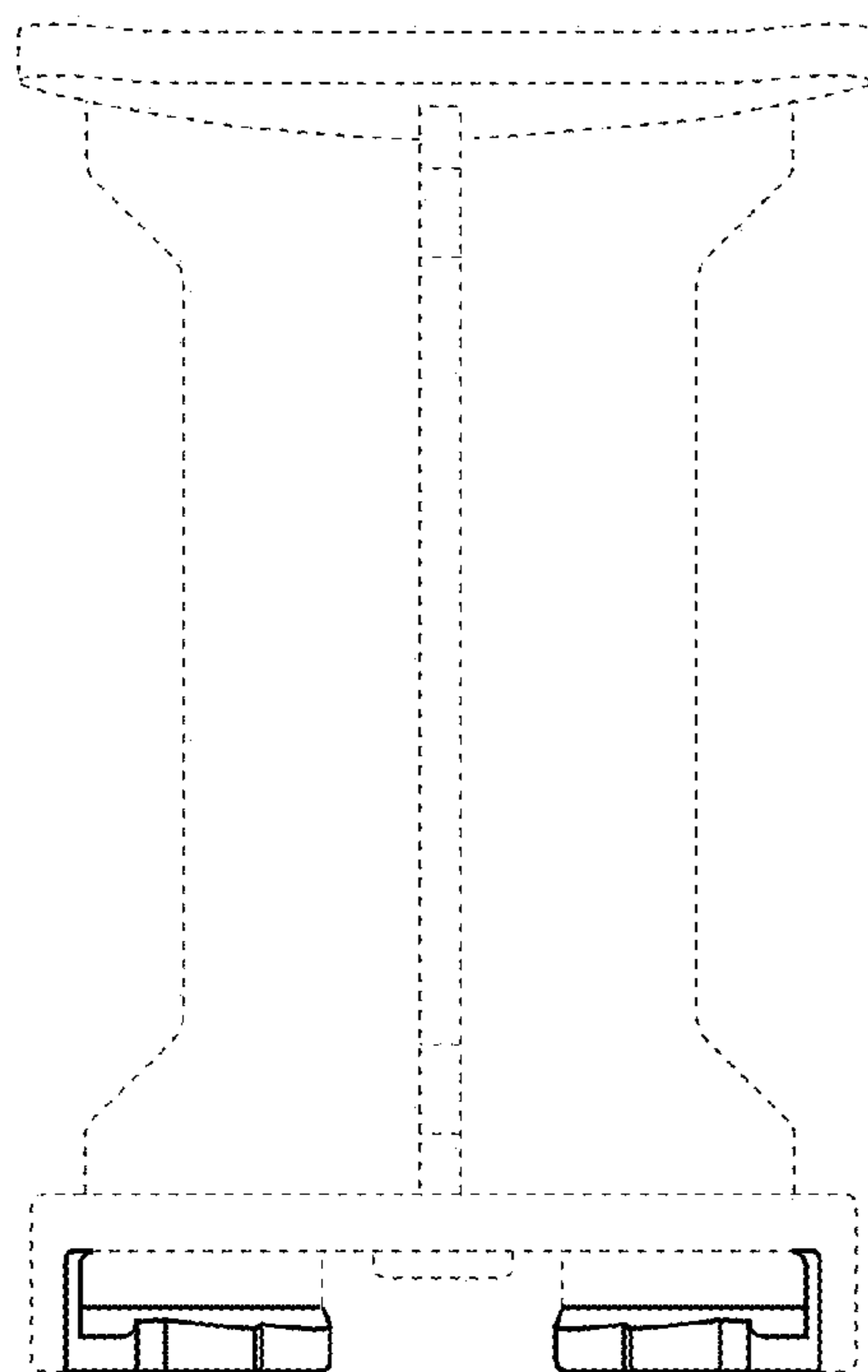


FIG. 5

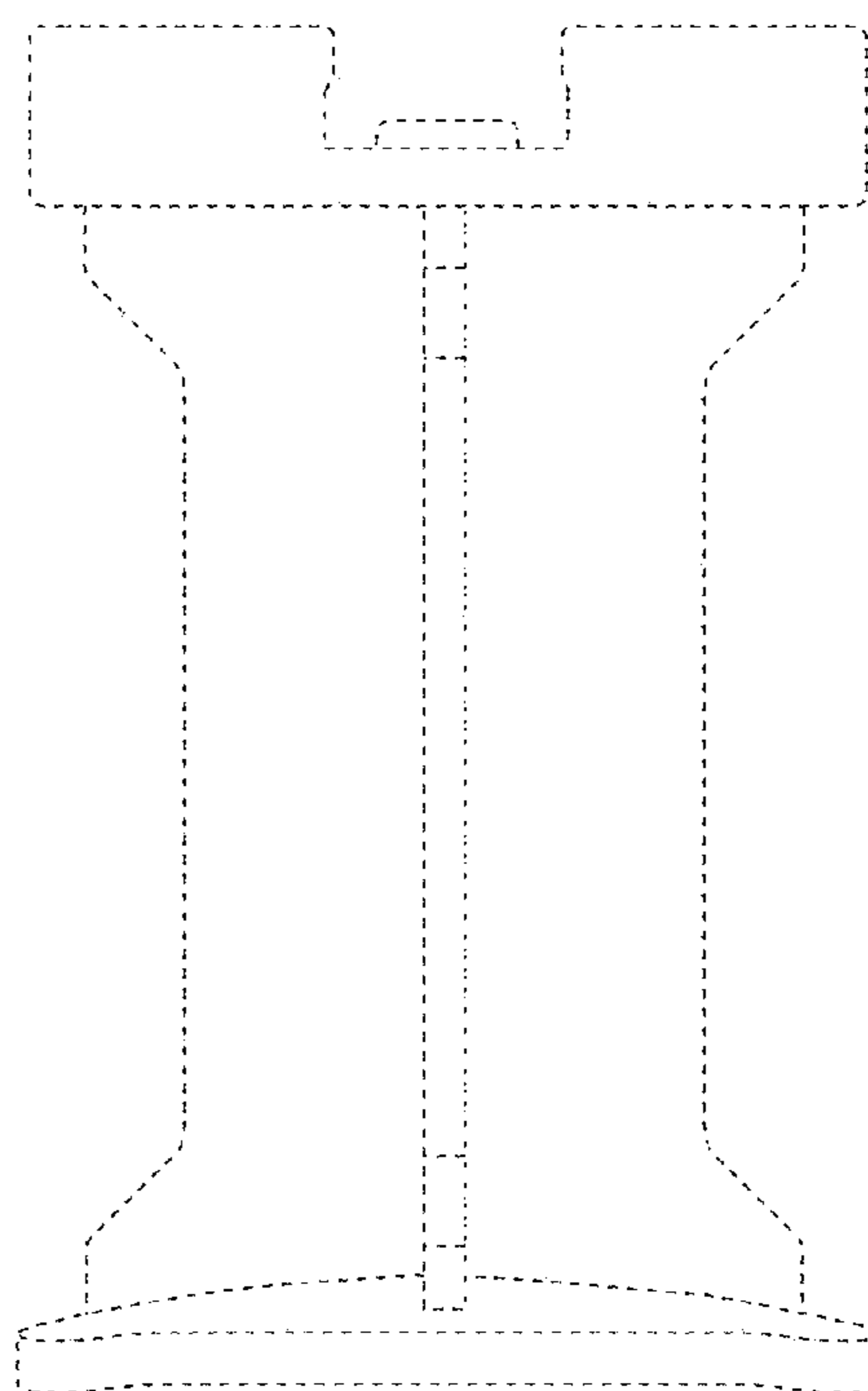


FIG. 6