



US00D715924S

(12) **United States Design Patent**  
**Green**

(10) **Patent No.:** **US D715,924 S**

(45) **Date of Patent:** **\*\* Oct. 21, 2014**

(54) **FOOT SWITCH**

(75) **Inventor:** **Joseph Green**, Memphis, TN (US)

(73) **Assignee:** **Gyrus ACMI, Inc.**, Southborough, MA (US)

(\*\*) **Term:** **14 Years**

(21) **Appl. No.:** **29/430,649**

(22) **Filed:** **Aug. 28, 2012**

(51) **LOC (10) Cl.** ..... **24-02**

(52) **U.S. Cl.**  
USPC ..... **D24/127**

(58) **Field of Classification Search**  
USPC ..... D24/127-131, 112-114, 133, 186;  
606/181, 185, 32; 604/264, 272, 115,  
604/232, 187, 158, 164.08, 192, 263, 163,  
604/181, 184, 198, 227; 600/101, 139, 143;  
128/200.24, 207.14, 207.15; 200/86.5;  
D13/167

See application file for complete search history.

(56) **References Cited**

**U.S. PATENT DOCUMENTS**

2,313,166 A \* 3/1943 Nicholas ..... 200/86.5  
2,878,336 A \* 3/1959 Ehrlich ..... 200/86.5  
D260,524 S \* 9/1981 Satoh ..... D13/167

D398,290 S \* 9/1998 McClintock ..... D13/167  
6,452,120 B1 \* 9/2002 Chen ..... 200/86.5  
D517,499 S \* 3/2006 Pollard ..... D13/167  
D517,502 S \* 3/2006 Ogawa ..... D13/167  
7,193,169 B2 \* 3/2007 Mezhinsky et al. .... 200/86.5  
D589,460 S \* 3/2009 Yang ..... D13/167  
D599,746 S \* 9/2009 Long ..... D13/167  
7,626,132 B2 \* 12/2009 Mezhinsky ..... 200/86.5  
7,674,991 B2 \* 3/2010 Baird et al. .... 200/86.5

\* cited by examiner

*Primary Examiner* — David Muller

(74) *Attorney, Agent, or Firm* — Vivacqua Law, PLLC; Eric Kurtycz

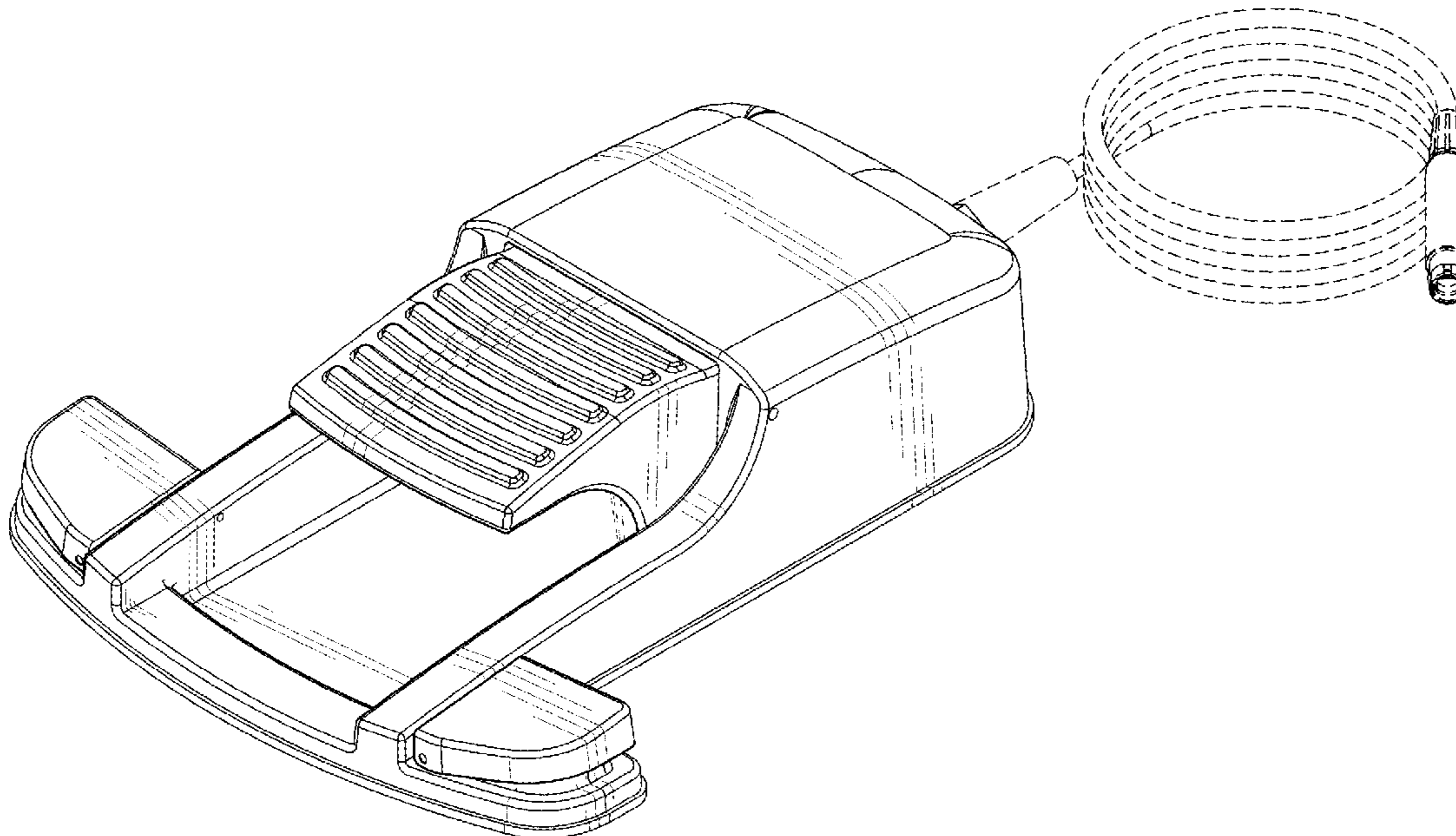
(57) **CLAIM**

The ornamental design for a foot switch, as shown and described.

**DESCRIPTION**

FIG. 1 is a perspective view of the foot switch, showing my new design;  
FIG. 2 is a rear view thereof;  
FIG. 3 is a front view thereof;  
FIG. 4 is a top view thereof;  
FIG. 5 is a bottom view thereof; and,  
FIG. 6 is a left side view thereof, the right side view (not shown) being a mirror image of the left side view.  
The broken lines are included for the purpose of illustrating environmental structure and form no part of the claimed design.

**1 Claim, 5 Drawing Sheets**



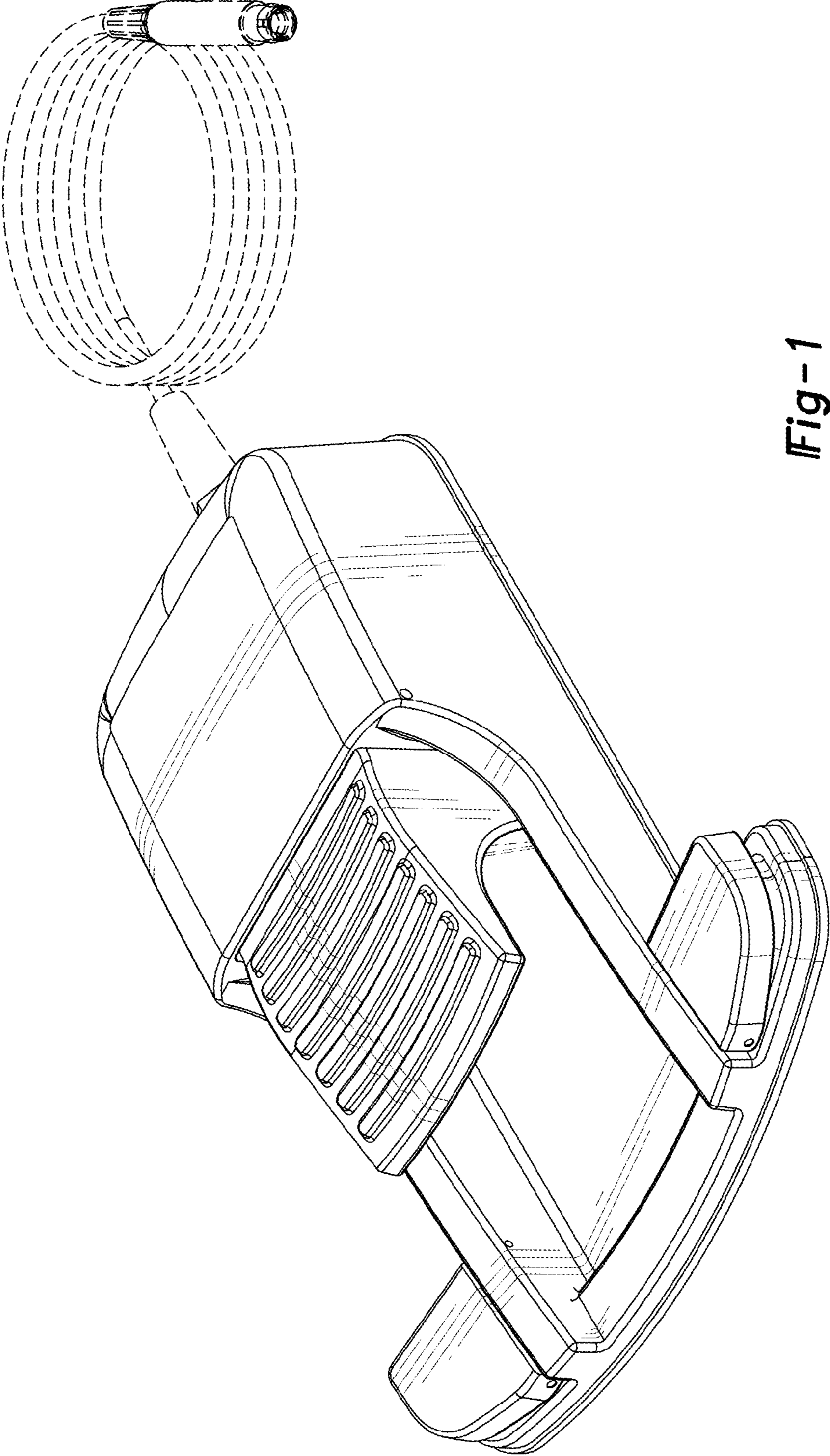


Fig-1

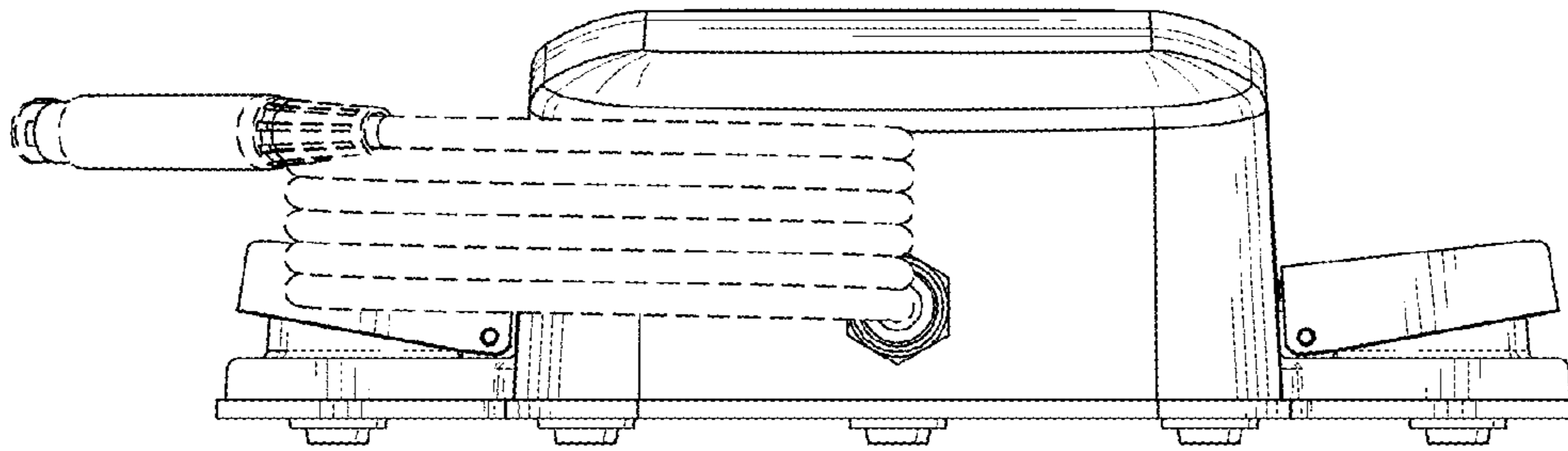


Fig-2

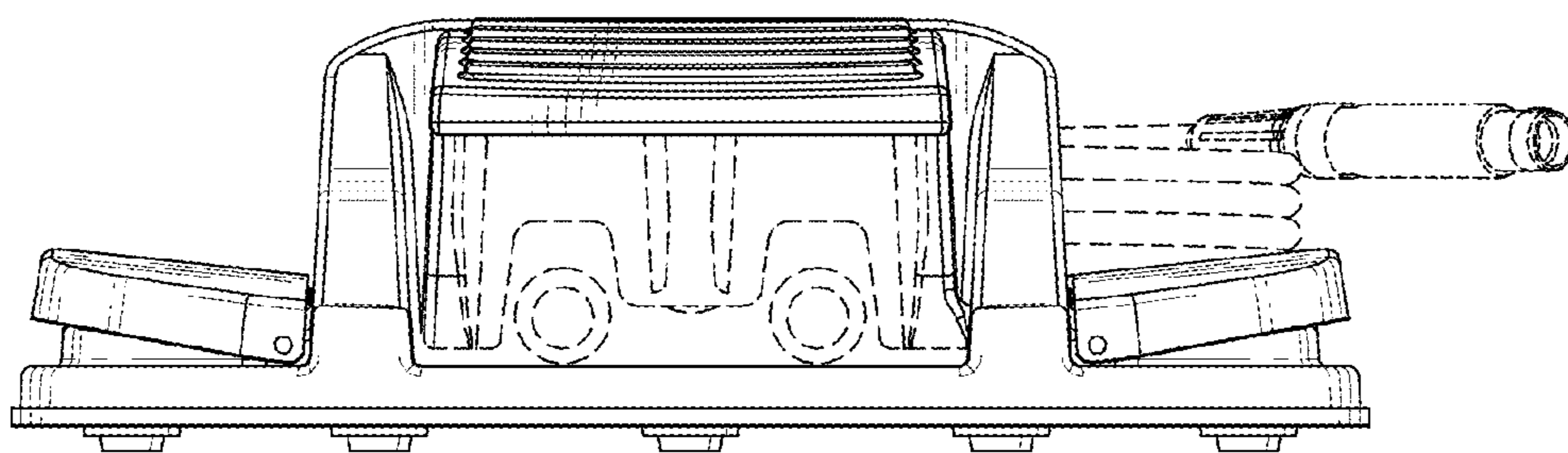


Fig-3



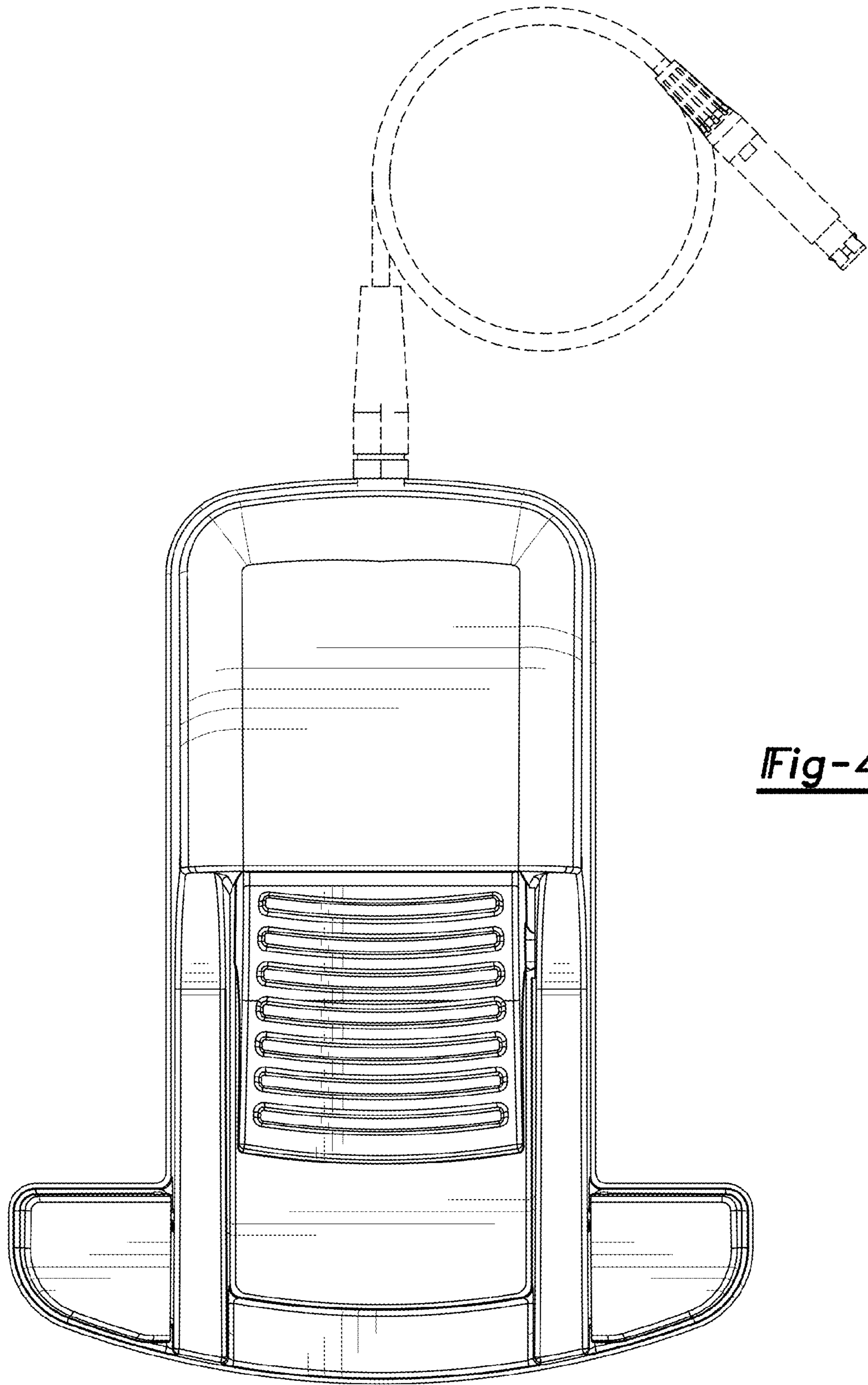


Fig-4

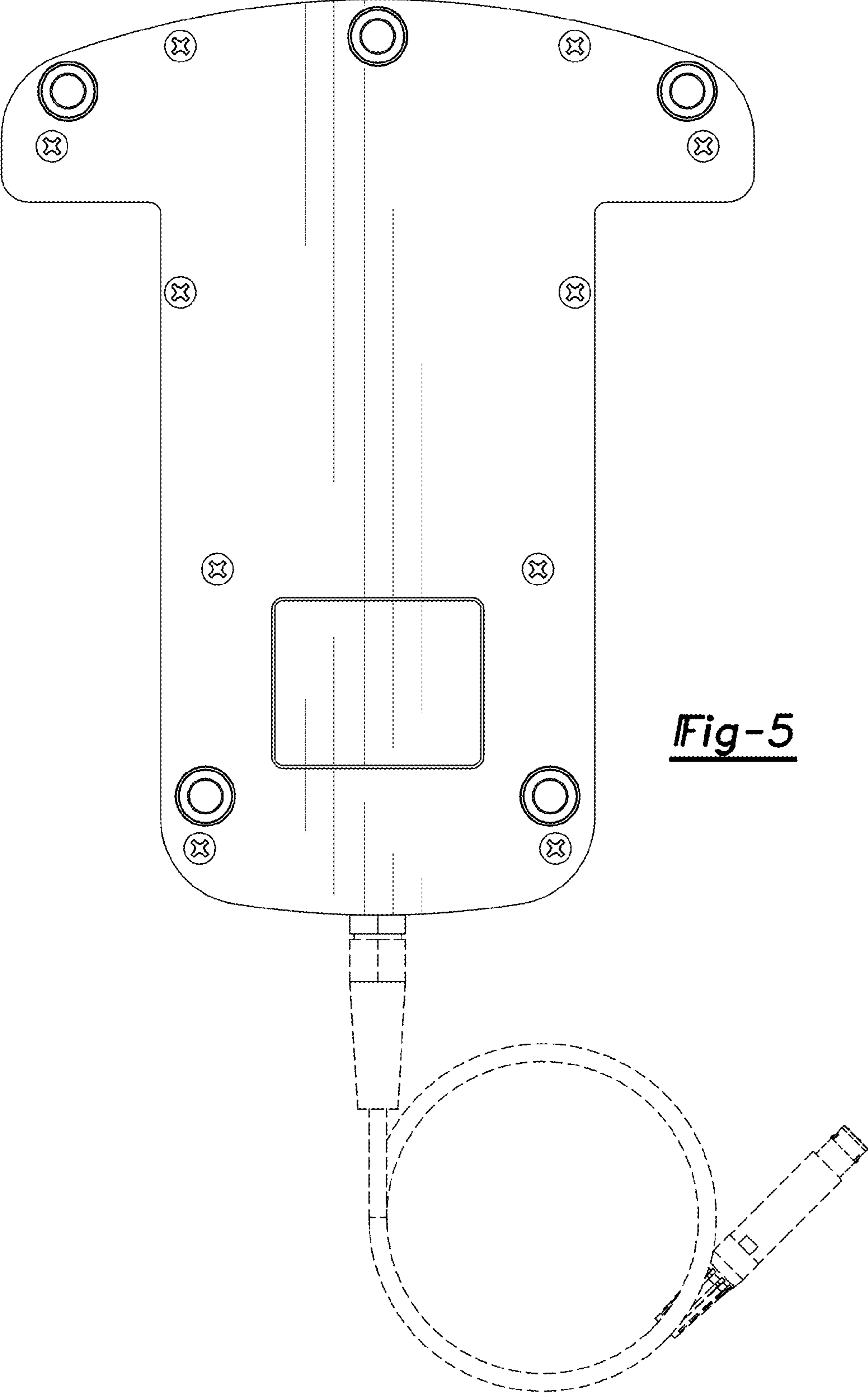


Fig-5

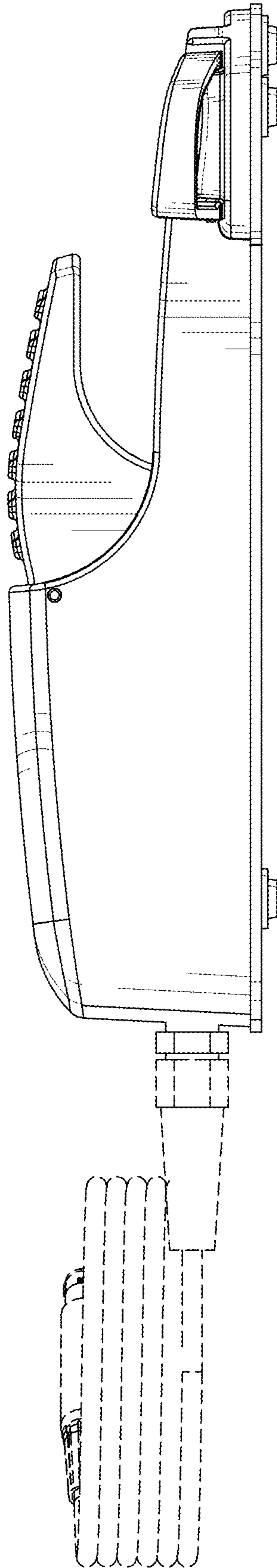


Fig-6