



US00D715921S

(12) **United States Design Patent**
Wan

(10) **Patent No.:** **US D715,921 S**
(45) **Date of Patent:** **** Oct. 21, 2014**

(54) **SUCTION TUBE ASSEMBLY**

(71) Applicant: **Shaw P. Wan**, Norwood, NC (US)

(72) Inventor: **Shaw P. Wan**, Norwood, NC (US)

(**) Term: **14 Years**

(21) Appl. No.: **29/451,024**

(22) Filed: **Mar. 27, 2013**

(51) **LOC (10) Cl.** **24-02**

(52) **U.S. Cl.**
USPC **D24/112**

(58) **Field of Classification Search**
USPC D24/112-114, 130, 127, 133, 186, 108,
D24/129; 606/181, 185; 604/264, 272, 115,
604/164.01-164.09, 533, 232, 187, 168.01,
604/192, 19, 48, 93.01, 523, 524, 526;
600/101, 139, 143; 128/200.24,
128/207.14, 207.15
See application file for complete search history.

(56) **References Cited**

U.S. PATENT DOCUMENTS

4,326,519 A * 4/1982 D'Alo et al. 604/165.04
D328,788 S * 8/1992 Sagae et al. D24/129

D367,324 S * 2/1996 McCarthy et al. D24/112
D440,304 S * 4/2001 Morales D24/112
6,602,243 B2 * 8/2003 Noda 604/544
D506,828 S * 6/2005 Layne et al. D24/129
7,306,586 B2 * 12/2007 Beaufore et al. 604/533
7,996,974 B2 * 8/2011 Kozak et al. 29/407.09
8,079,979 B2 * 12/2011 Moorehead 604/110
8,137,309 B2 * 3/2012 Nishtala et al. 604/103.01
D667,106 S * 9/2012 Puhasmagi D24/112
D689,607 S * 9/2013 Cyphery et al. D24/133
D695,891 S * 12/2013 Biel et al. D24/112

* cited by examiner

Primary Examiner — David Muller

(57) **CLAIM**

The ornamental design for a suction tube assembly, as shown and described.

DESCRIPTION

FIG. 1 is a perspective view of the top of the suction tube assembly.

FIG. 2 is a side view of the suction tube assembly.

FIG. 3 is a side view of the suction tube assembly.

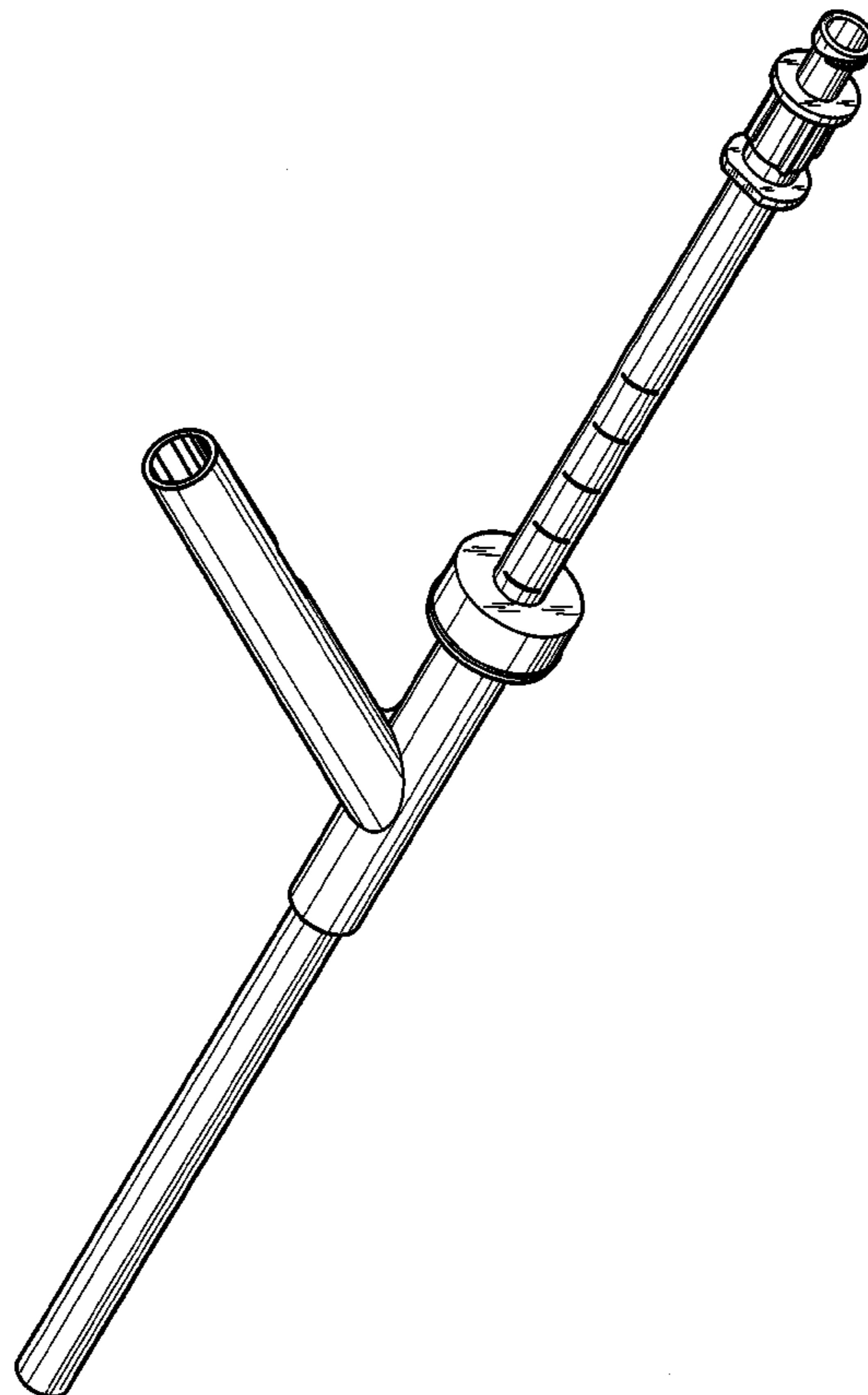
FIG. 4 is a top view of the suction tube assembly.

FIG. 5 is a bottom view of the suction tube assembly.

FIG. 6 is a side view of the suction tube assembly; and,

FIG. 7 is a side view of the suction tube assembly.

1 Claim, 3 Drawing Sheets



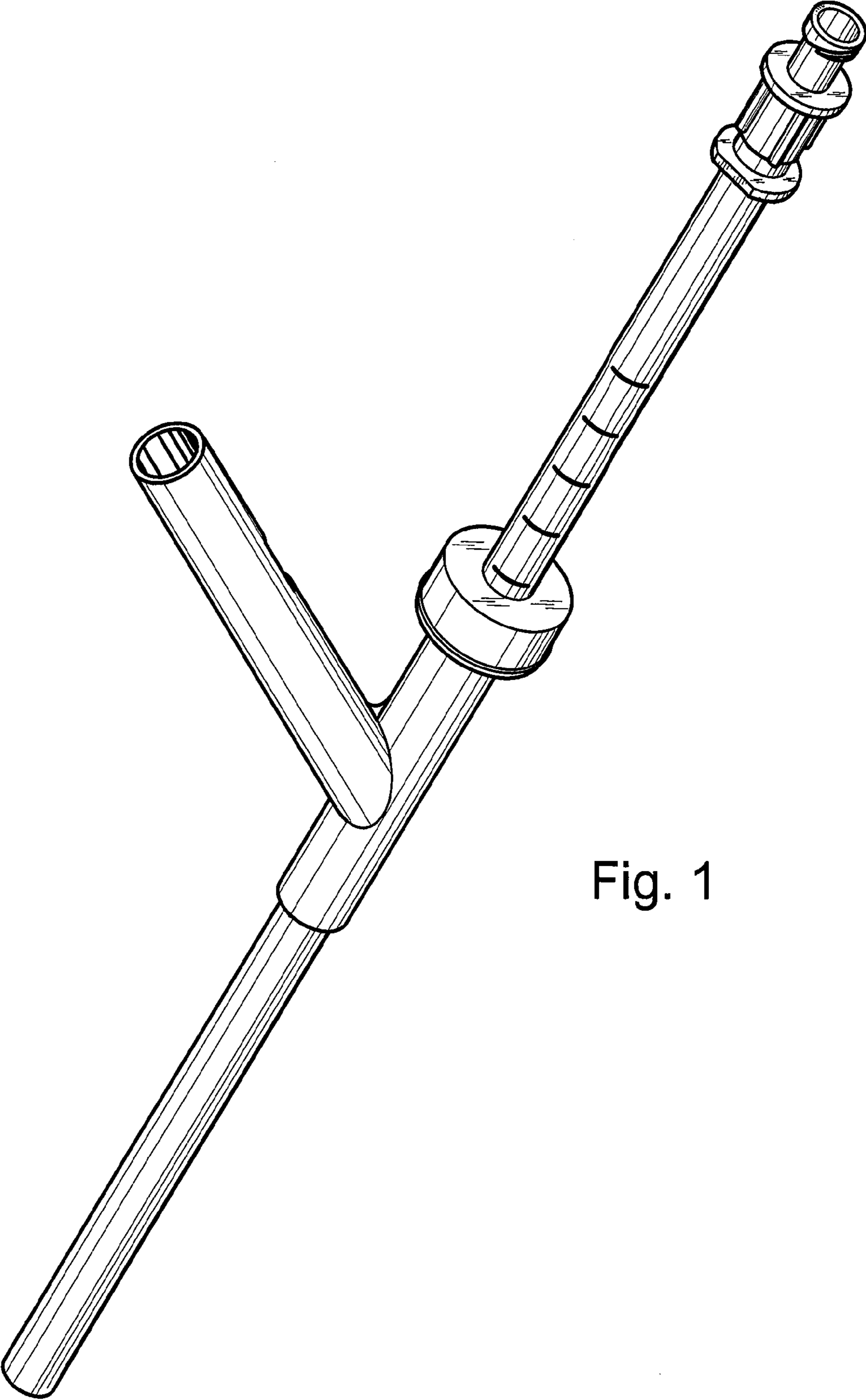
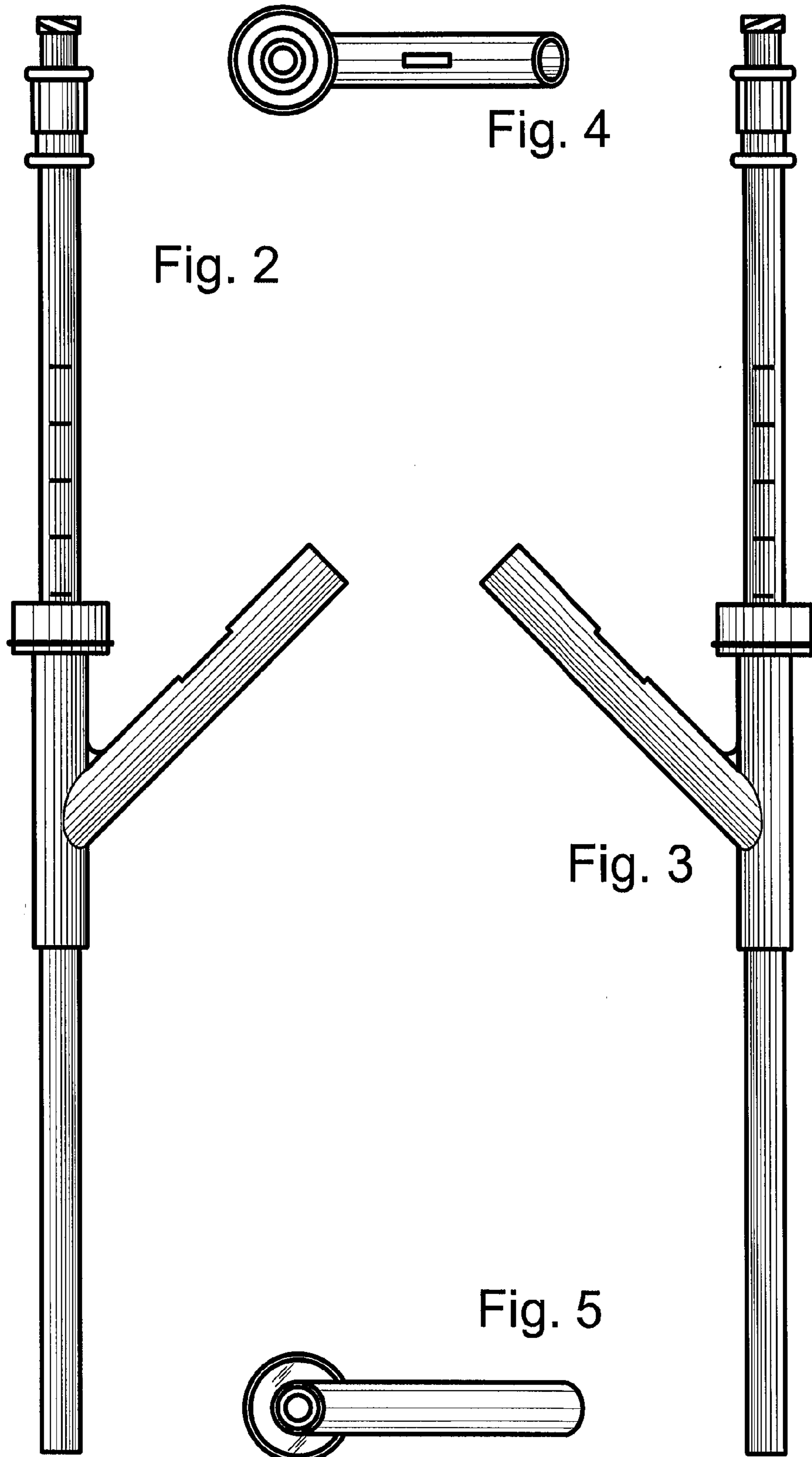


Fig. 1



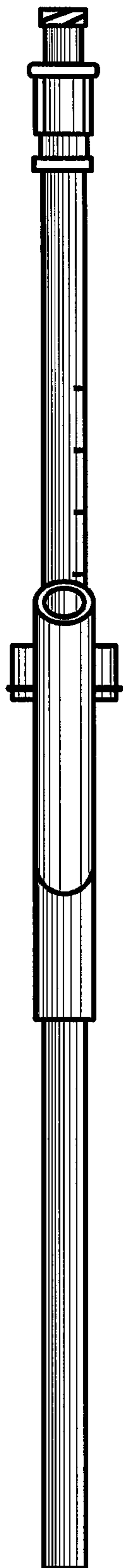


Fig. 6

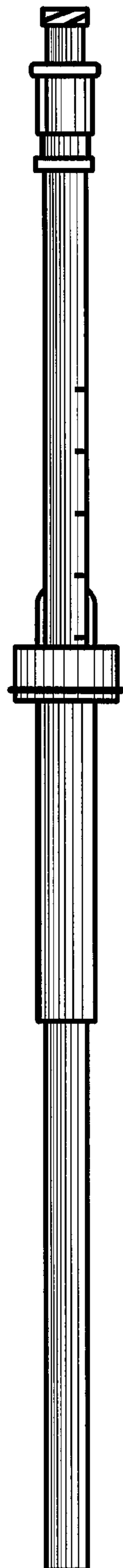


Fig. 7