



US00D715919S

(12) **United States Design Patent**
Pan

(10) **Patent No.:** **US D715,919 S**

(45) **Date of Patent:** **** Oct. 21, 2014**

(54) **CEILING FAN**

(71) Applicant: **Air Cool Industrial Co., Ltd.**, Taichung (TW)

(72) Inventor: **Peter Pan**, Taichung (TW)

(73) Assignee: **Air Cool Industrial Co., Ltd.**, Taichung (TW)

(**) Term: **14 Years**

(21) Appl. No.: **29/461,168**

(22) Filed: **Jul. 19, 2013**

(51) **LOC (10) Cl.** **23-04**

(52) **U.S. Cl.**
USPC **D23/411**

(58) **Field of Classification Search**
USPC D23/385, 370-384, 411-414, 386-394,
D23/499; D26/51, 59, 72, 73, 80-86, 88,
D26/90, 377; 362/96; 416/5, 170 R, 214 R,
416/184, 206, 207, 210 R, 220 R, 244 R;
417/423.1; 392/361-364

See application file for complete search history.

(56) **References Cited**

U.S. PATENT DOCUMENTS

D426,339 S *	6/2000	Chen	D26/85
D442,724 S *	5/2001	Chen	D26/85
D443,714 S *	6/2001	Pan	D26/85
D445,942 S *	7/2001	Hsu	D26/85
D478,976 S *	8/2003	Young	D23/377
D485,344 S *	1/2004	Tai	D23/377
D527,090 S *	8/2006	Pan	D23/377
D532,099 S *	11/2006	Glasbrenner	D23/411
D539,967 S *	4/2007	Hsu	D26/89

D573,242 S *	7/2008	Pan	D23/377
D593,194 S *	5/2009	Pan	D23/377
D594,543 S *	6/2009	Pan	D23/377
D597,650 S *	8/2009	Orozco	D23/377
D620,581 S *	7/2010	Chen	D23/377
D621,497 S *	8/2010	Chen	D23/377
D621,498 S *	8/2010	Chen	D23/377
D626,211 S *	10/2010	Wang	D23/411
D627,046 S *	11/2010	Wang	D23/377
D627,047 S *	11/2010	Shurtleff	D23/377
D627,870 S *	11/2010	Wang	D23/411
D628,286 S *	11/2010	Yang	D23/411
D629,148 S *	12/2010	Chen	D26/89
D707,343 S *	6/2014	Wang	D23/411
D707,807 S *	6/2014	Pan	D23/377

* cited by examiner

Primary Examiner — Susan Bennett Hattan

Assistant Examiner — Marie Fast Horse

(74) *Attorney, Agent, or Firm* — Ming Chow; Sinorica, LLC

(57) **CLAIM**

I claim the ornamental design for a ceiling fan, as shown and described.

DESCRIPTION

FIG. 1 is a front perspective view of a ceiling fan showing my new design;

FIG. 2 is a front elevational view thereof;

FIG. 3 is a rear elevational view thereof.

FIG. 4 is a left side elevational view thereof;

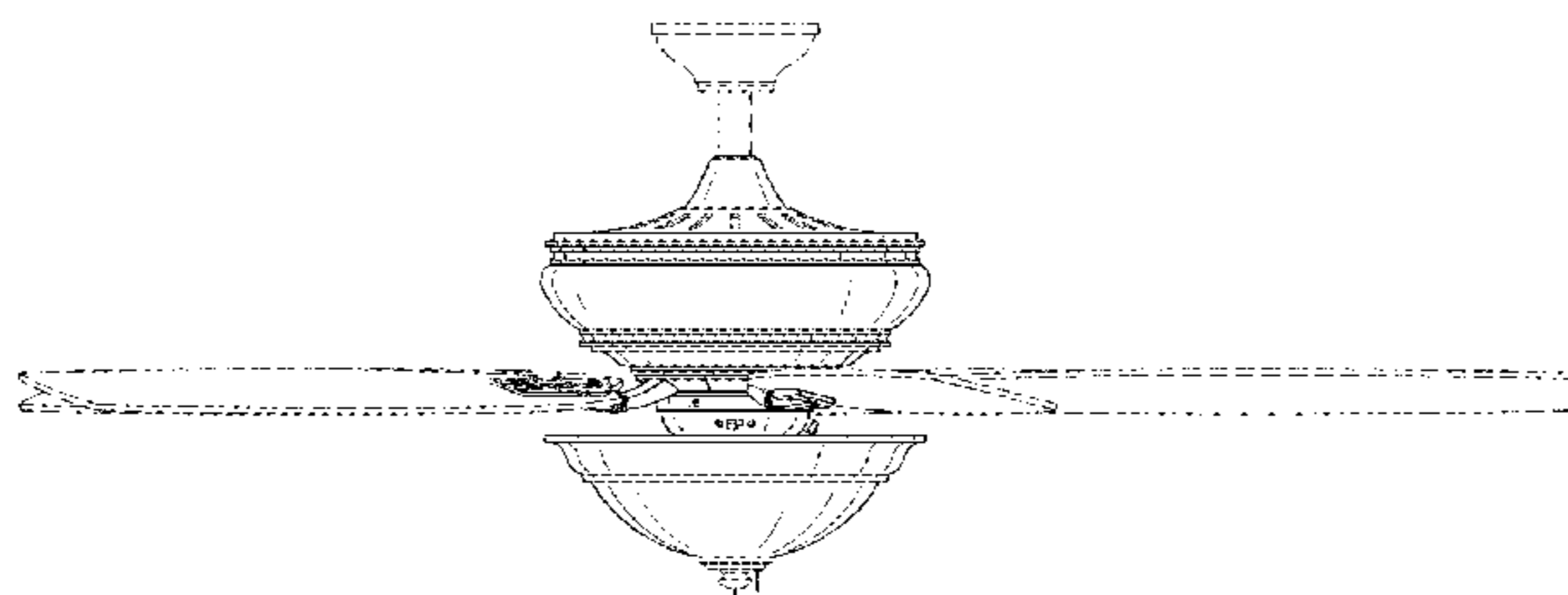
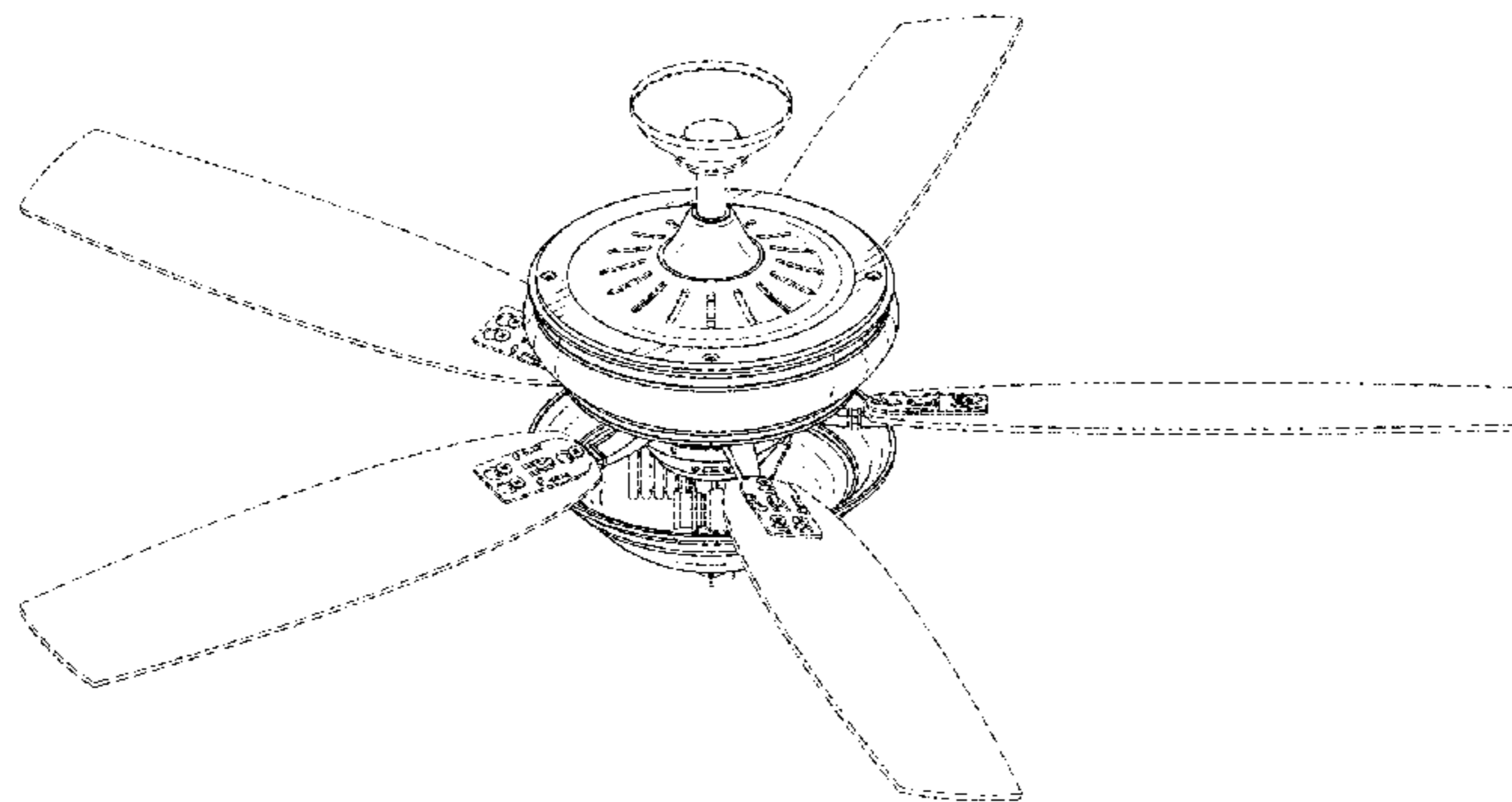
FIG. 5 is a right side elevational view thereof;

FIG. 6 is a top plan view thereof; and,

FIG. 7 is a bottom plan view thereof.

The broken lines in the drawings depict portions of the ceiling fan that form no part of the claimed design.

1 Claim, 5 Drawing Sheets



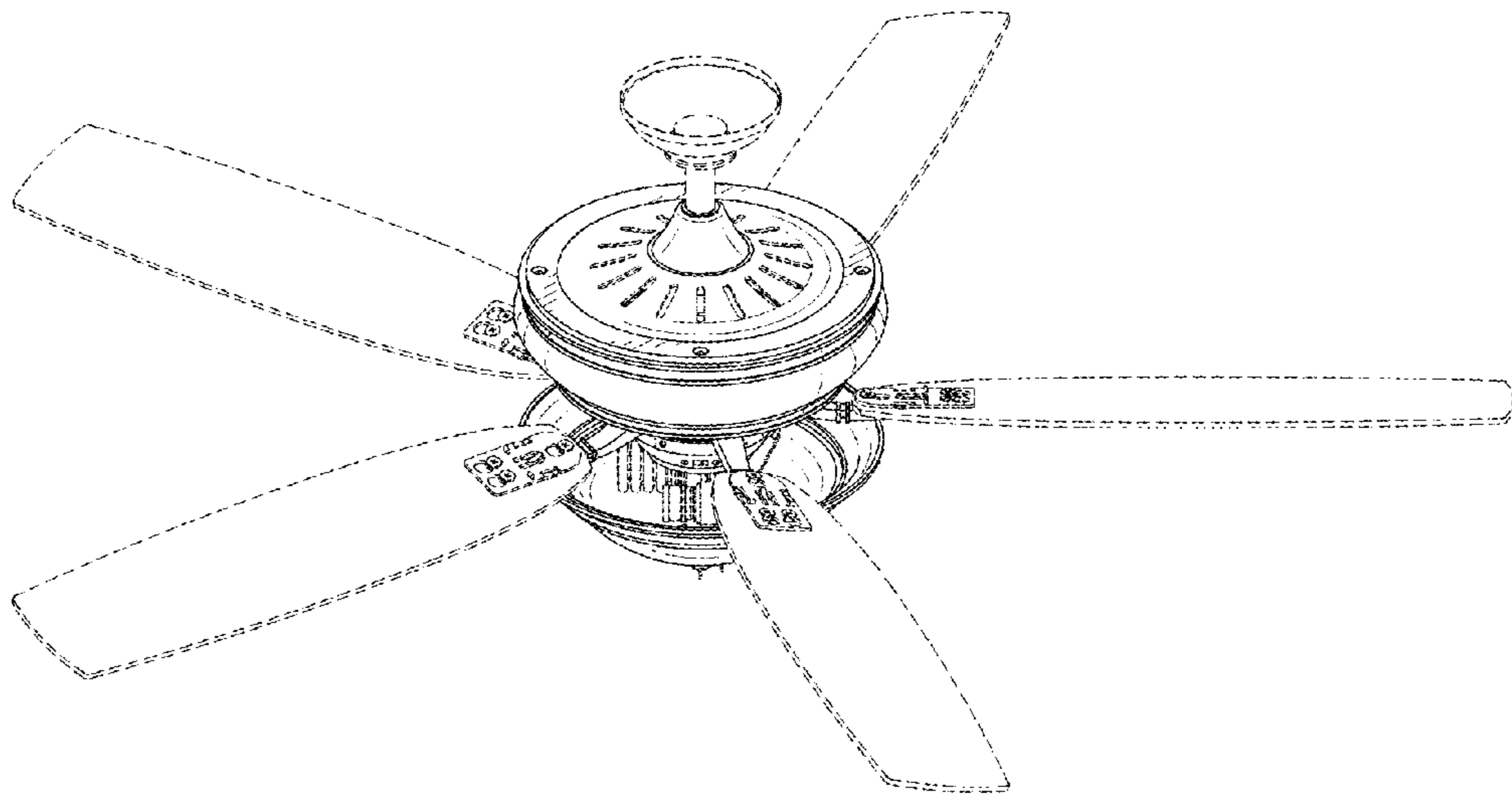


FIG. 1

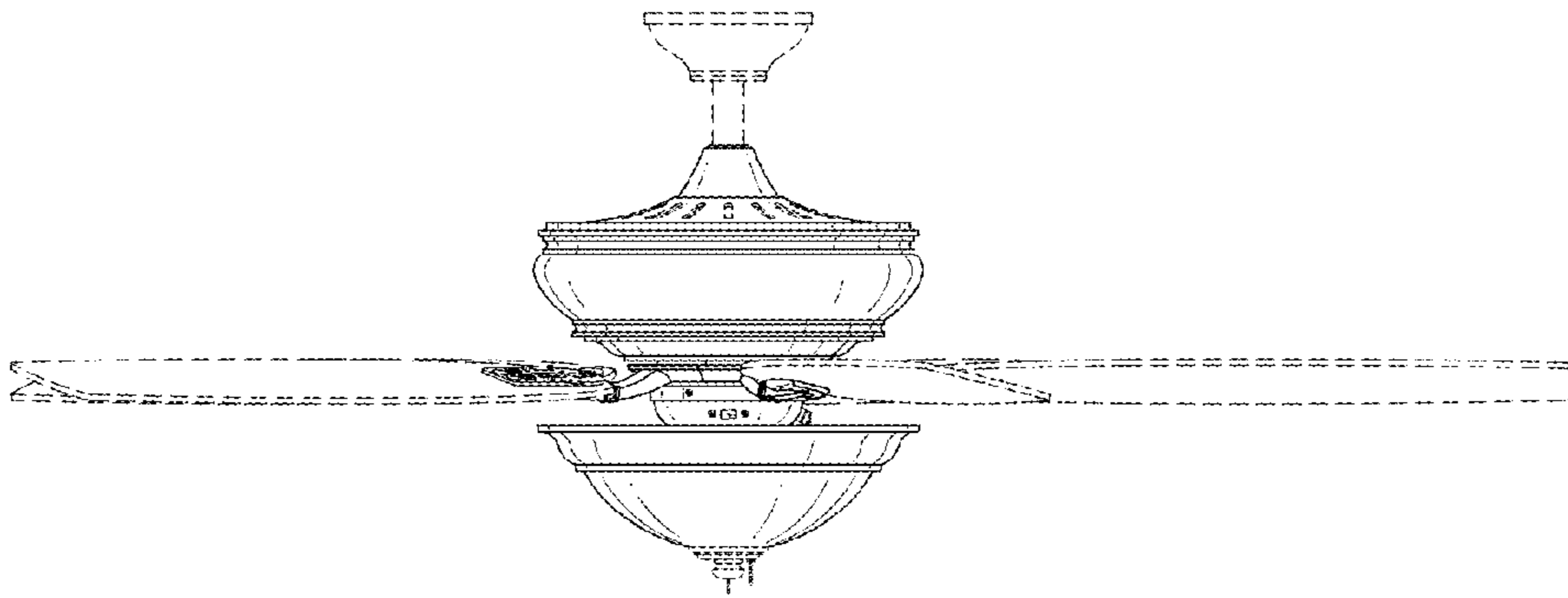


FIG. 2

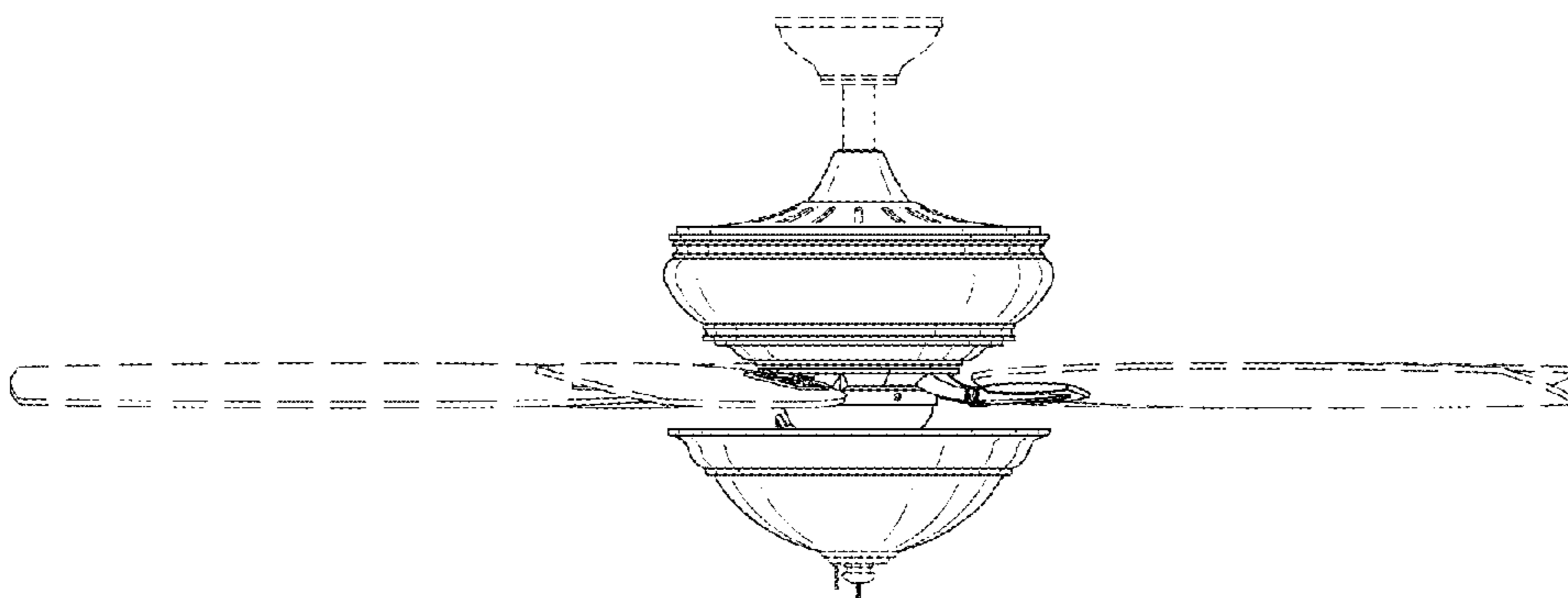


FIG. 3

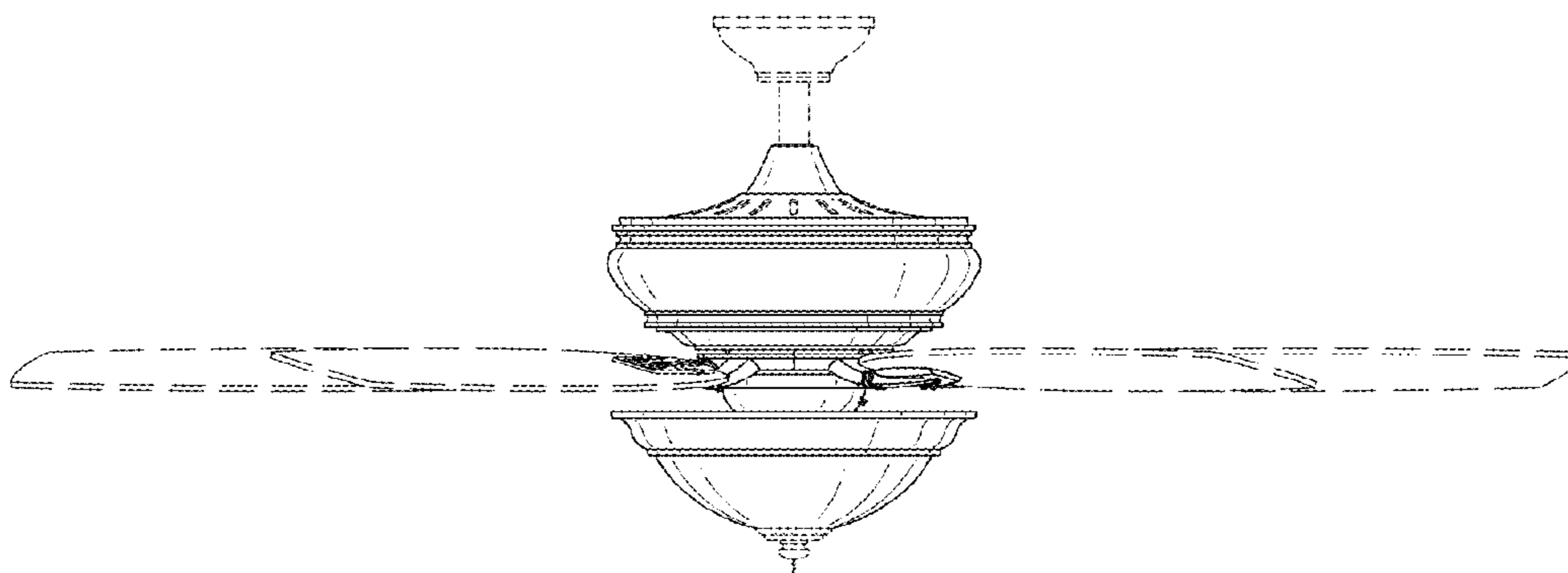


FIG. 4

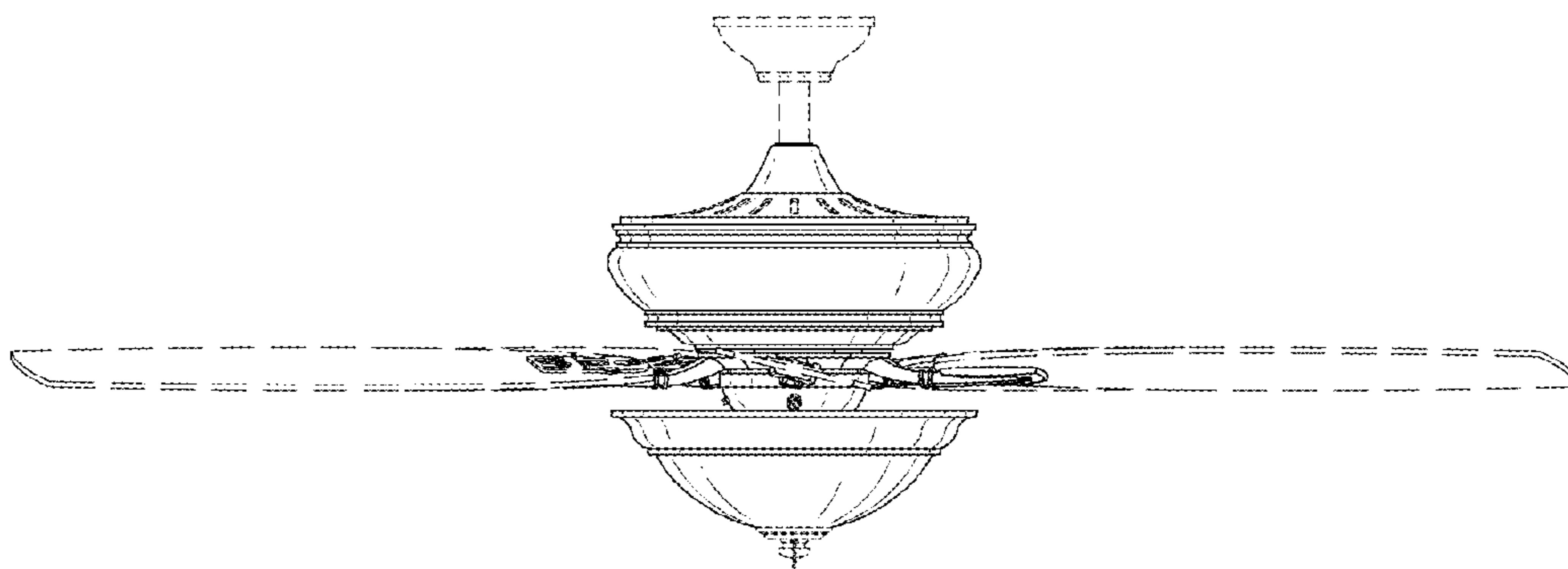


FIG. 5

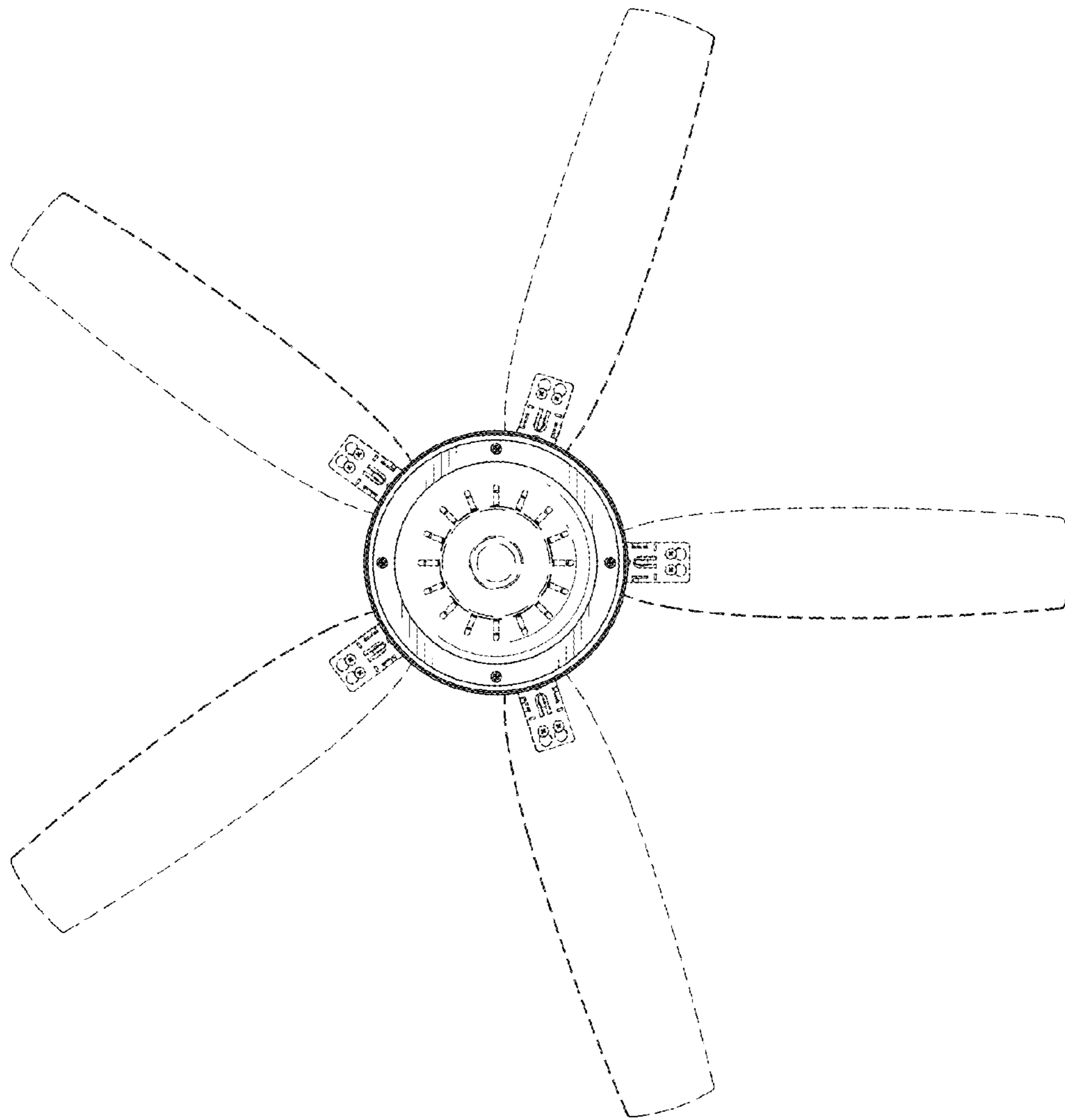


FIG. 6

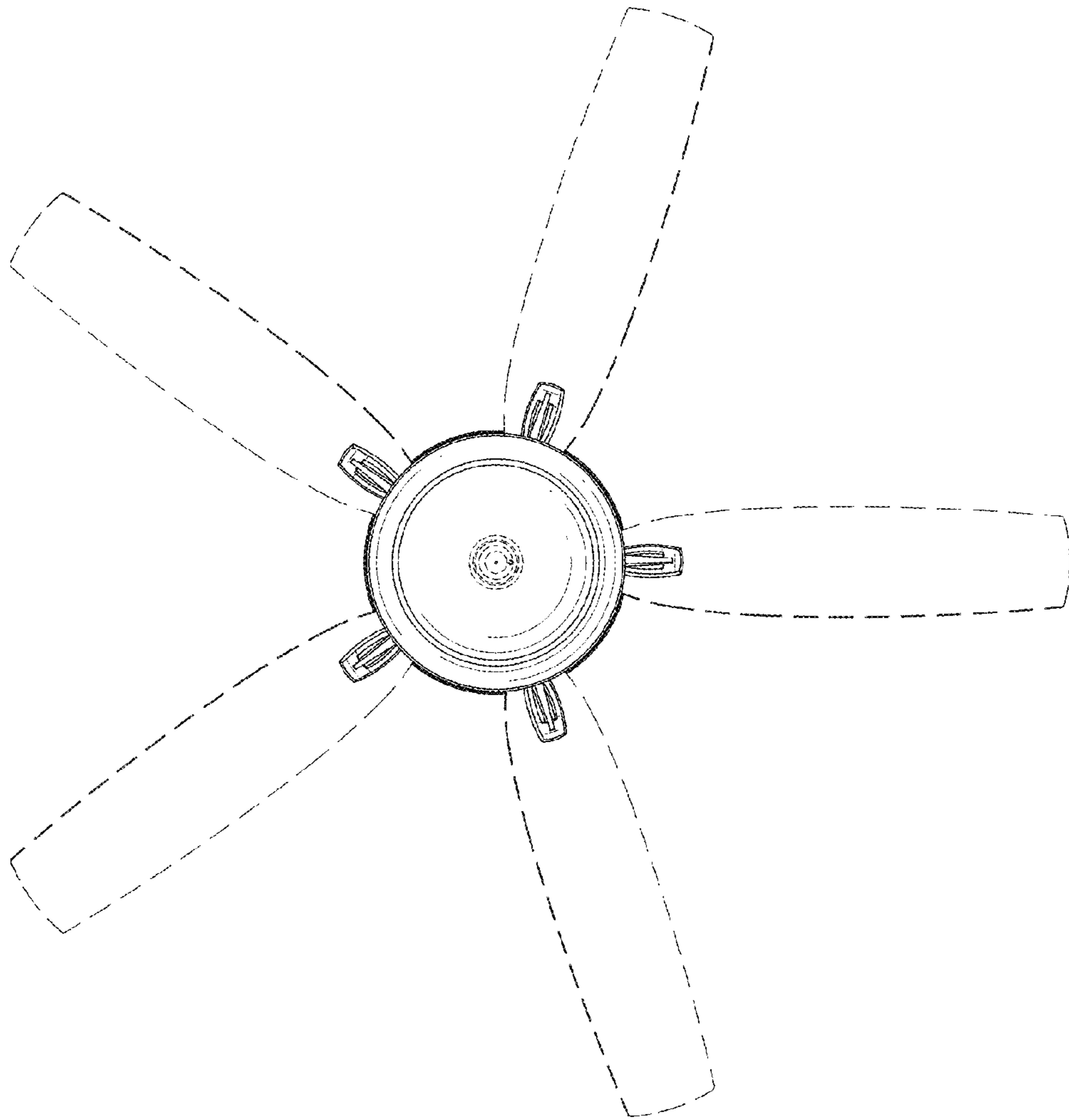


FIG. 7