



US00D715918S

(12) **United States Design Patent**  
**Pan**

(10) **Patent No.:** **US D715,918 S**

(45) **Date of Patent:** **\*\* Oct. 21, 2014**

(54) **CEILING FAN MOTOR HOUSING**  
(71) Applicant: **Air Cool Industrial Co., Ltd.**, Taichung (TW)  
(72) Inventor: **Peter Pan**, Taichung (TW)  
(73) Assignee: **Air Cool Industrial Co., Ltd.**, Taichung (TW)  
(\*\*) Term: **14 Years**

D532,510 S \* 11/2006 Pickett ..... D23/411  
D532,902 S \* 11/2006 Pan ..... D23/411  
D541,406 S \* 4/2007 Pickett ..... D23/411  
D569,494 S \* 5/2008 Pan ..... D23/411  
D580,544 S \* 11/2008 Badarello ..... D23/411  
D580,545 S \* 11/2008 Pickett ..... D23/411  
D621,496 S \* 8/2010 Chen ..... D23/377  
D626,211 S \* 10/2010 Wang ..... D23/411  
D626,212 S \* 10/2010 Shurtleff ..... D23/411  
D648,843 S \* 11/2011 Chen ..... D23/411  
D706,918 S \* 6/2014 Wang ..... D23/411  
D706,919 S \* 6/2014 Wang ..... D23/411  
D707,343 S \* 6/2014 Wang ..... D23/411  
2011/0052411 A1 \* 3/2011 Yamamoto et al. .... 416/244 R

(21) Appl. No.: **29/460,937**

\* cited by examiner

(22) Filed: **Jul. 17, 2013**

(51) **LOC (10) Cl.** ..... **23-04**

(52) **U.S. Cl.**  
USPC ..... **D23/411**

(58) **Field of Classification Search**  
USPC ..... D23/385, 370-384, 411-414, 386-394,  
D23/499; D26/51, 59, 72, 73, 80-86, 88,  
D26/90, 377; 362/96; 416/5, 170 R, 214 R,  
416/184, 206, 207, 210 R, 220 R, 244 R;  
417/423.1; 392/361-364

See application file for complete search history.

(56) **References Cited**

**U.S. PATENT DOCUMENTS**

5,340,277 A \* 8/1994 Whitaker ..... 416/5  
5,462,412 A \* 10/1995 Scofield et al. .... 416/210 R  
5,797,721 A \* 8/1998 Yu ..... 415/5  
D402,362 S \* 12/1998 Pickett ..... D23/377  
D480,793 S \* 10/2003 Burns ..... D23/411  
D485,344 S \* 1/2004 Tai ..... D23/377  
D523,951 S \* 6/2006 Pickett ..... D23/411  
D529,168 S \* 9/2006 Hidalgo ..... D23/411

*Primary Examiner* — Susan Bennett Hattan

*Assistant Examiner* — Marie Fast Horse

(74) *Attorney, Agent, or Firm* — Ming Chow; Sinorica, LLC

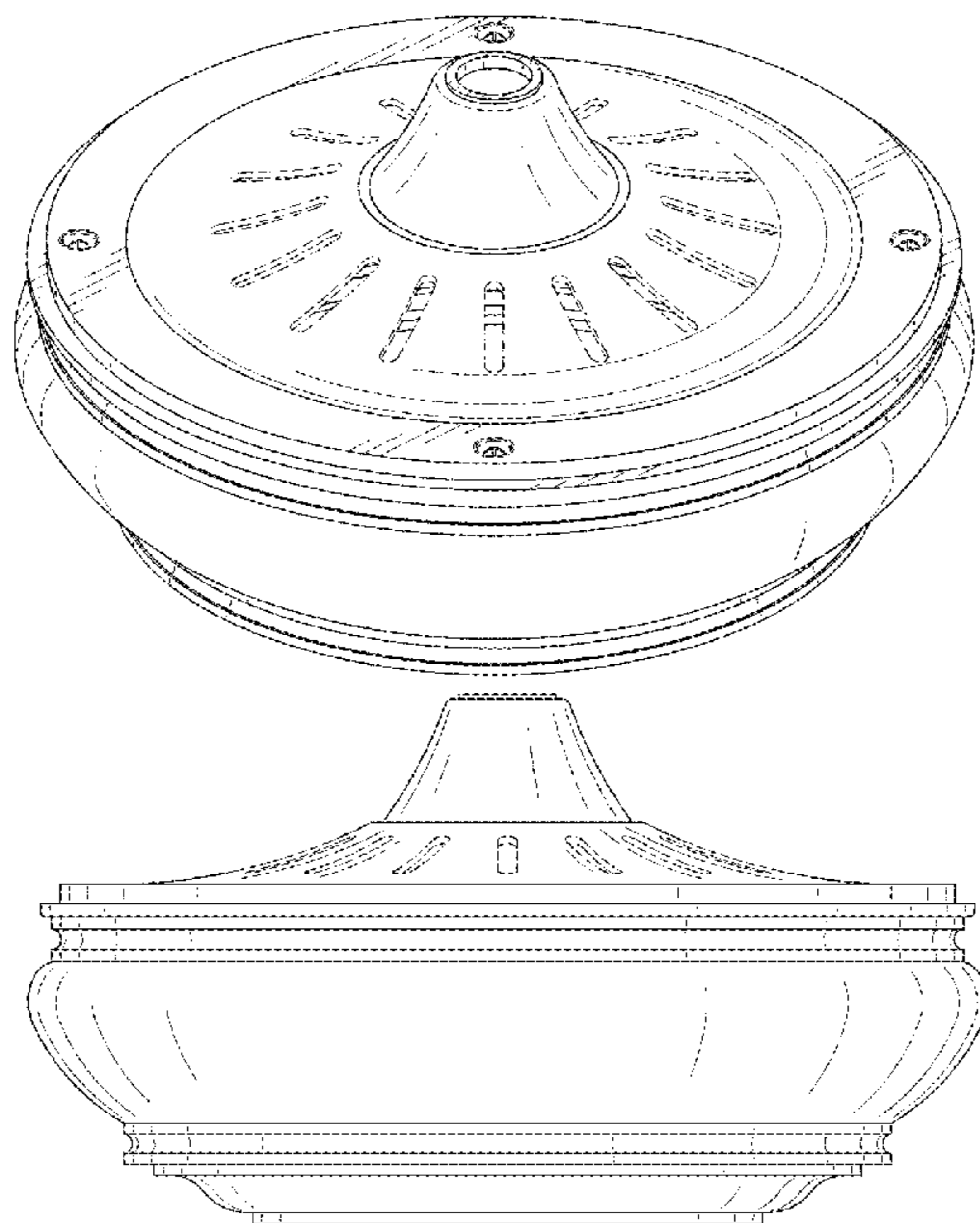
(57) **CLAIM**

I claim the ornamental design for a ceiling fan motor housing, as shown and described.

**DESCRIPTION**

FIG. 1 is a front perspective view of a ceiling fan motor housing showing my new design;  
FIG. 2 is a front elevational view thereof;  
FIG. 3 is a rear elevational view thereof.  
FIG. 4 is a left side elevational view thereof;  
FIG. 5 is a right side elevational view thereof;  
FIG. 6 is a top plan view thereof; and,  
FIG. 7 is a bottom plan view thereof.  
The broken lines in the drawings depict portions of the ceiling fan motor housing that form no part of the claimed design.

**1 Claim, 5 Drawing Sheets**



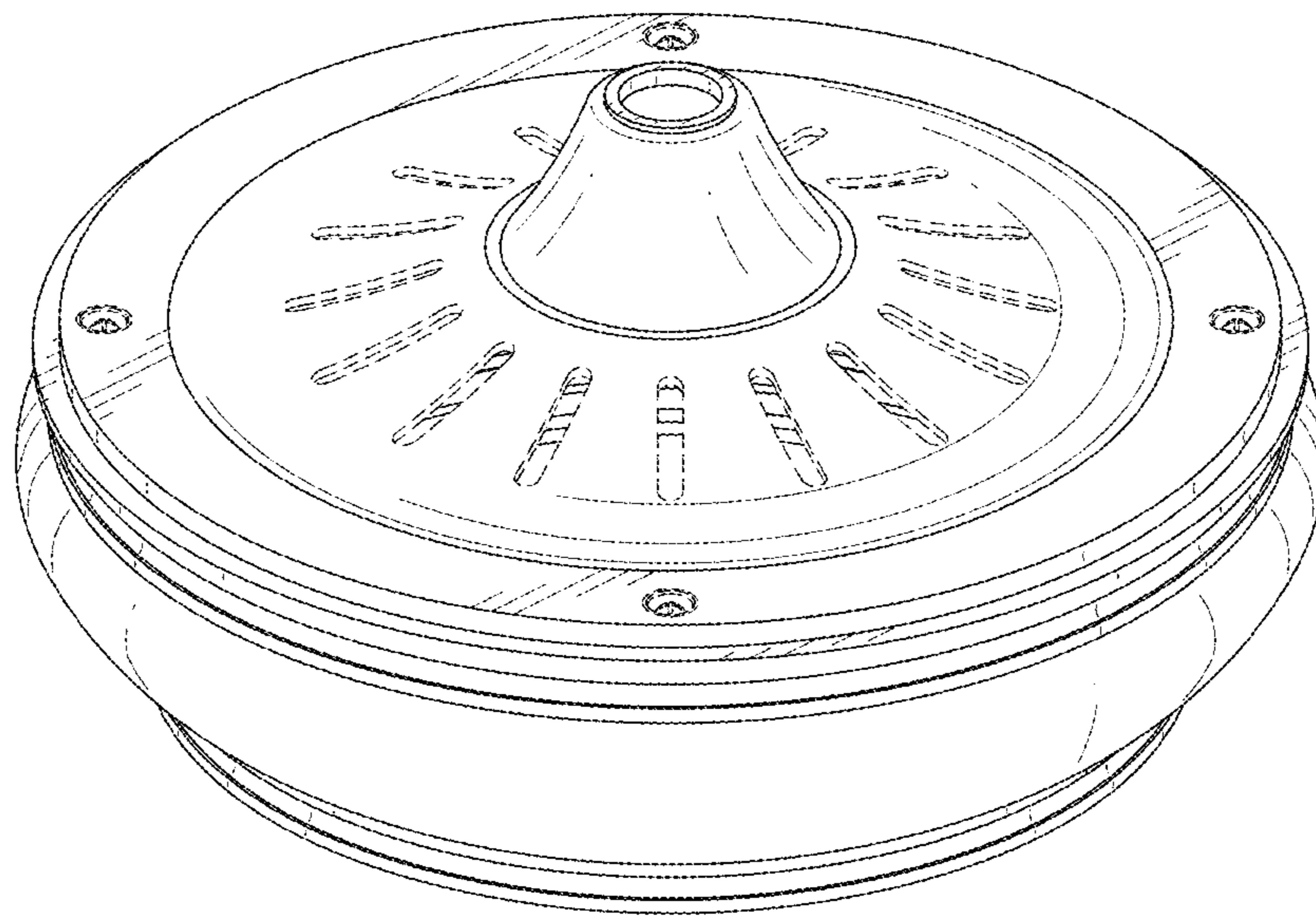


FIG. 1

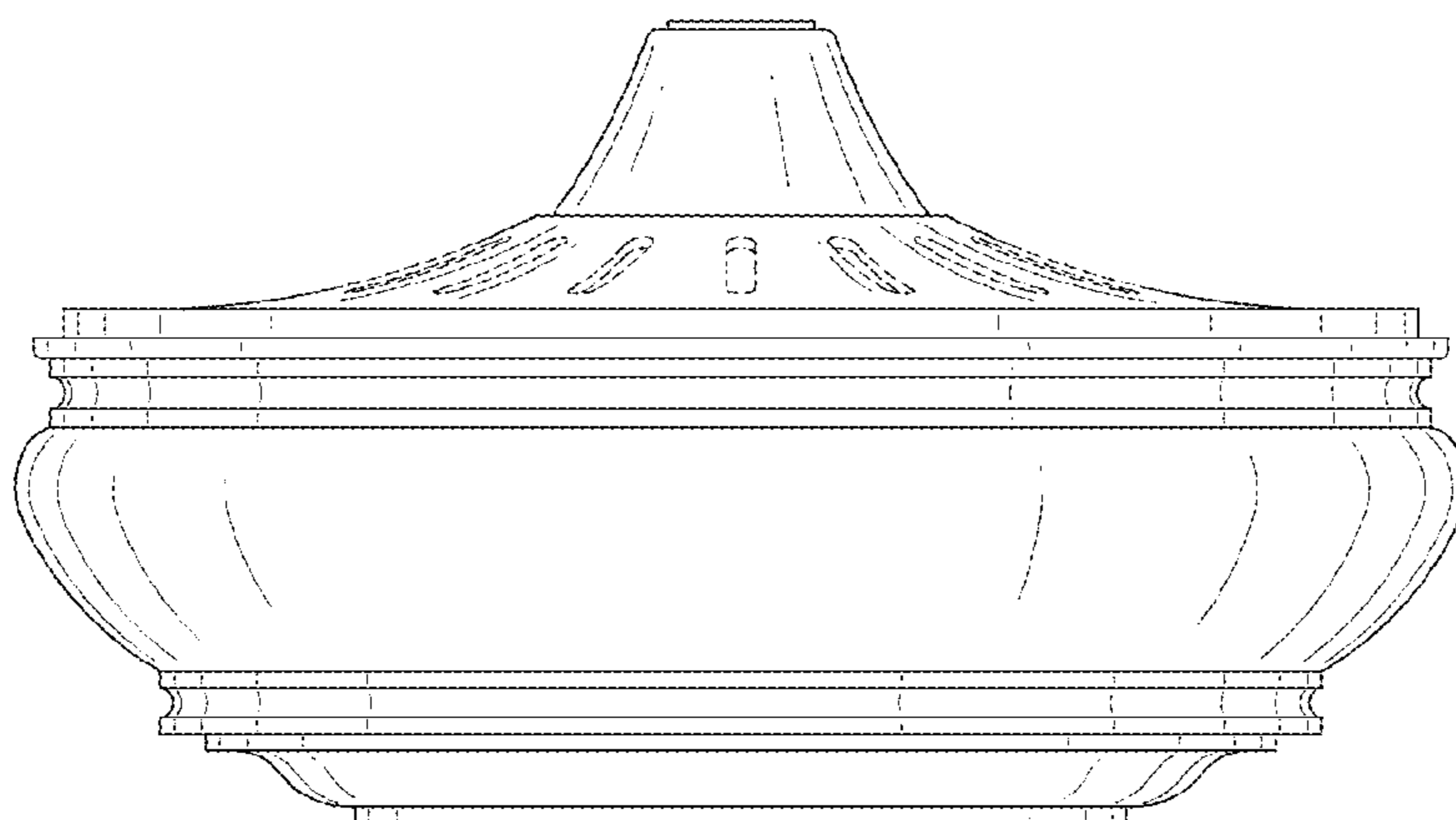


FIG. 2

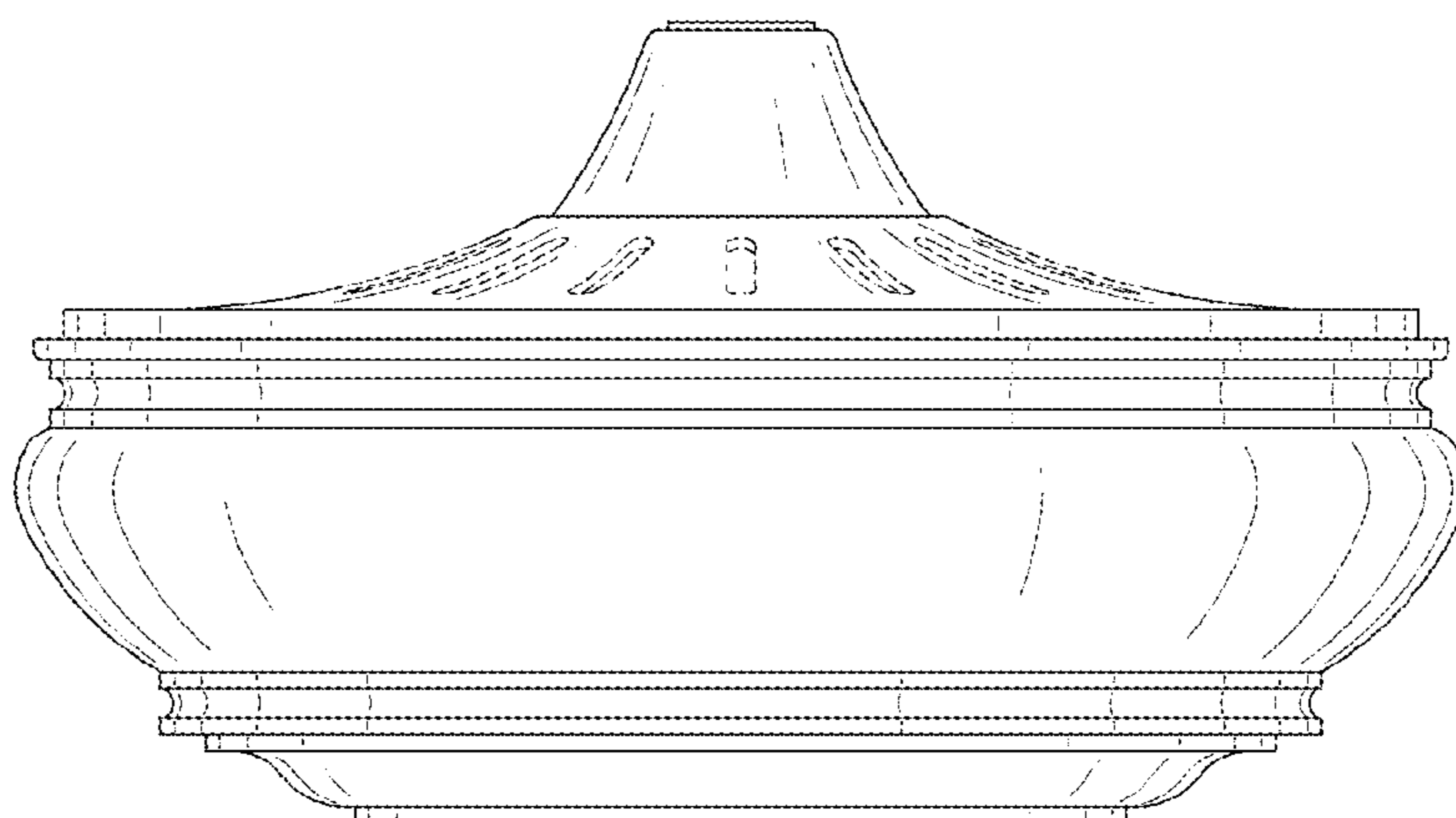


FIG. 3

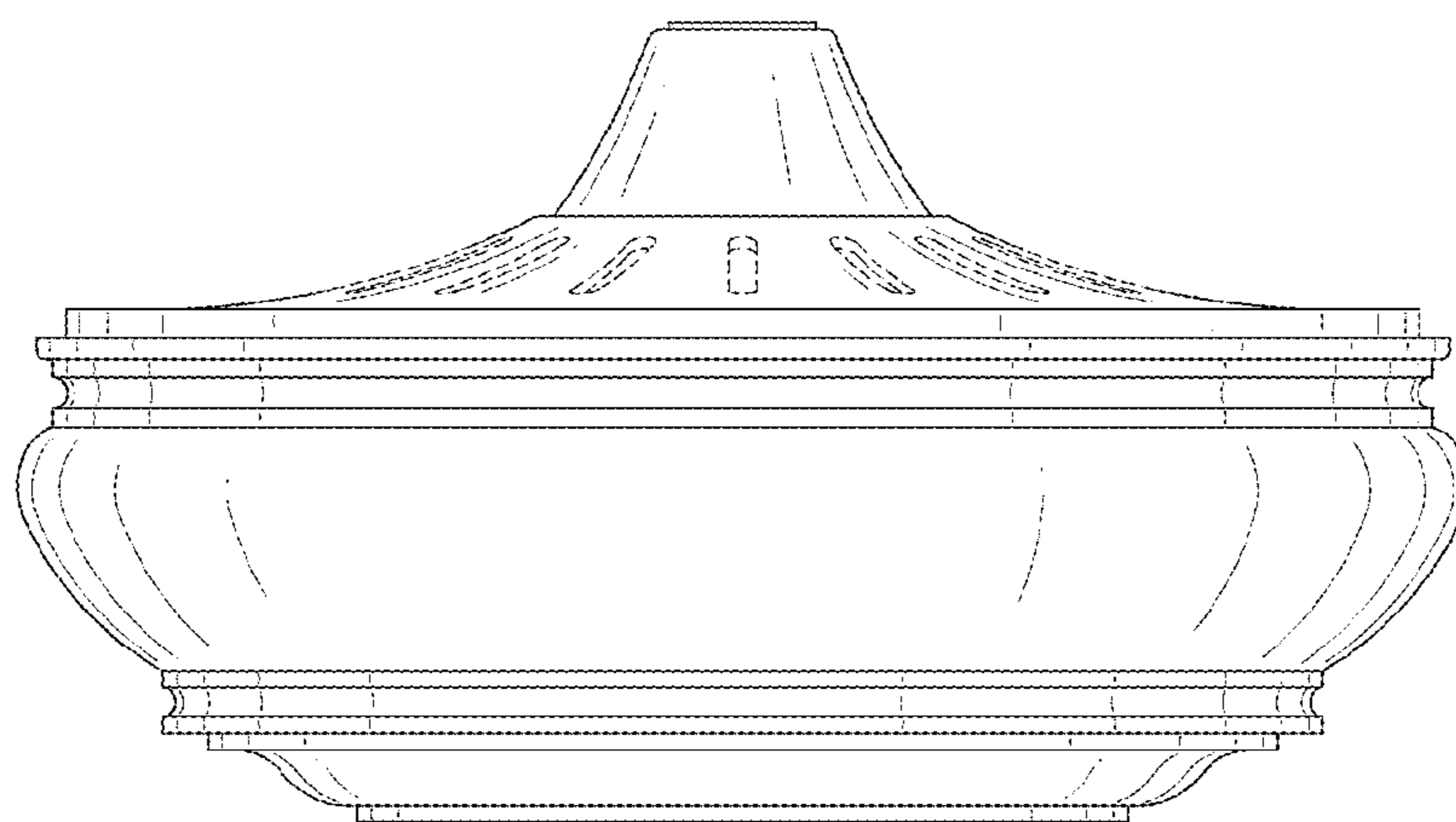


FIG. 4

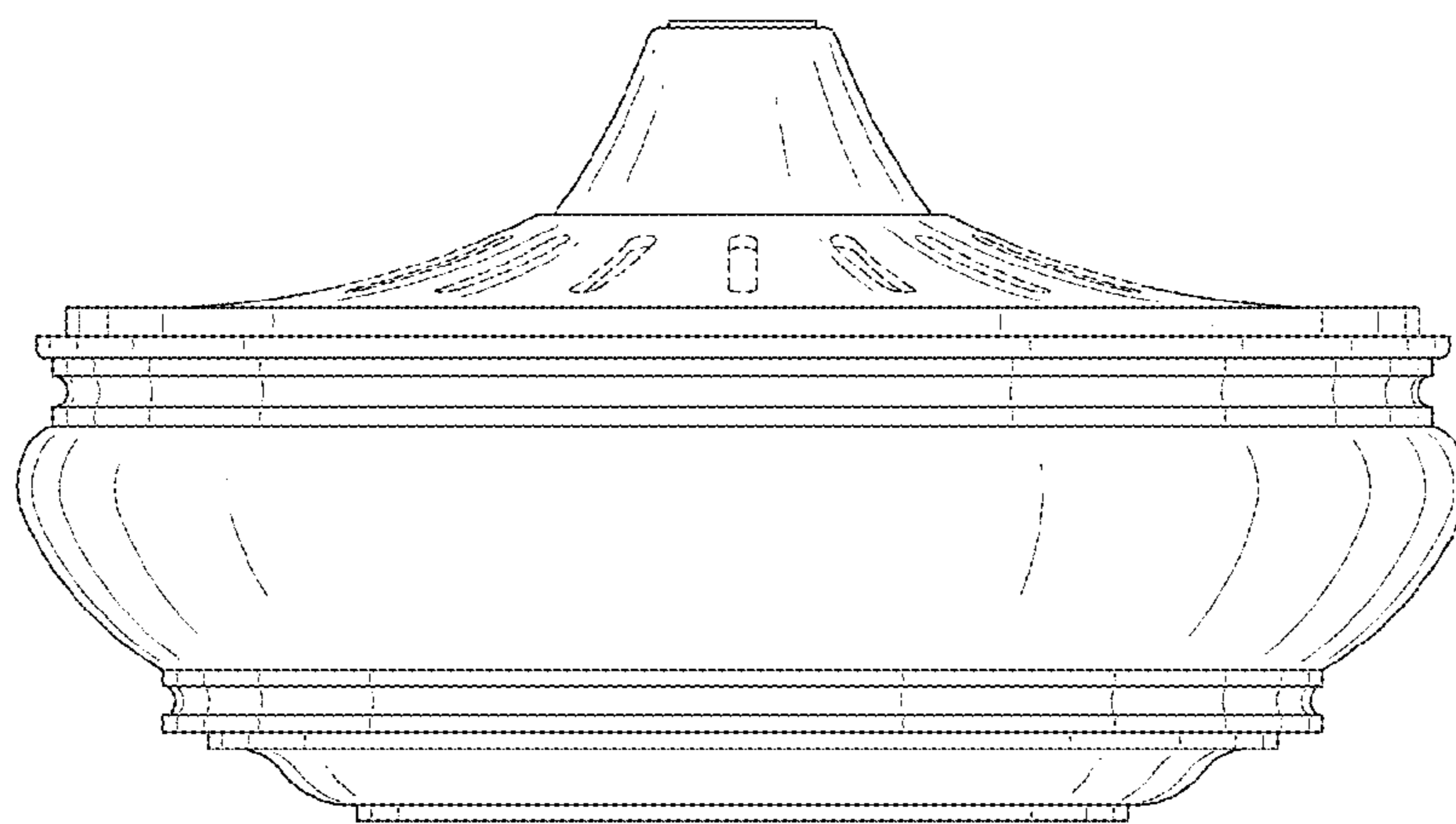


FIG. 5

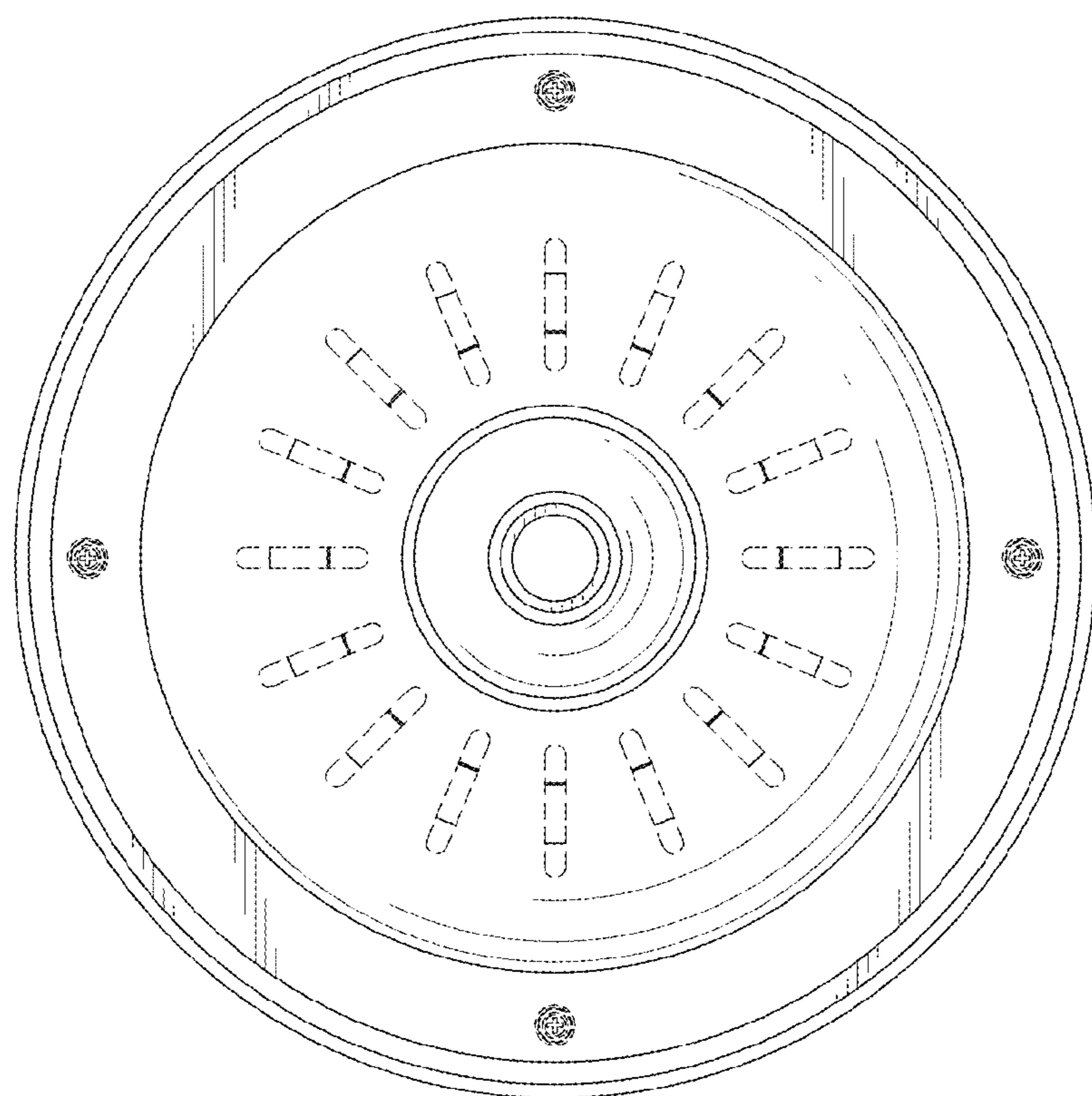


FIG. 6

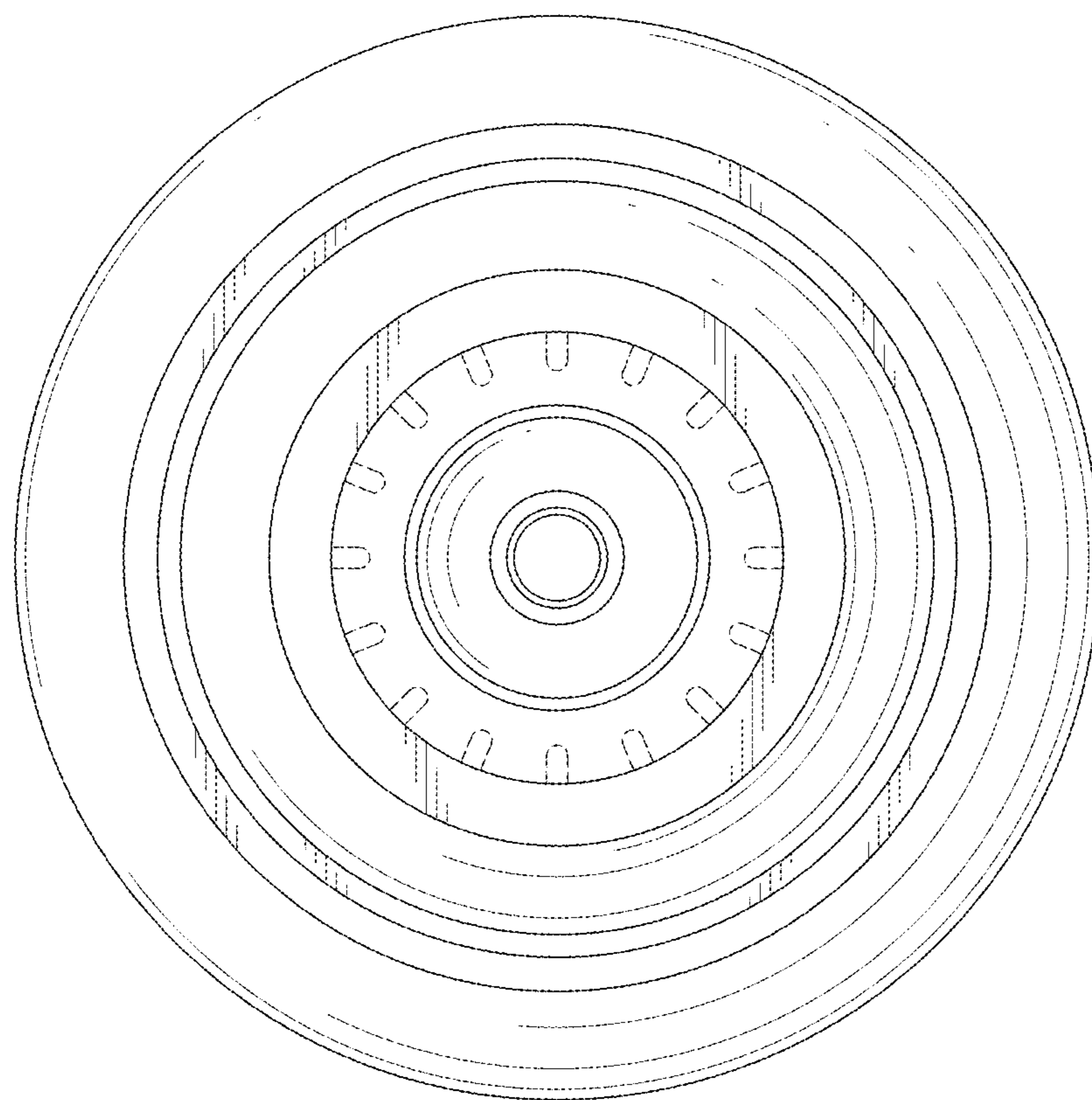


FIG. 7