



US00D715917S

(12) **United States Design Patent**
Hidalgo

(10) **Patent No.:** **US D715,917 S**

(45) **Date of Patent:** **** Oct. 21, 2014**

(54) **CEILING FAN**

(71) Applicant: **Minka Lighting, Inc.**, Corona, CA (US)

(72) Inventor: **Rolando Hidalgo**, Yorba Linda, CA (US)

(73) Assignee: **Minka Lighting, Inc.**, Corona, CA (US)

(**) Term: **14 Years**

(21) Appl. No.: **29/449,655**

(22) Filed: **Mar. 15, 2013**

(51) **LOC (10) Cl.** **23-04**

(52) **U.S. Cl.**

USPC **D23/377**

(58) **Field of Classification Search**

CPC F04D 29/088

USPC D23/377, 370-376, 378-385, 411-414,
D23/386-394, 499; 416/5, 170 R, 214 R,
416/184, 206, 207, 210 R, 220 R, 244 R,
416/248; 417/423.1; 392/364

See application file for complete search history.

(56) **References Cited**

U.S. PATENT DOCUMENTS

23,324	A *	3/1859	Thompson	416/210 R
145,857	A *	12/1873	Fletcher	416/210 R
671,527	A *	4/1901	Philips	416/207
2,810,513	A *	10/1957	McVeigh	416/220 R
3,912,200	A *	10/1975	Foral	244/17.11
D275,884	S *	10/1984	Bushong	D23/414
4,592,702	A *	6/1986	Bogage	416/247 R
D323,028	S *	1/1992	Holbrook	D23/377
5,330,323	A *	7/1994	Swanson	416/219 A
D377,975	S *	2/1997	Young	D23/377
6,250,886	B1 *	6/2001	Immell et al.	416/214 R
6,382,917	B1 *	5/2002	Zuege	416/210 R

7,384,242	B2 *	6/2008	Ming	416/210 R
D607,988	S *	1/2010	Oleson et al.	D23/377
D635,237	S *	3/2011	Fizer	D23/377
7,927,071	B2 *	4/2011	Parker et al.	416/62
D641,075	S *	7/2011	Fizer et al.	D23/411
D663,829	S *	7/2012	Allen et al.	D23/377
D692,119	S *	10/2013	Rasmussen	D23/379
8,579,588	B1 *	11/2013	Boyd	416/5

(Continued)

OTHER PUBLICATIONS

The Levon 8 Blade Ceiling Fan (Spec Sheet Pdf). Fanimation.com [online] p. 1 of 3. Printed Jan. 2009 Posted May 26, 2009 [retrieved on Jun. 11, 2014]. Retrieved from Internet: <http://www.fanimation.com/support/download_pdf.html?media_id=2426>.*

Primary Examiner — Susan Bennett Hattan

Assistant Examiner — Marie Fast Horse

(74) *Attorney, Agent, or Firm* — Baker & McKenzie LLP

(57) **CLAIM**

The ornamental design for a ceiling fan, as shown and described.

DESCRIPTION

FIG. 1 is a perspective view of a ceiling fan showing an embodiment in accordance with my design;

FIG. 2 is a top plan view of the ceiling fan in accordance with my design;

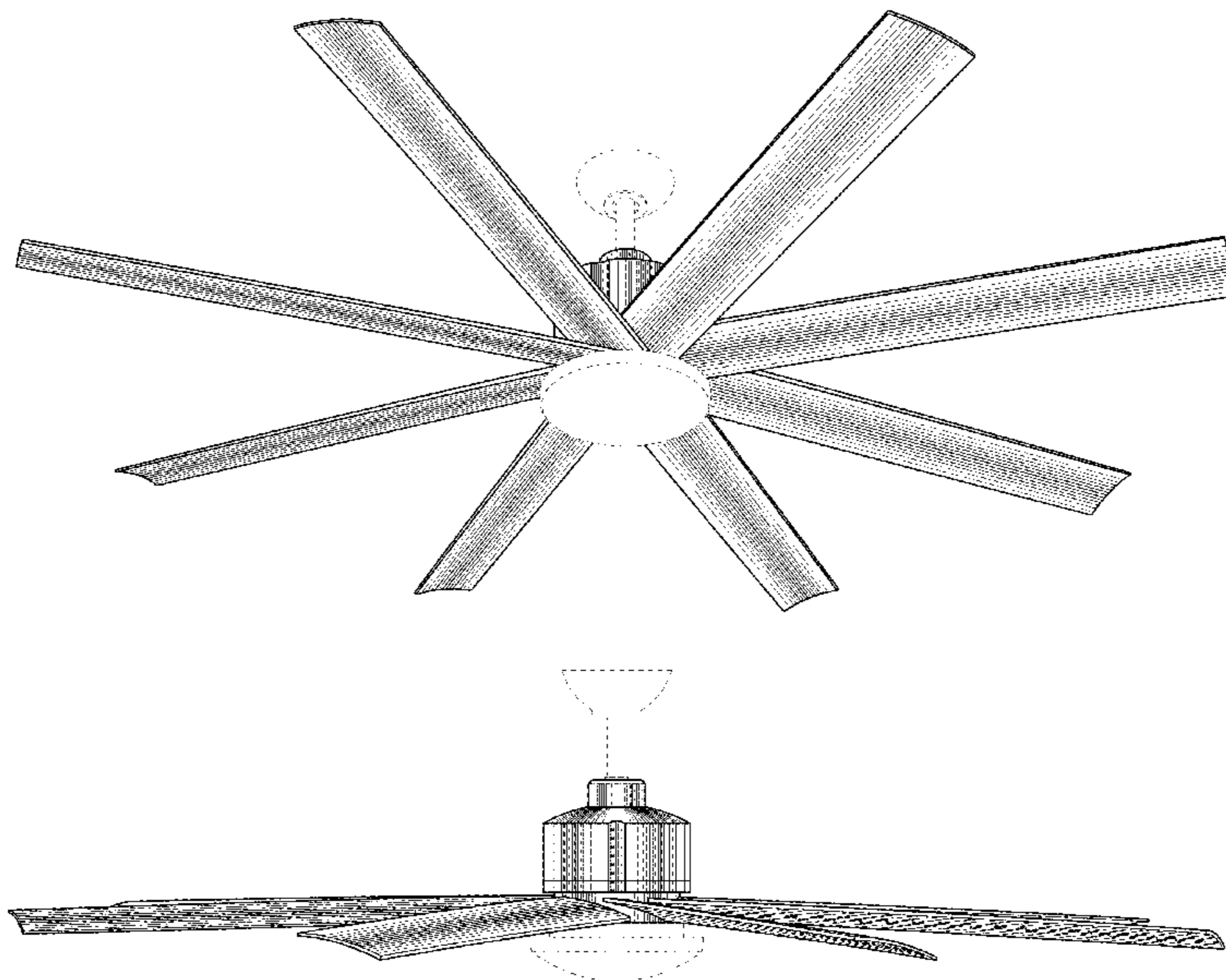
FIG. 3 is a bottom plan view of the ceiling fan in accordance with my design;

FIG. 4 is a right-side elevation view of the ceiling fan in accordance with my design; and,

FIG. 5 is a left-side elevation view of the ceiling fan in accordance with my design.

The broken lines showing the environmental structure are for illustrative purposes and form no part of the claimed design.

1 Claim, 4 Drawing Sheets



(56)

References Cited

U.S. PATENT DOCUMENTS

2004/0131470	A1 *	7/2004	Boyd	416/210	R	2011/0262278	A1 *	10/2011	Fizer et al.	416/220	R
2009/0185909	A1 *	7/2009	Hornig et al.	416/220	R	2013/0315742	A1 *	11/2013	Alves	416/206	
2009/0208333	A1 *	8/2009	Smith et al.	416/5		2013/0336790	A1 *	12/2013	Wortman et al.	416/170	R
							2014/0072431	A1 *	3/2014	Smith et al.	416/170	R
							2014/0093385	A1 *	4/2014	Boyd et al.	416/244	R

* cited by examiner

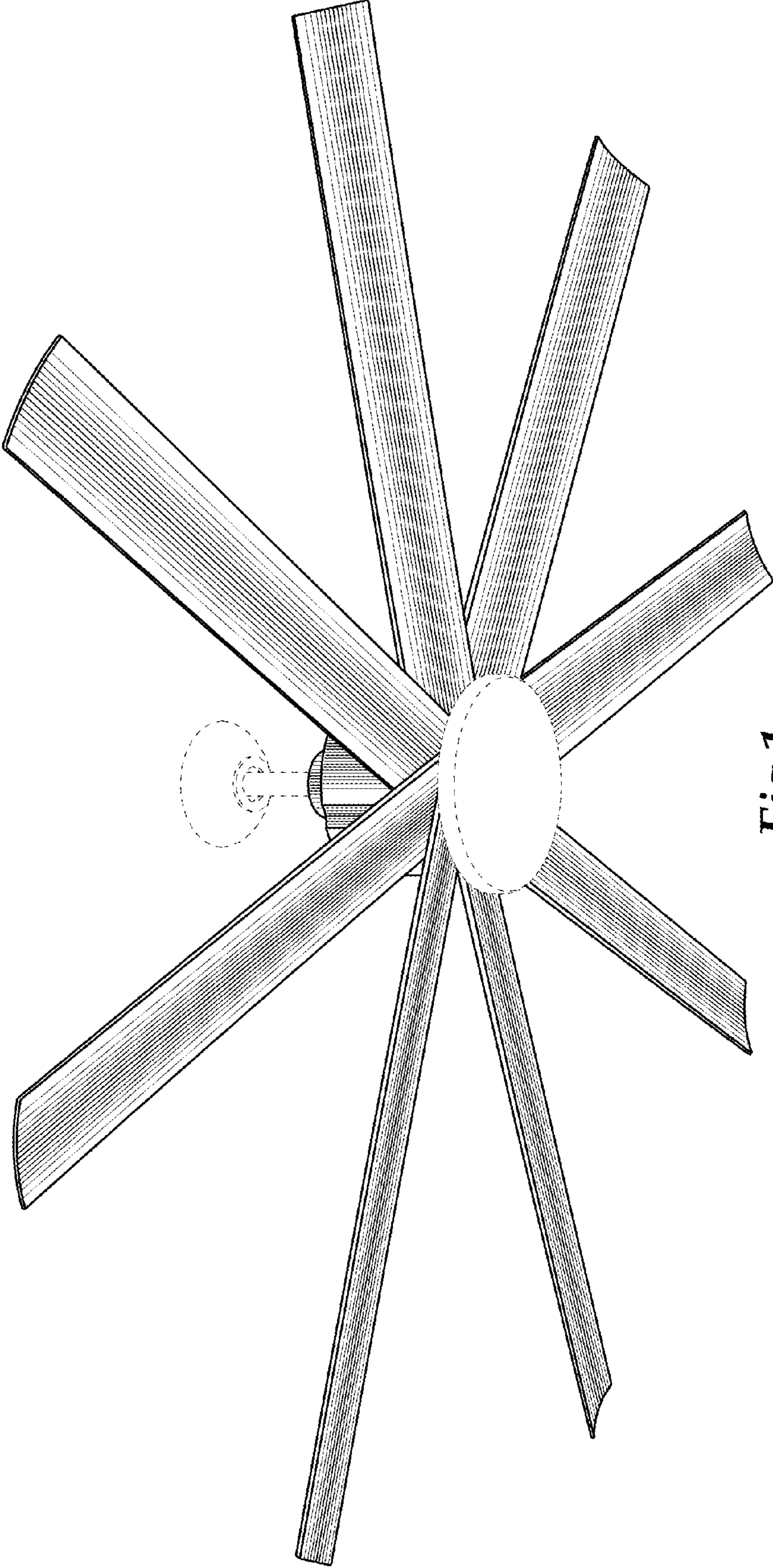


Fig. 1

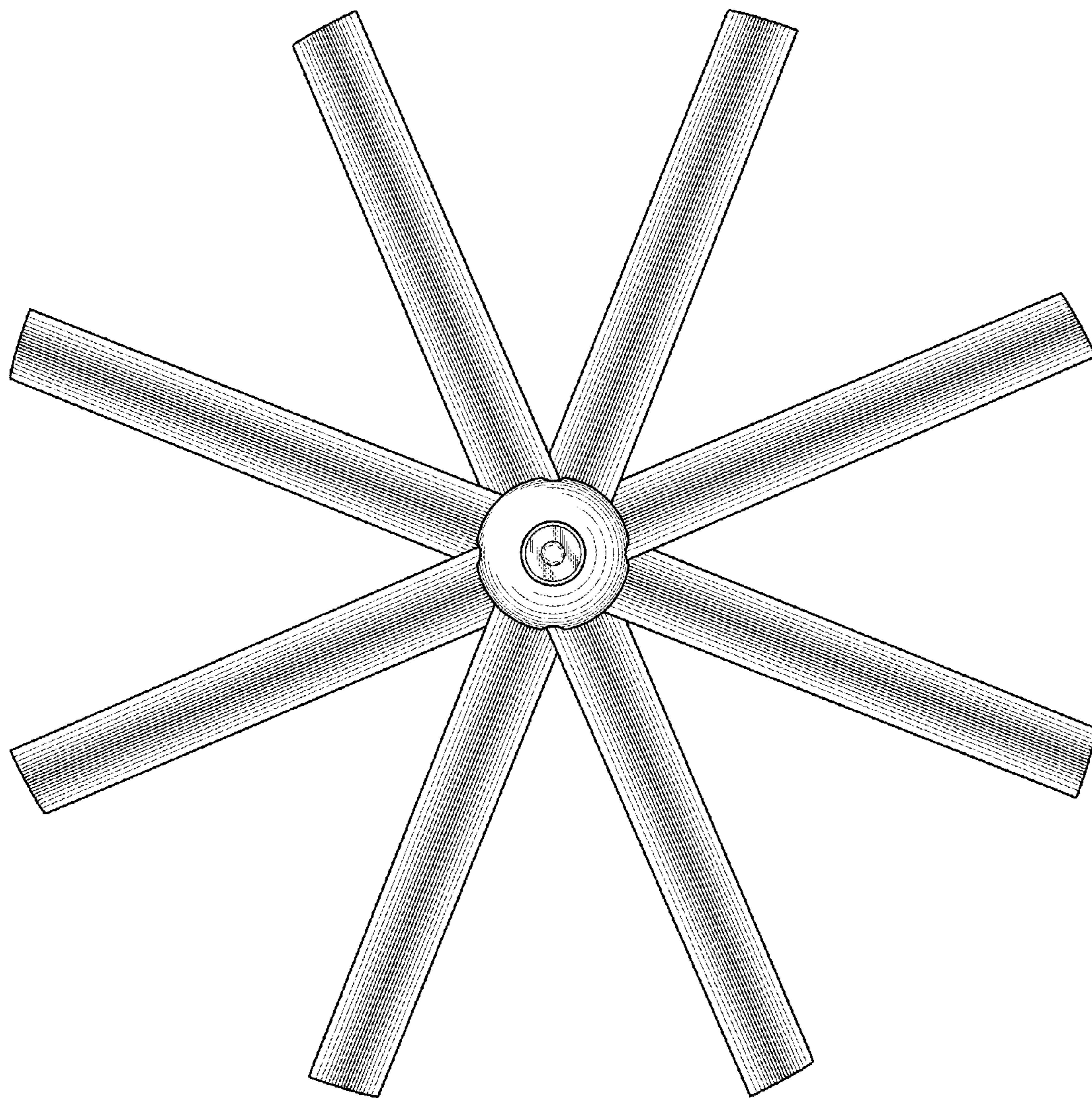


Fig.2

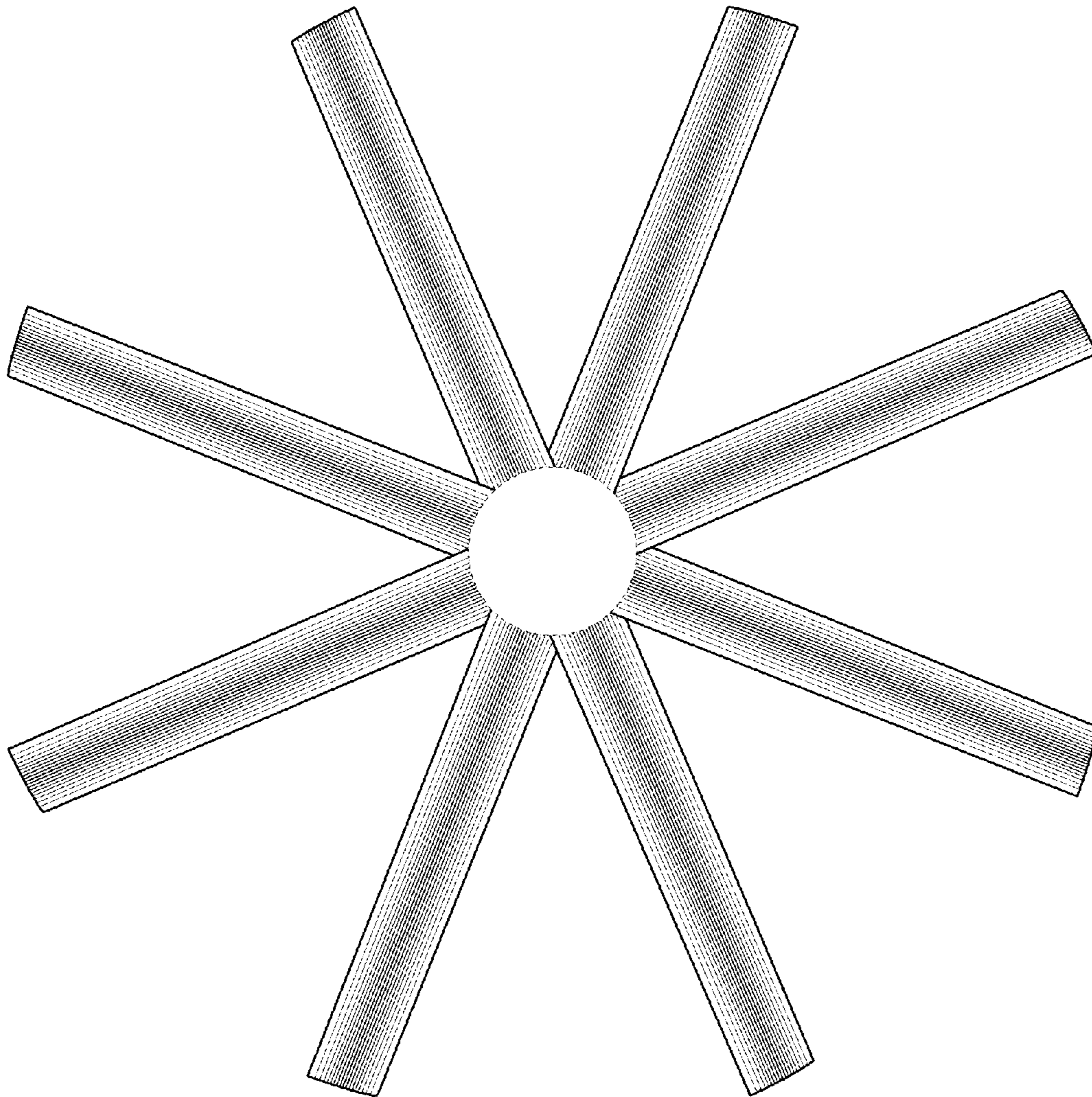


Fig.3

