



US00D715916S

(12) **United States Design Patent**
Bisla et al.

(10) **Patent No.:** **US D715,916 S**

(45) **Date of Patent:** **** Oct. 21, 2014**

(54) **NOVELTY FAN**

(71) Applicants: **Jagdip S. Bisla**, Fresno, CA (US);
Robby Chima, Fresno, CA (US)

(72) Inventors: **Jagdip S. Bisla**, Fresno, CA (US);
Robby Chima, Fresno, CA (US)

(73) Assignee: **Jagdip S. Bisla**, Fresno, CA (US)

(**) Term: **14 Years**

(21) Appl. No.: **29/480,988**

(22) Filed: **Jan. 31, 2014**

Related U.S. Application Data

(62) Division of application No. 29/465,080, filed on Aug. 23, 2013, now Pat. No. Des. 699,830, and a division of application No. 29/416,823, filed on Mar. 27, 2012, now Pat. No. Des. 690,804.

(51) **LOC (10) Cl.** **23-04**

(52) **U.S. Cl.**
USPC **D23/370; D23/381**

(58) **Field of Classification Search**
USPC D23/314, 324, 328, 332, 335, 336, 342,
D23/355, 370, 381, 382, 386, 411, 412, 413,
D23/414, 377, 378, 379; D26/32, 57, 59,
D26/73, 94, 125, 145, 146, 147, 156;
D12/197; D10/6; D29/102, 103, 107;
D7/301; 2/171.3, 411, 418, 420, 425;
410/10; 415/90, 121.2, 181, 182.1,
415/208.2, 209.2, 211.2; 416/110, 206,
416/240, 244 R, 246, 247 R

See application file for complete search history.

(56) **References Cited**

U.S. PATENT DOCUMENTS

D149,284 S *	4/1948	Lippincott	D23/336
D241,163 S *	8/1976	Zivica	D14/189
D249,396 S *	9/1978	Kamata	D29/107
4,519,099 A *	5/1985	Kamiya et al.	2/424
D292,823 S *	11/1987	St. Clair	D23/382
D306,203 S *	2/1990	Wei	D23/381
D320,476 S *	10/1991	Mele	D29/103
5,058,212 A *	10/1991	Kamata	2/424
D326,148 S *	5/1992	Lawlor	D23/382
D376,641 S *	12/1996	Bucher	D23/377
D379,222 S *	5/1997	Kuo	D23/411
D382,953 S *	8/1997	Kuo	D23/377
D406,404 S *	3/1999	Simpson	D29/107
D416,083 S *	11/1999	Altman	D23/381
D418,255 S *	12/1999	Hohdorf	D29/107
D456,885 S *	5/2002	Schmitt	D23/328
D461,152 S *	8/2002	Schmitt	D12/197
D461,935 S *	8/2002	Hahm	D29/107
6,823,531 B1 *	11/2004	Chen	2/171.3
D690,804 S *	10/2013	Bisla et al.	D23/370
D699,830 S *	2/2014	Bisla et al.	D23/370

* cited by examiner

Primary Examiner — Martie K Holtje

(74) *Attorney, Agent, or Firm* — Blue Capital Law Firm, P.C.

(57) **CLAIM**

The ornamental design for a novelty fan, as shown and described.

DESCRIPTION

FIG. 1 is a perspective view of a novelty fan showing our new design;

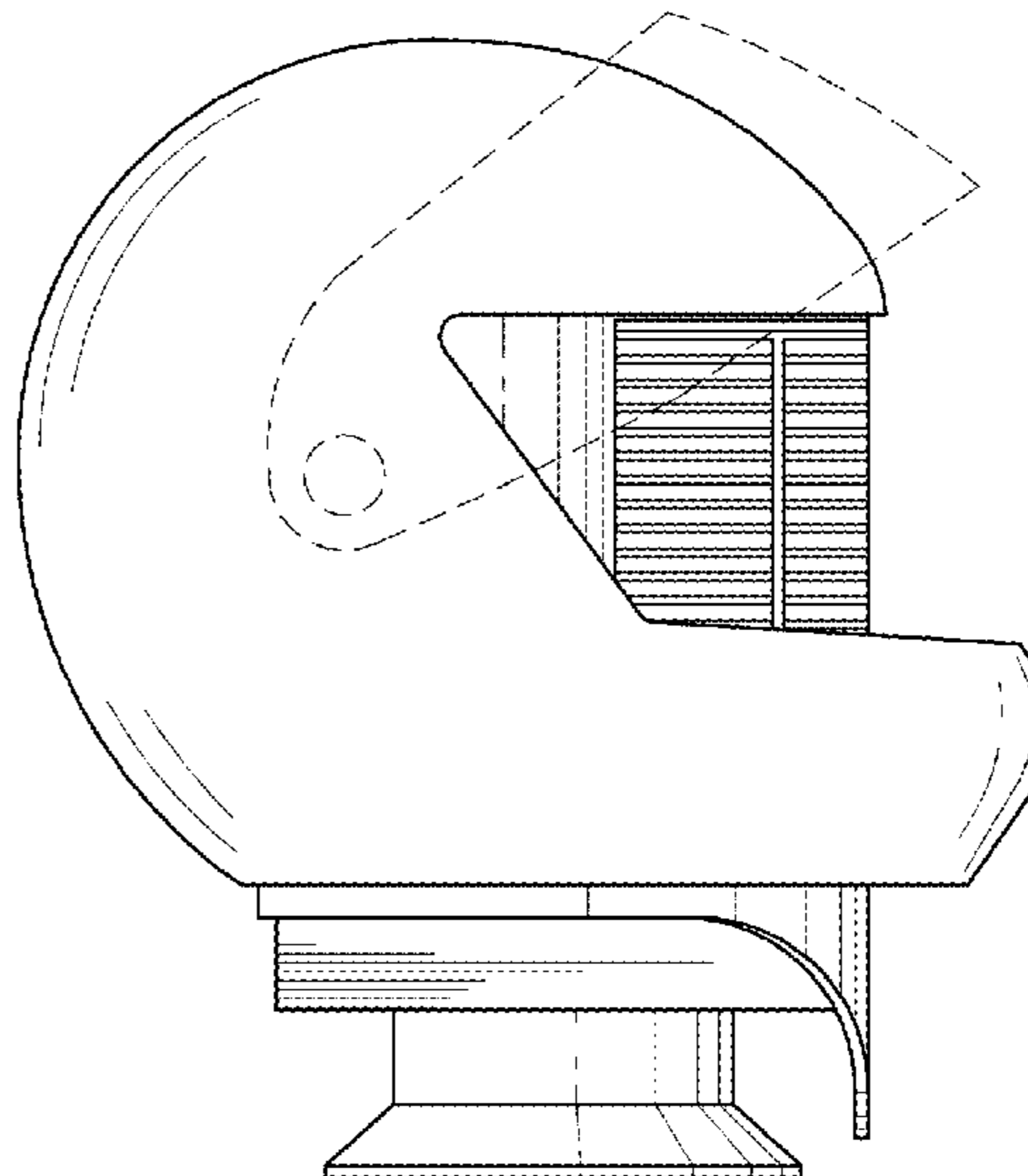
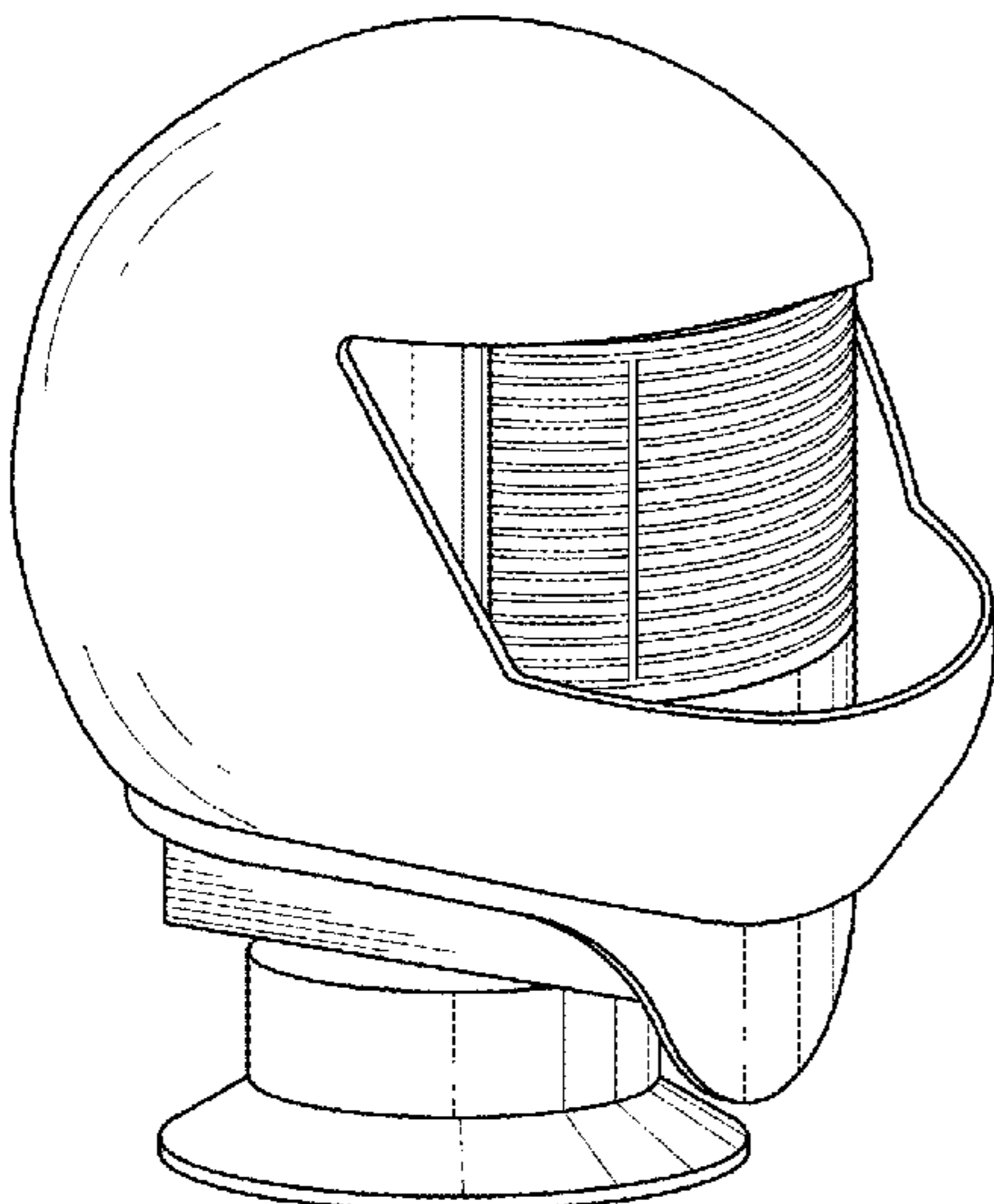
FIG. 2 is a side elevational view thereof;

FIG. 3 is a front elevational view thereof; and,

FIG. 4 is a rear elevational view thereof.

The visor element depicted by broken lines in FIG. 2 has been shown for the purpose of illustrating a portion of the novelty fan that forms no part of the claimed design.

1 Claim, 2 Drawing Sheets



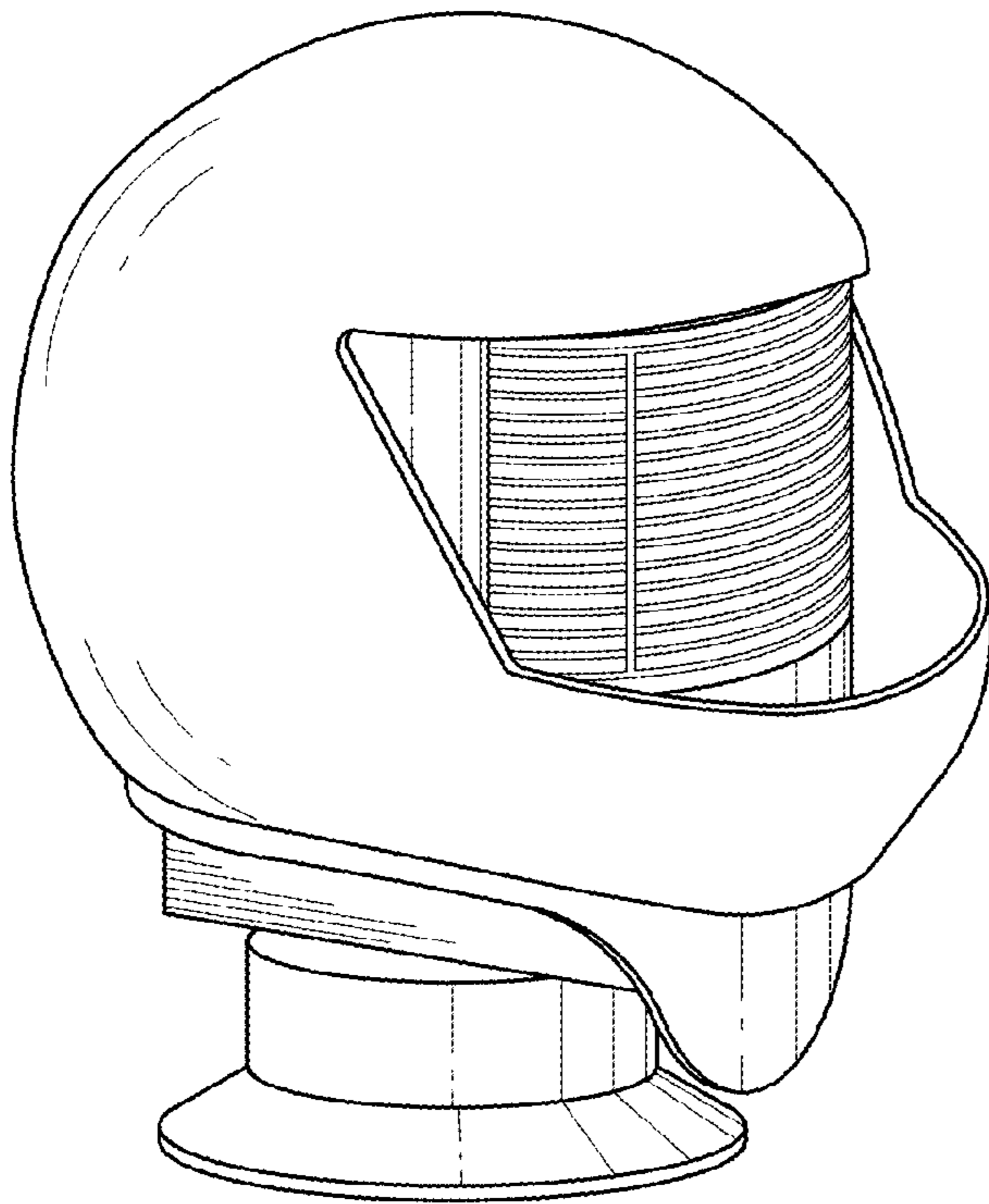


FIG. 1

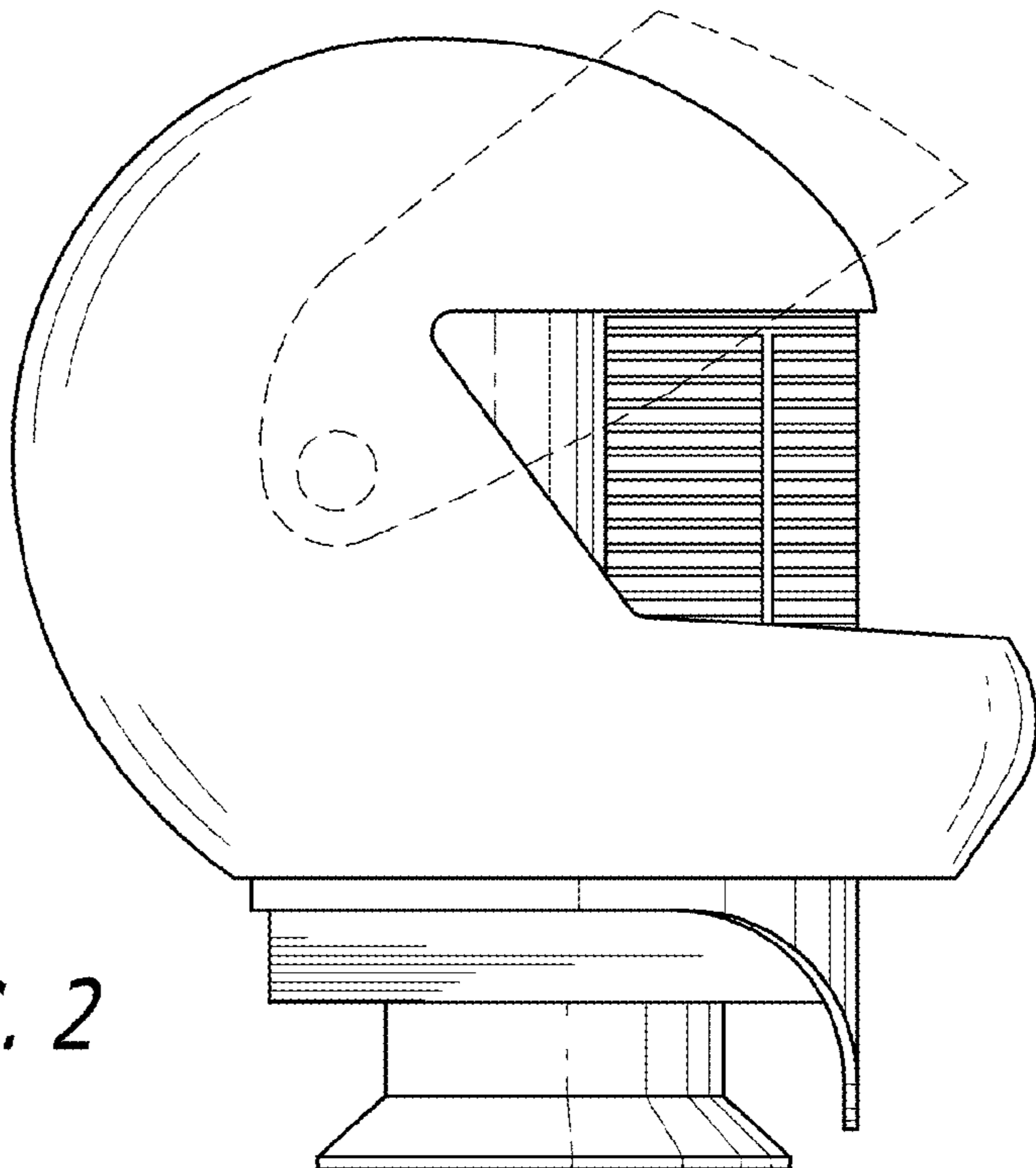


FIG. 2

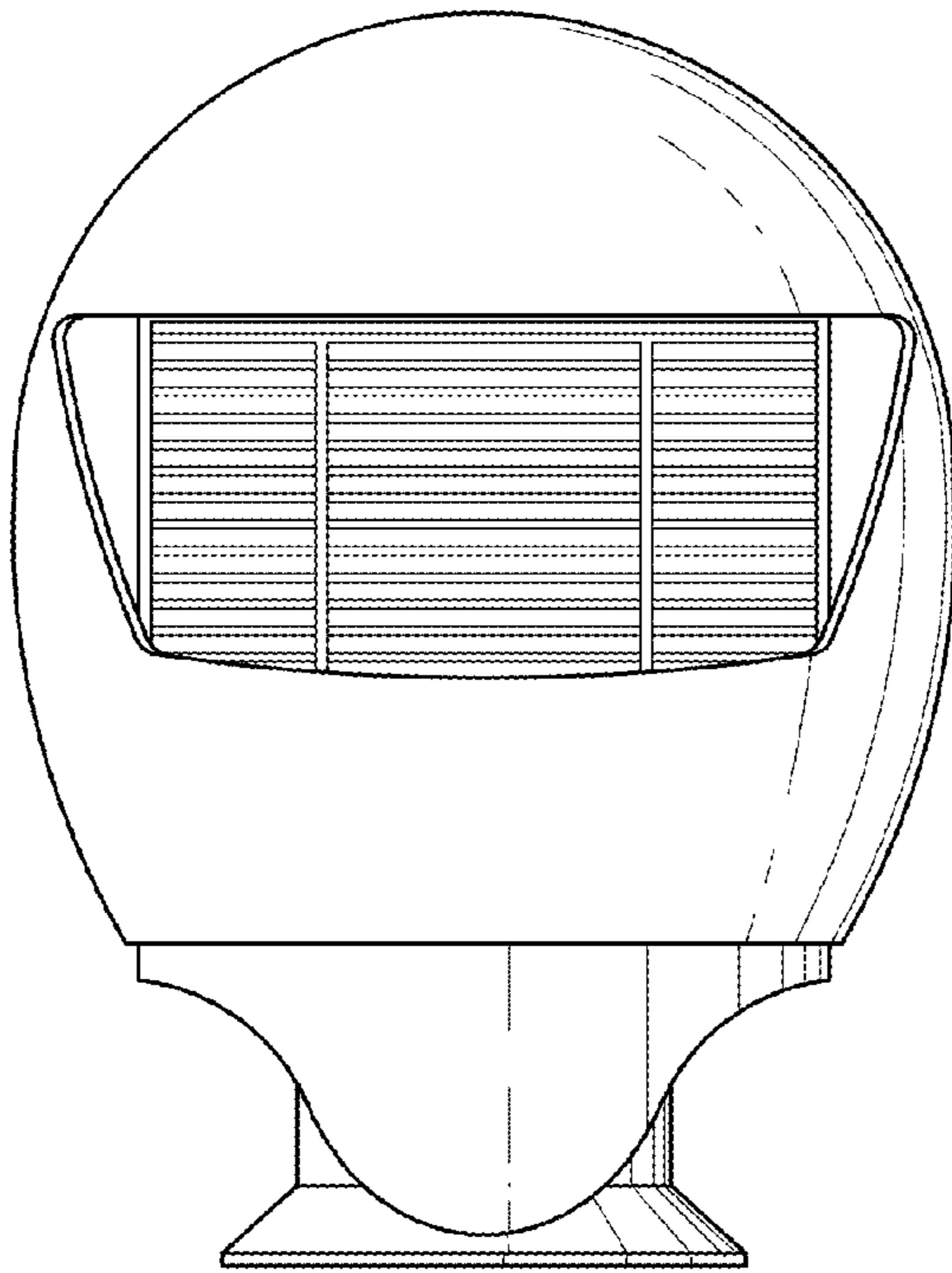


FIG. 3

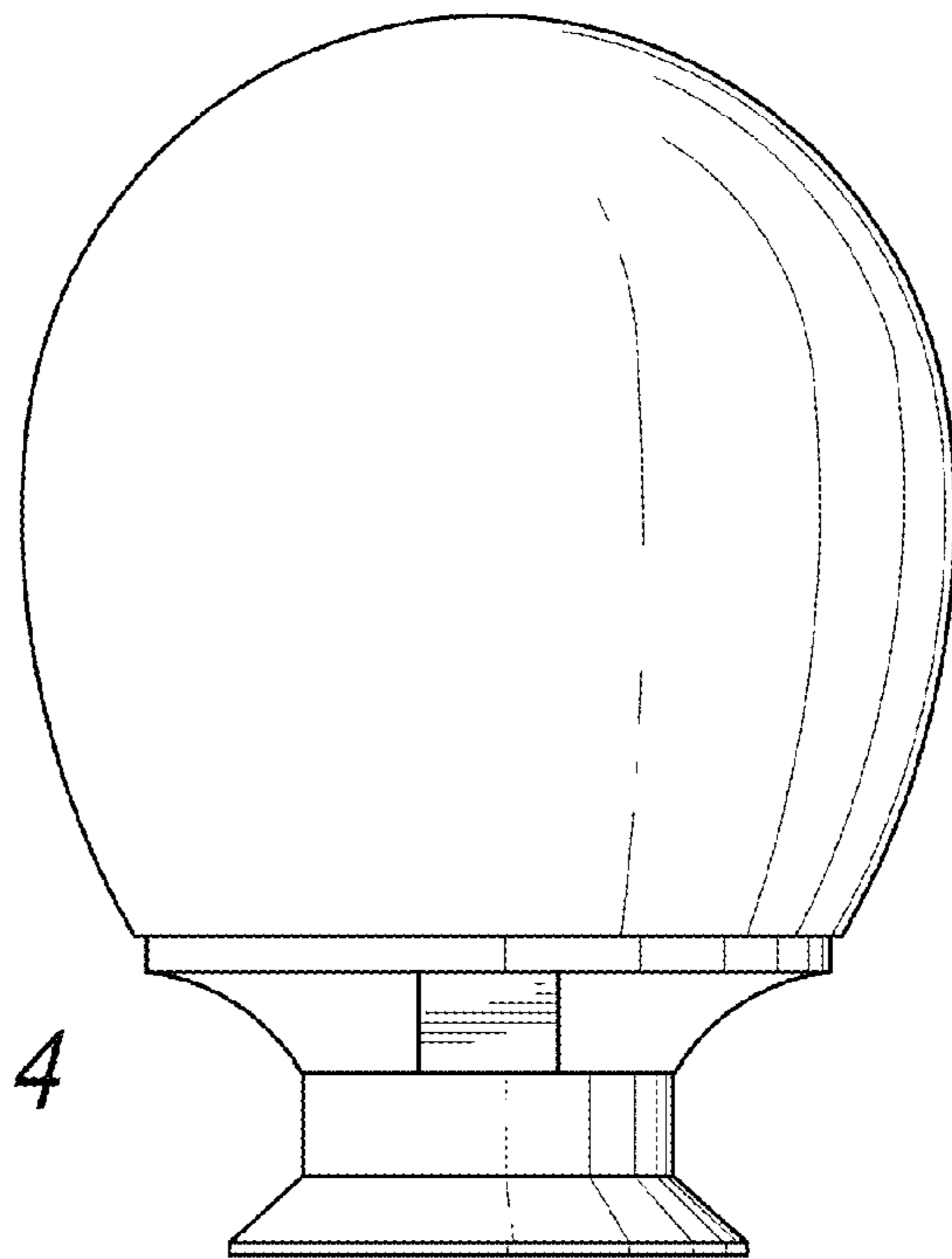


FIG. 4