



US00D715915S

(12) **United States Design Patent**  
**Schouten**

(10) **Patent No.:** **US D715,915 S**  
(45) **Date of Patent:** **\*\* Oct. 21, 2014**

(54) **AIR FRESHENER**

(71) Applicant: **Hopkins Manufacturing Corporation,**  
Emporia, KS (US)

(72) Inventor: **Pieter Schouten,** Berkeley, CA (US)

(73) Assignee: **Hopkins Manufacturing Corporation,**  
Emporia, KS (US)

(\*\*) Term: **14 Years**

(21) Appl. No.: **29/485,301**

(22) Filed: **Mar. 18, 2014**

(51) **LOC (10) Cl.** ..... **28-99**

(52) **U.S. Cl.**  
CPC ..... **A61L 9/03** (2013.01)  
USPC ..... **D23/368**

(58) **Field of Classification Search**  
CPC ..... A61L 9/00; A61L 9/02; A61L 9/03;  
A61L 9/032; A61L 9/035; A61L 9/037;  
A61L 9/04; A61L 9/012; A61L 9/022  
USPC ..... D23/355-369; D28/5, 6; 261/DIG. 17,  
261/DIG. 42, DIG. 65, DIG. 88, DIG. 89;  
392/386, 390, 394, 395; 239/34, 44,  
239/53, 55, 56, 326

See application file for complete search history.

(56) **References Cited**

**U.S. PATENT DOCUMENTS**

D532,893 S \* 11/2006 Wu ..... D23/366

7,670,566 B2 \* 3/2010 Adair et al. .... 422/125  
D629,881 S \* 12/2010 Valentino et al. .... D23/368  
D631,954 S \* 2/2011 Bertassi et al. .... D23/366  
D694,382 S \* 11/2013 Brandenburg et al. .... D23/366  
2005/0127538 A1 \* 6/2005 Fabrega et al. .... 261/104

\* cited by examiner

*Primary Examiner* — Sandra Snapp

(74) *Attorney, Agent, or Firm* — George R. McGuire; Bond  
Schoeneck & King, PLLC

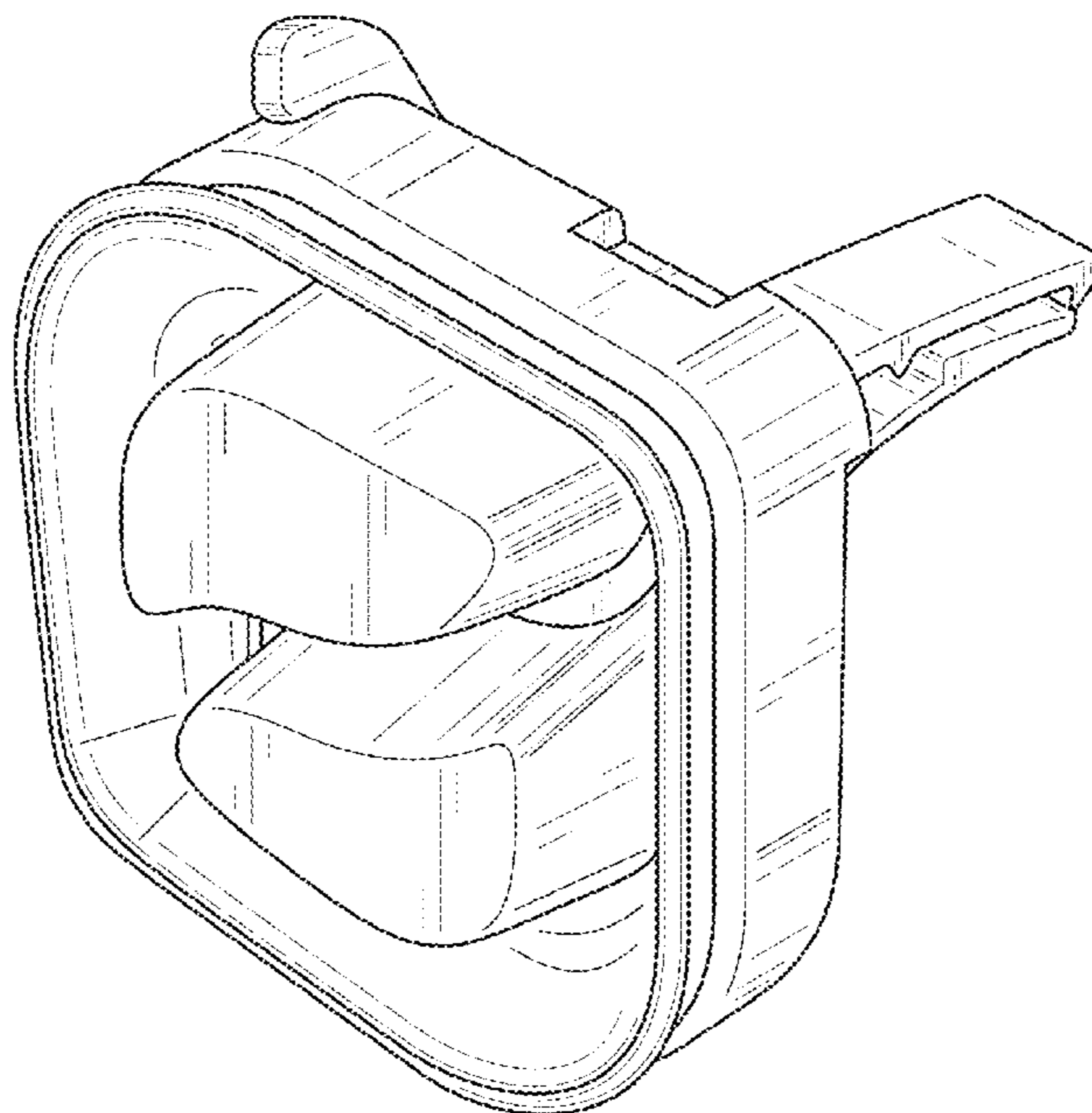
(57) **CLAIM**

The ornamental design for an air freshener, as shown and  
described.

**DESCRIPTION**

FIG. 1 is a perspective view of a new and ornamental design  
for an air freshener;  
FIG. 2 is a front elevation view thereof;  
FIG. 3 is a rear elevation view thereof;  
FIG. 4 is a first side elevation view thereof;  
FIG. 5 is a second side elevation view thereof;  
FIG. 6 is a top plan view thereof; and,  
FIG. 7 is a bottom plan view thereof.

**1 Claim, 7 Drawing Sheets**



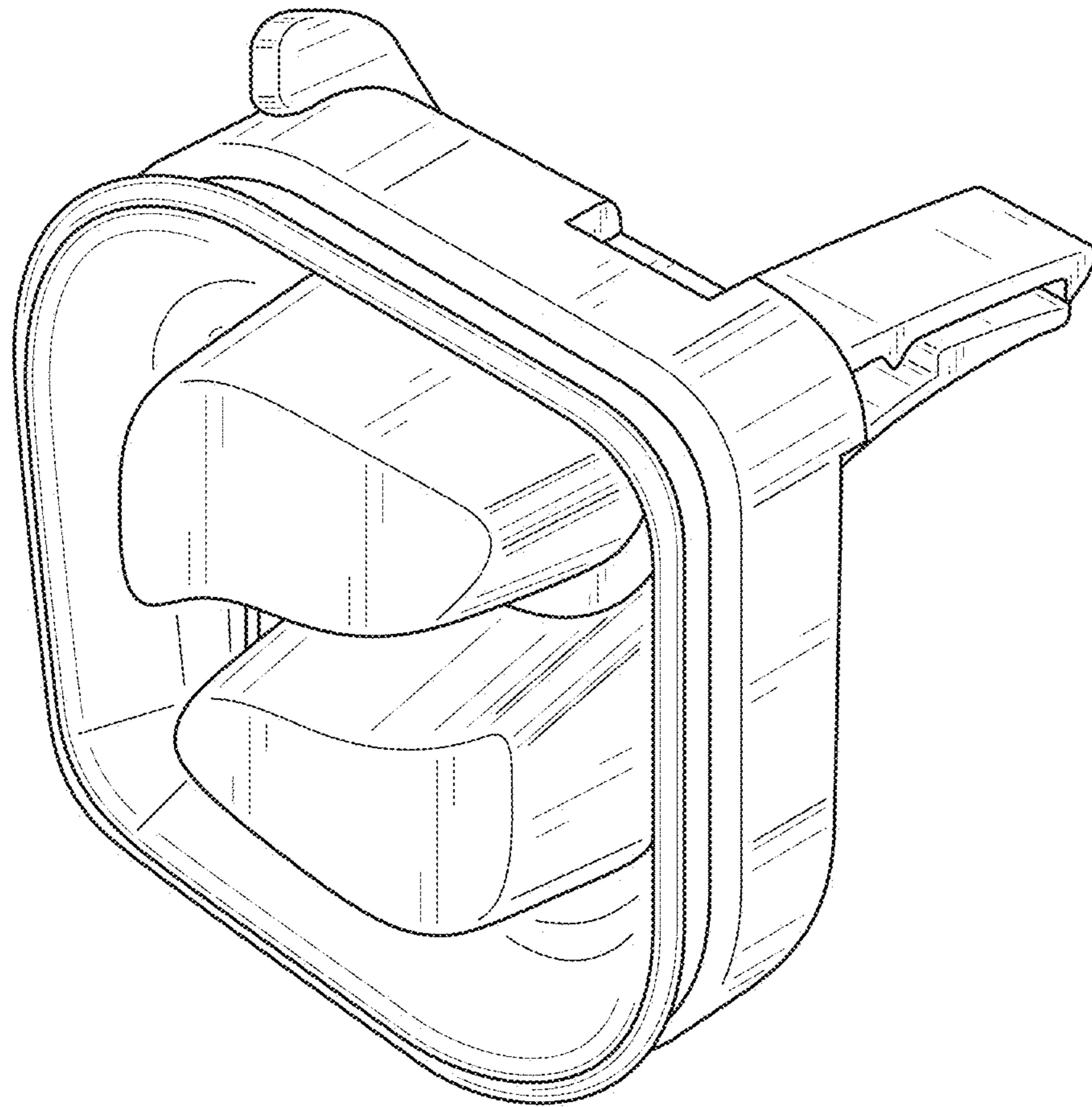


FIG. 1

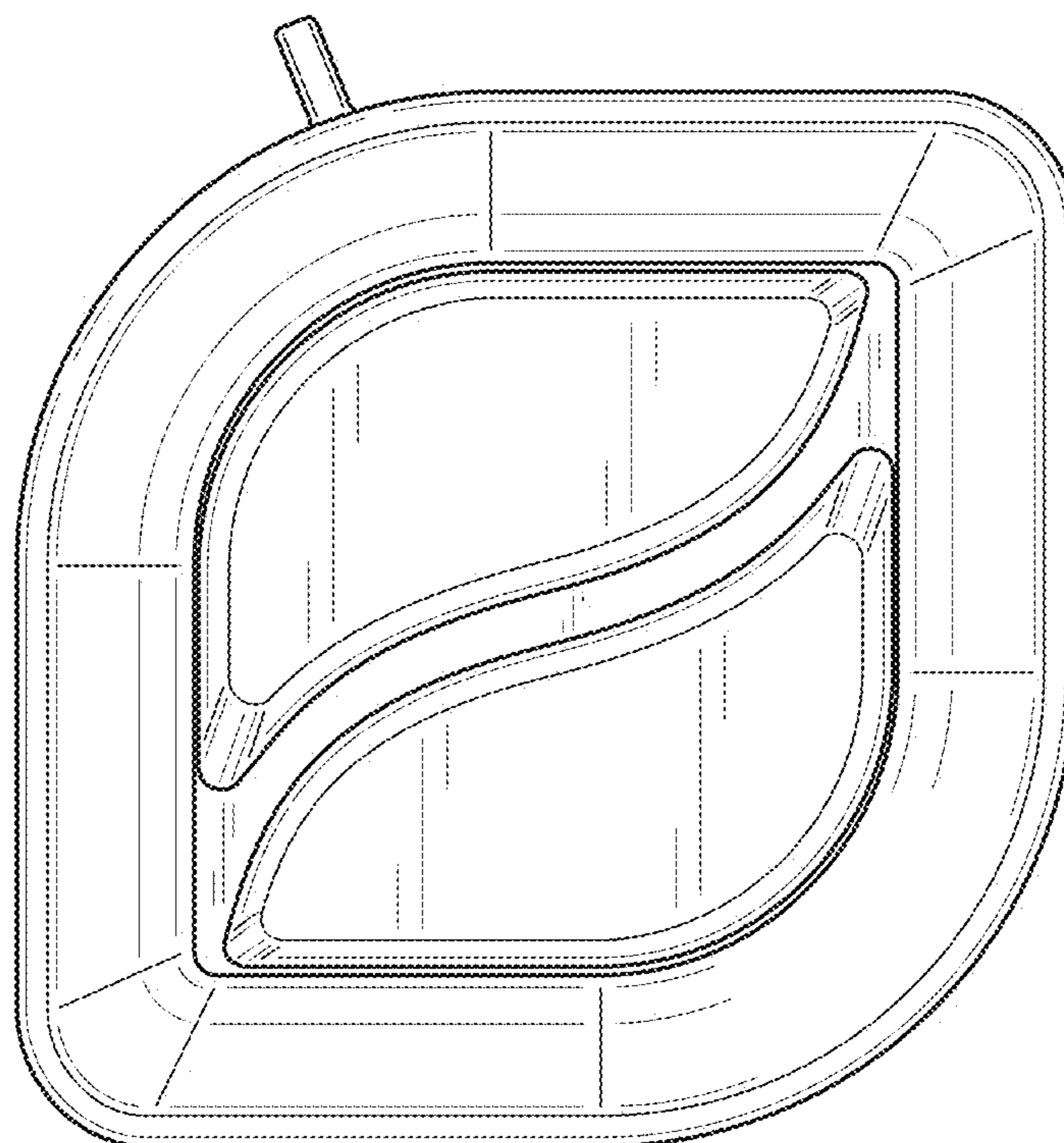


FIG. 2

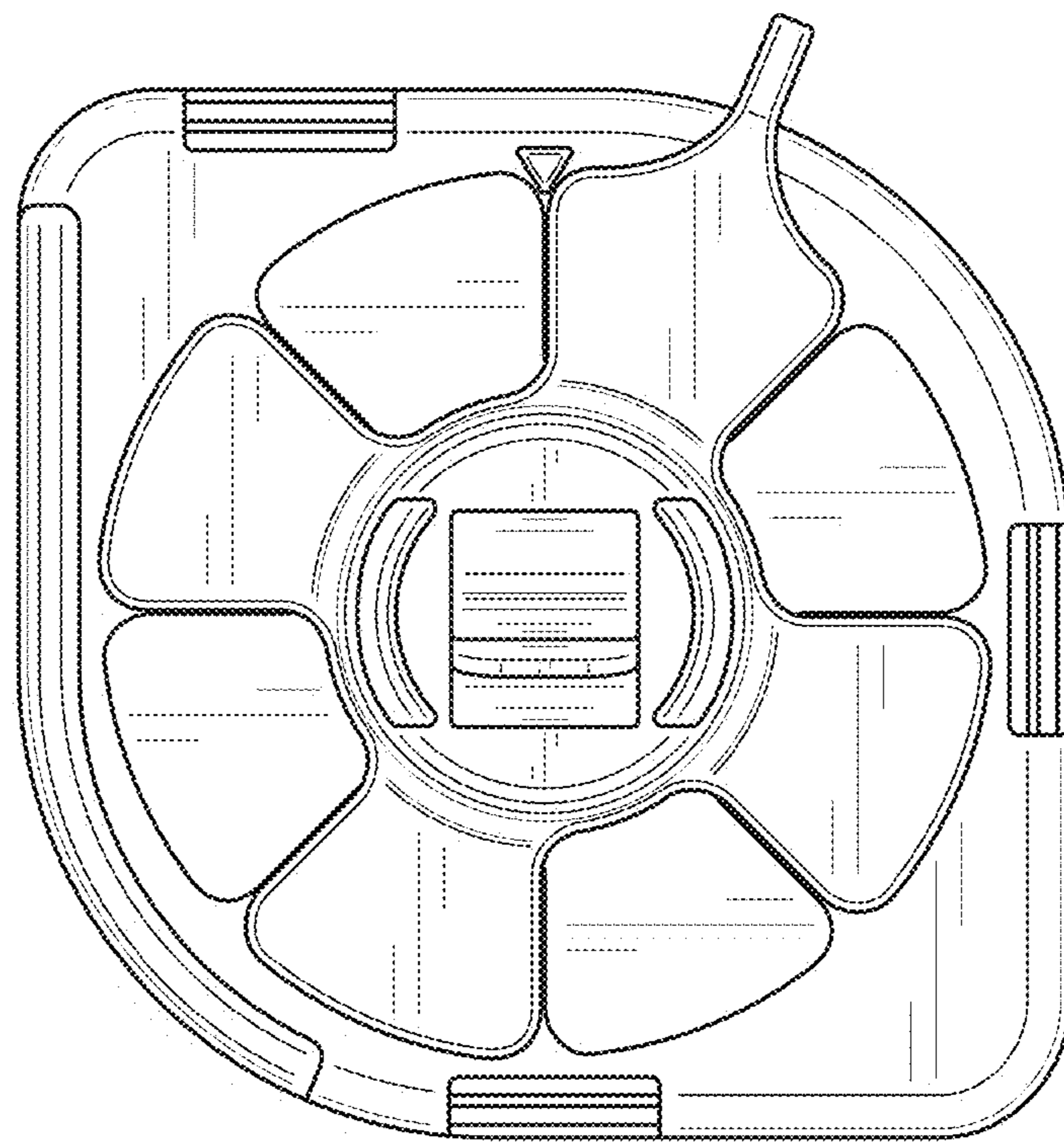


FIG. 3

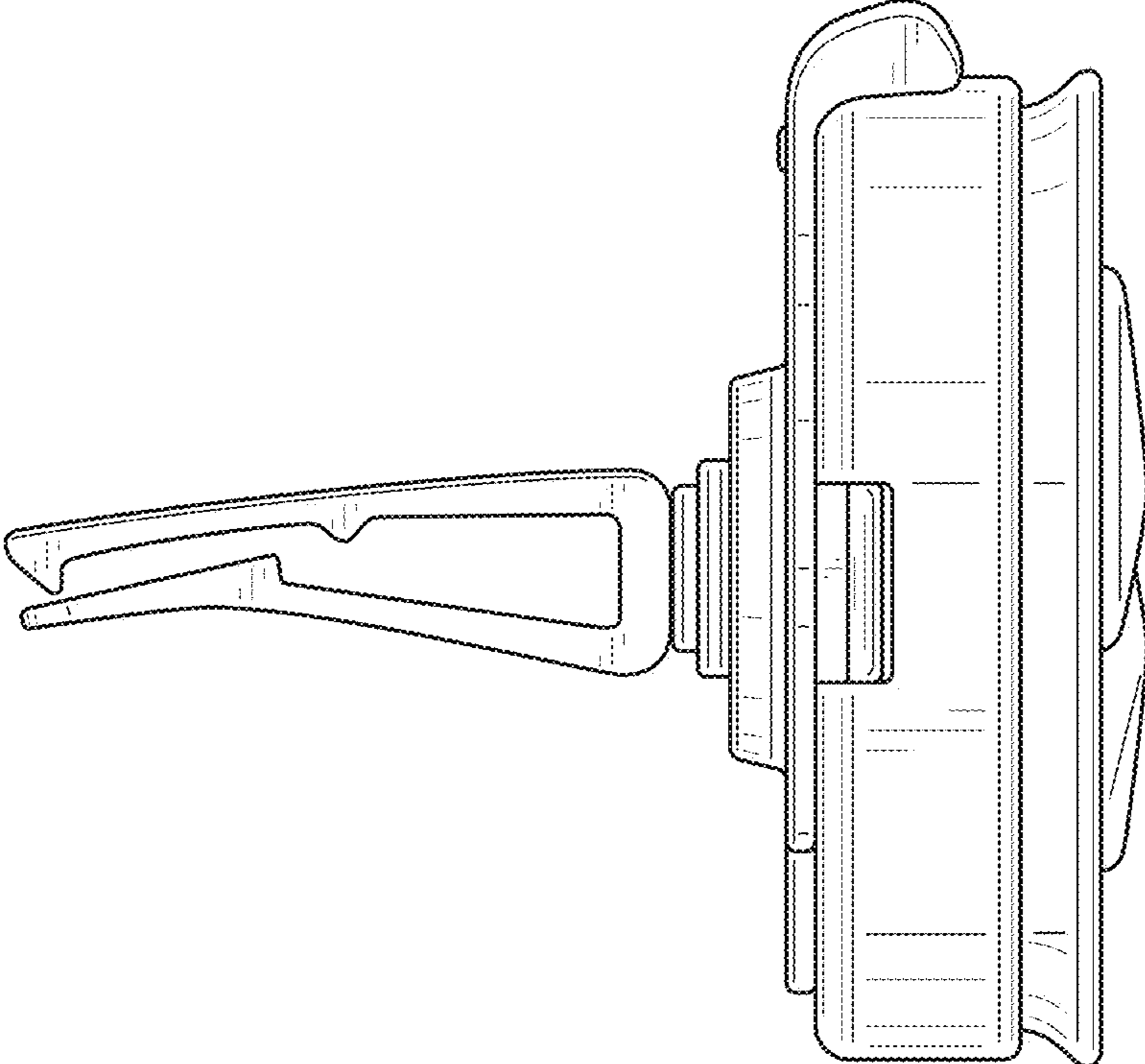


FIG. 4



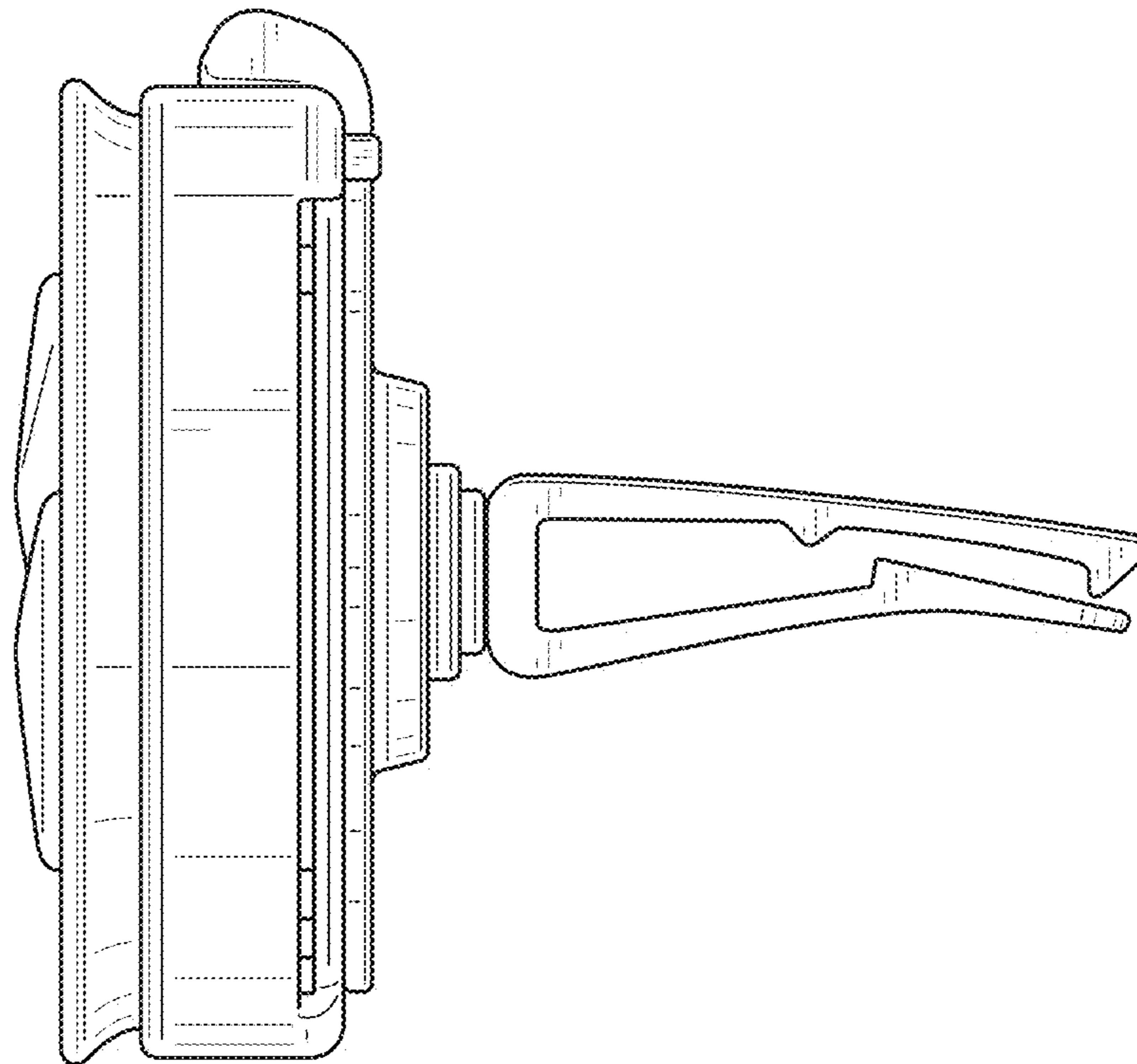


FIG. 5

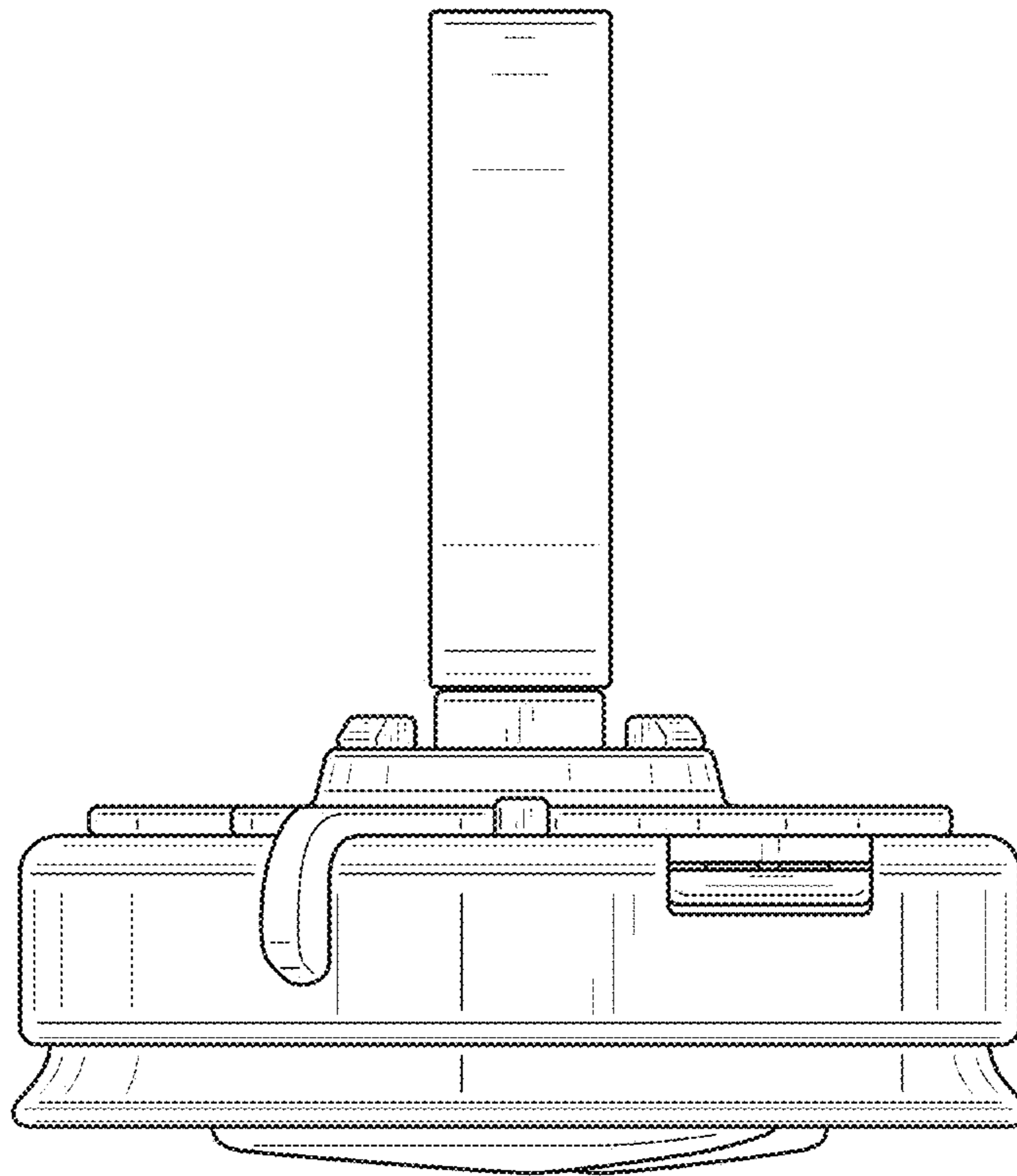


FIG. 6

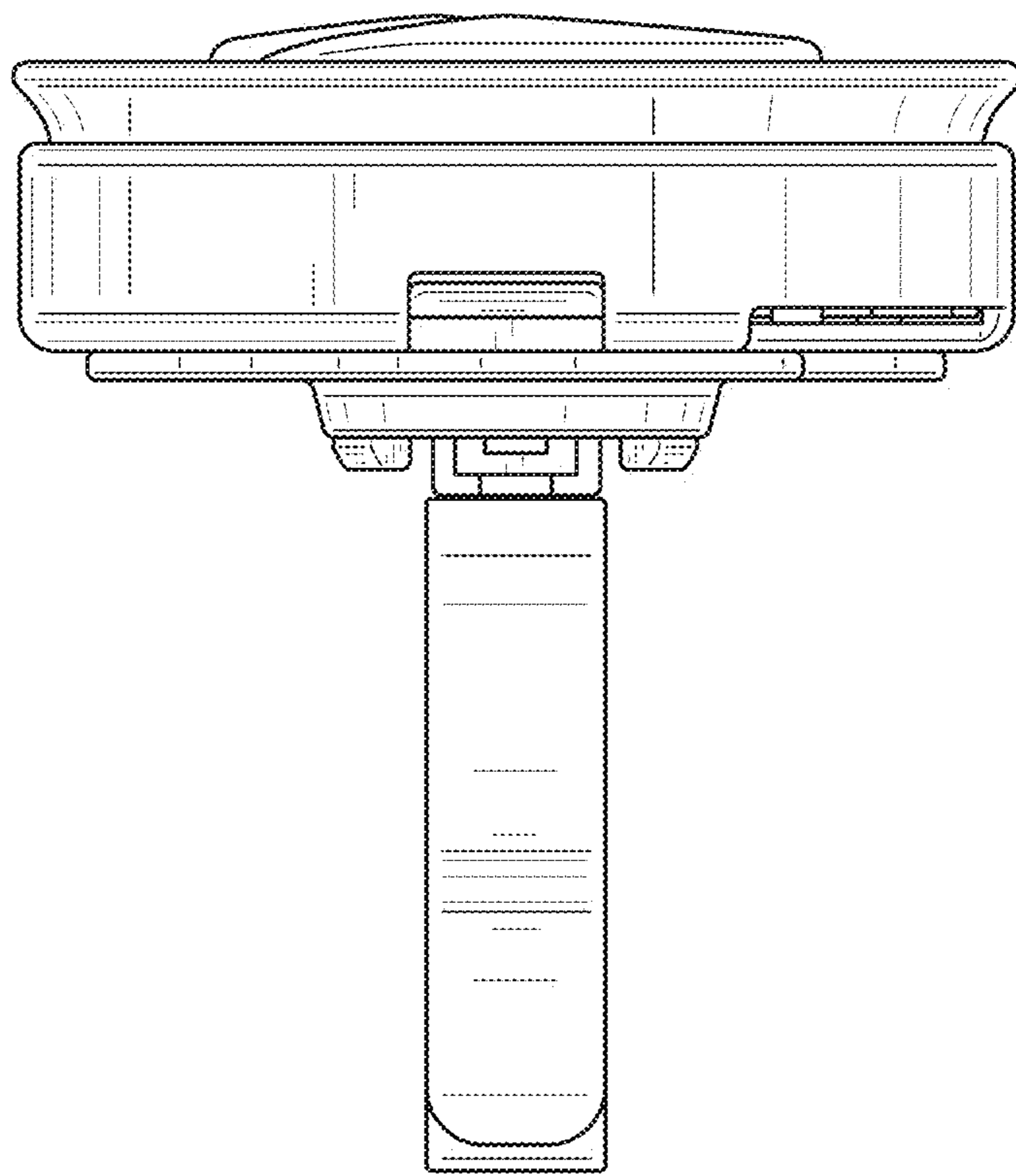


FIG. 7