



US00D715913S

(12) **United States Design Patent**
Schouten

(10) **Patent No.:** **US D715,913 S**
(45) **Date of Patent:** **** Oct. 21, 2014**

(54) **AIR FRAGRANCE CANISTER**

(56) **References Cited**

(71) Applicant: **Hopkins Manufacturing Corporation,**
Emporia, KS (US)

U.S. PATENT DOCUMENTS

(72) Inventor: **Pieter Schouten,** Berkeley, CA (US)

D327,423 S * 6/1992 Turner-Adams D9/655
D504,842 S * 5/2005 Umeda et al. D11/131.1
D680,638 S * 4/2013 Chou D23/366

(73) Assignee: **Hopkins Manufacturing Corporation,**
Emporia, KS (US)

* cited by examiner

(**) Term: **14 Years**

Primary Examiner — Sandra Snapp

(21) Appl. No.: **29/485,405**

(74) *Attorney, Agent, or Firm* — George R. McGuire; Bond
Schoeneck & King, PLLC

(22) Filed: **Mar. 19, 2014**

(57) **CLAIM**

(51) **LOC (10) Cl.** **28-99**

The ornamental design for an air fragrance canister, as shown
and described.

(52) **U.S. Cl.**

DESCRIPTION

CPC **A61L 9/12** (2013.01)

USPC **D23/366**

(58) **Field of Classification Search**

CPC A61L 9/00; A61L 9/02; A61L 9/03;

A61L 9/032; A61L 9/035; A61L 9/037;

A61L 9/04; A61L 9/012; A61L 9/022

USPC D23/355–369; D28/5, 6; 392/386, 390,

392/394, 395; 239/34, 44, 53, 55, 56, 326;

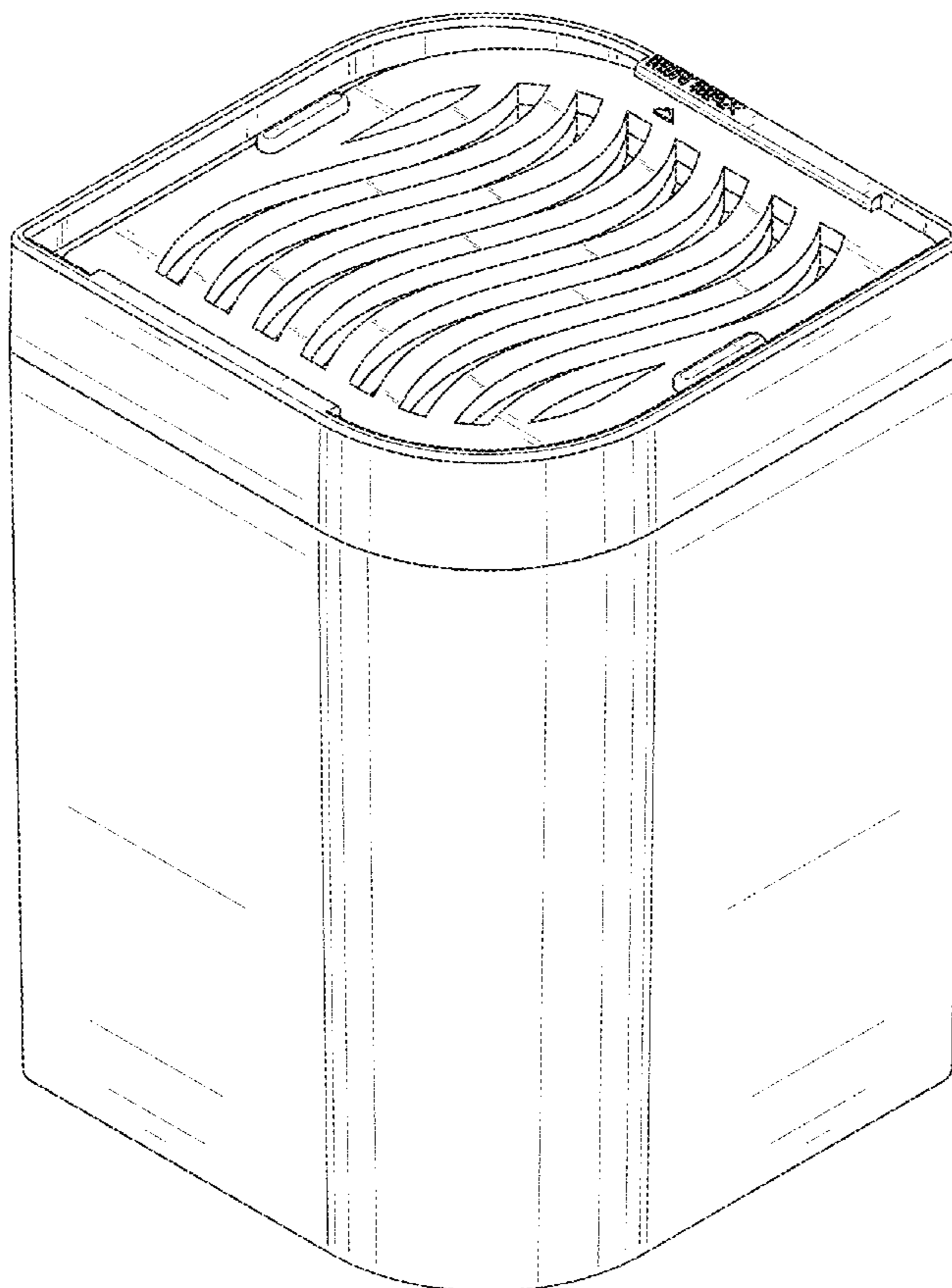
D26/14, 17, 98, 9, 22, 24; D11/131.1;

D7/509, 522, 524, 537; 261/DIG. 17,

261/DIG. 42, DIG. 65, DIG. 88, DIG. 89

See application file for complete search history.

1 Claim, 7 Drawing Sheets



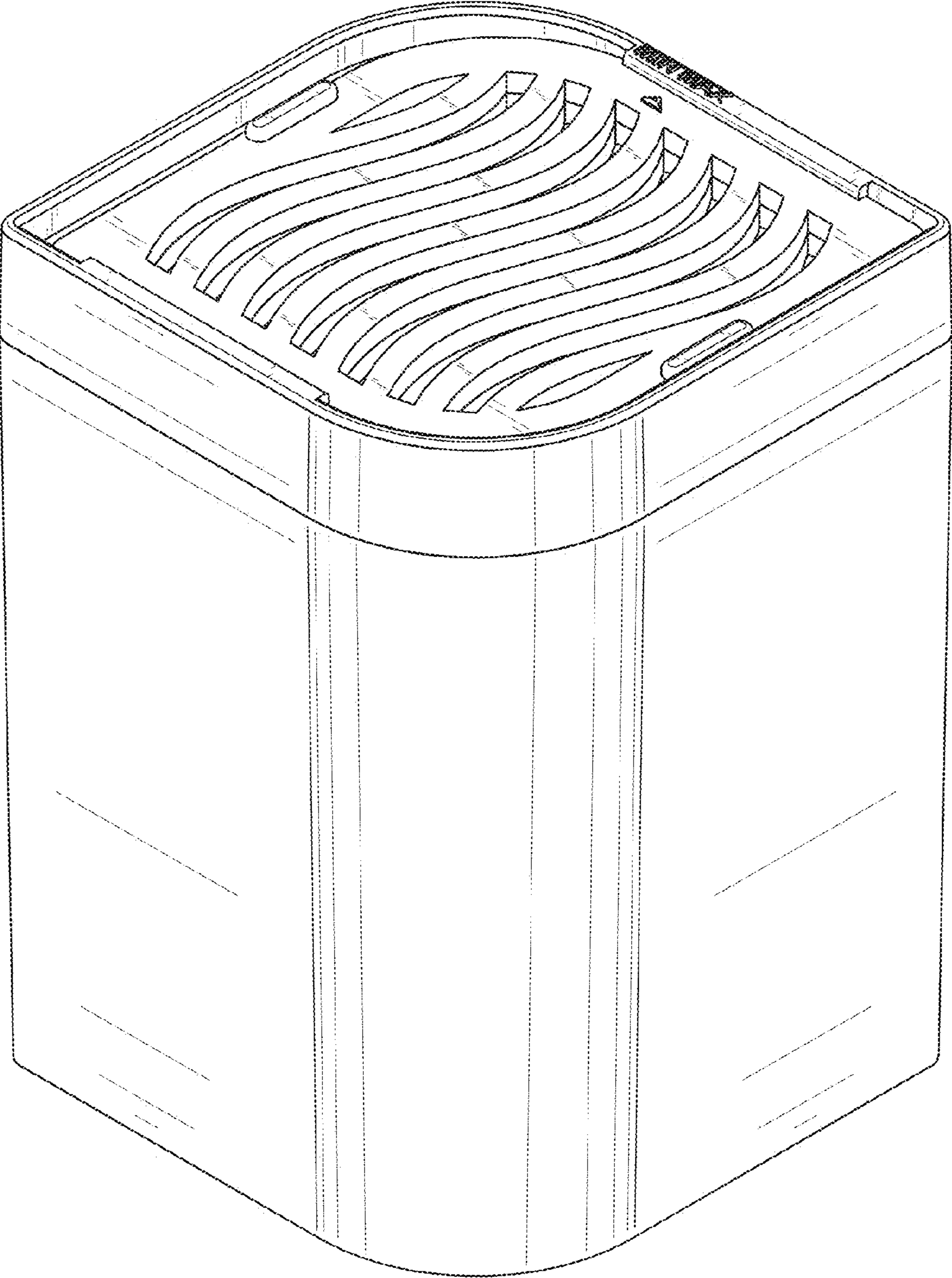


FIG. 1

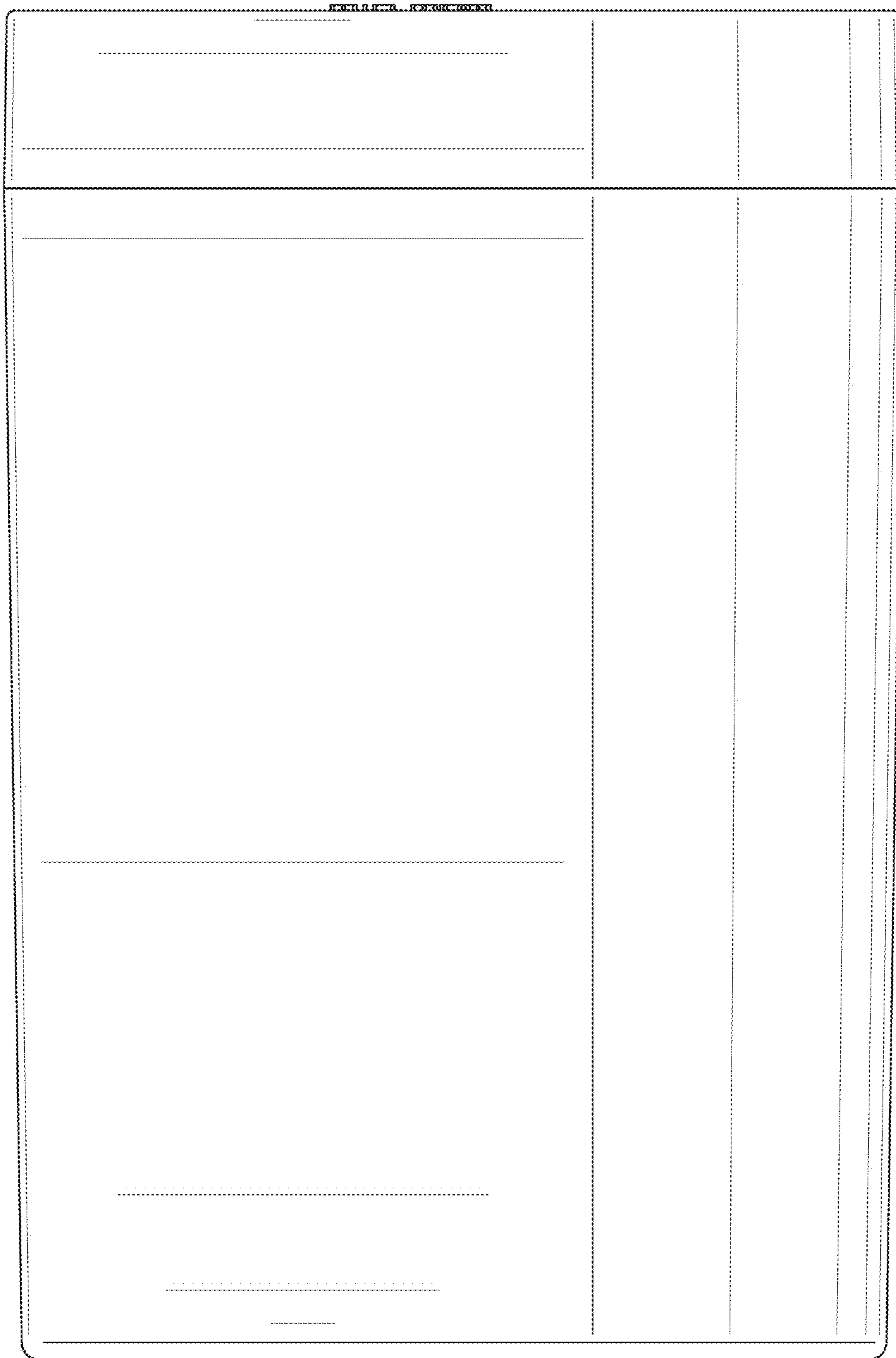


FIG. 2

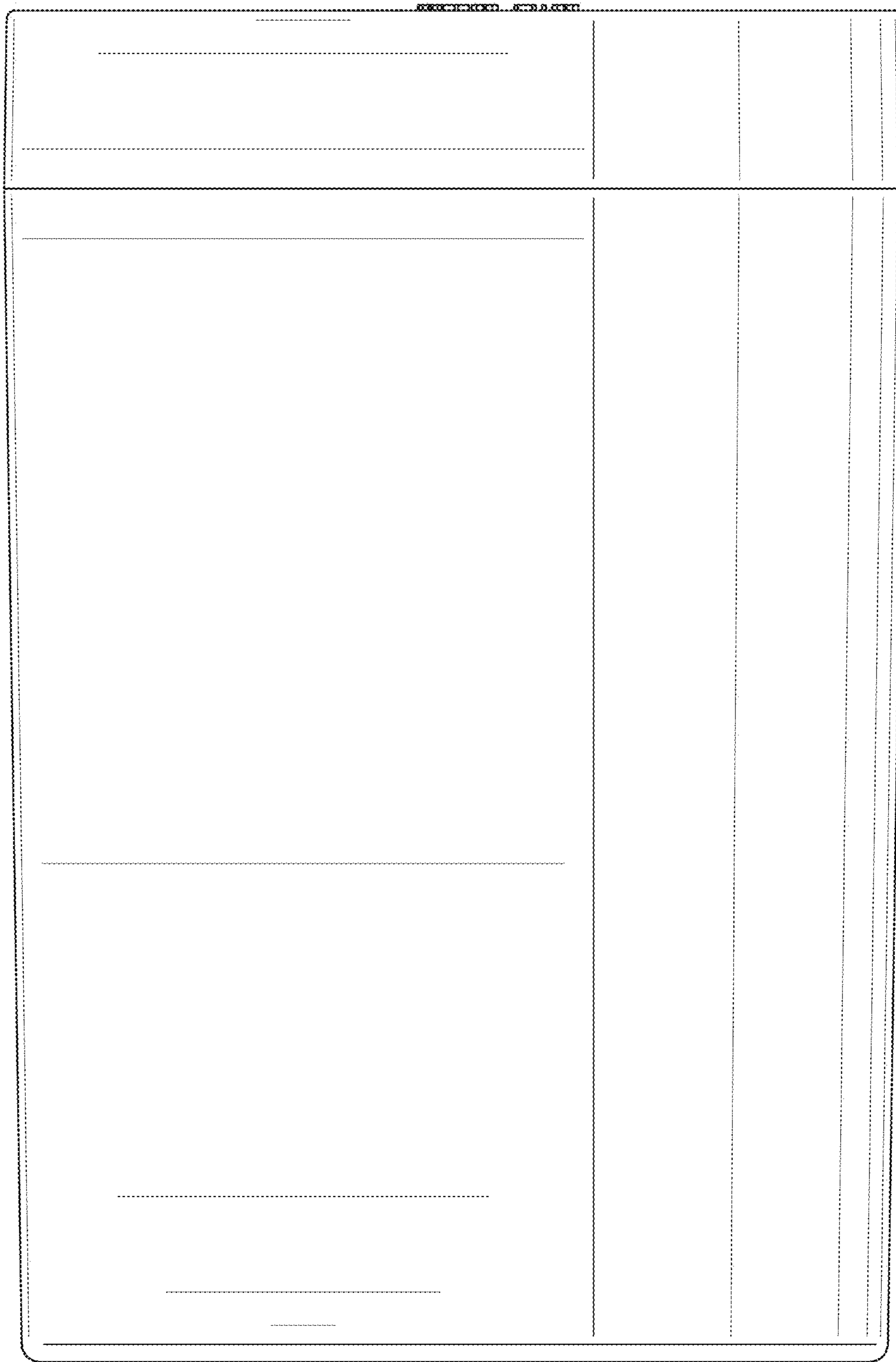


FIG. 3

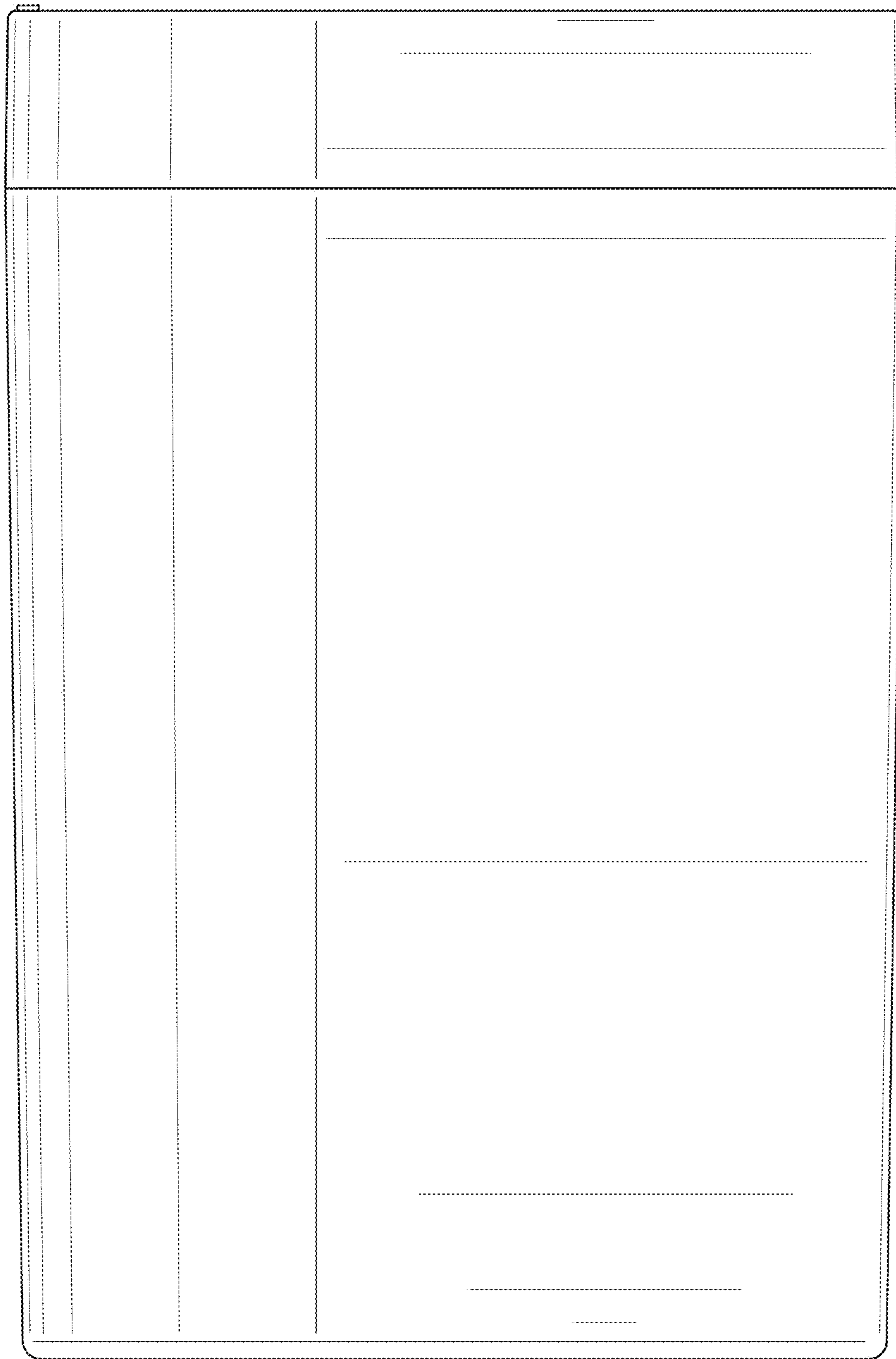


FIG. 4

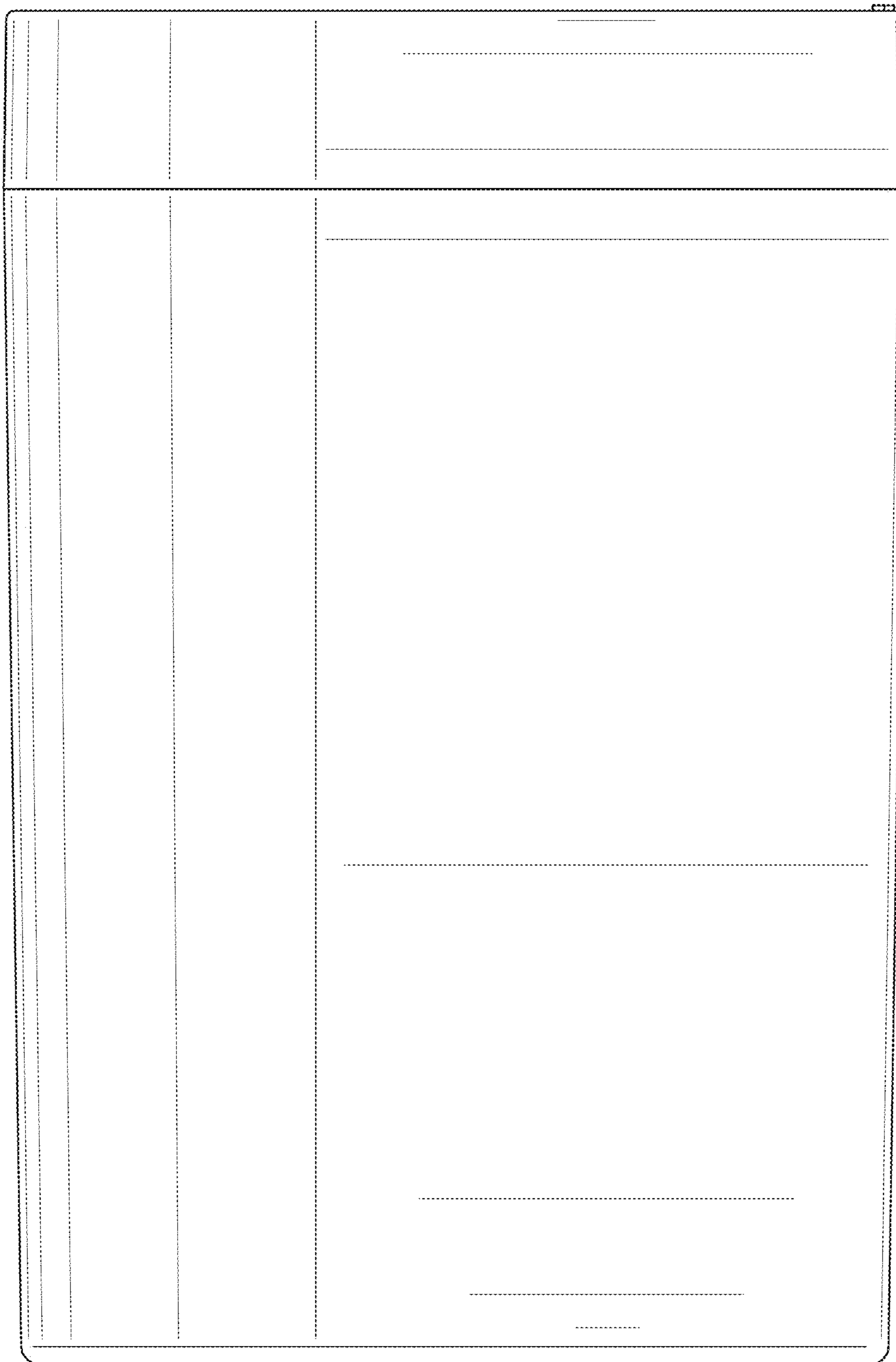


FIG. 5

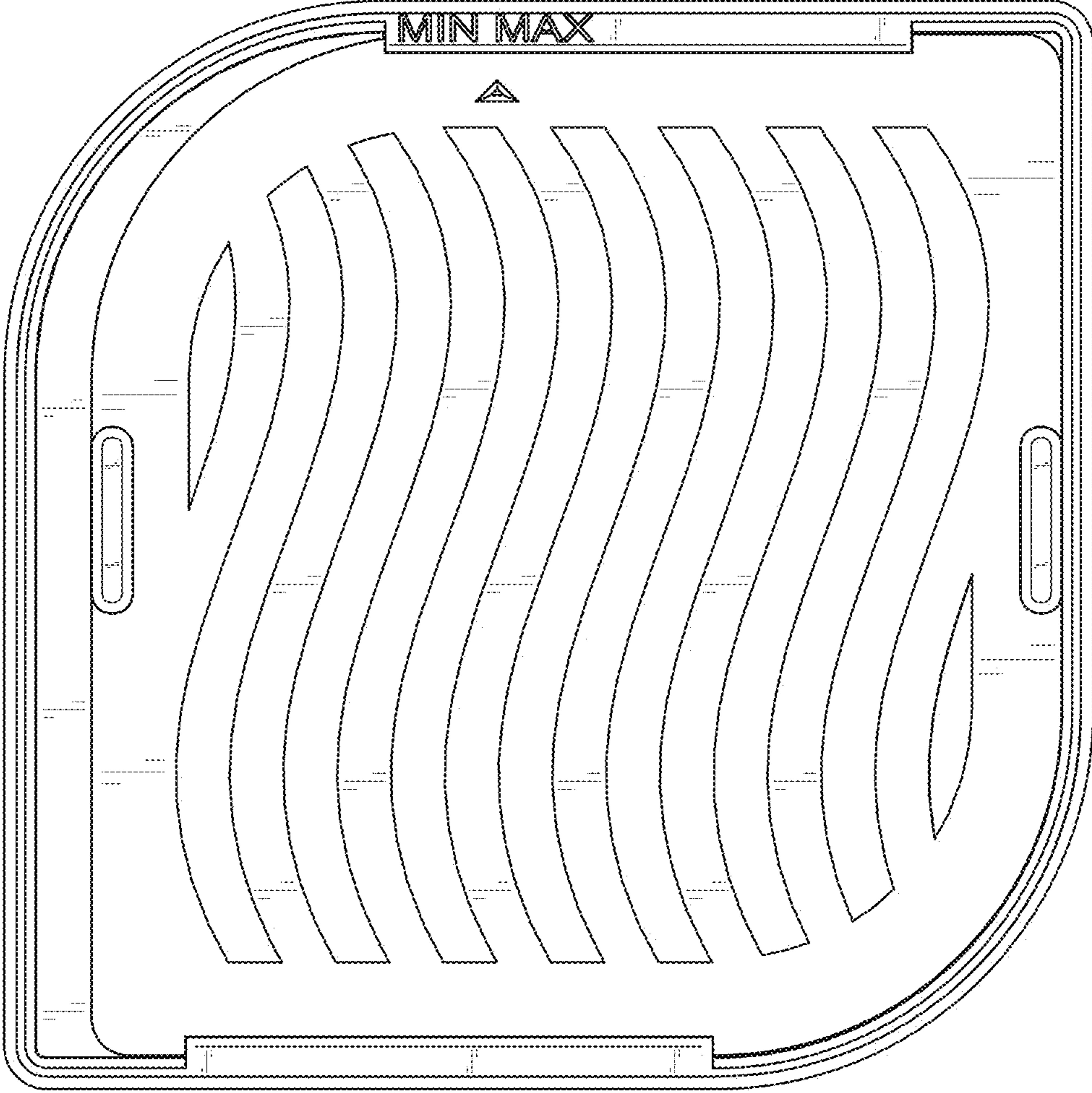


FIG. 6

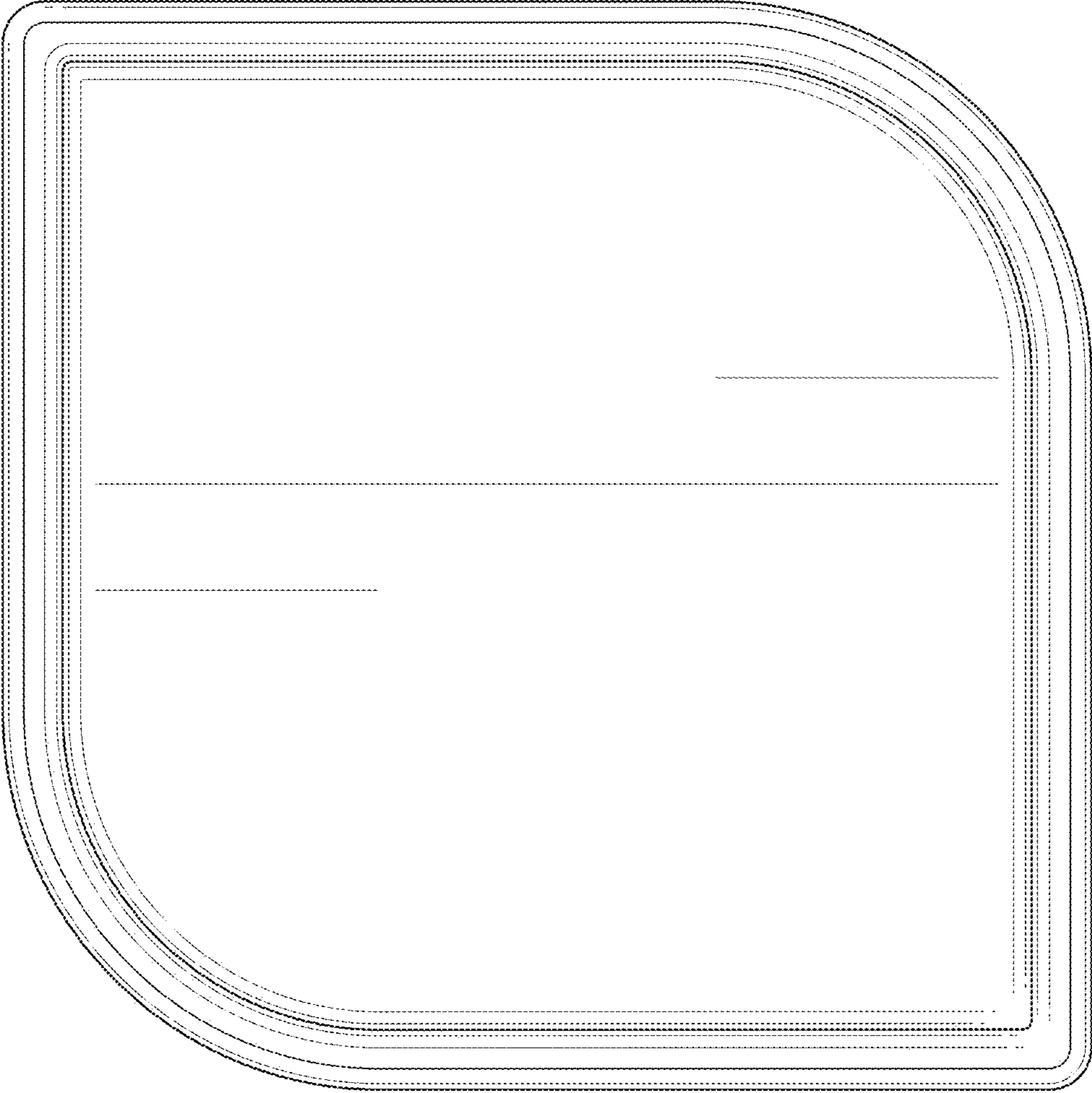


FIG. 7