



US00D715911S

(12) **United States Design Patent**
Lin

(10) **Patent No.:** **US D715,911 S**
(45) **Date of Patent:** **** Oct. 21, 2014**

(54) **AROMA NEBULIZING DIFFUSER**
(71) Applicant: **Mony Industrial Co., Ltd.**, Tainan (TW)
(72) Inventor: **George Lin**, Tainan (TW)
(73) Assignee: **Mony Industrial Co., Ltd.**, Tainan (TW)
(**) Term: **14 Years**

7,547,004 B2 *	6/2009	Hsu	261/81
D597,192 S *	7/2009	Drucker et al.	D23/366
D598,527 S *	8/2009	Fitsch	D23/356
D604,824 S *	11/2009	Paolazzi et al.	D23/366
D613,389 S *	4/2010	Jorgensen	D23/366
D613,844 S *	4/2010	Jorgensen	D23/366
D620,576 S *	7/2010	Jorgensen	D23/366
D637,274 S *	5/2011	Chan et al.	D23/364
D647,187 S *	10/2011	Chan et al.	D23/364
D675,304 S *	1/2013	Valentino et al.	D23/366
D696,761 S *	12/2013	Jorgensen	D23/366
D696,892 S *	1/2014	Bretillot	D7/316

* cited by examiner

(21) Appl. No.: **29/484,127**
(22) Filed: **Mar. 6, 2014**
(51) **LOC (10) Cl.** **28-99**
(52) **U.S. Cl.**
CPC **A61L 9/03** (2013.01)
USPC **D23/366**
(58) **Field of Classification Search**
USPC D23/355-369; D28/5, 6; 261/DIG. 17,
261/DIG. 42, DIG. 65, DIG. 88, DIG. 89;
392/386, 390, 394, 395; 239/34, 44,
239/53, 55, 56, 326
See application file for complete search history.

Primary Examiner — Sandra Snapp

(74) *Attorney, Agent, or Firm* — Rosenberg, Klein & Lee

(57) **CLAIM**

The ornamental design for an aroma nebulizing diffuser, as shown and described.

DESCRIPTION

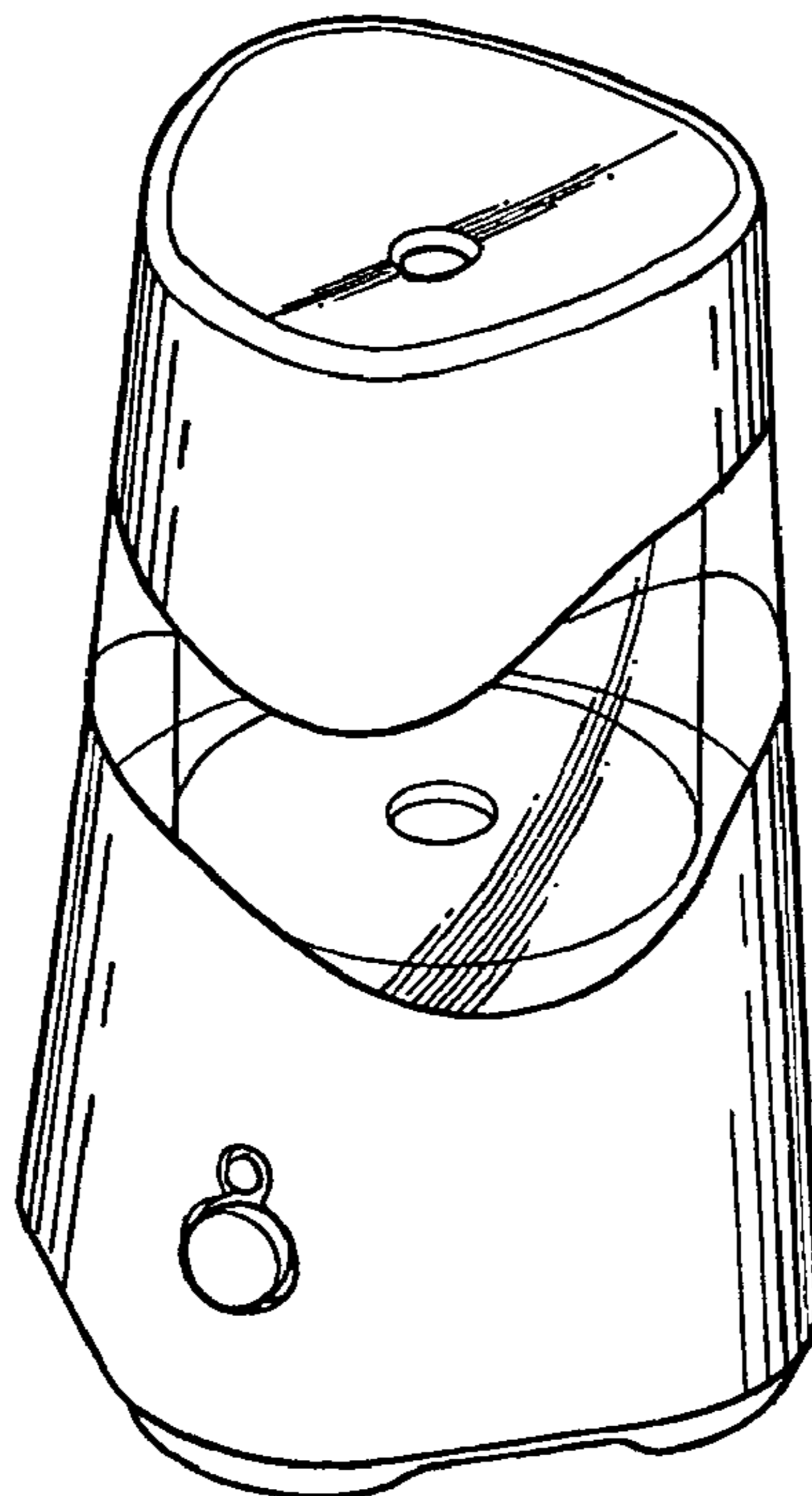
FIG. 1 is a front perspective view of an aroma nebulizing diffuser showing my new design;
FIG. 2 is a front elevational view thereof;
FIG. 3 is a rear elevational view thereof;
FIG. 4 is a left-side elevational view thereof;
FIG. 5 is a right-side elevational view thereof;
FIG. 6 is a top plan view thereof; and,
FIG. 7 is a bottom plan view thereof.
The broken lines shown in the drawings are for illustrative purposes only and form no part of the claimed design.

(56) **References Cited**

U.S. PATENT DOCUMENTS

D229,754 S *	1/1974	Ali	D23/367
D548,317 S *	8/2007	Newton et al.	D23/366
D583,451 S *	12/2008	Aloe et al.	D23/366

1 Claim, 4 Drawing Sheets



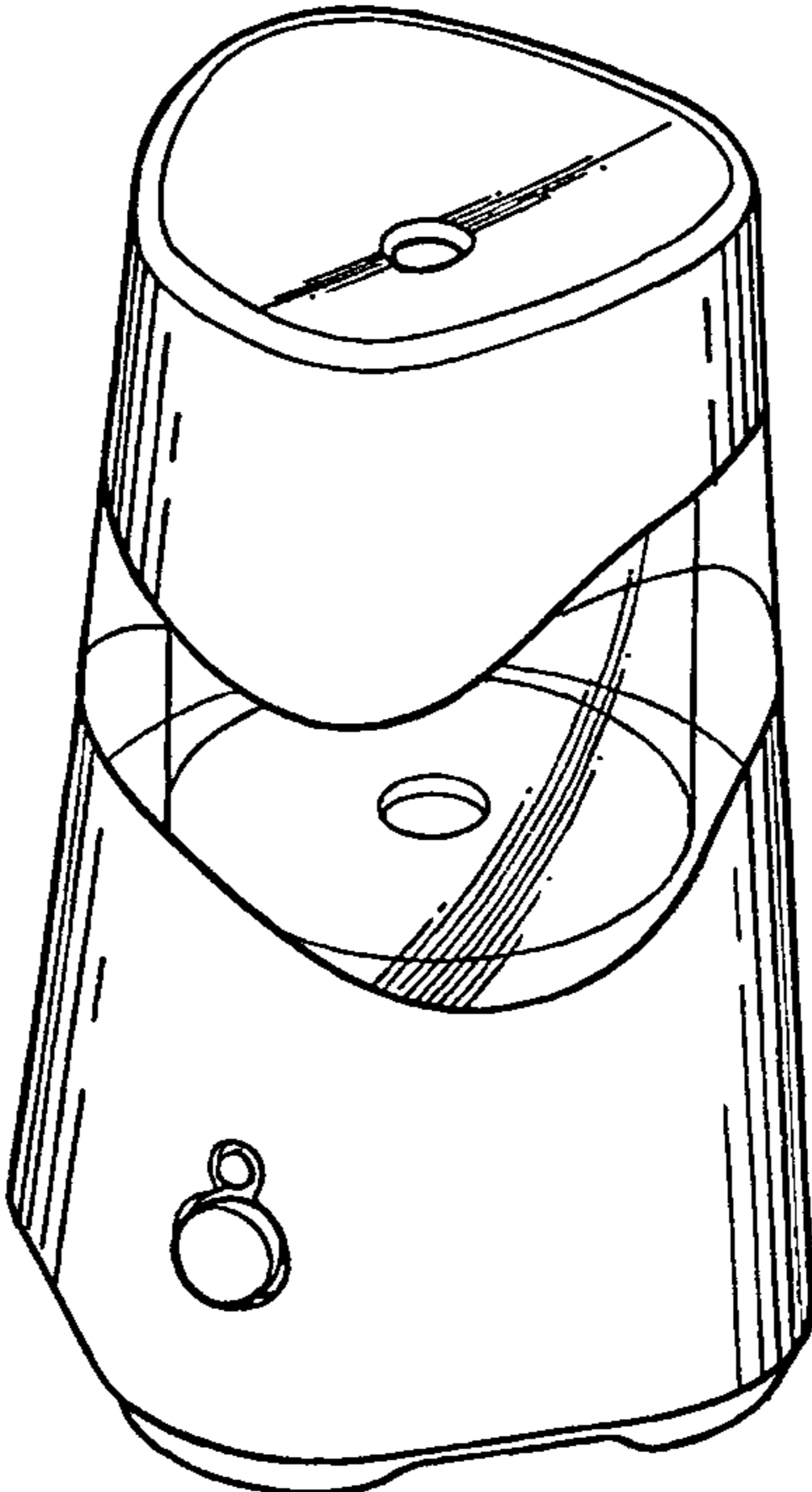


Fig.1

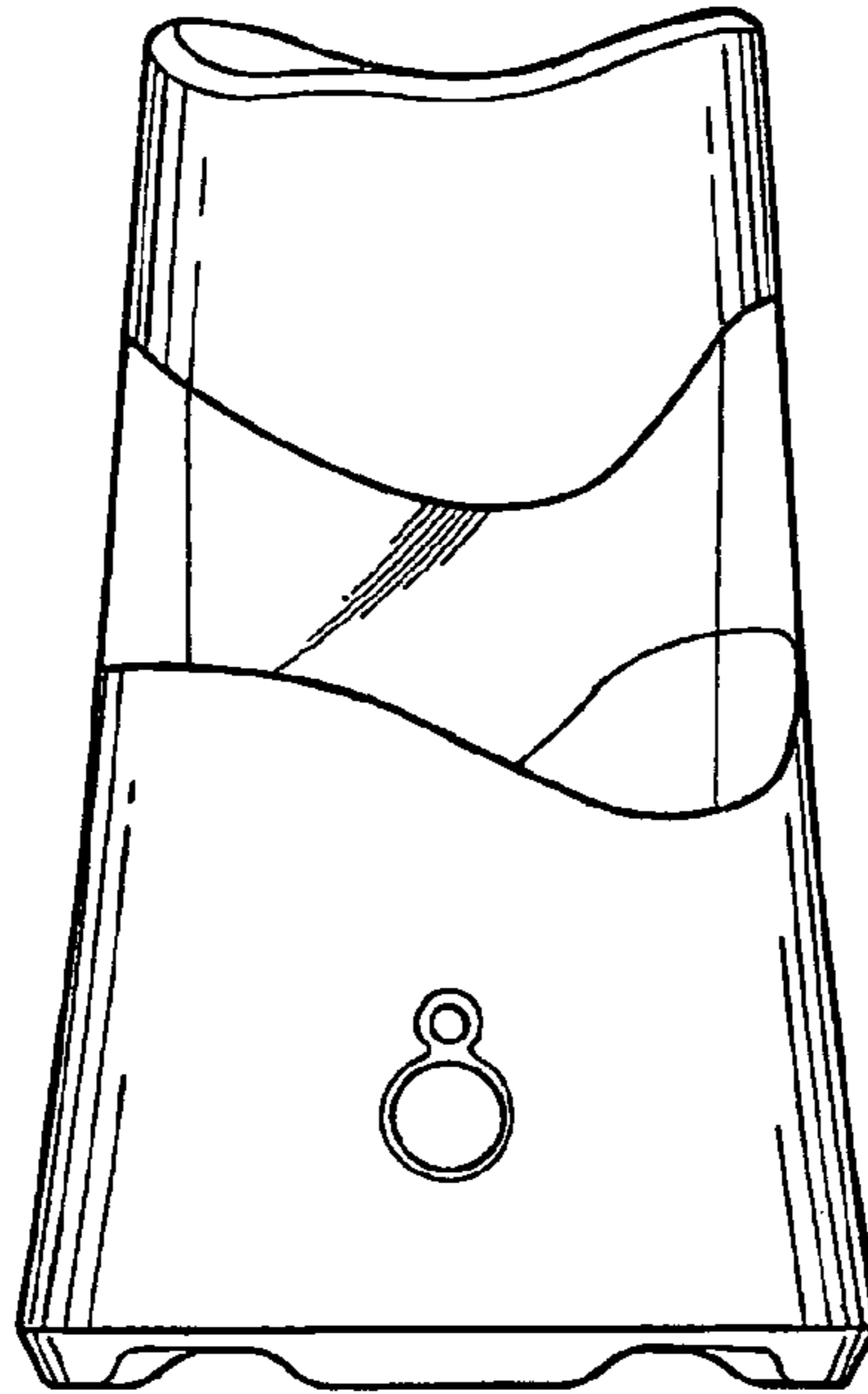


Fig. 2

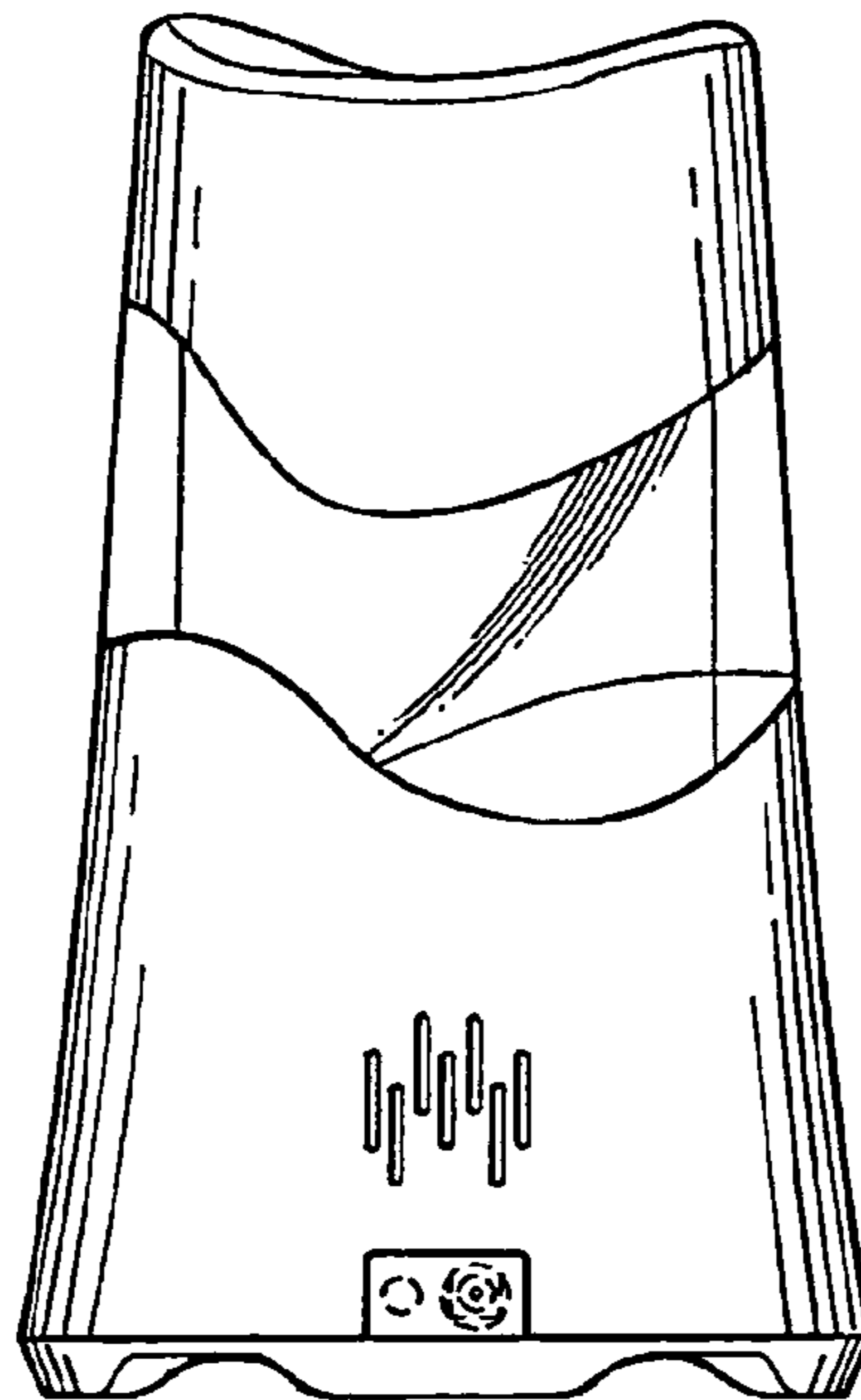


Fig. 3

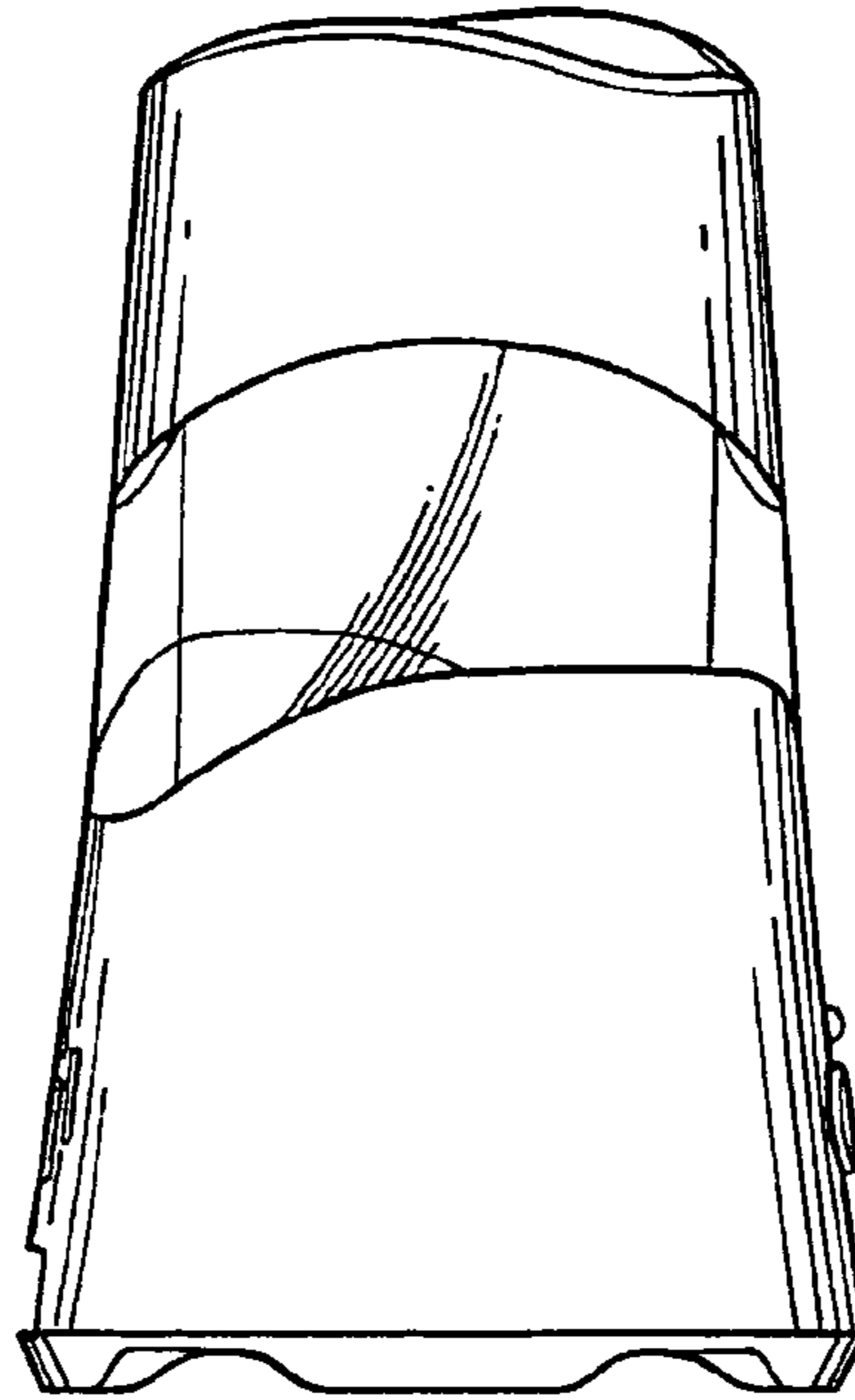


Fig.4

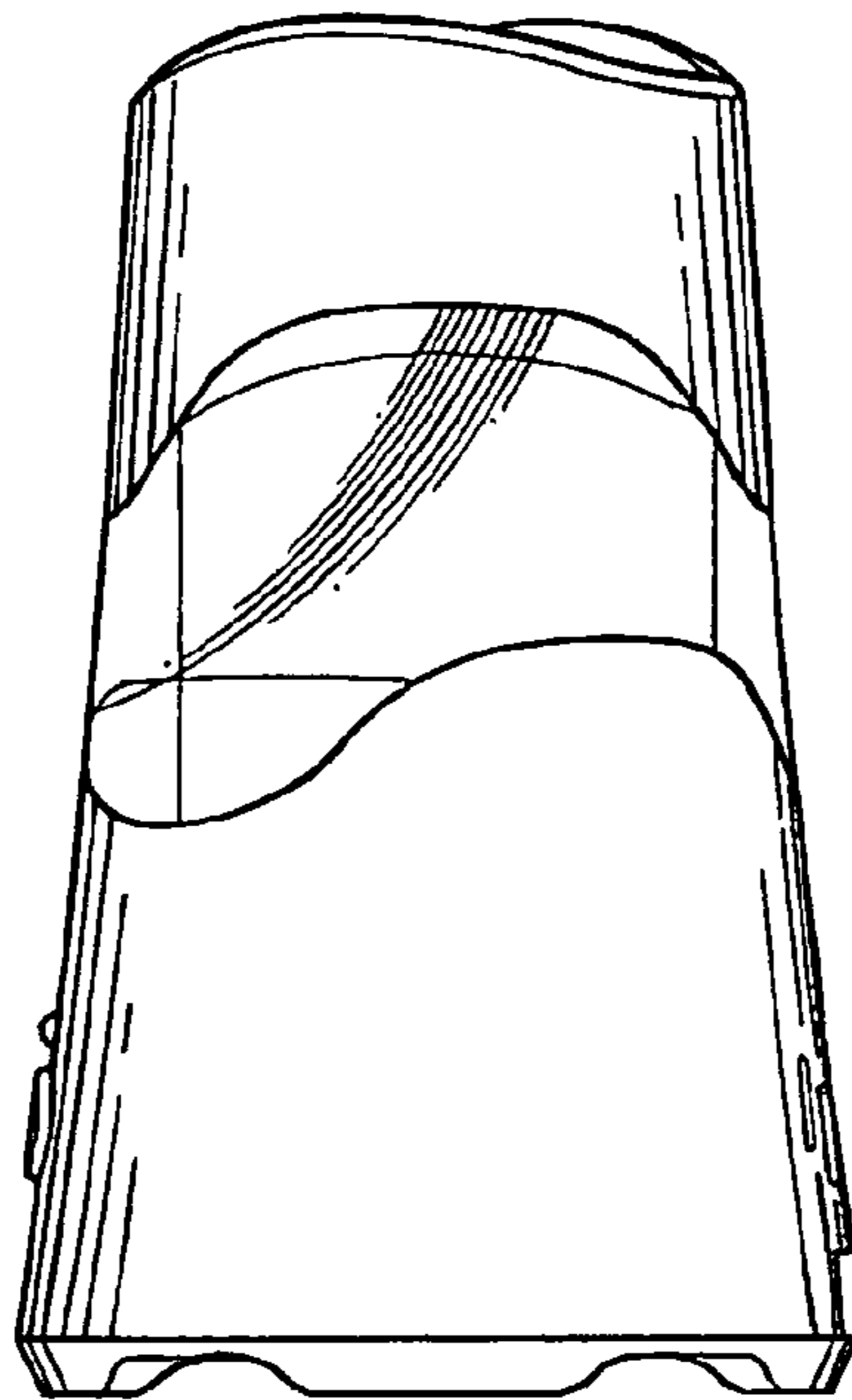


Fig.5

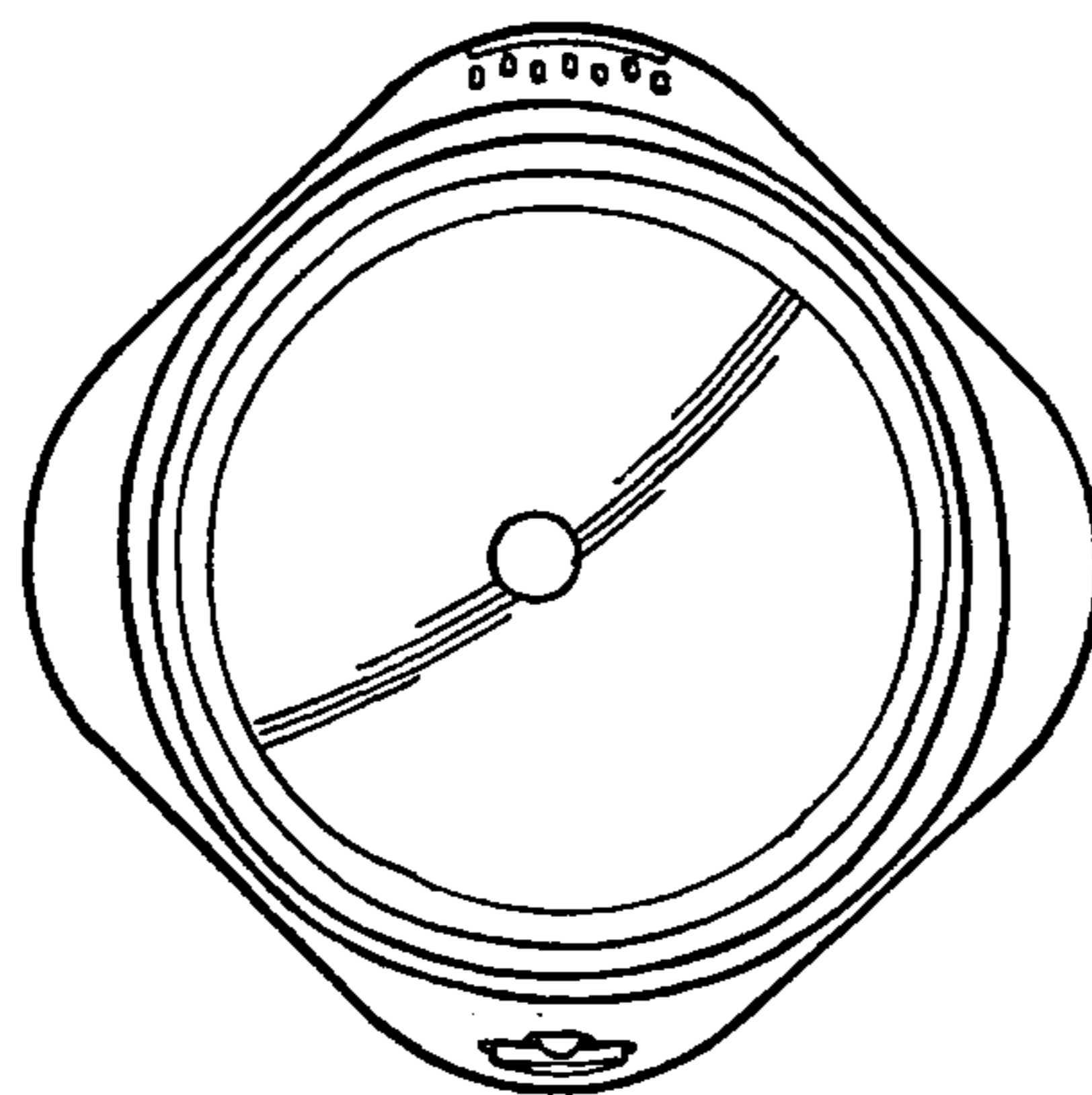


Fig.6

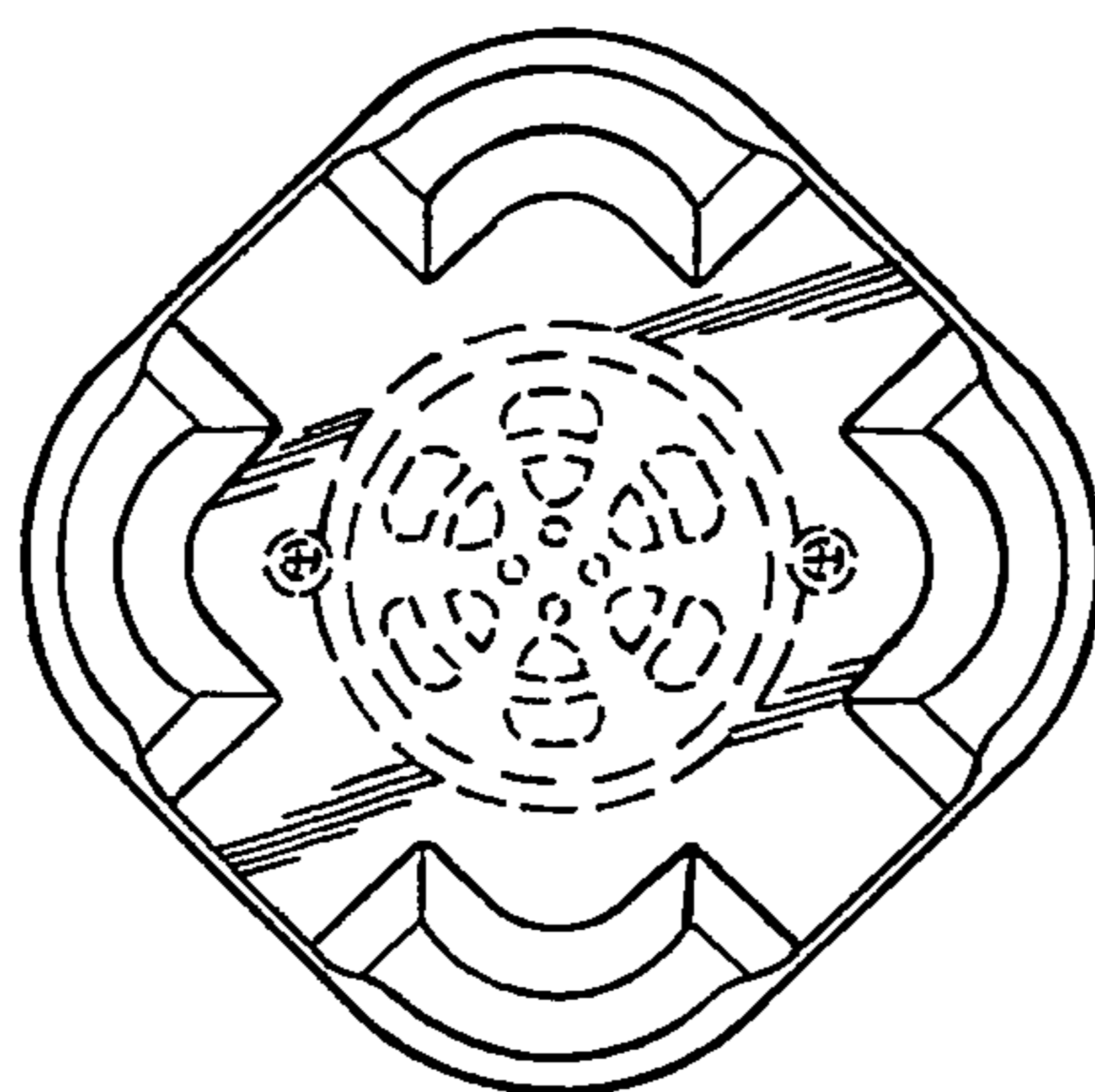


Fig.7