



US00D715909S

(12) **United States Design Patent**
Shiota

(10) **Patent No.:** **US D715,909 S**
(45) **Date of Patent:** **** Oct. 21, 2014**

(54) **OUTDOOR UNIT FOR AIR CONDITIONER**

(71) Applicant: **Fujitsu General Limited**, Kawasaki (JP)

(72) Inventor: **Yoshihiro Shiota**, Kawasaki (JP)

(73) Assignee: **Fujitsu General Limited**, Kanagawa (JP)

(**) Term: **14 Years**

(21) Appl. No.: **29/479,112**

(22) Filed: **Jan. 13, 2014**

(30) **Foreign Application Priority Data**

Jul. 12, 2013 (JP) 2013-015975

(51) **LOC (10) Cl.** **23-02**

(52) **U.S. Cl.**
USPC **D23/351**

(58) **Field of Classification Search**
USPC D6/314, 317, 332-333, 351; 312/236;
62/259.1, 259.3, 259.4, 262-263, 304,
62/401, 515-516; 454/330-331, 349-350,
454/354

See application file for complete search history.

(56) **References Cited**

U.S. PATENT DOCUMENTS

D493,215 S *	7/2004	Asaoka et al.	D23/351
D497,983 S *	11/2004	Nanjo et al.	D23/351
D553,725 S *	10/2007	Shimizu	D23/351
D584,388 S *	1/2009	Chooji	D23/351
D683,834 S *	6/2013	Katou	D23/351
D700,304 S *	2/2014	Ikegaya	D23/351

FOREIGN PATENT DOCUMENTS

JP 1393922 S 8/2010

* cited by examiner

Primary Examiner — Brian N Vinson

(74) *Attorney, Agent, or Firm* — Sughrue Mion, PLLC

(57) **CLAIM**

The ornamental design(s) for the outdoor unit for air conditioner, as shown and described.

DESCRIPTION

FIG. 1 is a perspective view of the front, bottom and right side of an outdoor unit for air conditioner showing my new design; FIG. 2 is a front view thereof; FIG. 3 is a rear view thereof; FIG. 4 is a left side view thereof; FIG. 5 is a right side view thereof; FIG. 6 is a top plan view thereof; and, FIG. 7 is a bottom view thereof.

1 Claim, 7 Drawing Sheets

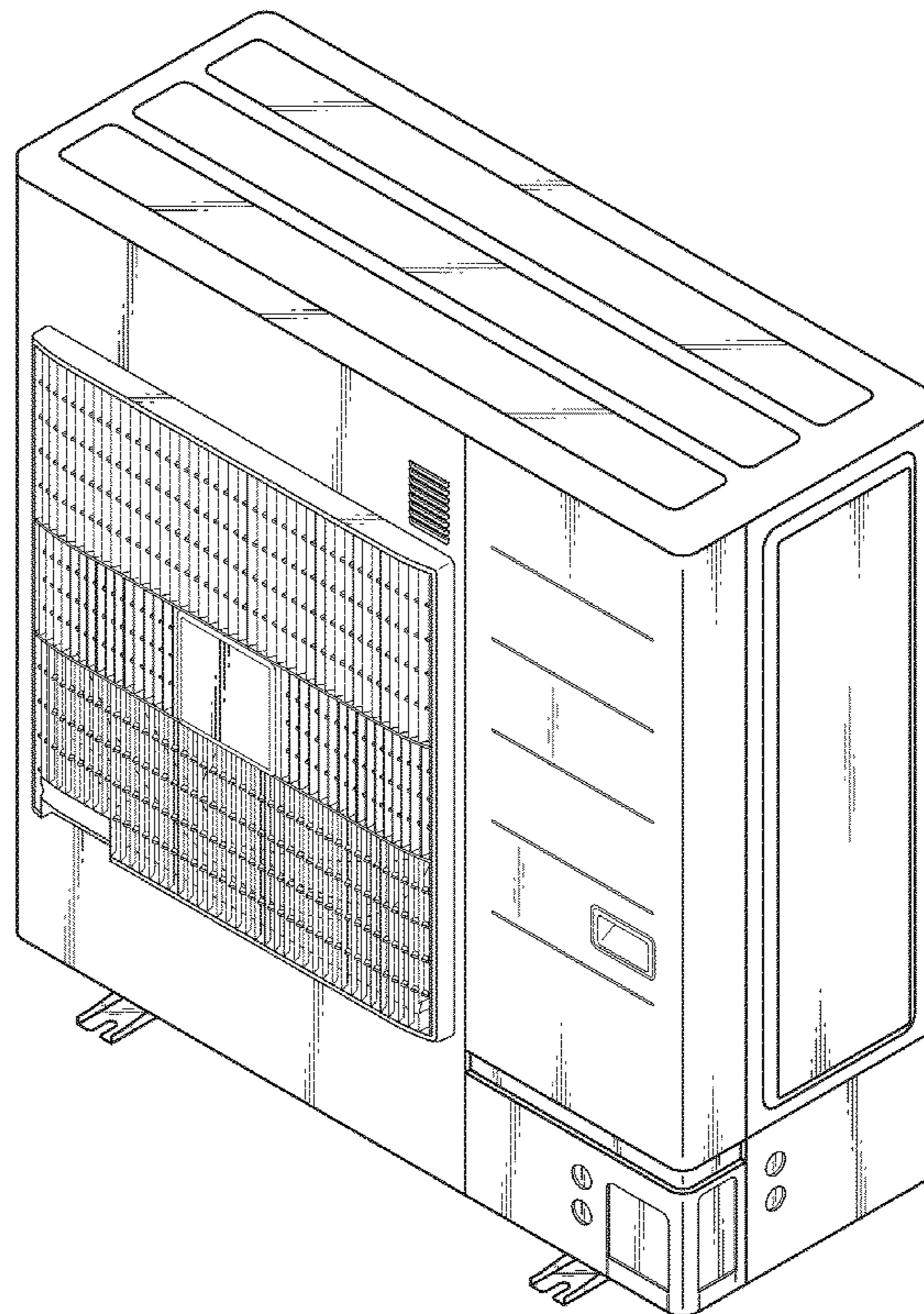


FIG. 1

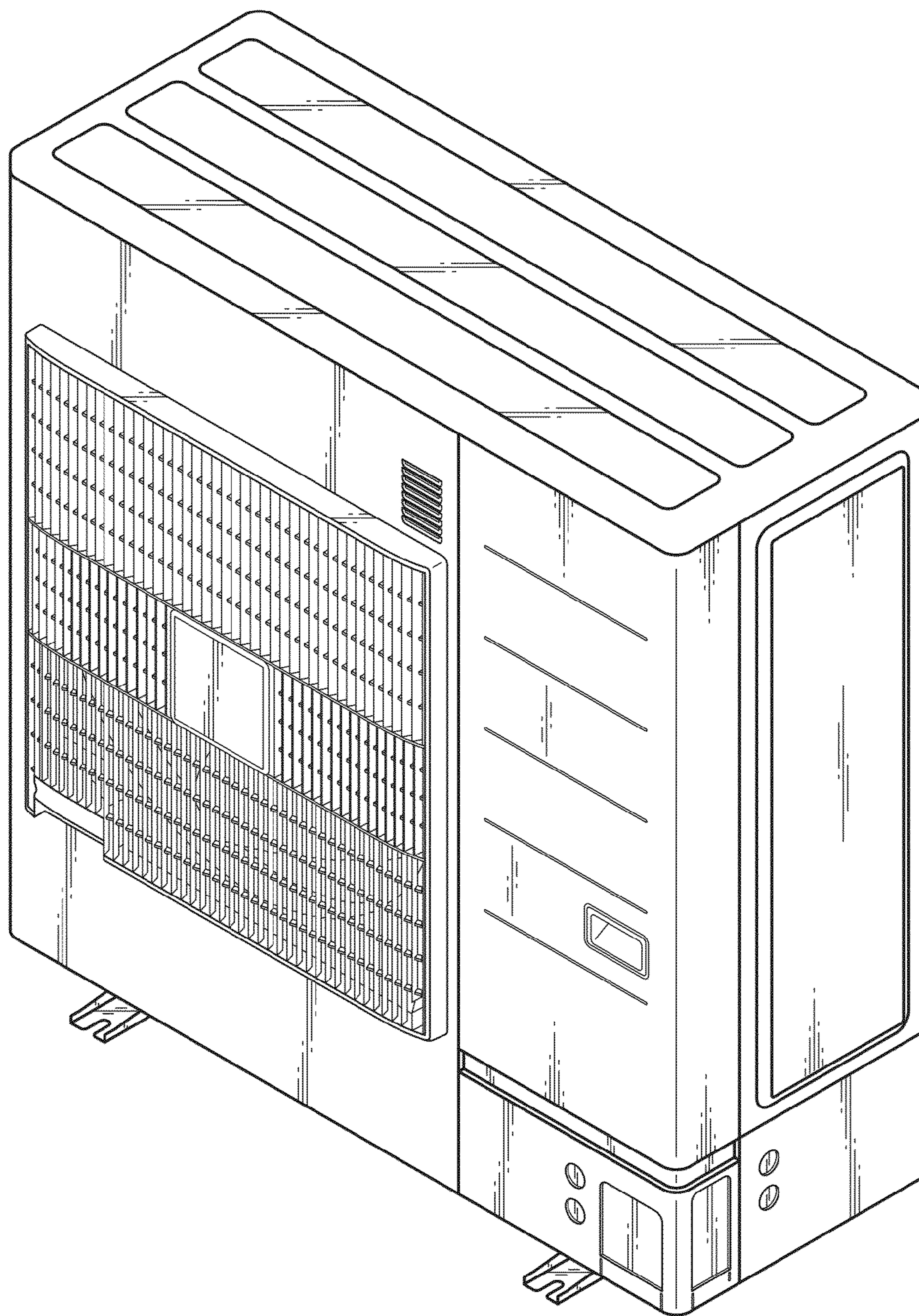


FIG. 2

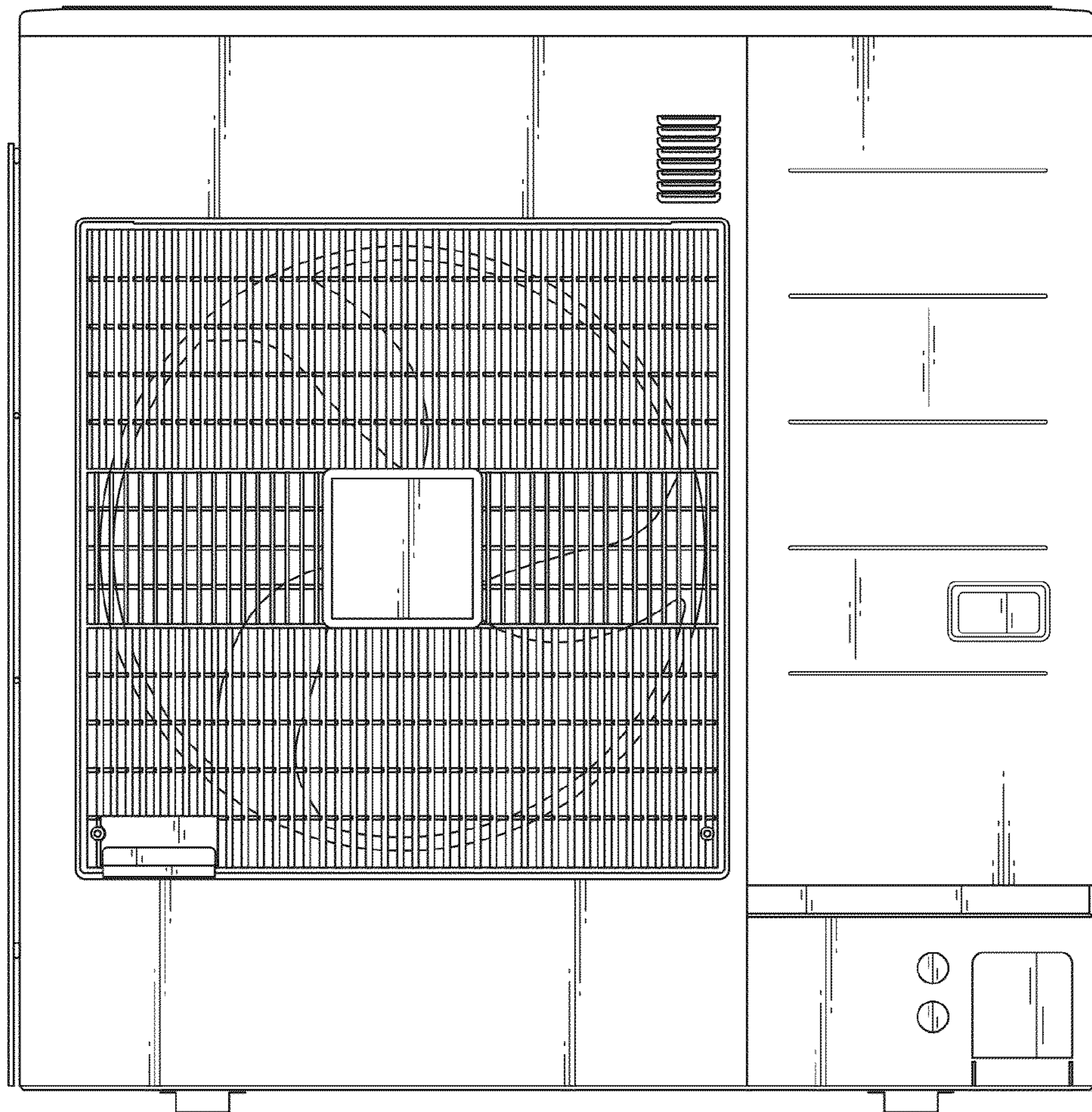


FIG. 3

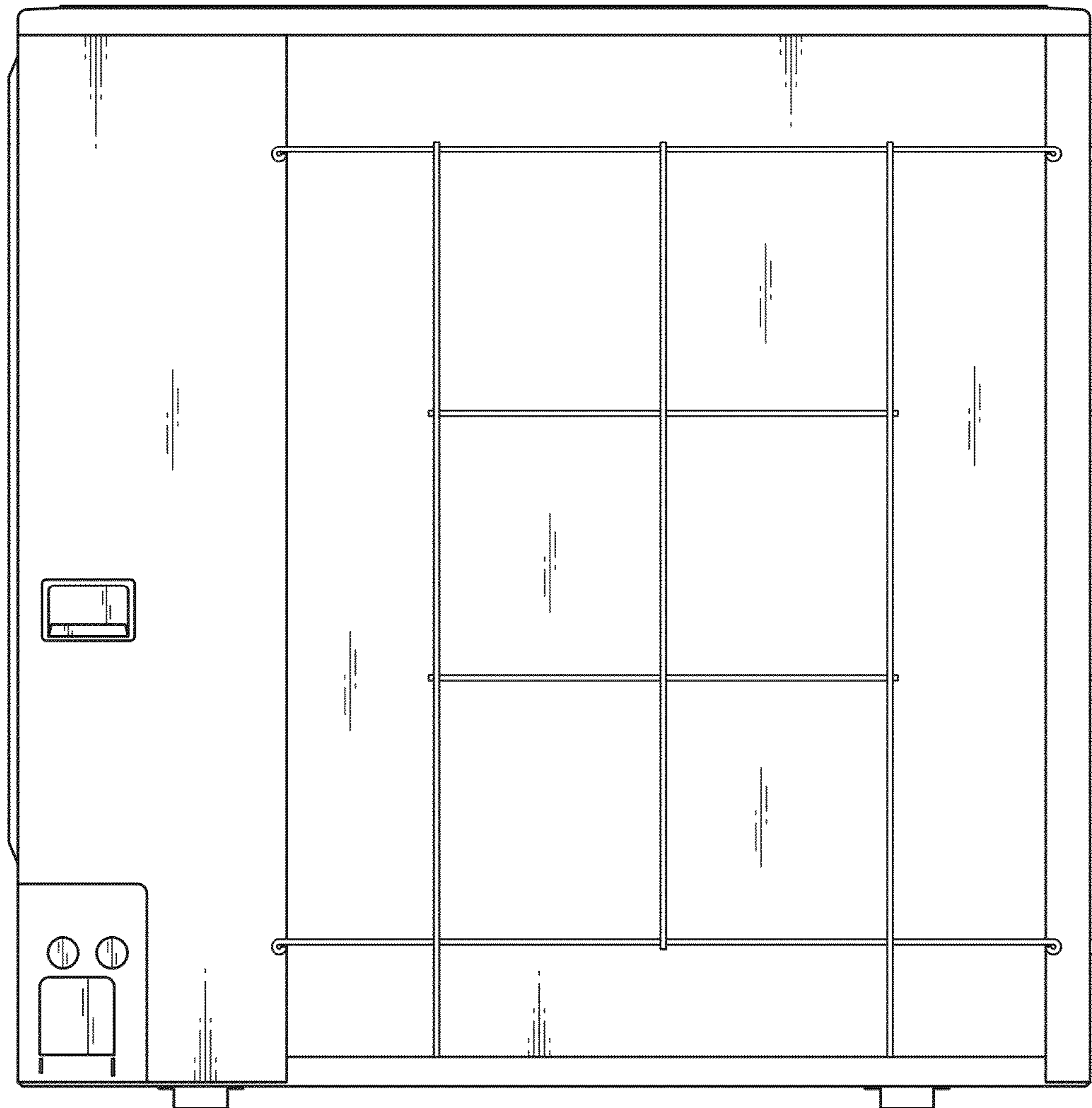


FIG. 4

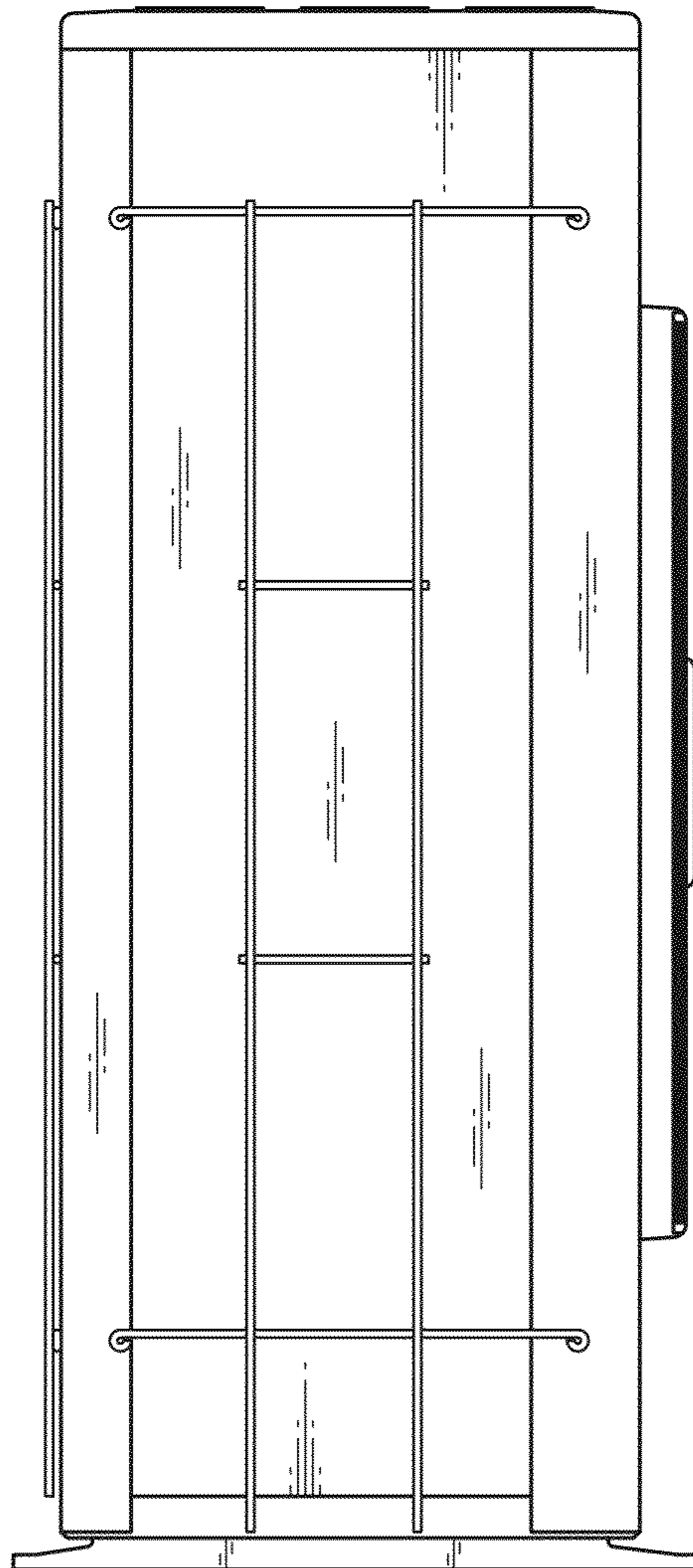


FIG. 5



FIG. 6

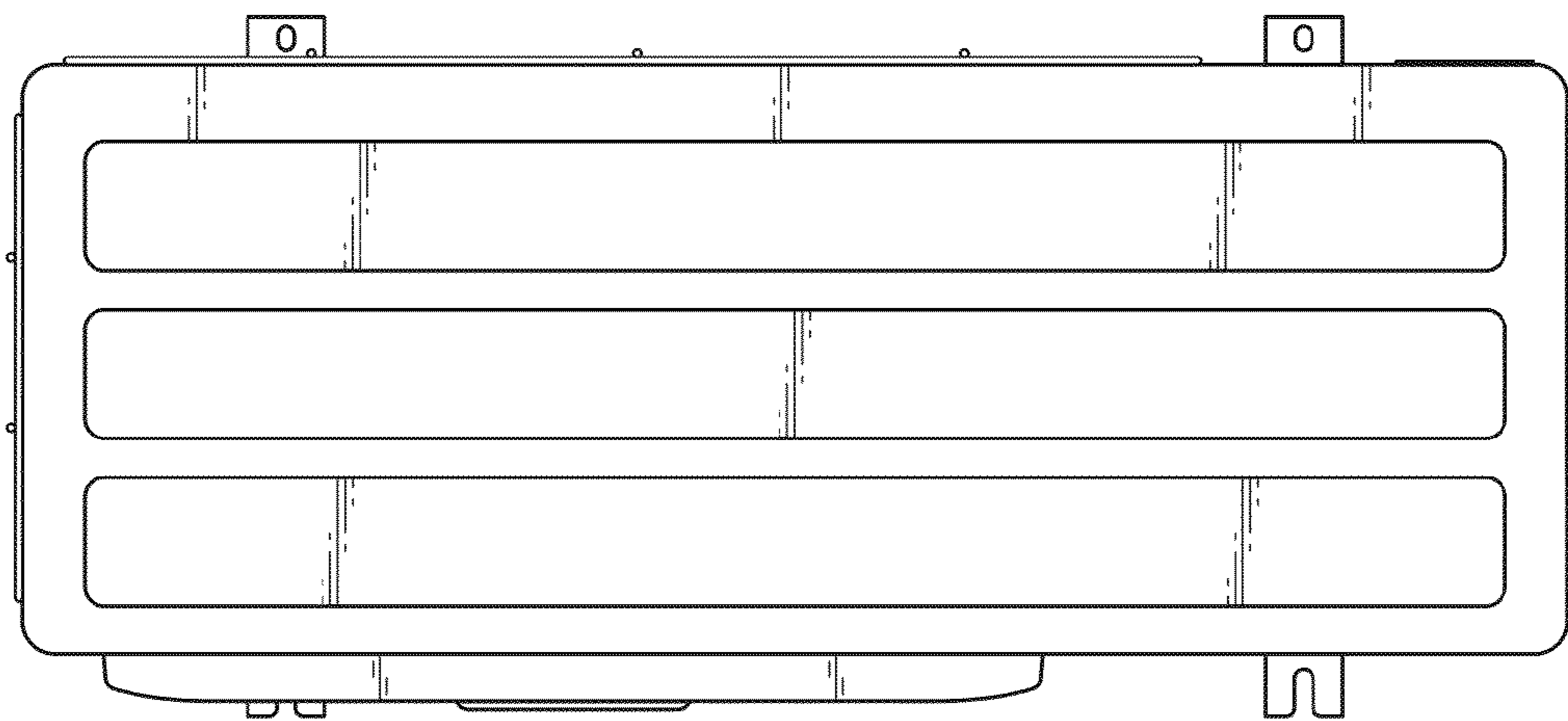


FIG. 7

