



US00D715907S

(12) **United States Design Patent**
Bergin

(10) **Patent No.:** **US D715,907 S**

(45) **Date of Patent:** **** Oct. 21, 2014**

(54) **AIR SHROUD**

(56) **References Cited**

(71) Applicant: **Dometic Corporation**, Louisville, KY
(US)

U.S. PATENT DOCUMENTS

(72) Inventor: **Bryan B. Bergin**, Granger, IN (US)

| | | | |
|-----------------|--------|-----------------|---------|
| D284,025 S | 5/1986 | Armstrong | |
| D300,777 S | 4/1989 | Bales et al. | |
| D306,341 S | 2/1990 | Bales et al. | |
| D495,041 S * | 8/2004 | Thomas | D23/325 |
| D538,413 S * | 3/2007 | Lyu et al. | D23/325 |
| D560,785 S * | 1/2008 | Galeazzi | D23/325 |
| D661,386 S * | 6/2012 | Bergin | D23/325 |
| 2013/0109294 A1 | 5/2013 | Tolinski et al. | |

(73) Assignee: **Dometic Corporation**, Louisville, KY
(US)

(**) Term: **14 Years**

* cited by examiner

(21) Appl. No.: **29/492,880**

Primary Examiner — Brian N Vinson

(22) Filed: **Jun. 3, 2014**

(74) *Attorney, Agent, or Firm* — Middleton Reutlinger;
James E. Cole

Related U.S. Application Data

(63) Continuation of application No. 29/479,834, filed on
Jan. 21, 2014.

(51) **LOC (10) Cl.** **23-04**

(52) **U.S. Cl.**
USPC **D23/325**

(58) **Field of Classification Search**
CPC B60H 1/262; B60H 1/246; B60H 1/26
USPC D23/325; 62/244; 454/136, 143-145,
454/151

See application file for complete search history.

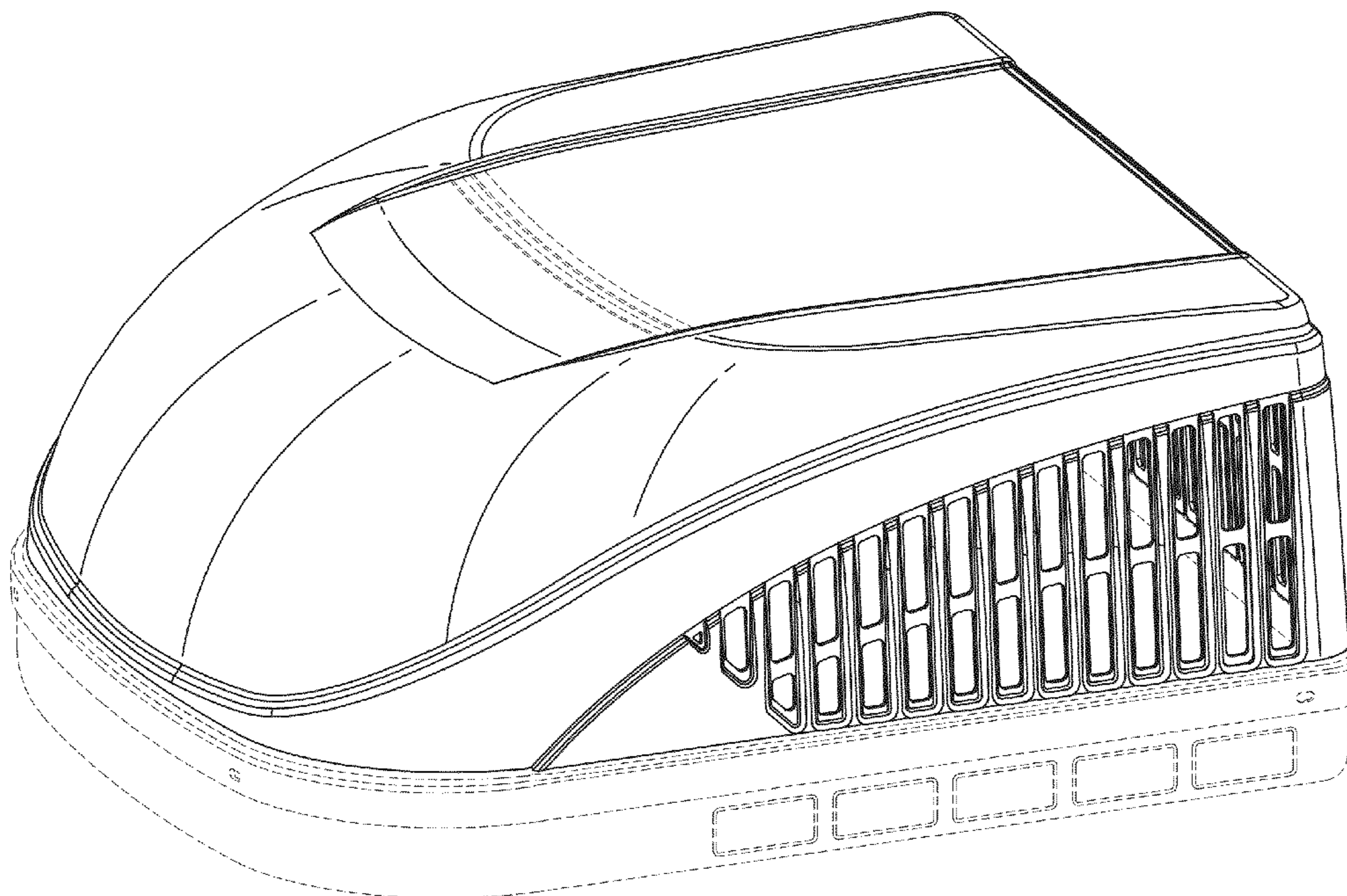
(57) **CLAIM**

The ornamental design for an air shroud, as shown and
described.

DESCRIPTION

FIG. 1 is a front perspective view of an air shroud showing my
new design;
FIG. 2 is a right side elevational view thereof;
FIG. 3 is a left side elevational view thereof;
FIG. 4 is a rear elevational view thereof;
FIG. 5 is a front elevational view thereof;
FIG. 6 is a top plan view thereof; and,
FIG. 7 is a bottom plan view thereof.
The broken line disclosure represent unclaimed portions of
the air shroud in which the design is embodied.

1 Claim, 7 Drawing Sheets



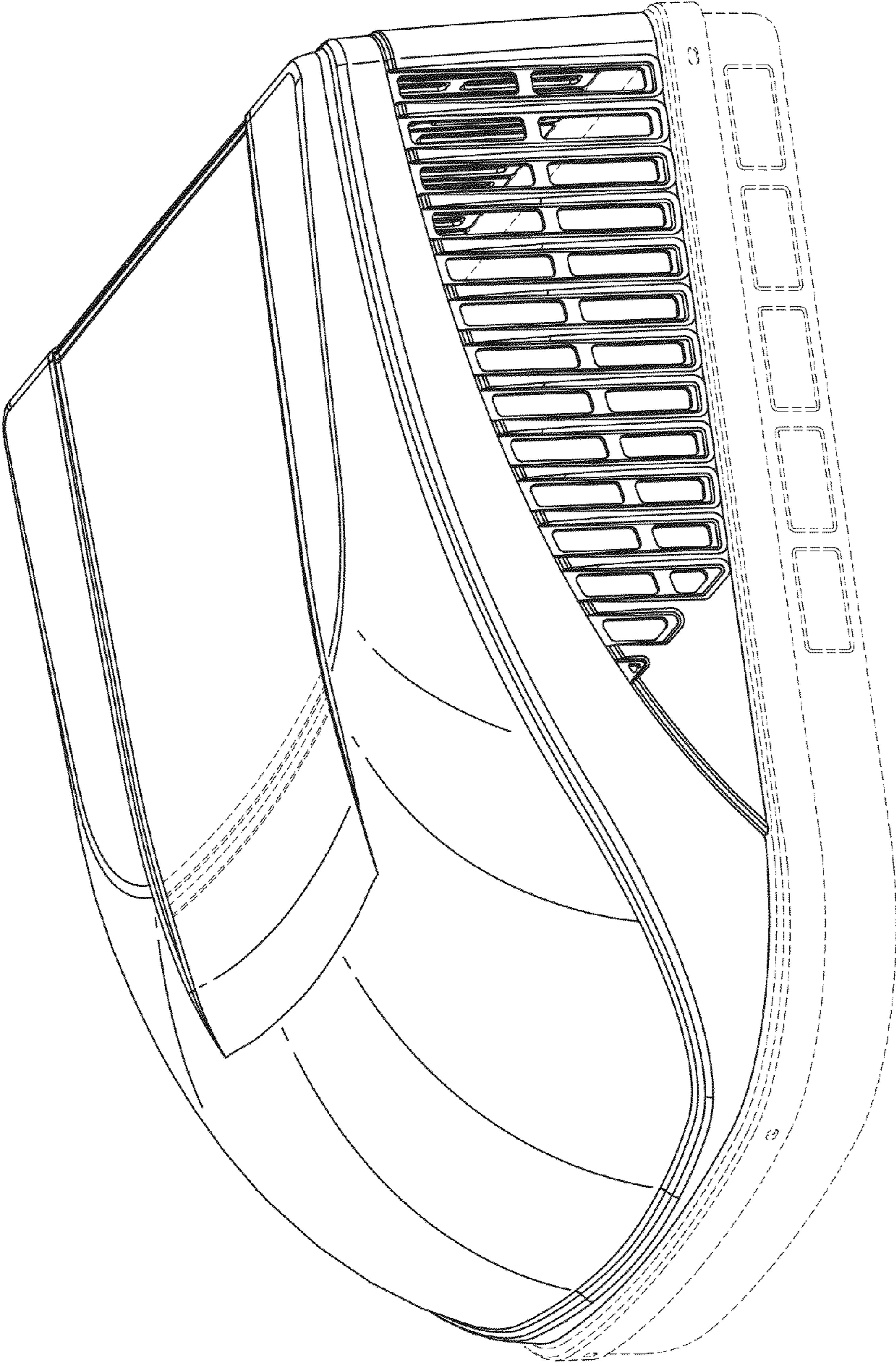


FIG. 1

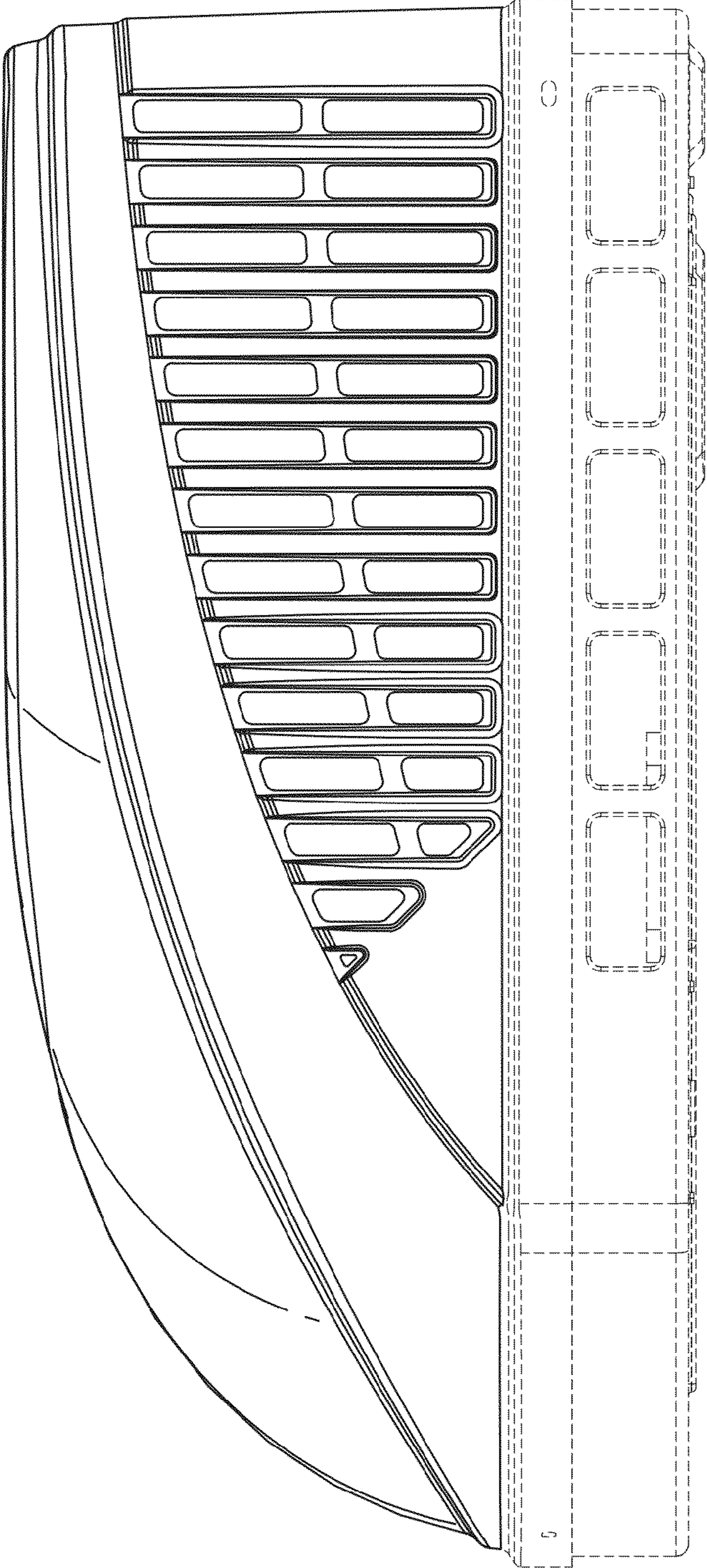


FIG. 2

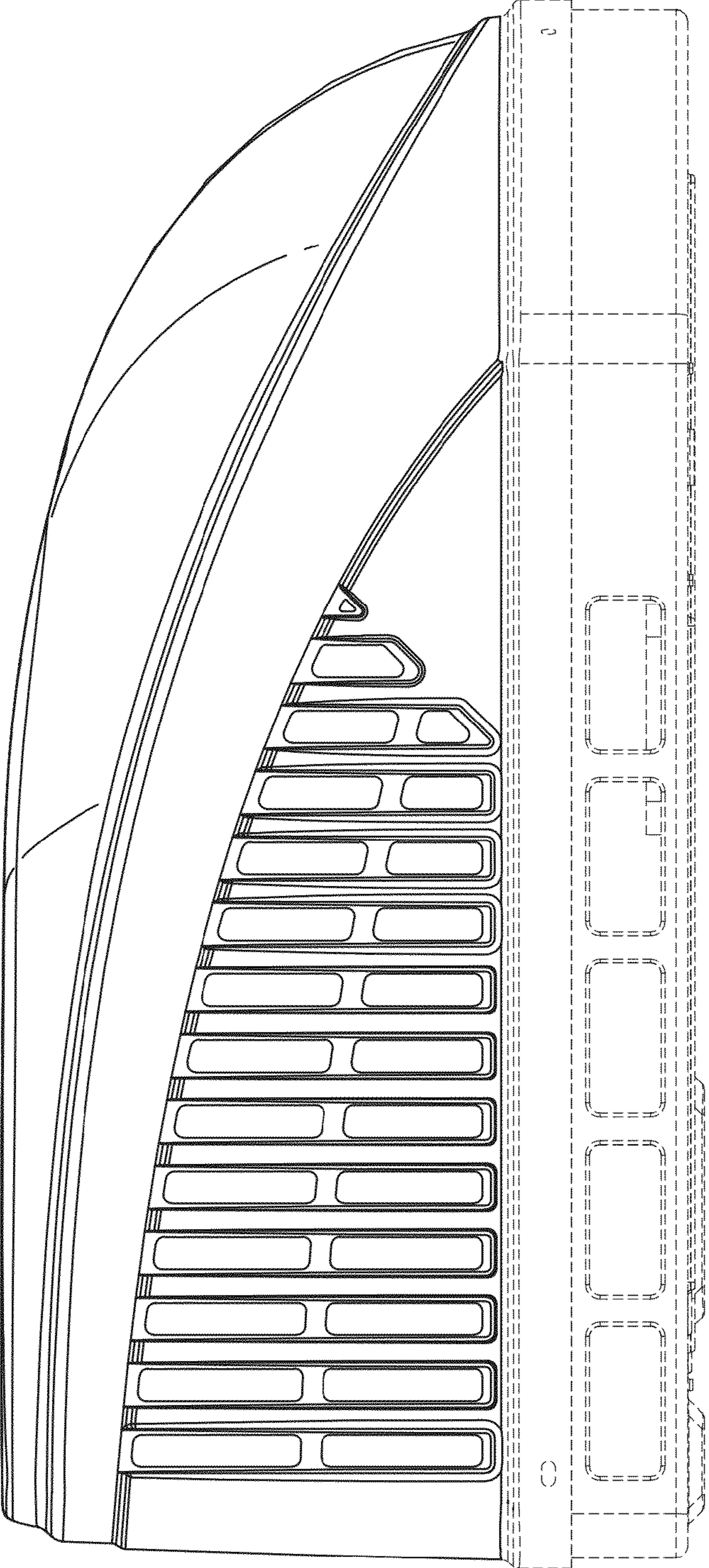


FIG. 3

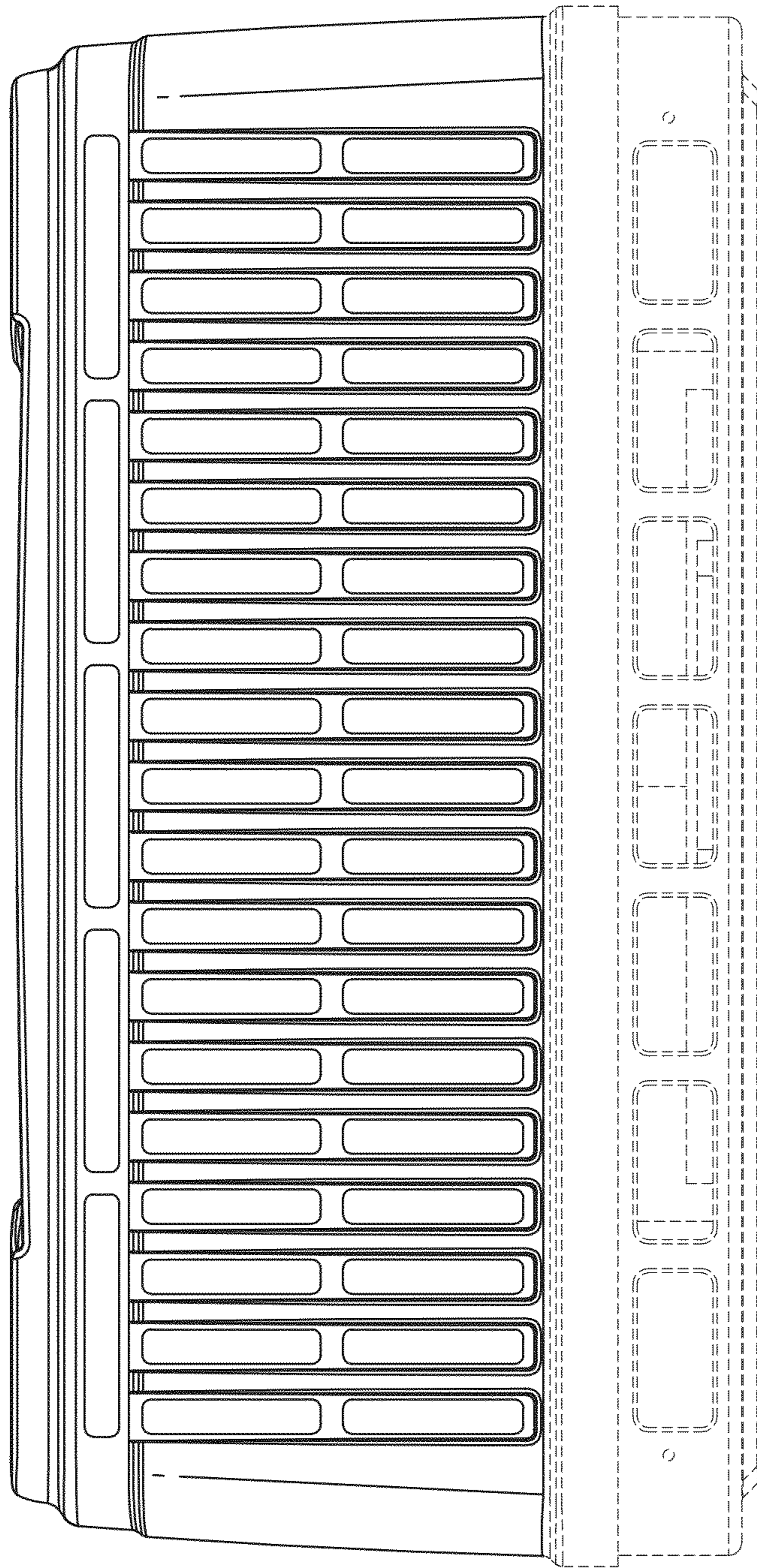


FIG. 4

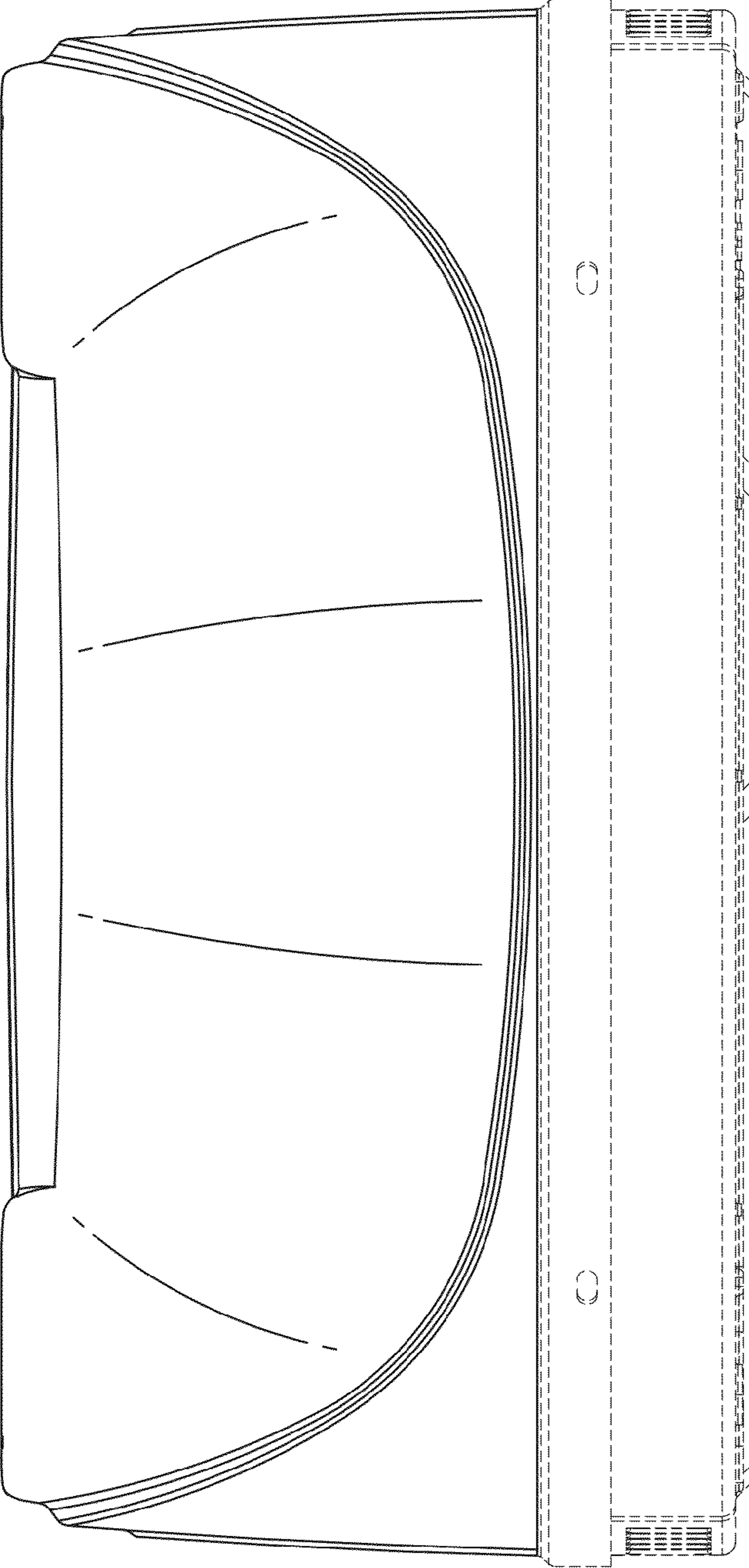


FIG. 5

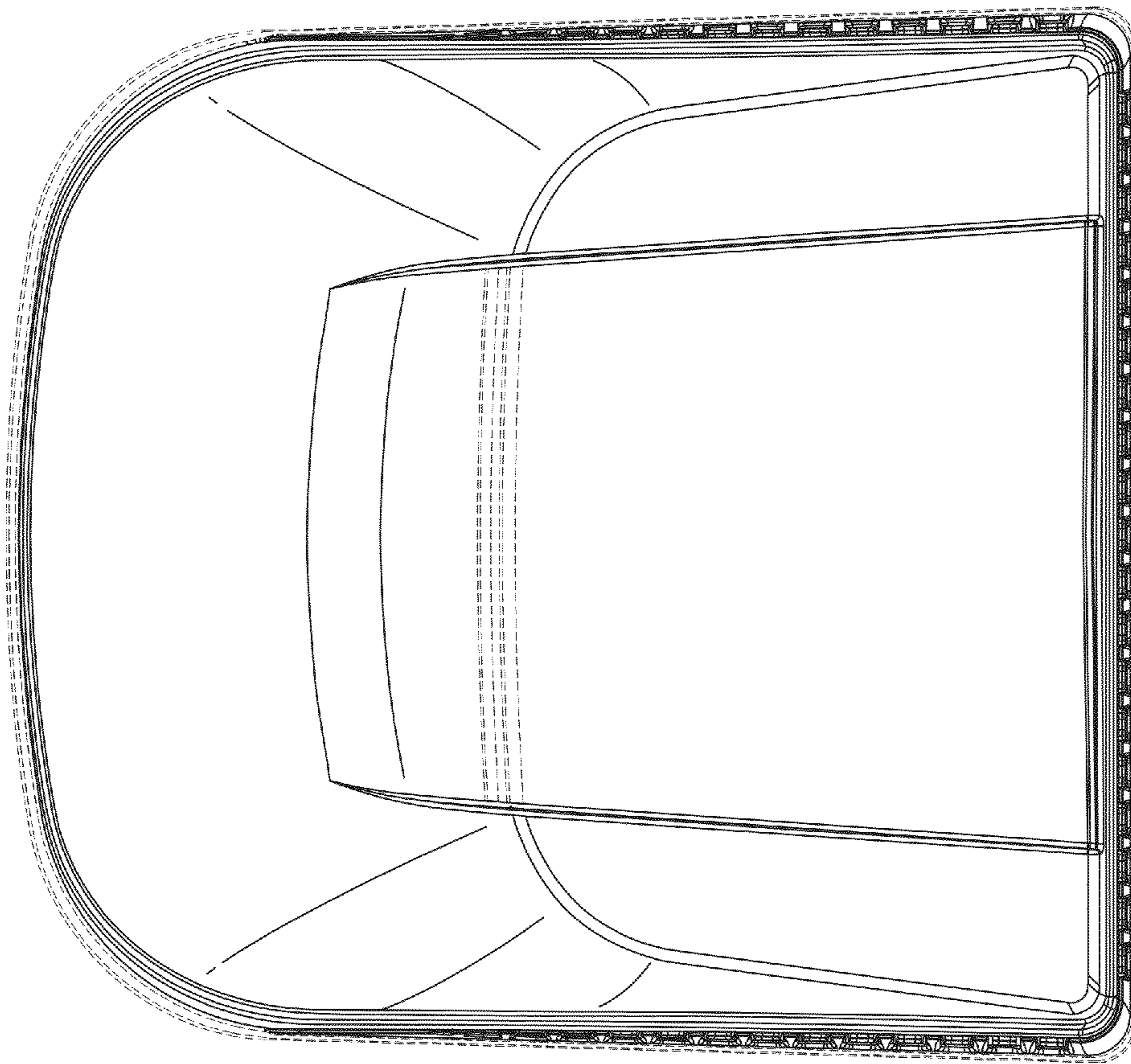


FIG. 6

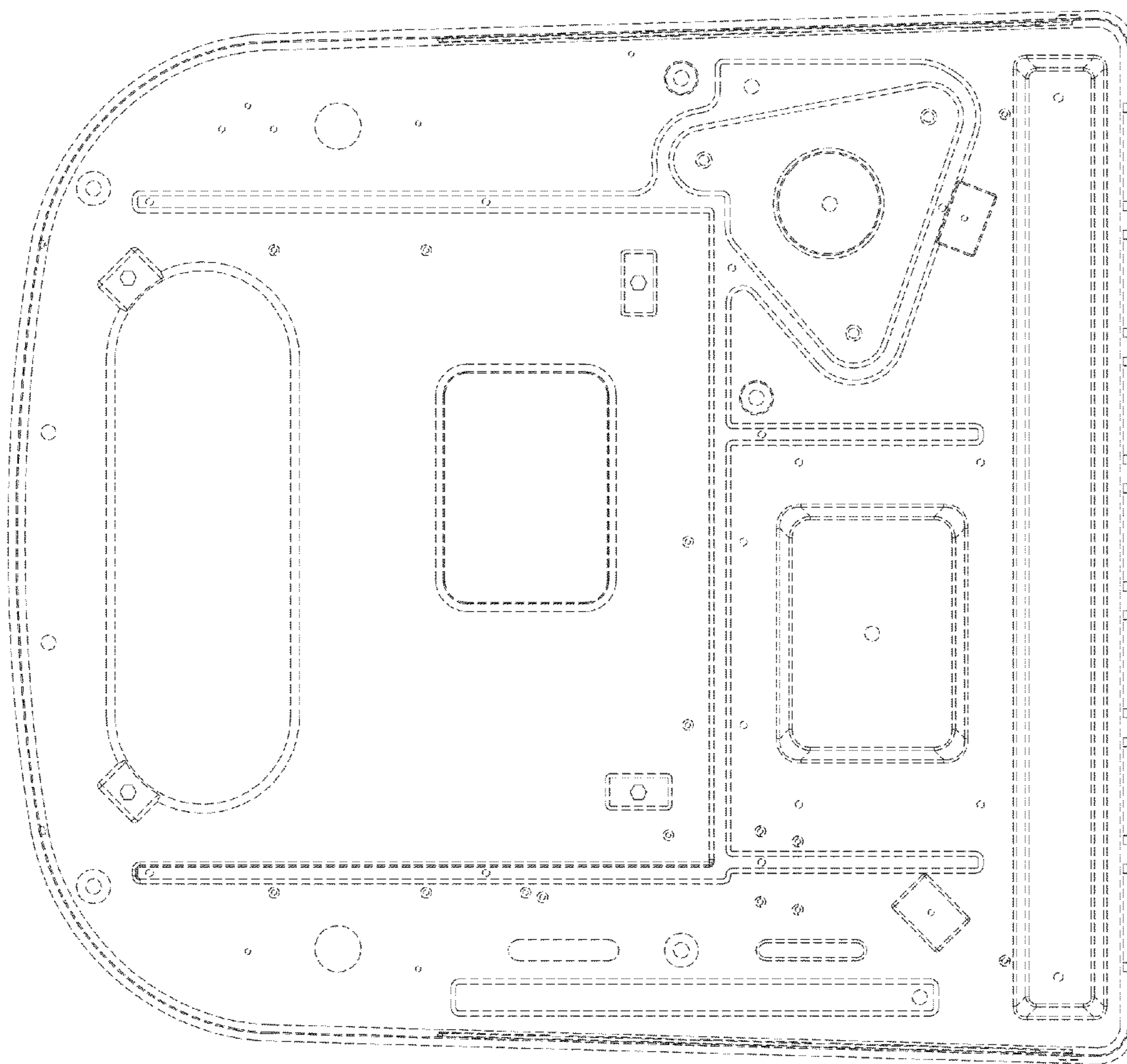


FIG. 7