



US00D715906S

(12) **United States Design Patent**
Christen et al.

(10) **Patent No.:** **US D715,906 S**
(45) **Date of Patent:** **** Oct. 21, 2014**

(54) **BOILER CABINET AND COVER**

(71) Applicant: **Lochinvar, LLC**, Lebanon, TN (US)

(72) Inventors: **Elan R. Christen**, Nashville, TN (US);
Moshin H. Ibrahim, Nashville, TN
(US); **Brian J. Iske**, Murfreesboro, TN
(US); **Neil W. Rolph**, Lebanon, TN
(US); **Robert W. Wiseman**, Brentwood,
TN (US); **Howard S. Ryan**, Skaneateles,
NY (US); **Douglas M. Russell**,
Syracuse, NY (US); **Kurt R. Werner**,
Auburn, NY (US)

(73) Assignee: **Lochinvar, LLC**, Lebanon, TN (US)

(**) Term: **14 Years**

(21) Appl. No.: **29/479,637**

(22) Filed: **Jan. 17, 2014**

(51) **LOC (10) Cl.** **23-03**

(52) **U.S. Cl.**
USPC **D23/319**

(58) **Field of Classification Search**
USPC D23/314, 332, 335-355, 378, 370, 381,
D23/386, 333, 328, 361, 385, 417, 357, 334,
D23/359, 362, 366, 322, 319, 318; 392/365,
392/367, 424, 383, 411, 360, 369,
392/373-376; 126/183, 110 B, 500, 544,
126/547

See application file for complete search history.

(56) **References Cited**

U.S. PATENT DOCUMENTS

D486,897 S * 2/2004 Rolph et al. D23/319
D533,648 S * 12/2006 Moskwa et al. D23/319
D687,134 S * 7/2013 Lee D23/320

OTHER PUBLICATIONS

Ex. A: Lochinvar Knight boiler photo and drawings, 2 pp.

Ex. B: Lochinvar Crest boiler photo and drawings, 2 pp.

Ex. C: Lochinvar Sync boiler photo and drawings, 2 pp.

Ex. D: Lochinvar Shield brochure, 4 pp.

Design U.S. Appl. No. 29/479,629 for "Cover for a Boiler Cabinet"
filed Jan. 17, 2014, 9 pp.

* cited by examiner

Primary Examiner — T. Chase Nelson

Assistant Examiner — Ania Aman

(74) *Attorney, Agent, or Firm* — Wadley & Patterson, P.C.;
Lucian Wayne Beavers

(57) **CLAIM**

What is claimed is the ornamental design for a boiler cabinet
and cover, as shown and described.

DESCRIPTION

FIG. 1 is a top front perspective view of the boiler cabinet and
cover. The broken lines in the center of the cover are shown to
define a boundary around a control panel portion of the article
which is not part of the claimed design. The area within the
broken line boundary is not part of the claimed design.

FIG. 2 is a front elevation view of the boiler cabinet and cover
of FIG. 1. The broken lines in the center of the cover are
shown to define a boundary around a control panel portion of
the article which is not part of the claimed design. The area
within the broken line boundary is not part of the claimed
design.

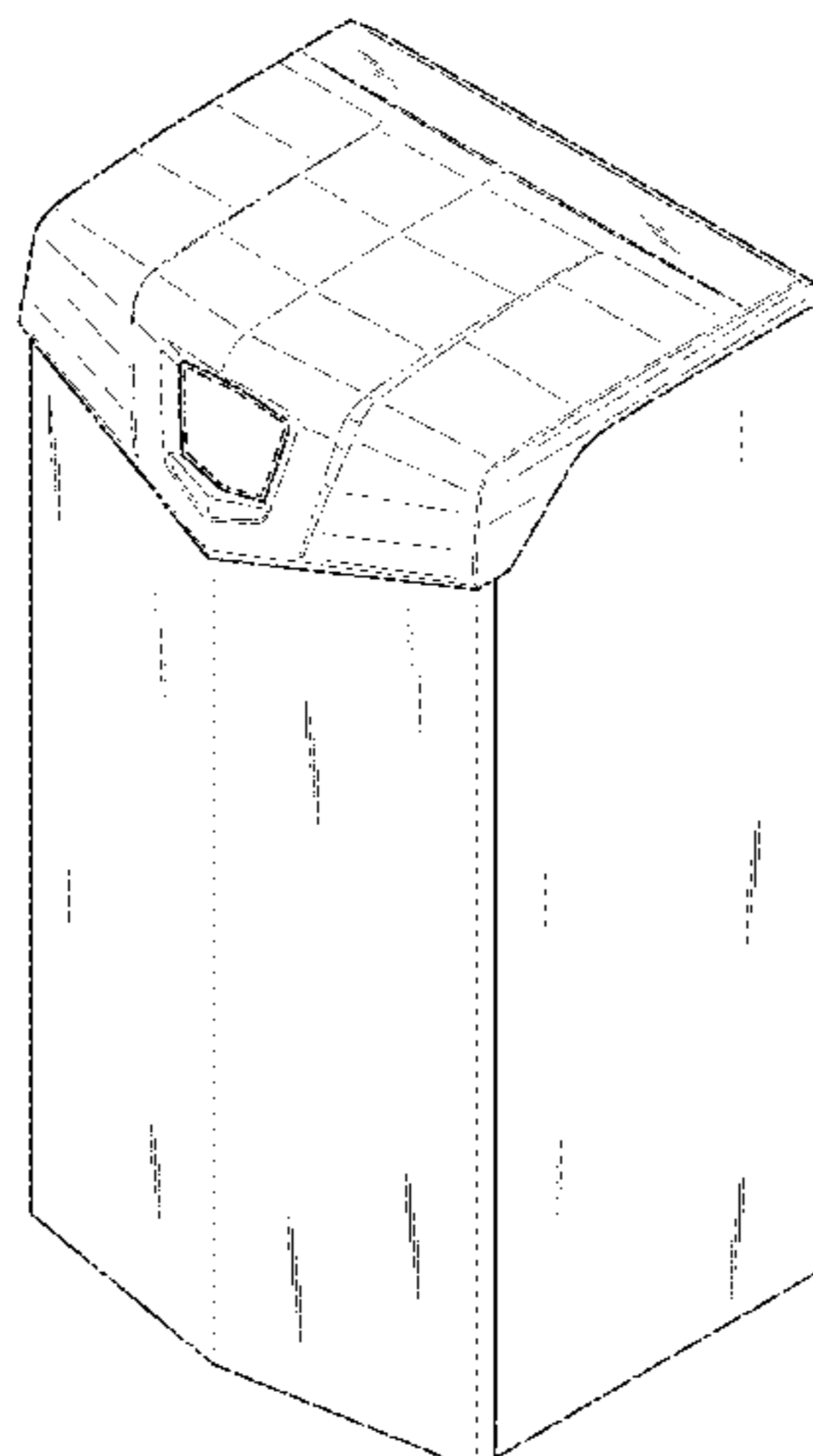
FIG. 3 is a left side elevation view of the boiler cabinet and
cover of FIG. 1.

FIG. 4 is a right side elevation view of the boiler cabinet and
cover of FIG. 1.

FIG. 5 is a top plan view of the boiler cabinet and cover of
FIG. 1; and,

FIG. 6 is a rear elevation view of the boiler cabinet and cover
of FIG. 1. The broken lines inside the rear profile are shown to
define a boundary around a portion of the article which is not
part of the claimed design. The area within the broken line
boundary is not part of the claimed design.

1 Claim, 6 Drawing Sheets



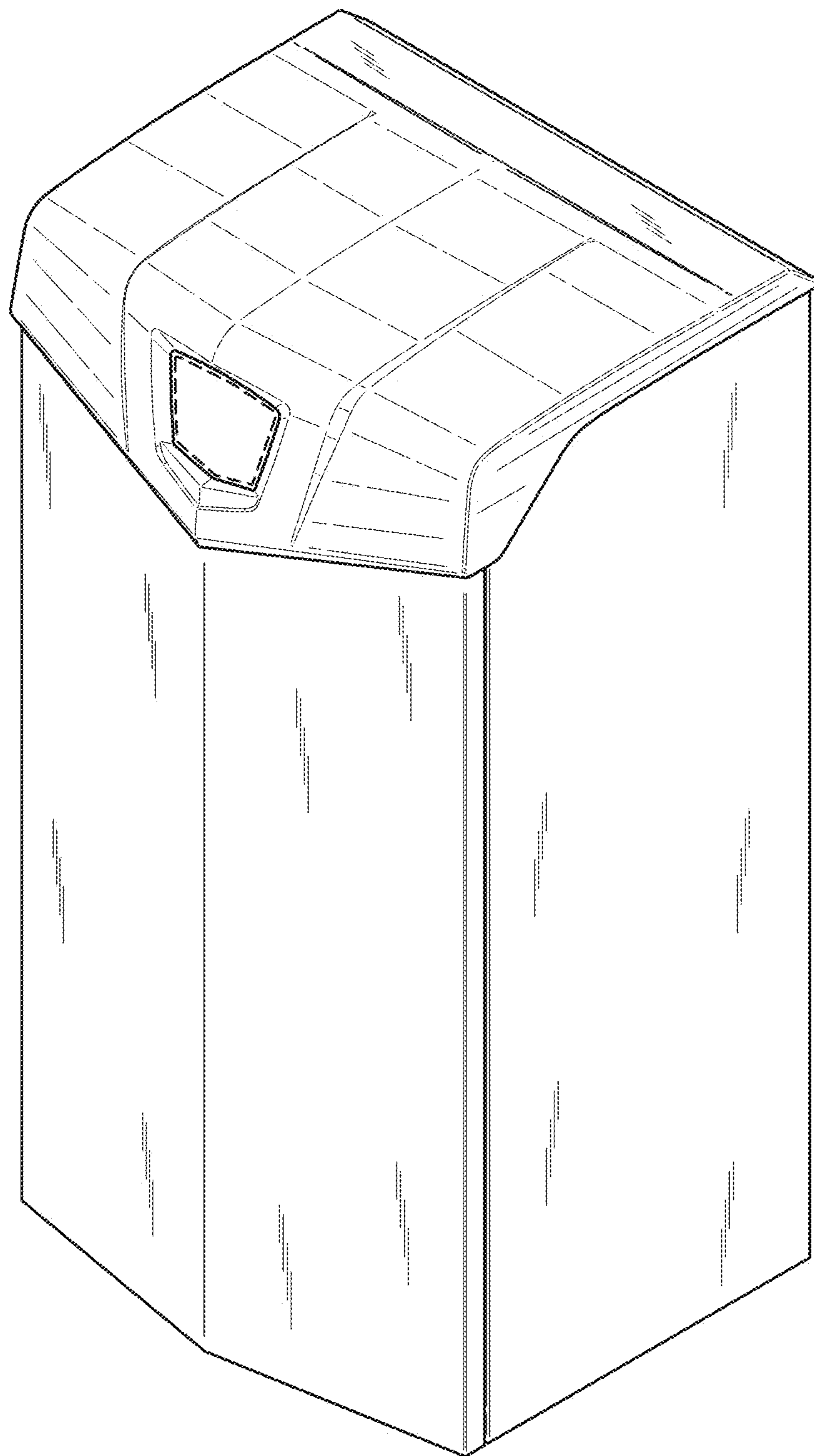


FIG. 1

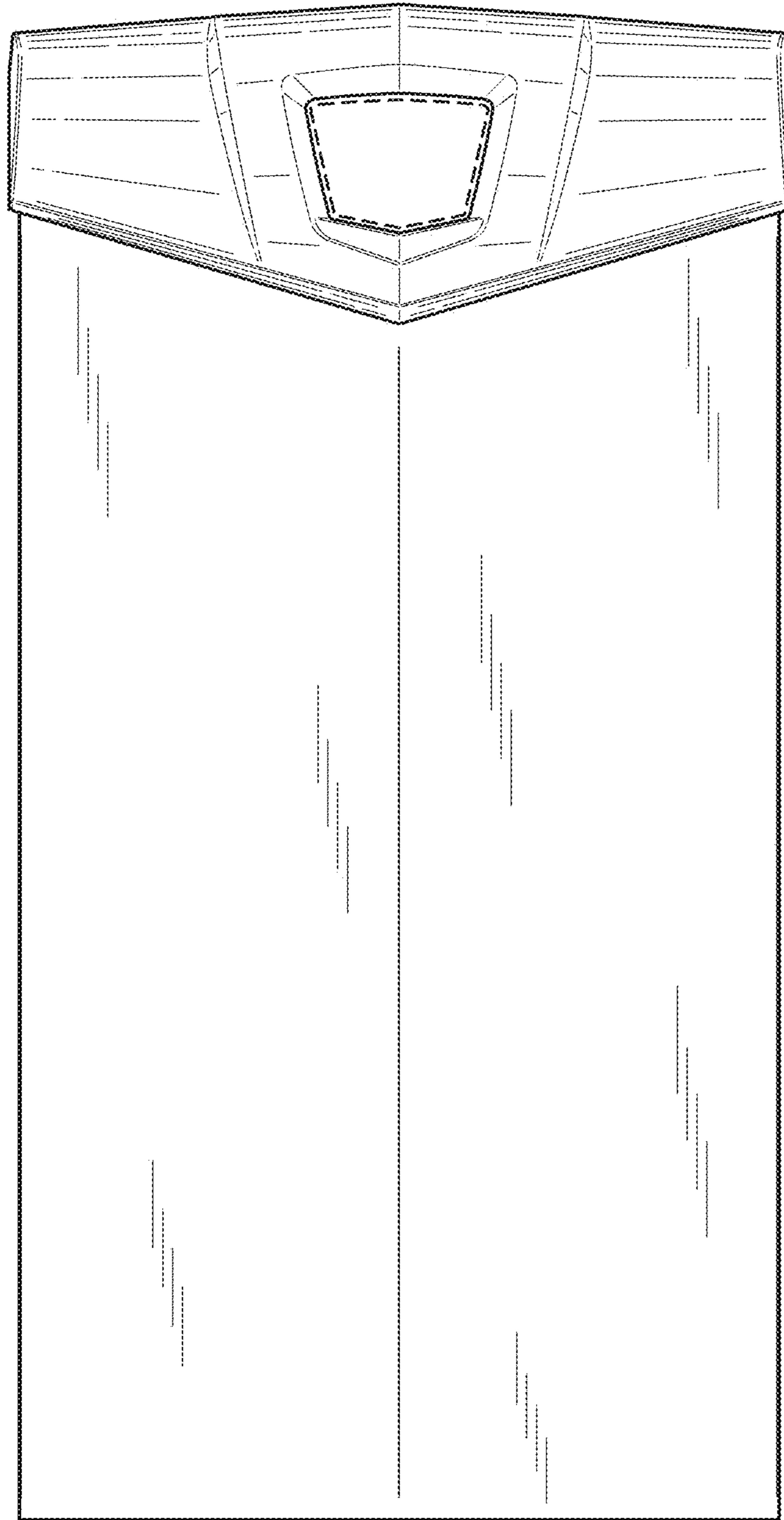


FIG. 2

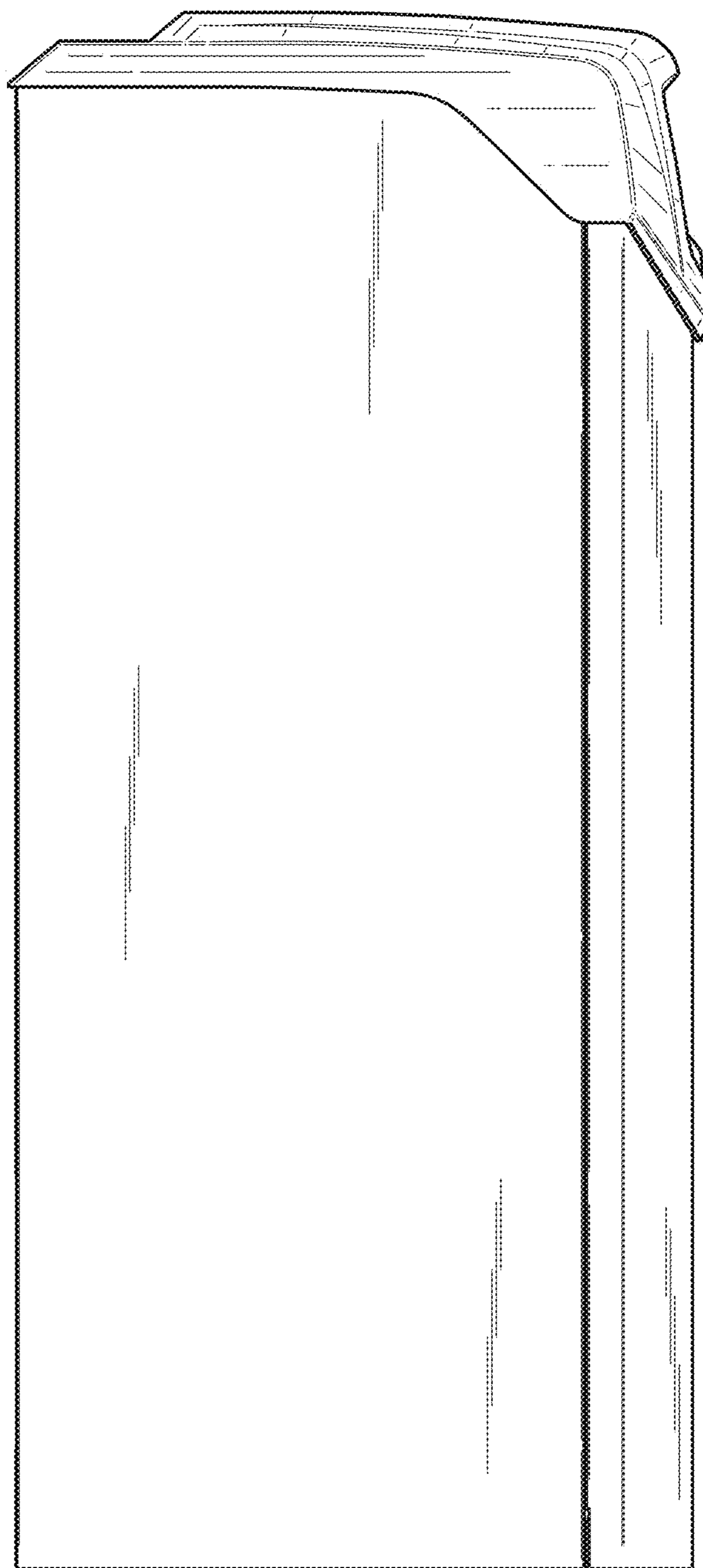


FIG. 3

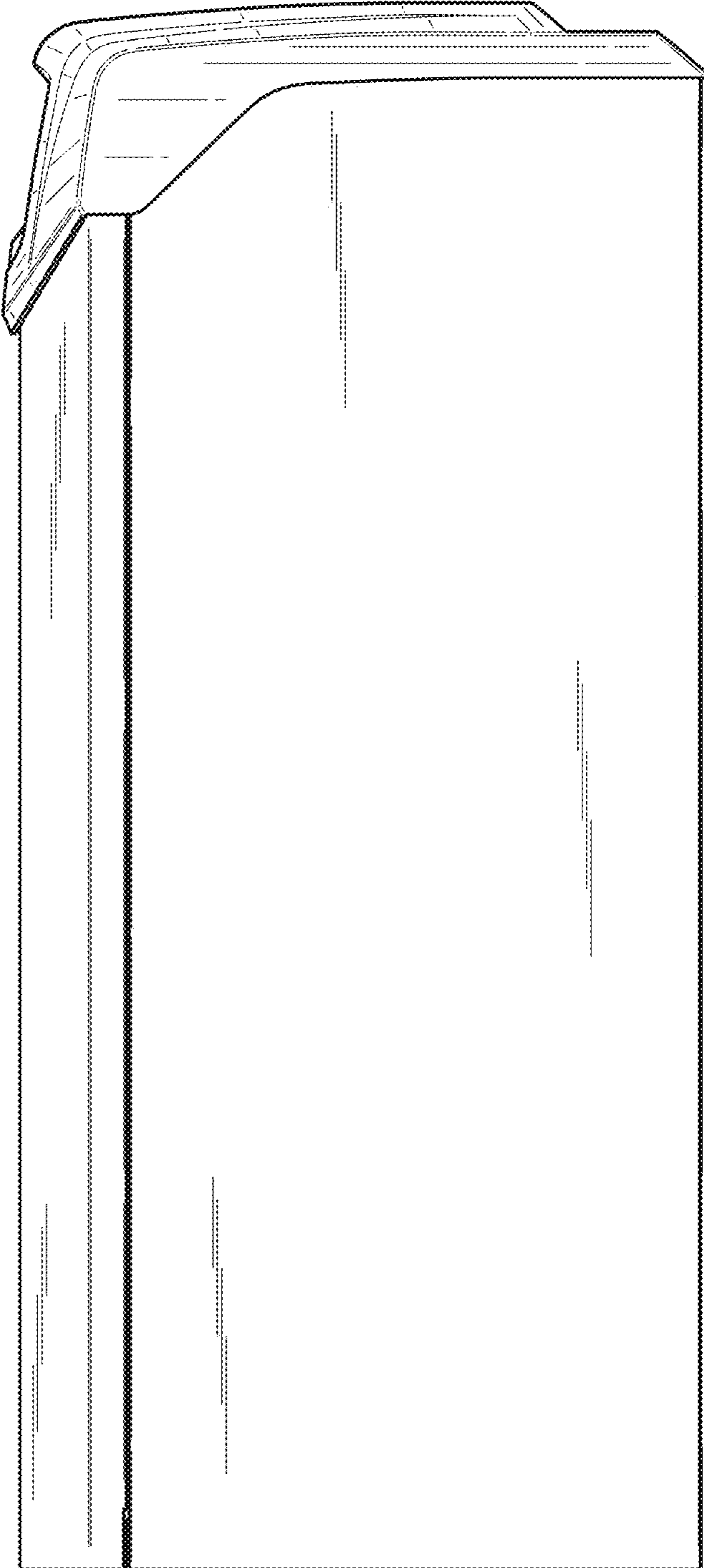


FIG. 4

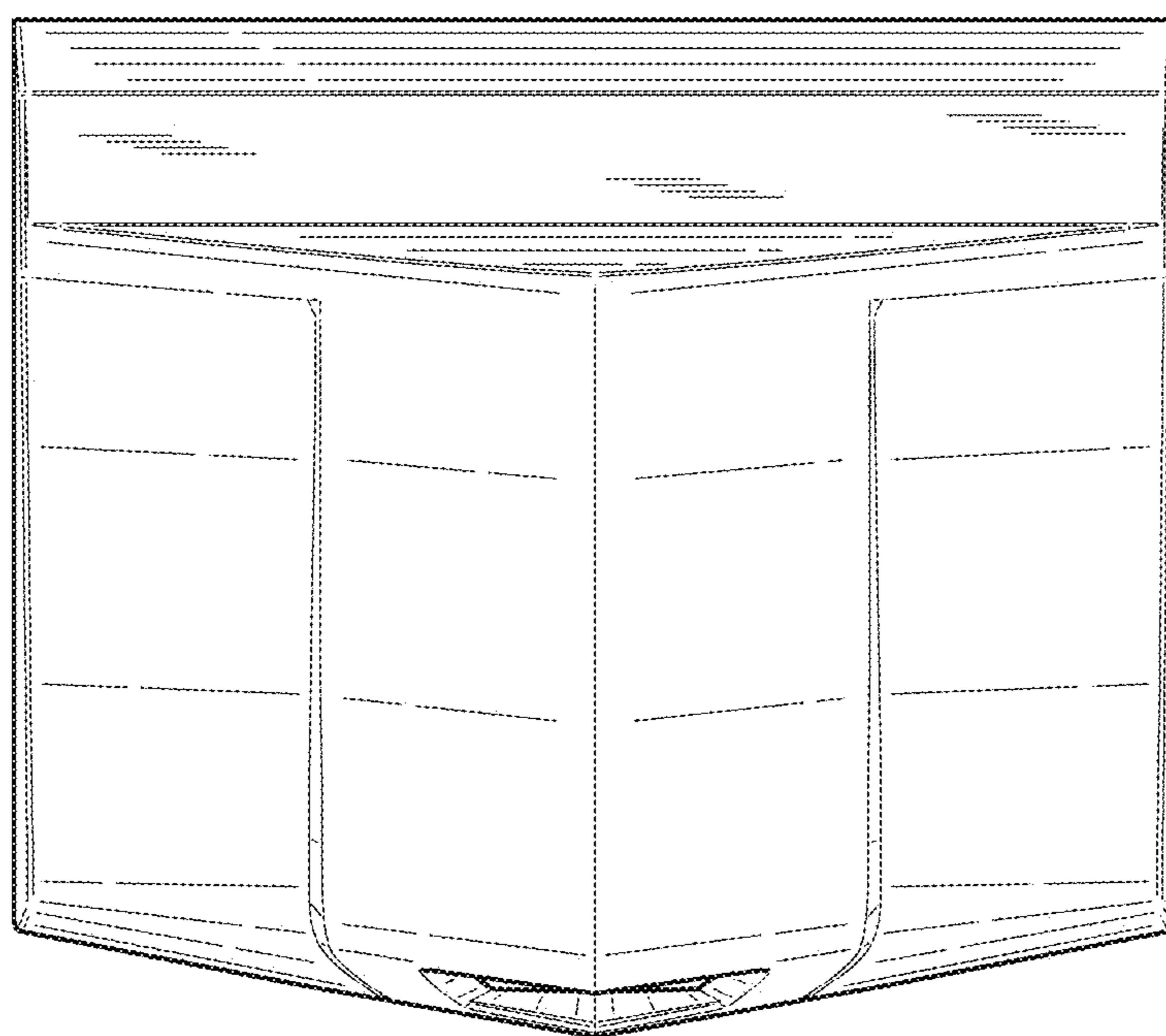


FIG. 5

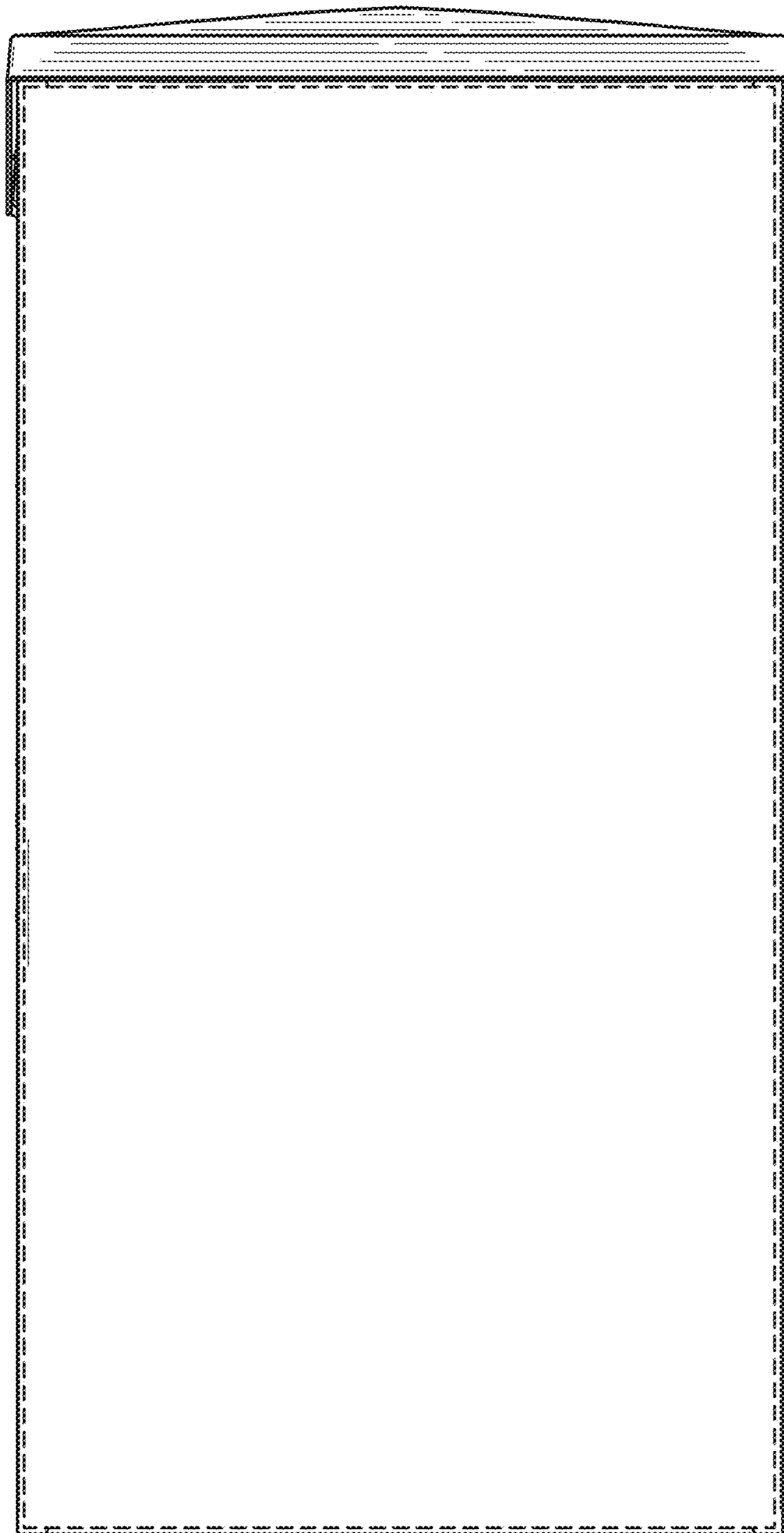


FIG. 6