



US00D715905S

(12) **United States Design Patent**  
**Christen et al.**

(10) **Patent No.:** **US D715,905 S**

(45) **Date of Patent:** **\*\* Oct. 21, 2014**

(54) **COVER FOR A BOILER CABINET**

(71) Applicant: **Lochinvar, LLC**, Lebanon, TN (US)

(72) Inventors: **Elan R. Christen**, Nashville, TN (US);  
**Moshin H. Ibrahim**, Nashville, TN (US); **Brian J. Iske**, Murfreesboro, TN (US); **Neil W. Rolph**, Lebanon, TN (US); **Robert W. Wiseman**, Brentwood, TN (US); **Howard S. Ryan**, Skaneateles, NY (US); **Douglas M. Russell**, Syracuse, NY (US); **Kurt R. Werner**, Auburn, NY (US)

(73) Assignee: **Lochinvar, LLC**, Lebanon, TN (US)

(\*\*) Term: **14 Years**

(21) Appl. No.: **29/479,629**

(22) Filed: **Jan. 17, 2014**

(51) **LOC (10) Cl.** ..... **23-03**

(52) **U.S. Cl.**  
USPC ..... **D23/319**

(58) **Field of Classification Search**  
USPC ..... D23/314, 332, 335-355, 378, 370, 381,  
D23/386, 333, 328, 361, 385, 417, 357, 334,  
D23/359, 362, 366, 322, 319, 318; 392/365,  
392/367, 424, 383, 411, 360, 369,  
392/373-376; 126/183, 110 B, 500, 544,  
126/547

See application file for complete search history.

(56) **References Cited**

**U.S. PATENT DOCUMENTS**

D486,897 S \* 2/2004 Rolph et al. .... D23/319  
D533,648 S \* 12/2006 Moskwa et al. .... D23/319  
D687,134 S \* 7/2013 Lee ..... D23/320

**OTHER PUBLICATIONS**

U.S. Appl. No. 29/479,637 for "Boiler Cabinet and Cover" filed Jan. 17, 2014, 8 pp (not prior art). Ex. A: Lochinvar Knight boiler photo and drawings, 2 pp. (admitted to be prior art).

Ex. B: Lochinvar Crest boiler photo and drawings, 2 pp. (admitted to be prior art).

Ex. C: Lochinvar Sync boiler photo and drawings, 2 pp. (admitted to be prior art).

Ex. D: Lochinvar Shield brochure, 4 pp. (admitted to be prior art).

\* cited by examiner

*Primary Examiner* — T. Chase Nelson

*Assistant Examiner* — Ania Aman

(74) *Attorney, Agent, or Firm* — Waddey & Patterson, P.C.;  
Lucian Wayne Beavers

(57) **CLAIM**

What is claimed is the ornamental design for a cover for a boiler cabinet, as shown and described.

**DESCRIPTION**

FIG. 1 is a top front perspective view of the cover for a boiler cabinet. The broken lines in the center of the cover are shown to define a boundary around a control panel portion of the article which is not part of the claimed design. The area within the broken line boundary is not part of the claimed design. The broken lines below the cover are shown for environmental purposes only and form no part of the claimed design.

FIG. 2 is a front elevation view of the cover for a boiler cabinet of FIG. 1. The broken lines in the center of the cover are shown to define a boundary around a control panel portion of the article which is not part of the claimed design. The area within the broken line boundary is not part of the claimed design. The broken lines below the cover are shown for environmental purposes only and form no part of the claimed design.

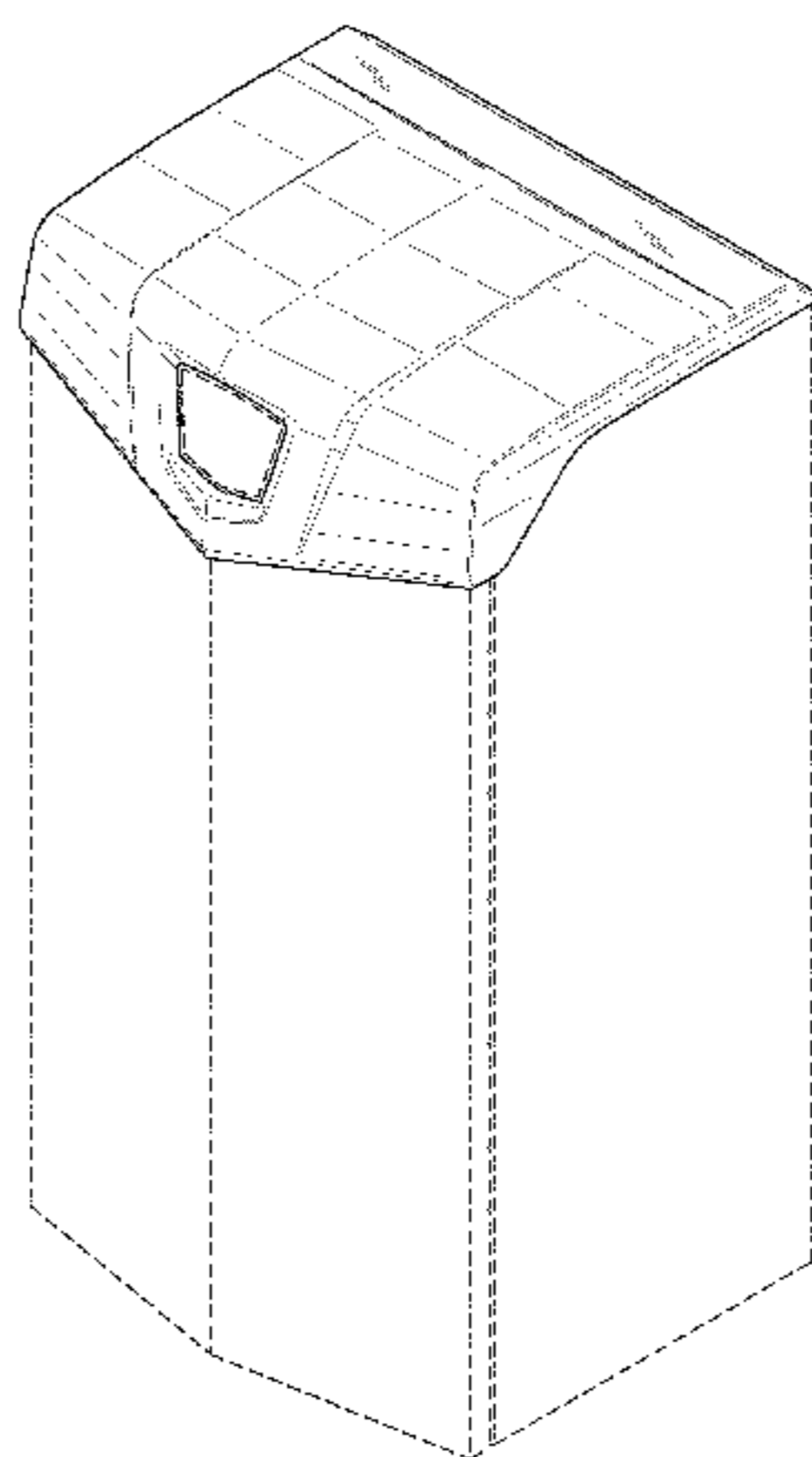
FIG. 3 is a left side elevation view of the cover for a boiler cabinet of FIG. 1. The broken lines below the cover are shown for environmental purposes only and form no part of the claimed design.

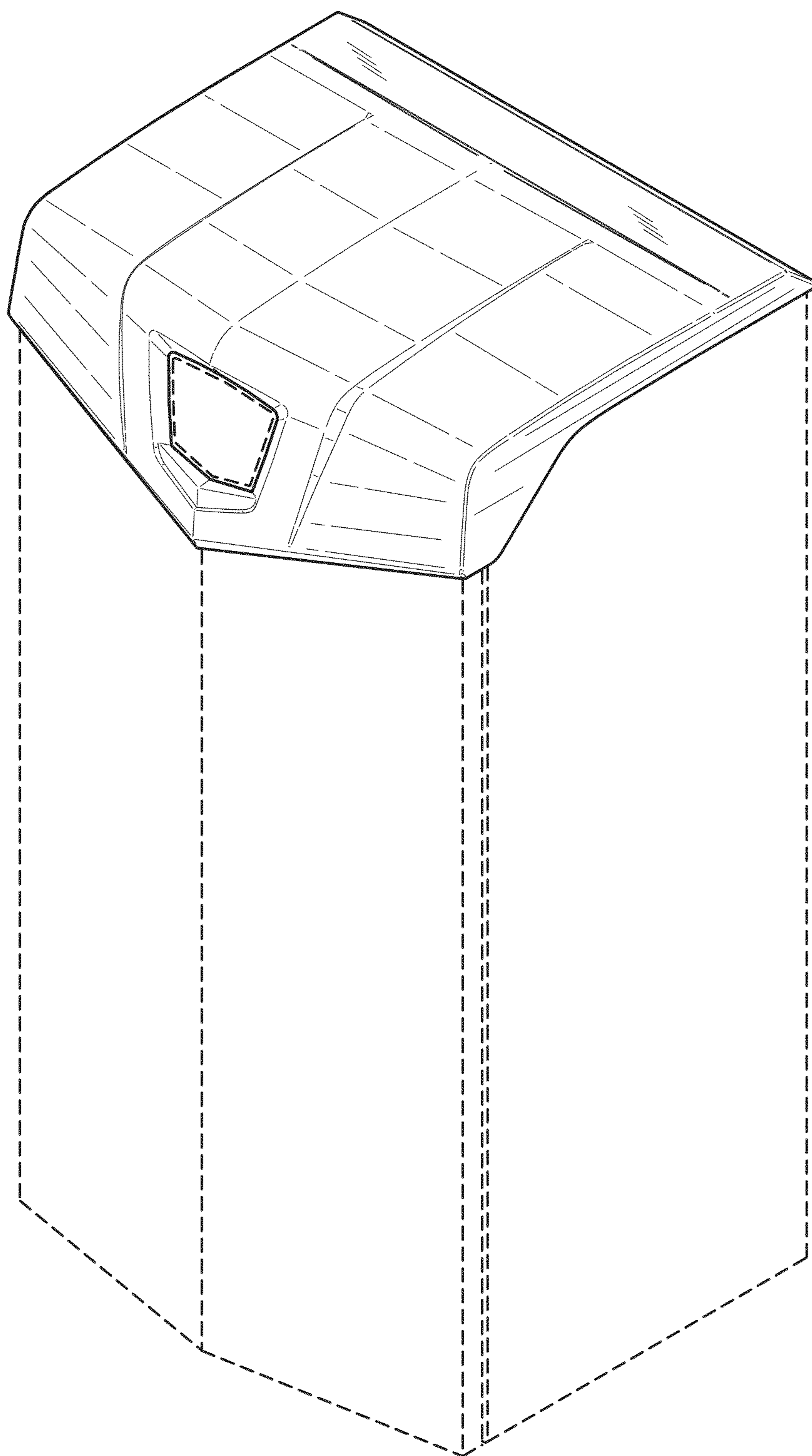
FIG. 4 is a right side elevation view of the cover for a boiler cabinet of FIG. 1. The broken lines below the cover are shown for environmental purposes only and form no part of the claimed design.

FIG. 5 is a top plan view of the cover for a boiler cabinet of FIG. 1; and,

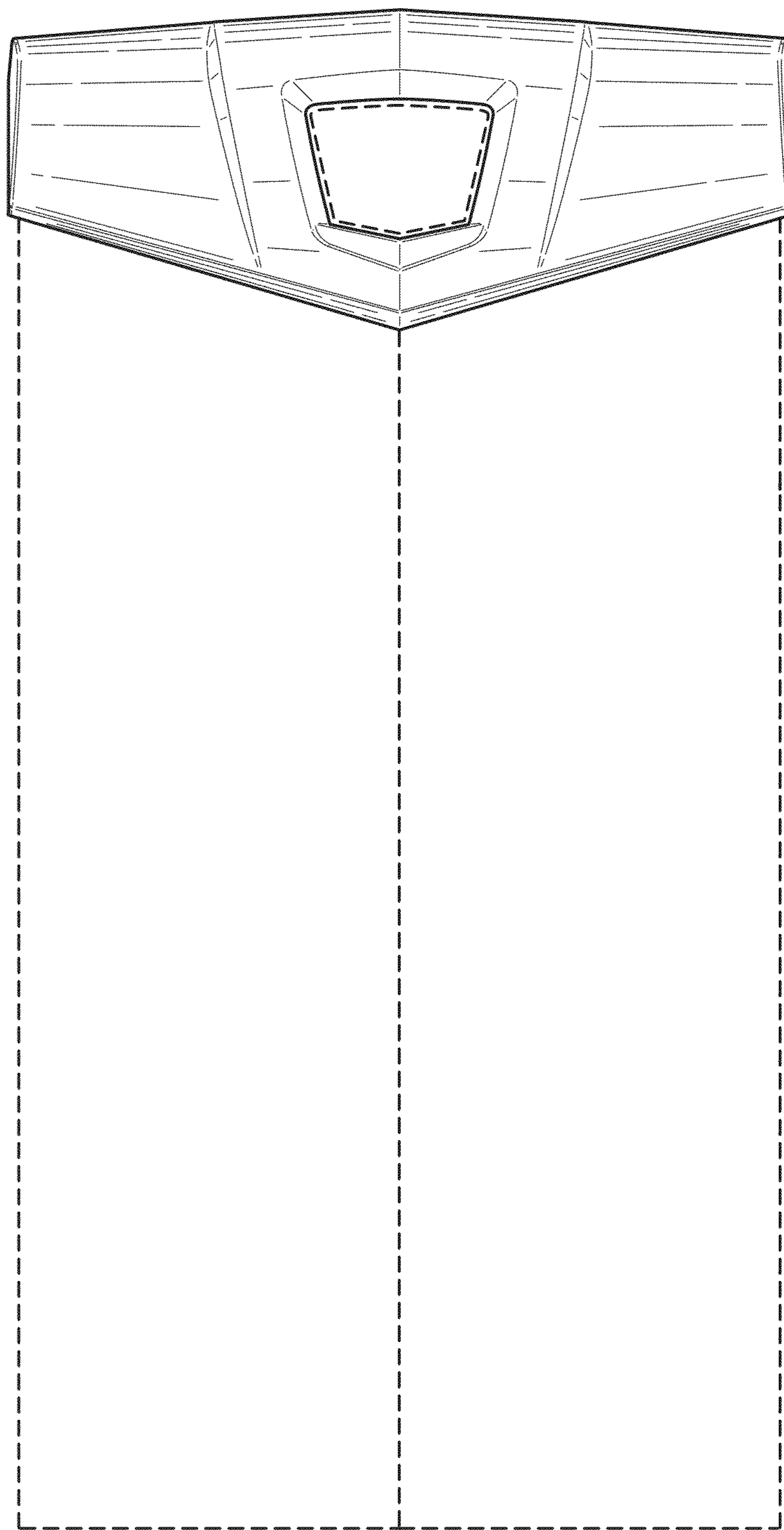
FIG. 6 is a rear elevation view of the cover for a boiler cabinet of FIG. 1. The broken lines below the cover are shown for environmental purposes only and form no part of the claimed design.

**1 Claim, 6 Drawing Sheets**

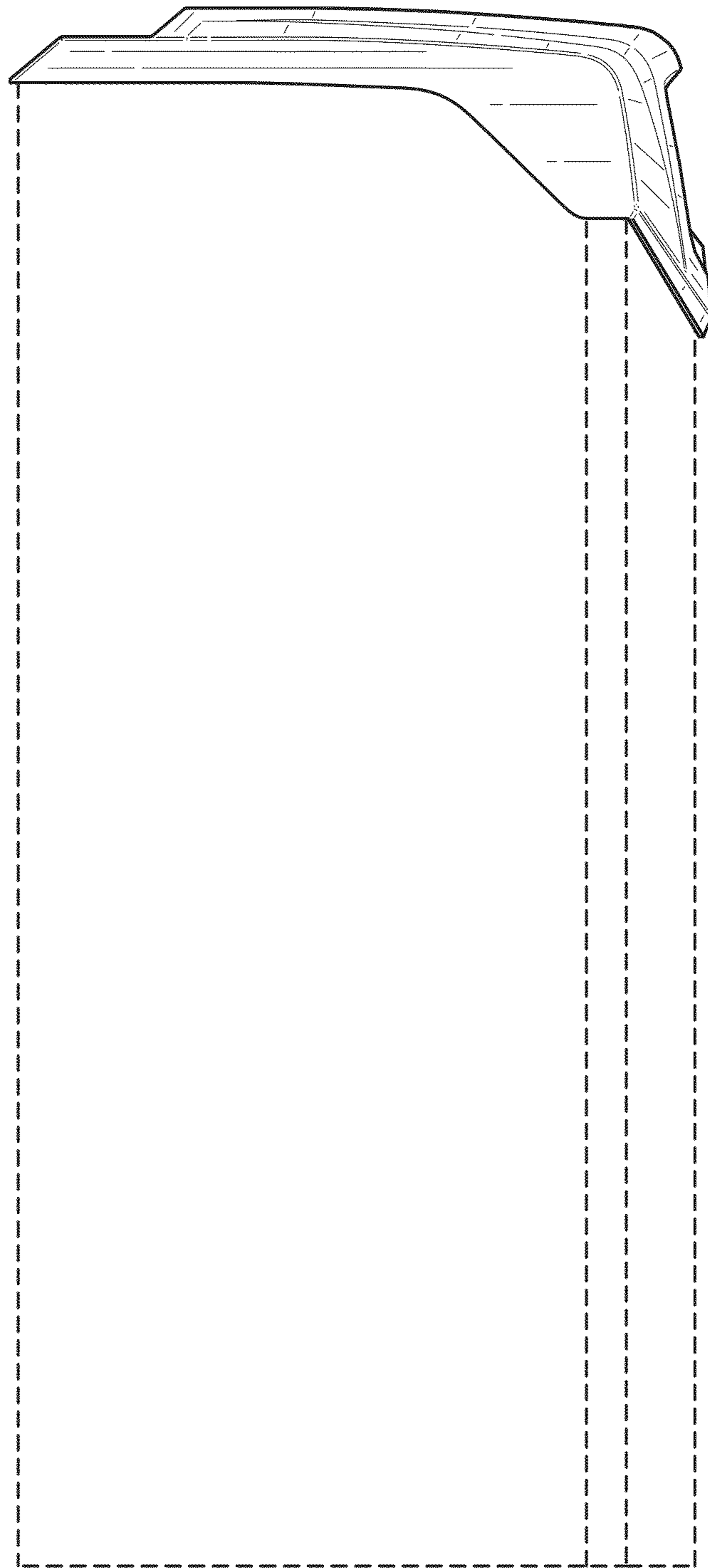




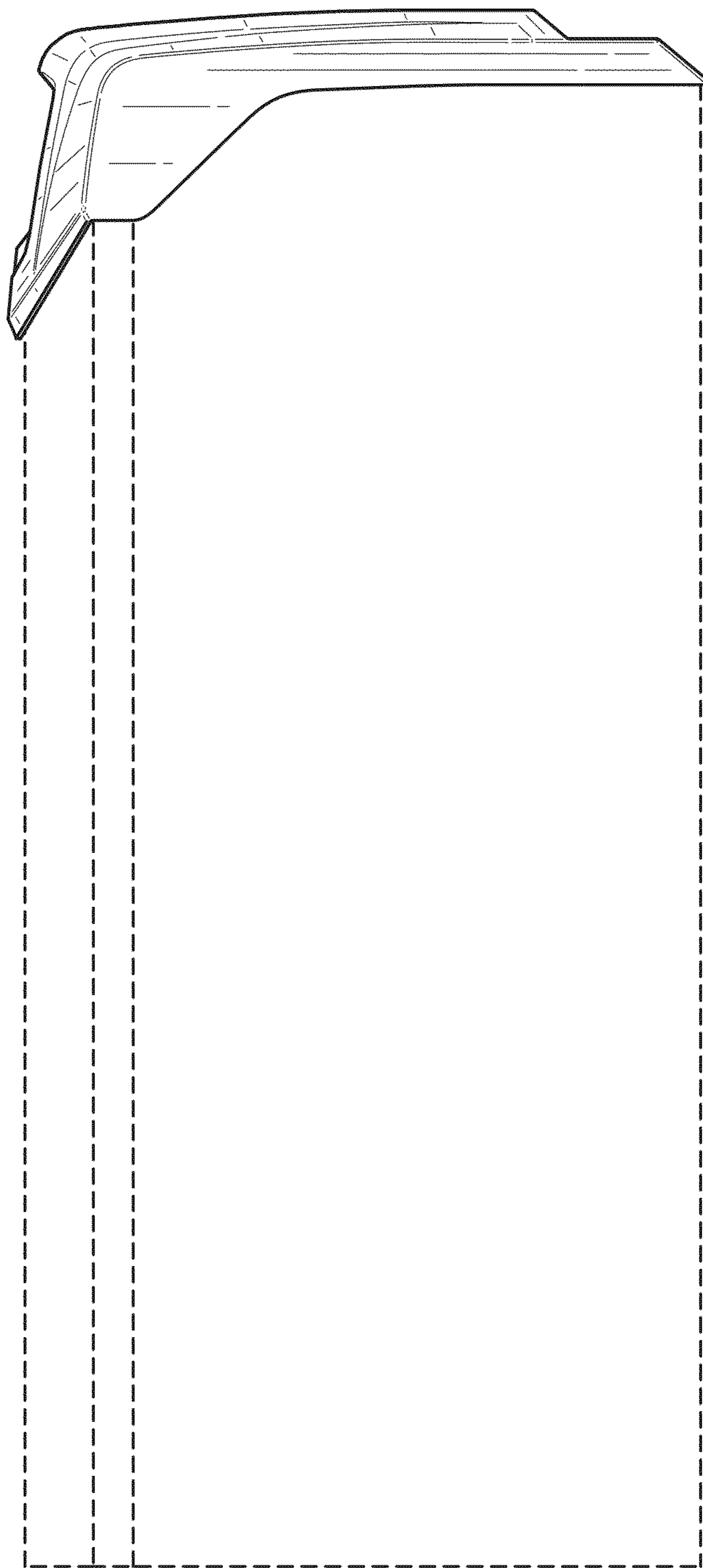
*FIG. 1*



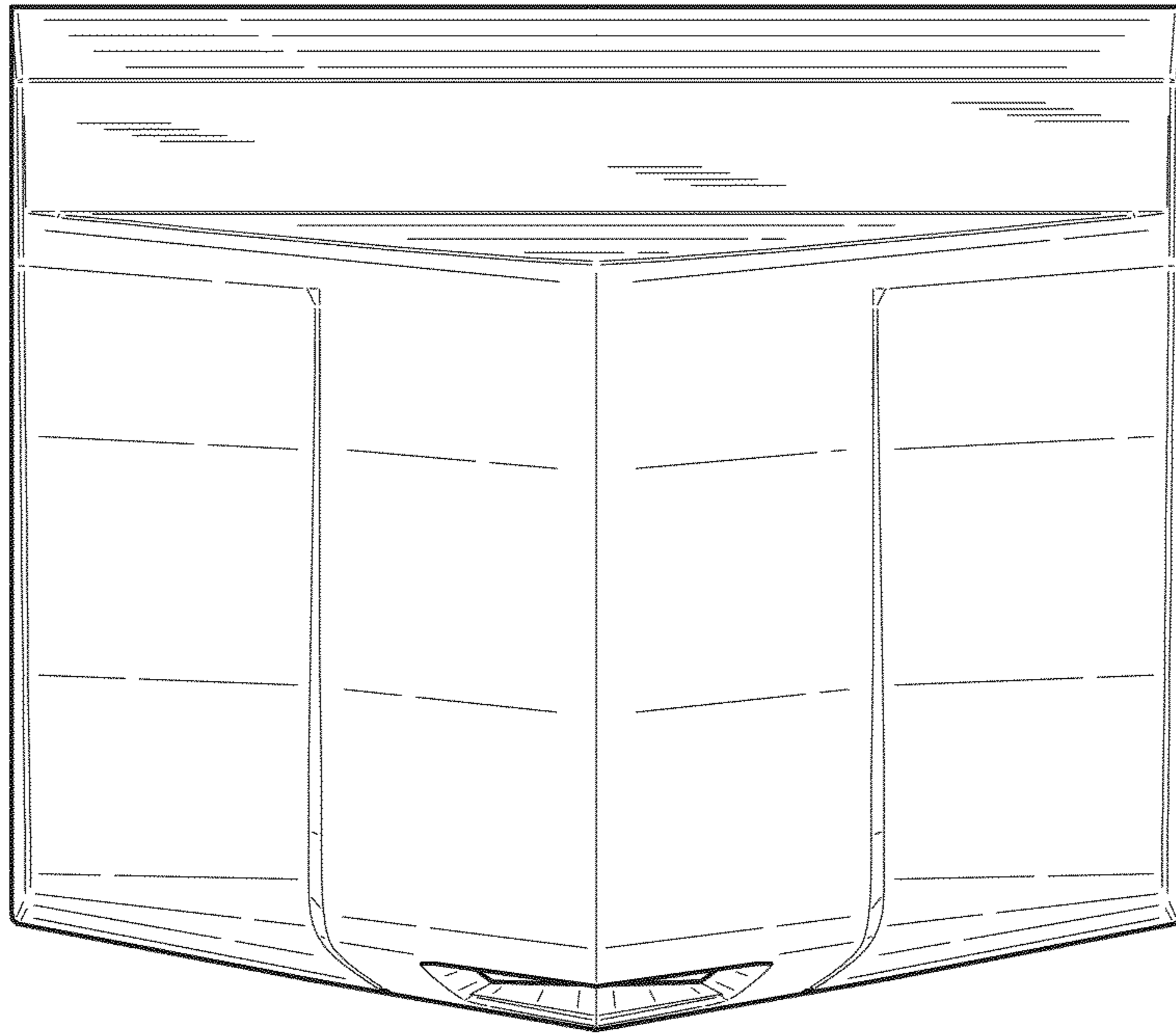
*FIG. 2*



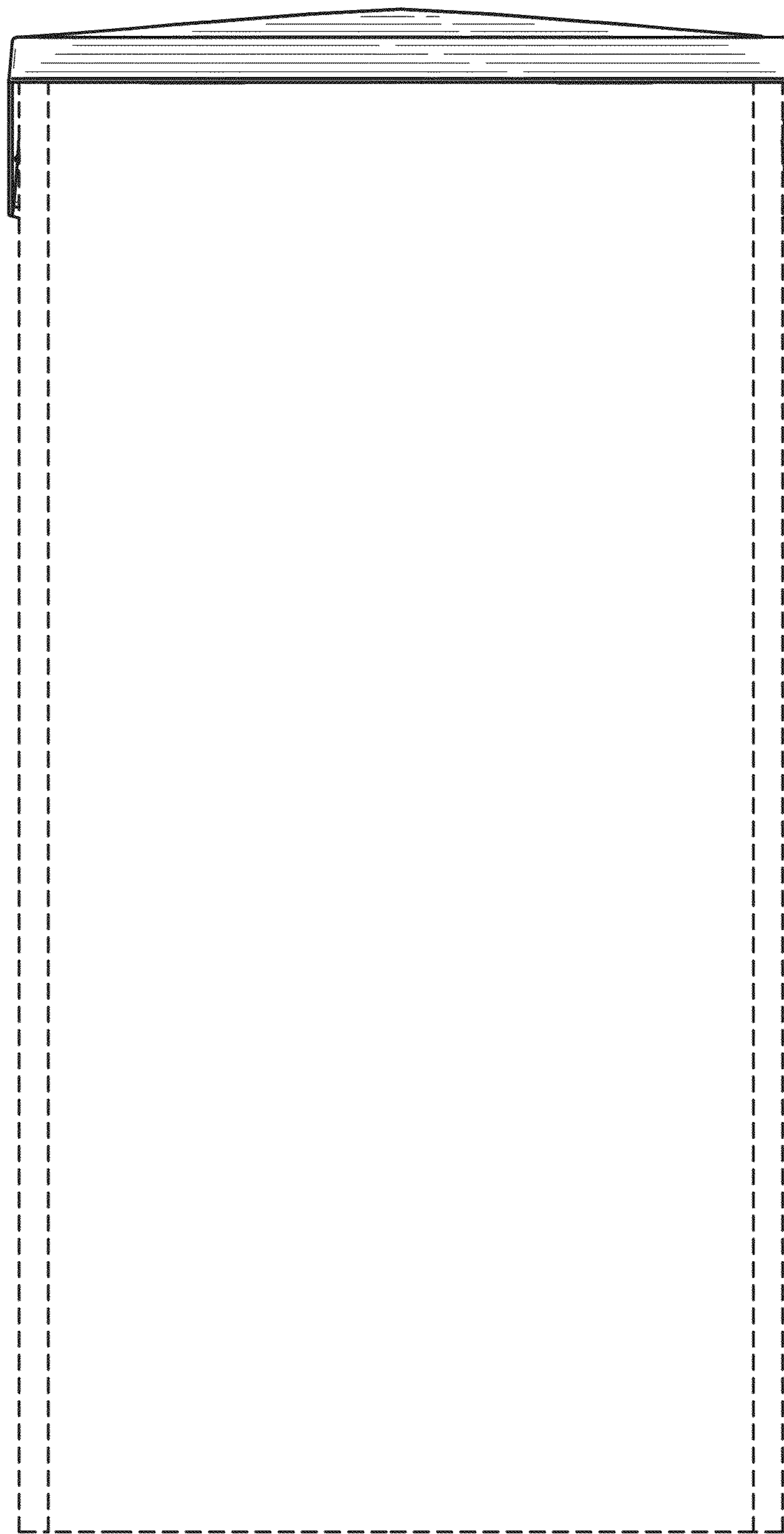
*FIG. 3*



*FIG. 4*



*FIG. 5*



*FIG. 6*