



US00D715904S

(12) **United States Design Patent**
Tate et al.

(10) **Patent No.:** **US D715,904 S**
(45) **Date of Patent:** **** Oct. 21, 2014**

- (54) **PADDLE FAN ADAPTER**
- (71) Applicant: **Paddle Fan Adapter, LLC**, Columbus, OH (US)
- (72) Inventors: **Michael Tate**, Columbus, OH (US); **Lee Biles**, Zanesville, OH (US)
- (73) Assignee: **Paddle Fan Adapter, LLC**, Columbus, OH (US)
- (**) Term: **14 Years**
- (21) Appl. No.: **29/465,075**
- (22) Filed: **Aug. 23, 2013**
- (51) **LOC (10) Cl.** **23-04**
- (52) **U.S. Cl.**
USPC **D23/314**; D23/387
- (58) **Field of Classification Search**
USPC D23/370–386, 387, 388–394, 411–414, D23/499; D26/51, 59, 72, 73, 80–86, 88, D26/90, 377; 362/96; 416/5, 170 R, 214 R, 416/184, 206, 207, 210 R, 220 R, 244 R; 417/423.1; 392/361–364; 415/215.1
See application file for complete search history.

3,223,828 A 12/1965 Mast
 3,599,699 A * 8/1971 Middleton, Jr. 157/1.21
 3,599,700 A * 8/1971 Cutillo et al. 157/1.21

(Continued)

FOREIGN PATENT DOCUMENTS

WO WO 2007084980 A2 * 7/2007

OTHER PUBLICATIONS

Paddle Fan Adapter (New Invention Could Mean Big Things). whiznews.com [online] p. 1 of 2. Posted Mar. 8, 2010 [retrieved on Aug. 19, 2014]. Retrieved from Internet: <<http://www.whiznews.com/content/news/local/2010/03/08/new-invention-could-mean-big-things>>.*

(Continued)

Primary Examiner — Susan Bennett Hattan
Assistant Examiner — Marie Fast Horse
 (74) *Attorney, Agent, or Firm* — Standley Law Group LLP

(57) **CLAIM**

The ornamental design for a paddle fan adapter, as shown and described.

DESCRIPTION

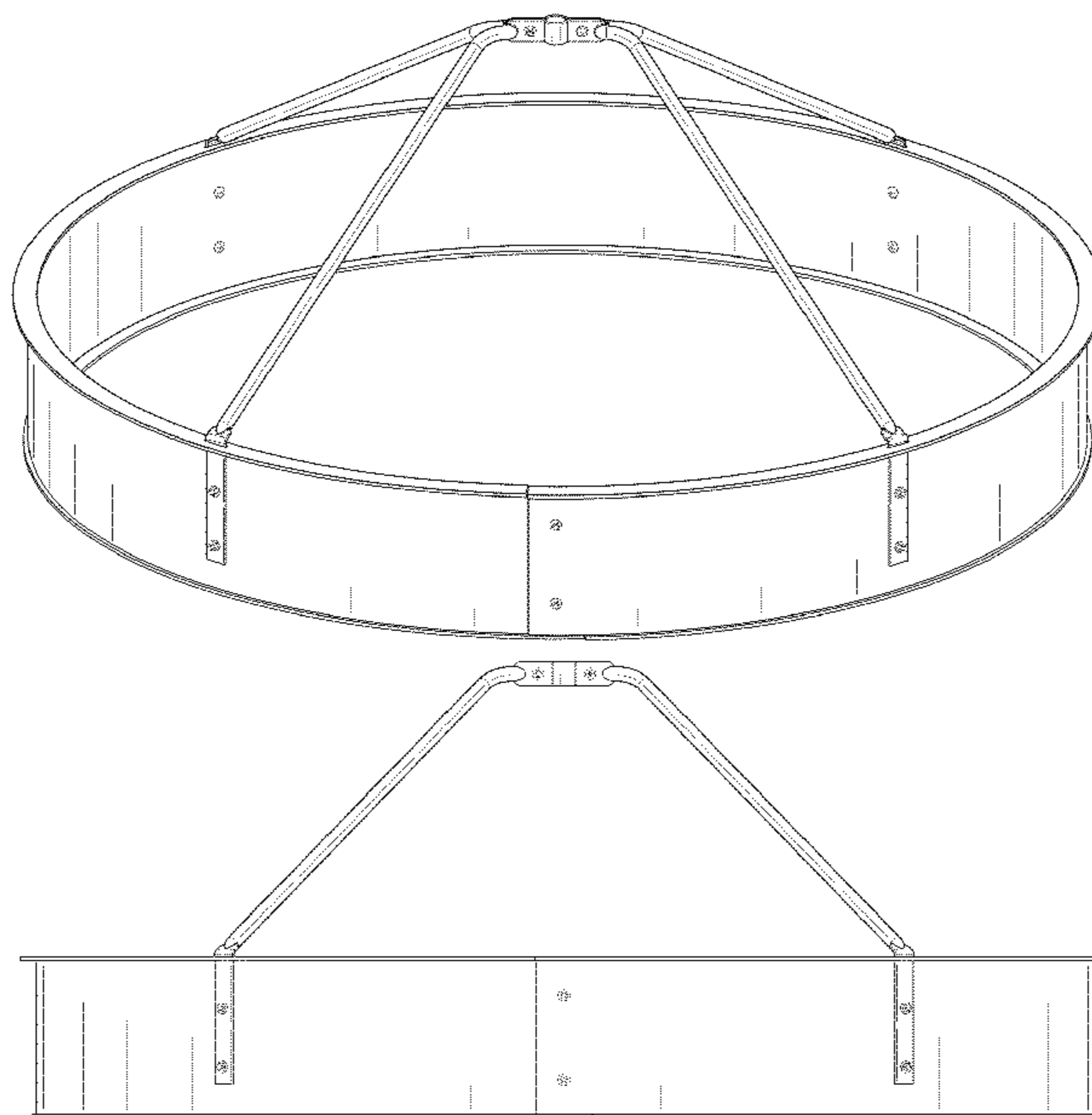
FIG. 1 is a top perspective view of a paddle fan adapter showing our new design;
 FIG. 2 is a bottom perspective view of the FIG. 1 device;
 FIG. 3 is a top plan view of the FIG. 1 device,
 FIG. 4 is a bottom plan view of the FIG. 1 device;
 FIG. 5 is a right side elevation view of the FIG. 1 device;
 FIG. 6 is a left side elevation view of the FIG. 1 device;
 FIG. 7 is a front perspective view of the FIG. 1 device; and,
 FIG. 8 is a rear elevation view of the FIG. 1 device.
 The broken lines in the drawings depict environmental subject matter only and form no part of the claimed design.

1 Claim, 5 Drawing Sheets

(56) **References Cited**

U.S. PATENT DOCUMENTS

D45,313 S * 2/1914 Schoenhardt D26/88
 1,090,795 A * 3/1914 Schoenhardt 362/355
 1,639,432 A * 8/1927 Hoobler 439/9
 D112,842 S * 1/1939 Manning D26/86
 2,221,703 A 11/1940 Falco
 2,861,121 A * 11/1958 Wolar 174/61
 D187,699 S * 4/1960 van Rijn D23/379



(56)

References Cited

U.S. PATENT DOCUMENTS

D233,468 S * 10/1974 Shemitz D26/75
 4,064,427 A 12/1977 Hansen et al.
 4,344,115 A * 8/1982 Pickens et al. 362/216
 4,515,538 A 5/1985 Shih
 4,657,485 A 4/1987 Hartwig
 4,730,551 A 3/1988 Peludat
 4,750,863 A * 6/1988 Scoggins 416/146 R
 5,094,676 A 3/1992 Karbacher
 5,441,387 A * 8/1995 Yu 416/5
 6,168,517 B1 1/2001 Cook
 6,193,384 B1 2/2001 Stein
 D441,483 S * 5/2001 Schaefer et al. D26/85
 D453,960 S * 2/2002 Shelby et al. D23/411
 6,551,185 B1 4/2003 Miyake
 D481,159 S * 10/2003 Walker D26/138
 D484,587 S 12/2003 Bucher et al.
 6,955,596 B1 * 10/2005 Walker et al. 454/230
 6,974,381 B1 12/2005 Walker et al.
 D558,912 S * 1/2008 Crosby D26/88
 D595,835 S * 7/2009 Fu D23/411
 D599,457 S * 9/2009 Spaggiari D23/370
 D599,471 S * 9/2009 Borovicka et al. D23/412

D605,332 S * 12/2009 Miranda D26/88
 D605,333 S * 12/2009 Miranda D26/88
 D620,096 S * 7/2010 Underwood D23/379
 D625,404 S * 10/2010 Yu D23/386
 D671,676 S * 11/2012 Komarov et al. D26/124
 D684,307 S * 6/2013 Teller D26/118
 D698,983 S * 2/2014 Rampolla et al. D26/90
 D710,490 S * 8/2014 Shurtleff D23/411
 2010/0027280 A1 * 2/2010 Chiu 362/433
 2010/0143112 A1 * 6/2010 Anchors 415/213.1
 2012/0219414 A1 * 8/2012 Kampf 415/213.1
 2012/0261925 A1 * 10/2012 Merlini et al. 290/55
 2013/0175804 A1 * 7/2013 Cironi et al. 290/55
 2013/0195655 A1 * 8/2013 Kerner et al. 416/1
 2014/0030059 A1 * 1/2014 Presz et al. 415/1

OTHER PUBLICATIONS

Free Energy—Paddle Fan Adapter (New invention saves energy by temp redistribution). Keelynet.com [online] p. 70 of 92. Posted Mar. 9, 2010 [retrieved on Aug. 20, 2014]. Retrieved from Internet: <<http://www.keelynet.com/indexmar310.htm>>.*
 Photo of previous Fan Adapter from at least as early as 2011; received May 28, 2013.

* cited by examiner

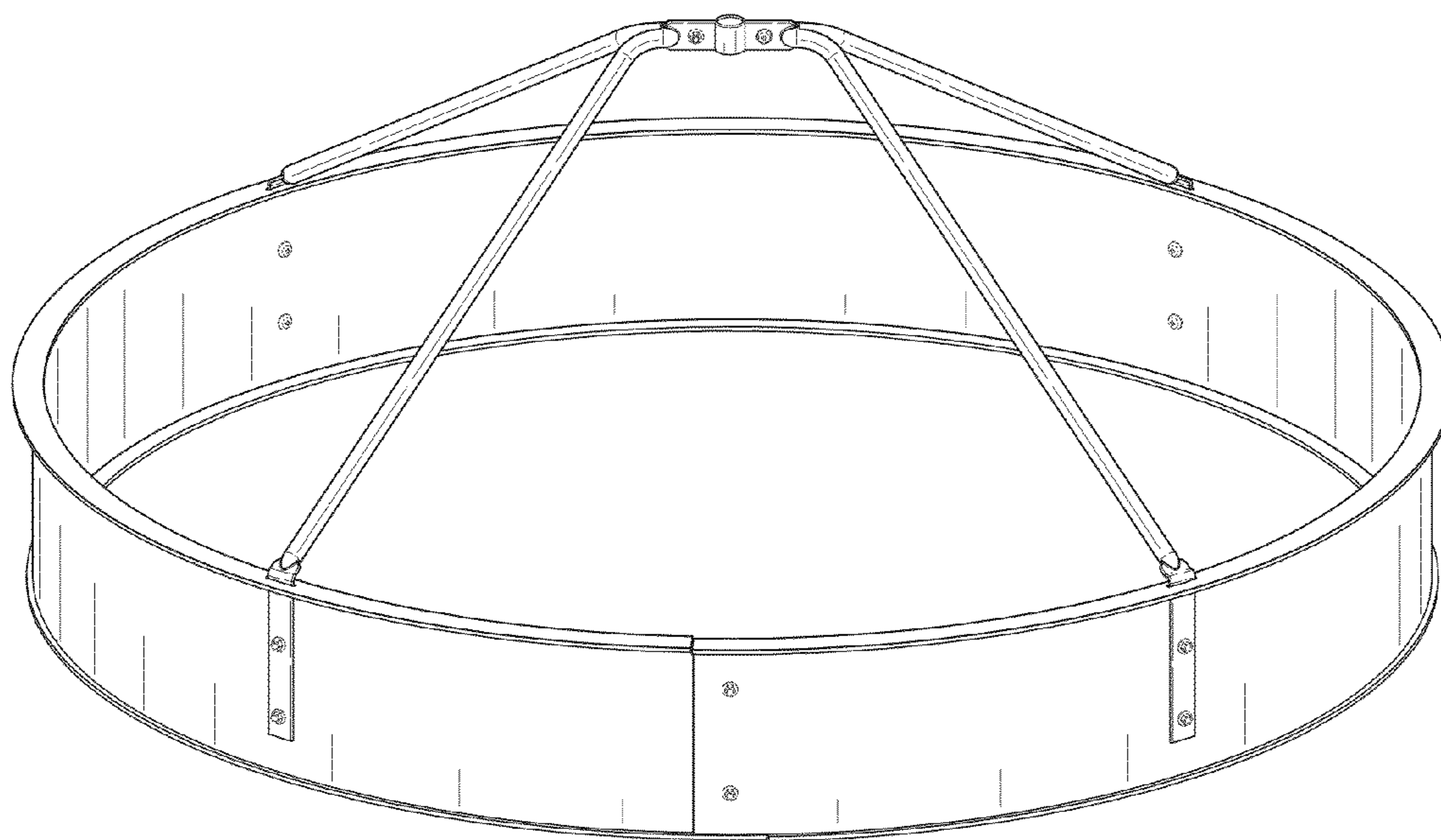


FIG-1

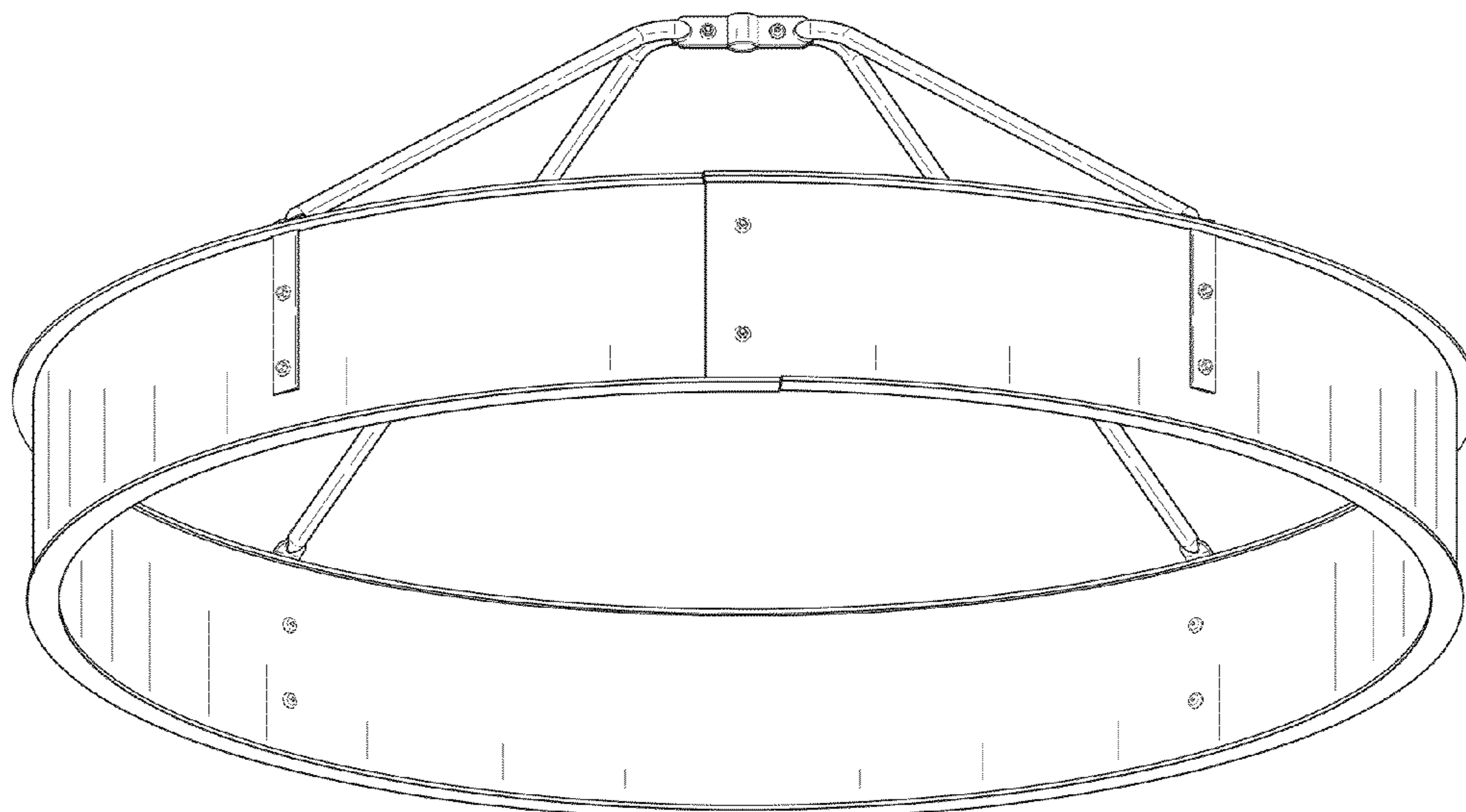


FIG-2

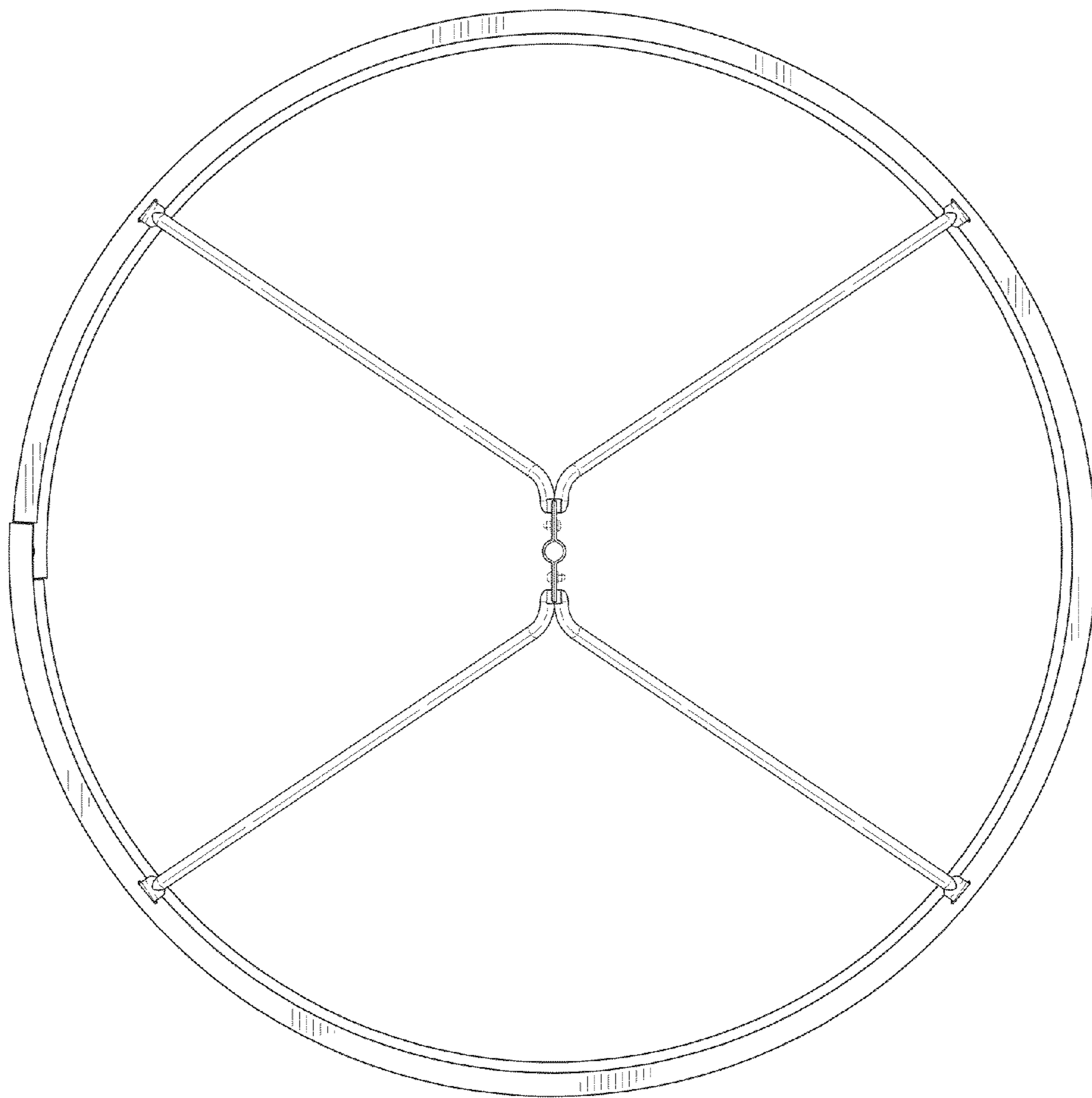


FIG-3

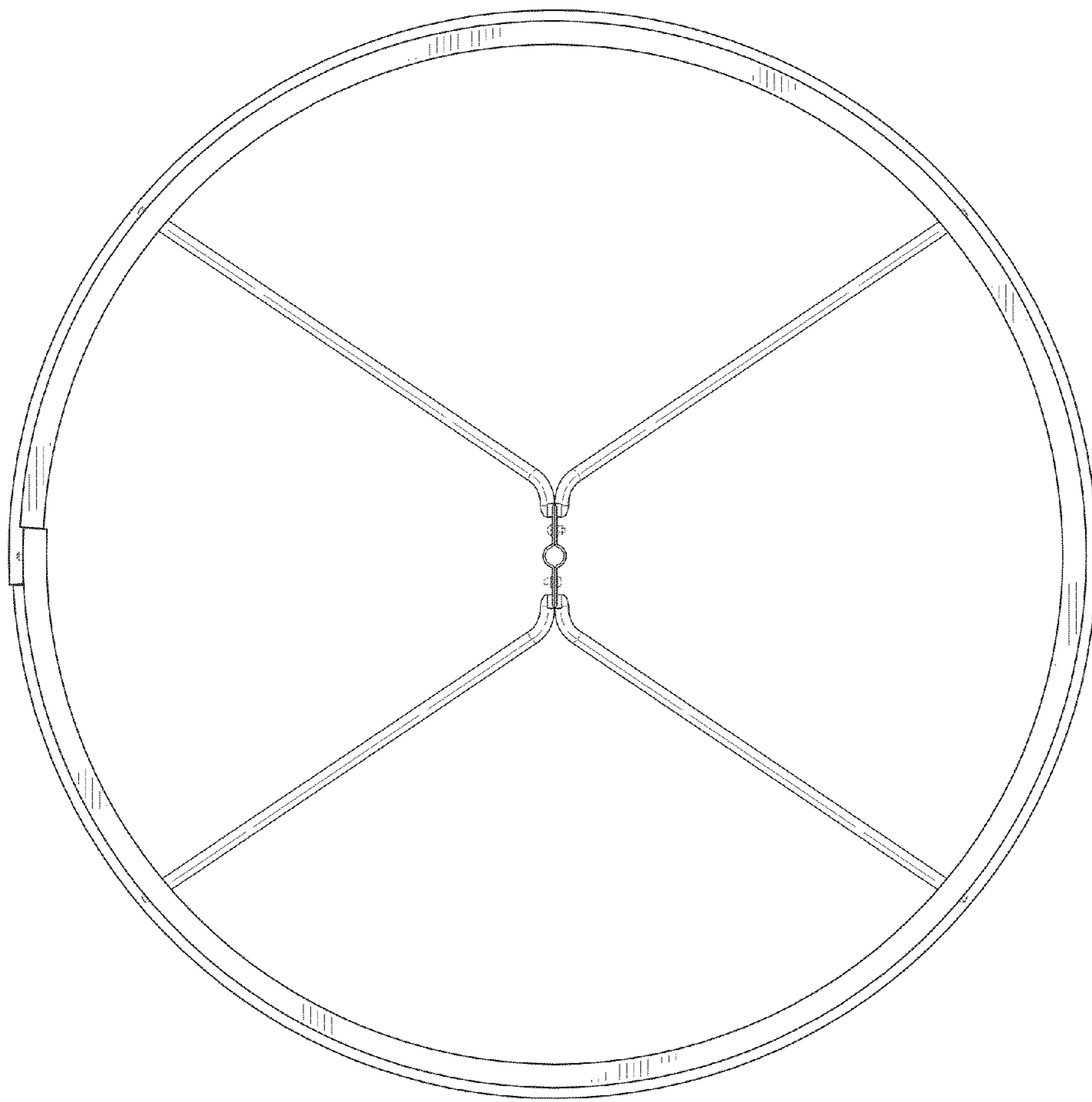


FIG-4

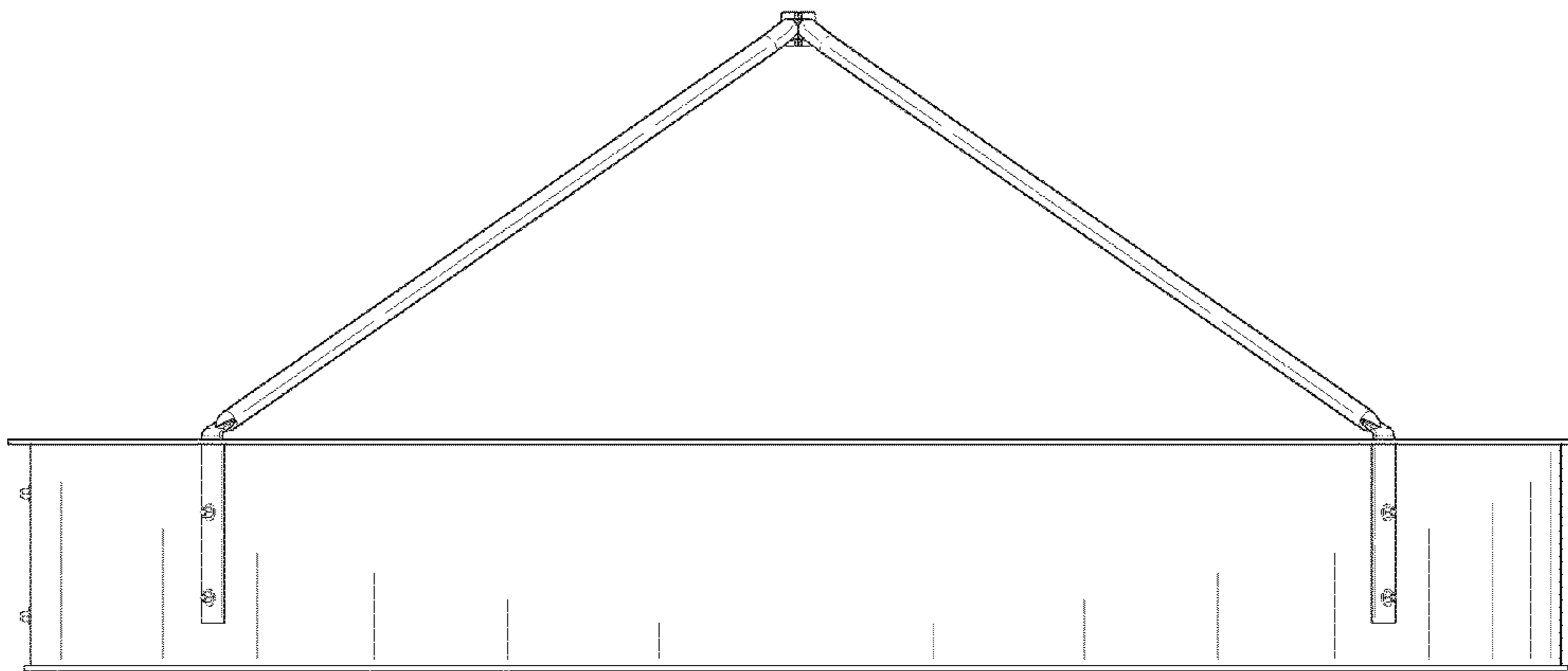


FIG-5

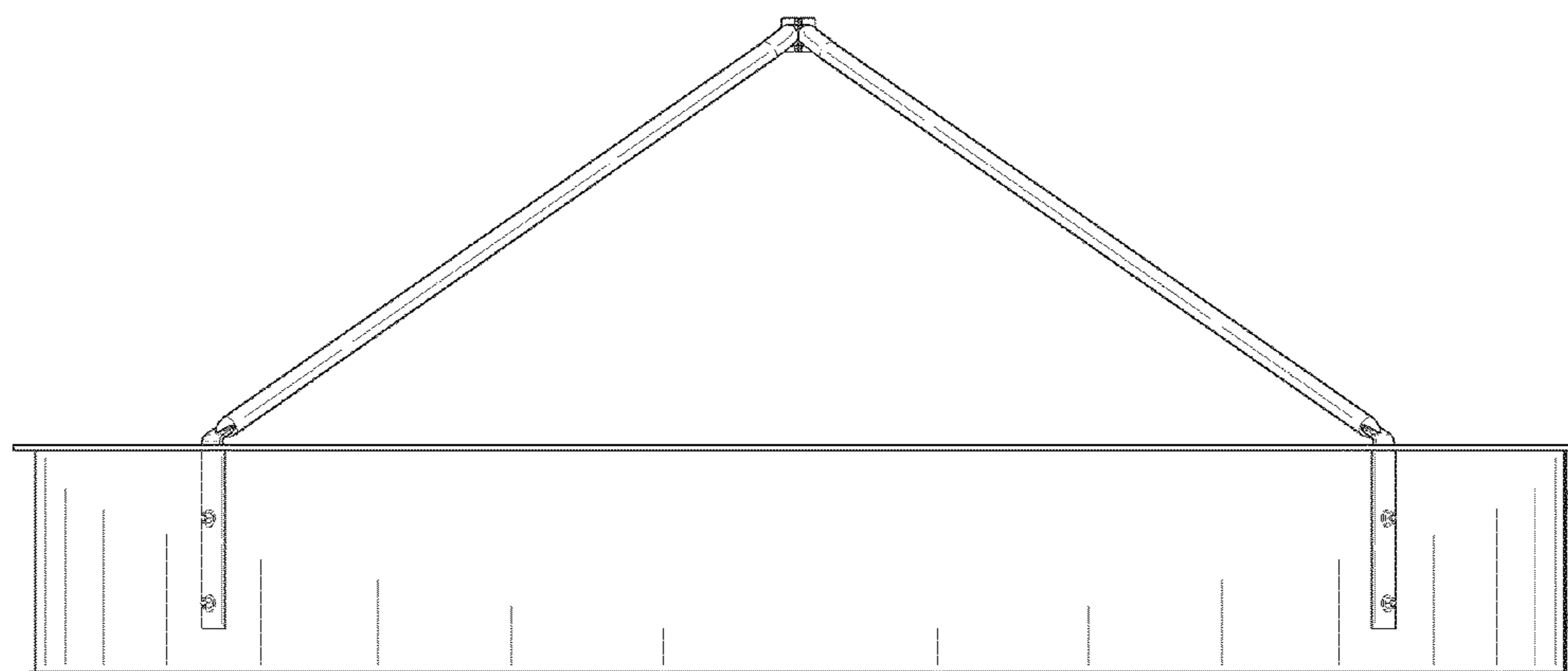


FIG-6

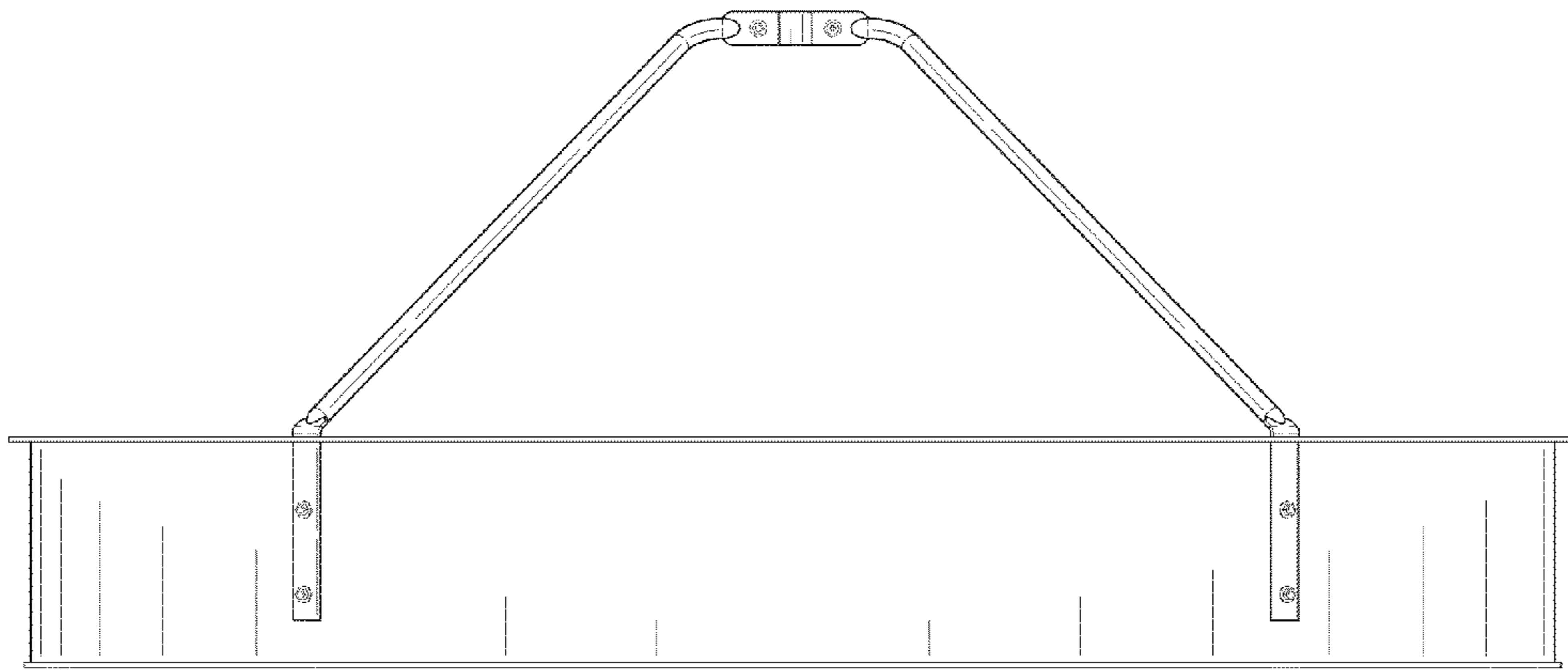


FIG-7

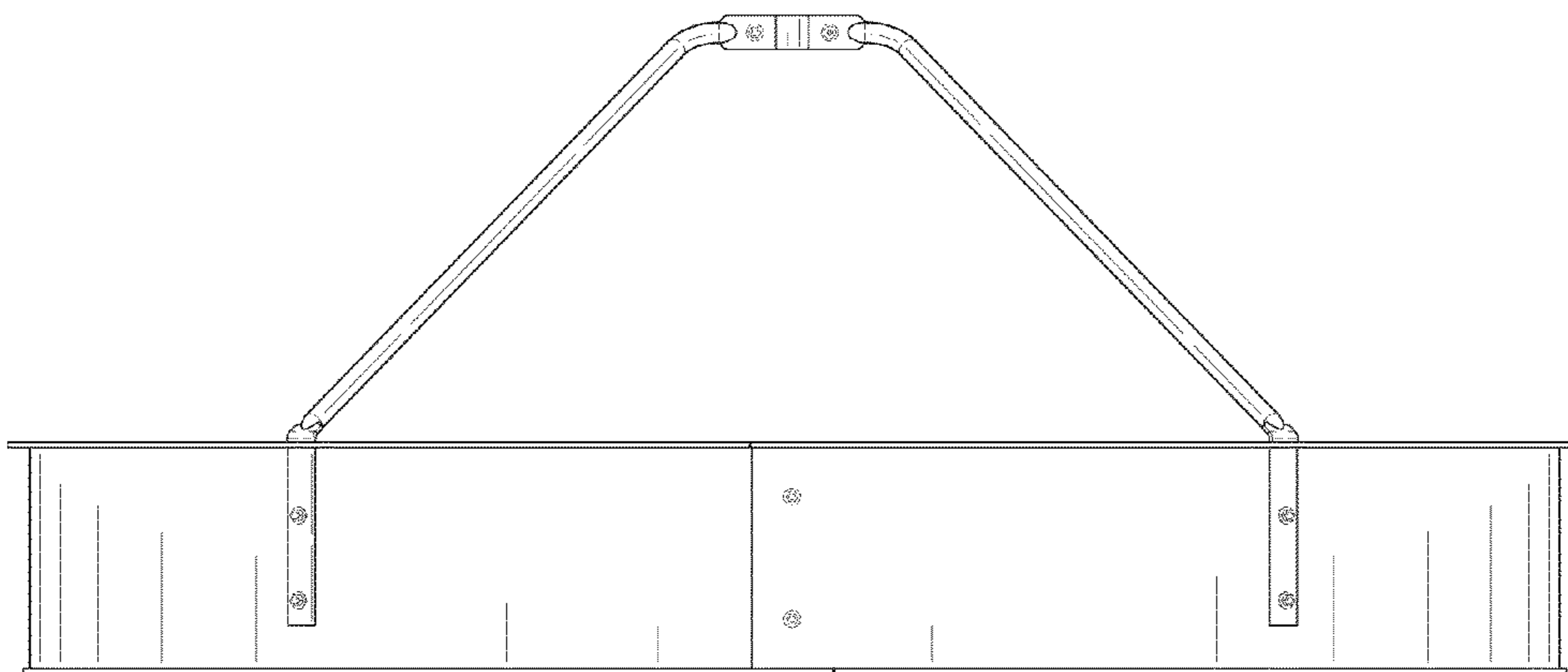


FIG-8