



US00D715903S

(12) **United States Design Patent**
Macey

(10) **Patent No.:** **US D715,903 S**

(45) **Date of Patent:** **** Oct. 21, 2014**

(54) **SINK**

(71) Applicant: **Franke Technology and Trademark Ltd., Hergiswil (CH)**

(72) Inventor: **Cory Macey, Midland (CA)**

(73) Assignee: **Franke Technology and Trademark Ltd., Hergiswil (CH)**

(**) Term: **14 Years**

(21) Appl. No.: **29/492,049**

(22) Filed: **May 28, 2014**

Related U.S. Application Data

(62) Division of application No. 29/483,458, filed on Feb. 28, 2014, and a division of application No. 29/449,544, filed on Mar. 15, 2013, now Pat. No. Des. 708,305.

(51) **LOC (10) Cl.** **23-02**

(52) **U.S. Cl.**
USPC **D23/284**

(58) **Field of Classification Search**
USPC D23/272-274, 284, 286, 292-293.1, D23/303, 308; 4/619; D24/183, 185, 234
See application file for complete search history.

(56) **References Cited**

U.S. PATENT DOCUMENTS

D119,298 S *	3/1940	Bales	D23/291
D119,299 S *	3/1940	Bales	D23/291
D244,030 S *	4/1977	Tongish	D23/284
D246,315 S *	11/1977	Tongish	D23/271
D255,923 S *	7/1980	Rosenkranz	D23/284
D321,931 S *	11/1991	Dierkes	D23/293.1

* cited by examiner

Primary Examiner — Robert Delehanty

(74) *Attorney, Agent, or Firm* — Marks & Clerk; Jean-Charles Grégoire

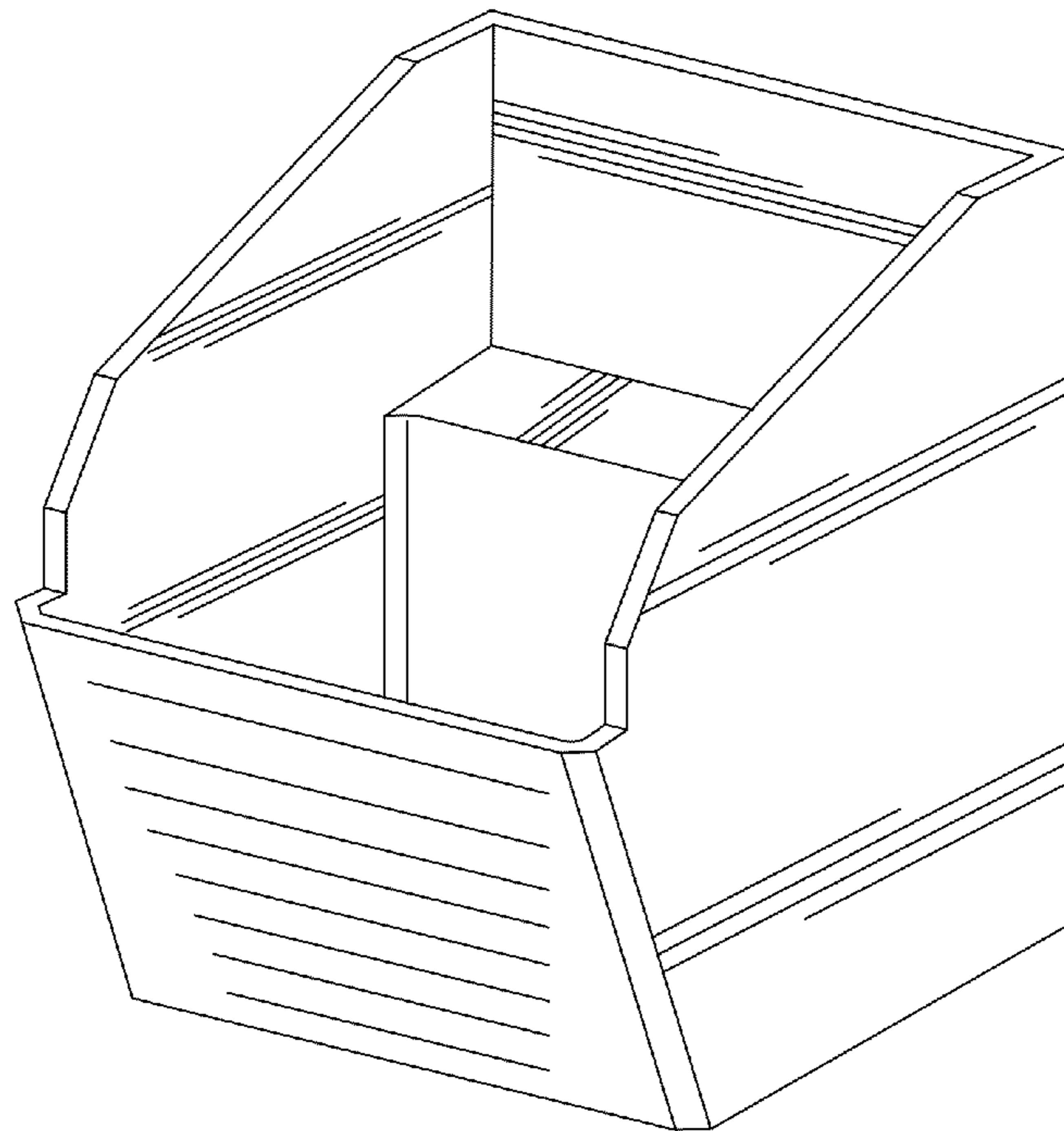
(57) **CLAIM**

The ornamental design for a sink, as shown and described.

DESCRIPTION

FIG. 1 is a front perspective view of a sink according to a first embodiment;
FIG. 2 is a front view thereof;
FIG. 3 is a rear view thereof;
FIG. 4 is a left-side view thereof;
FIG. 5 is a right-side view thereof;
FIG. 6 is a top view thereof;
FIG. 7 is a bottom view thereof;
FIG. 8 is a cross-sectional view along line 8-8 of FIG. 6;
FIG. 9 is a rear perspective view thereof; and,
FIG. 10 is a front view of a sink according to a second embodiment.

1 Claim, 7 Drawing Sheets



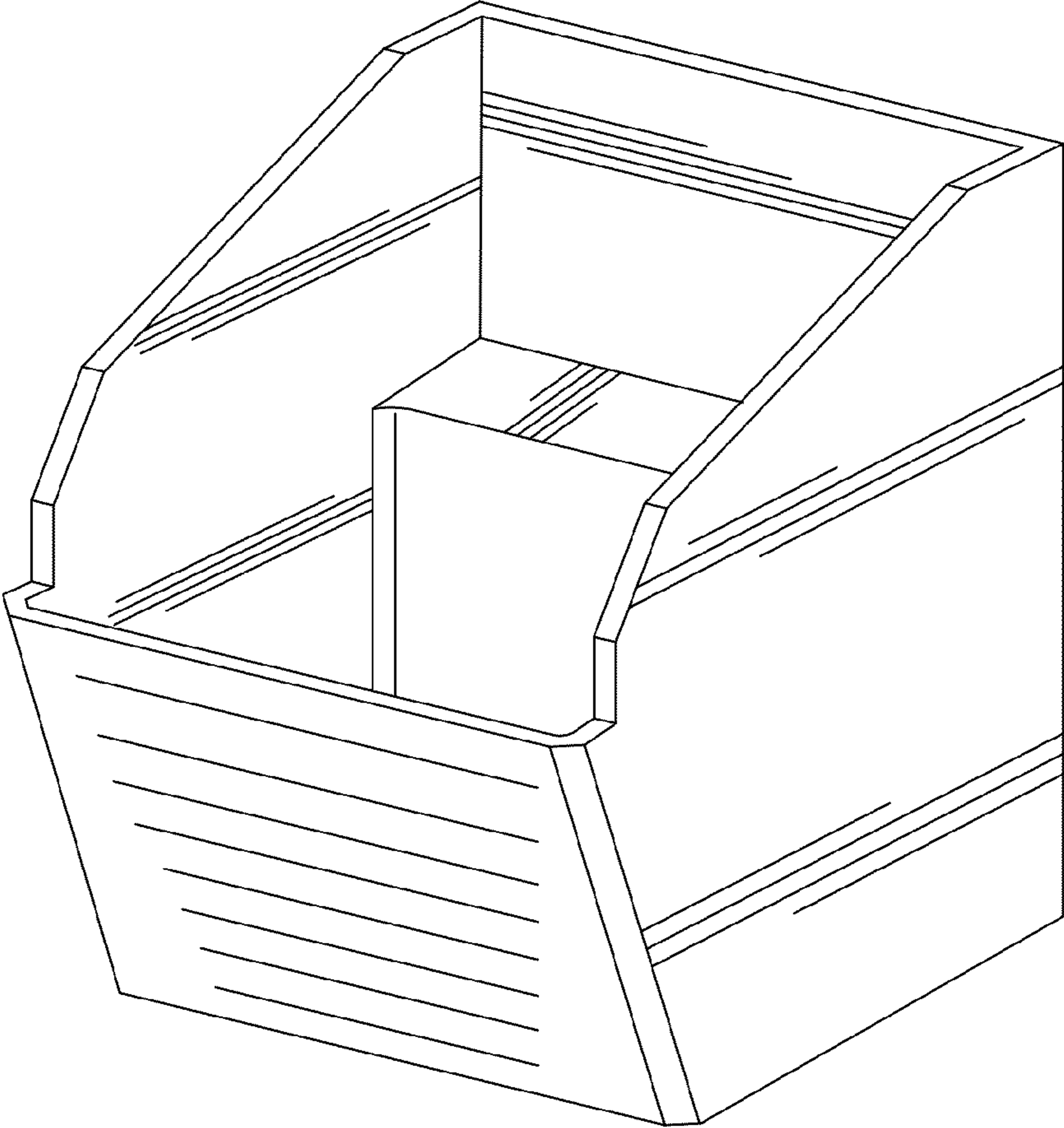


FIG. 1

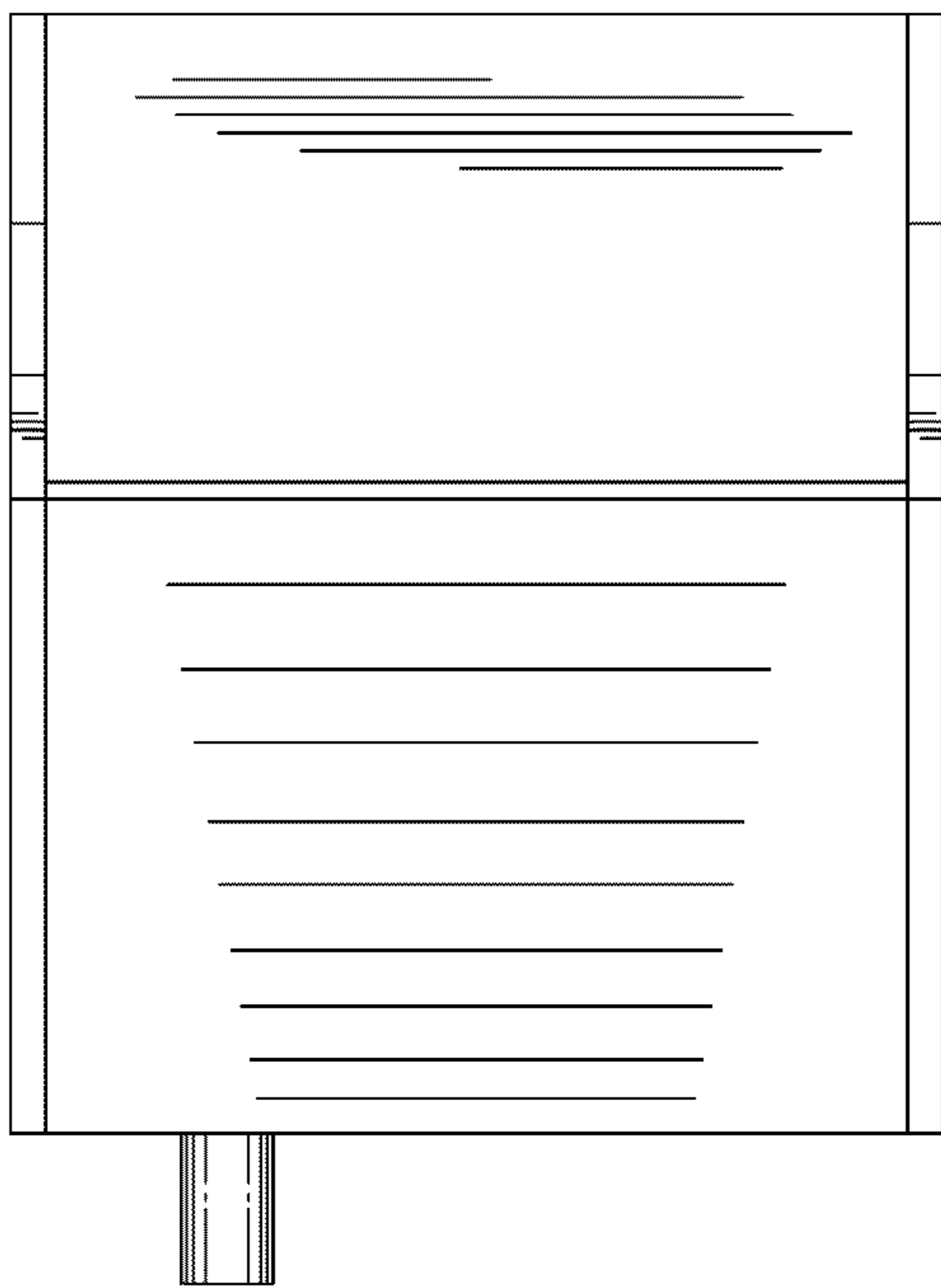


FIG. 2

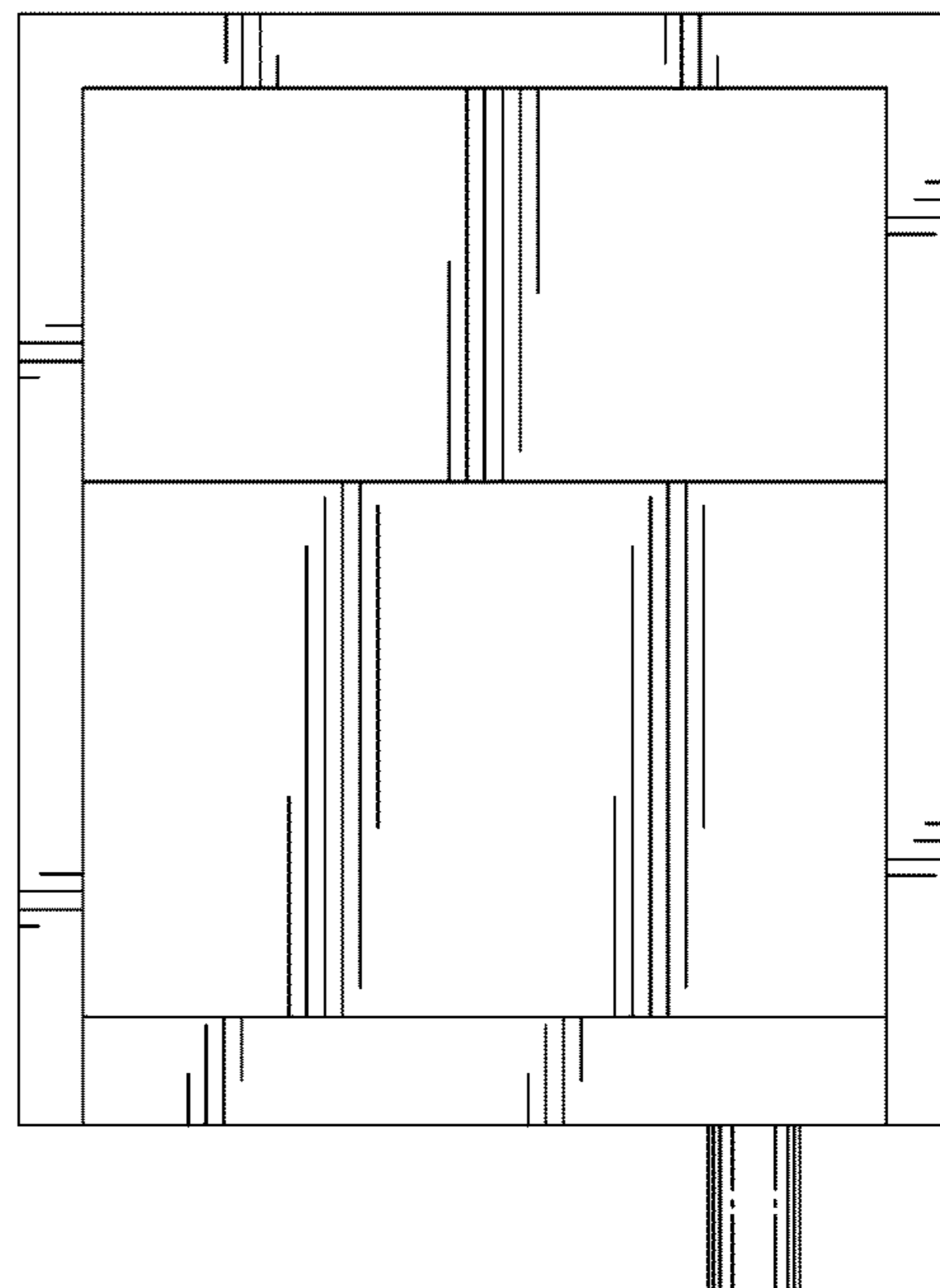


FIG. 3

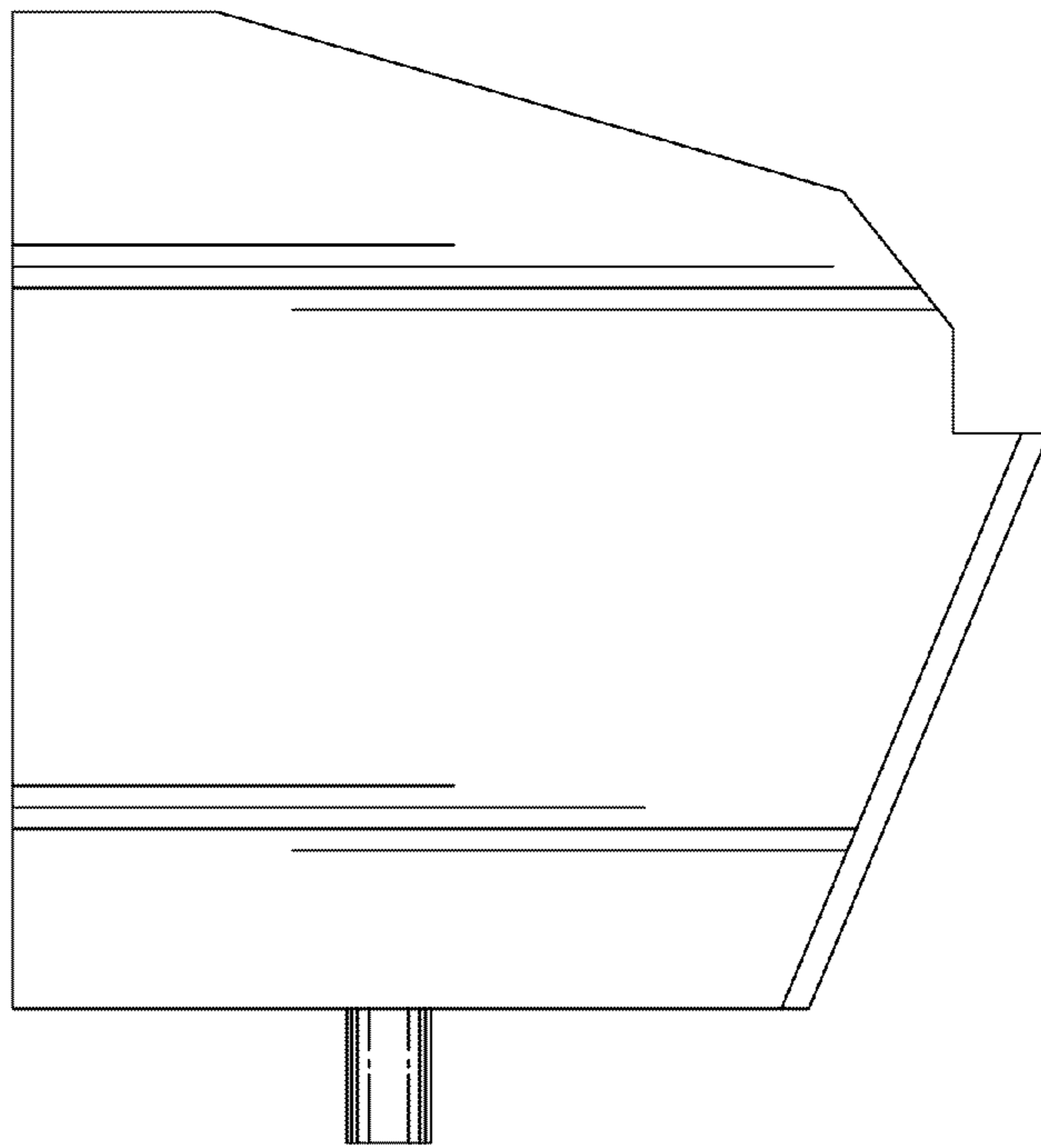


FIG. 4

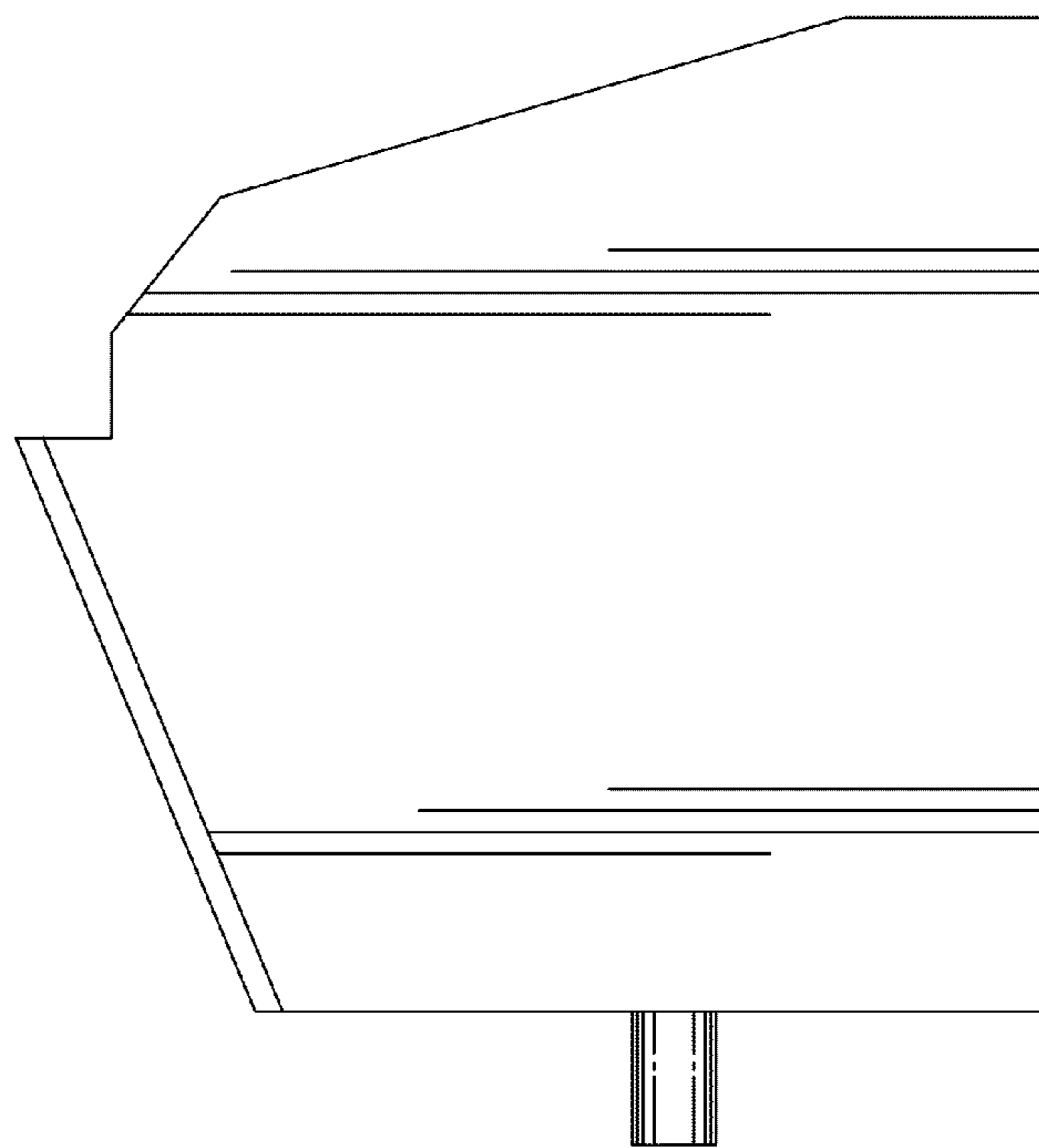


FIG. 5

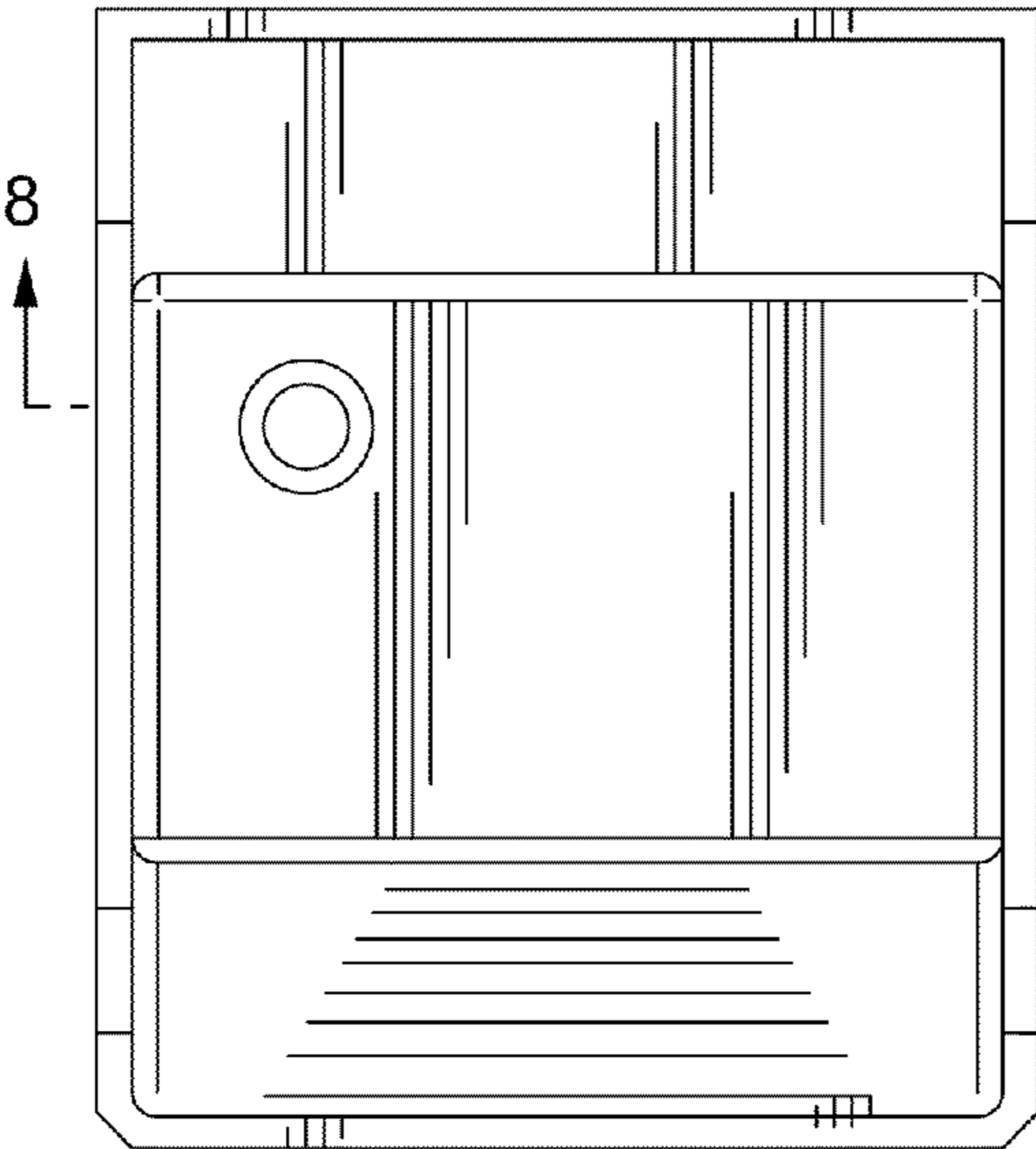


FIG. 6

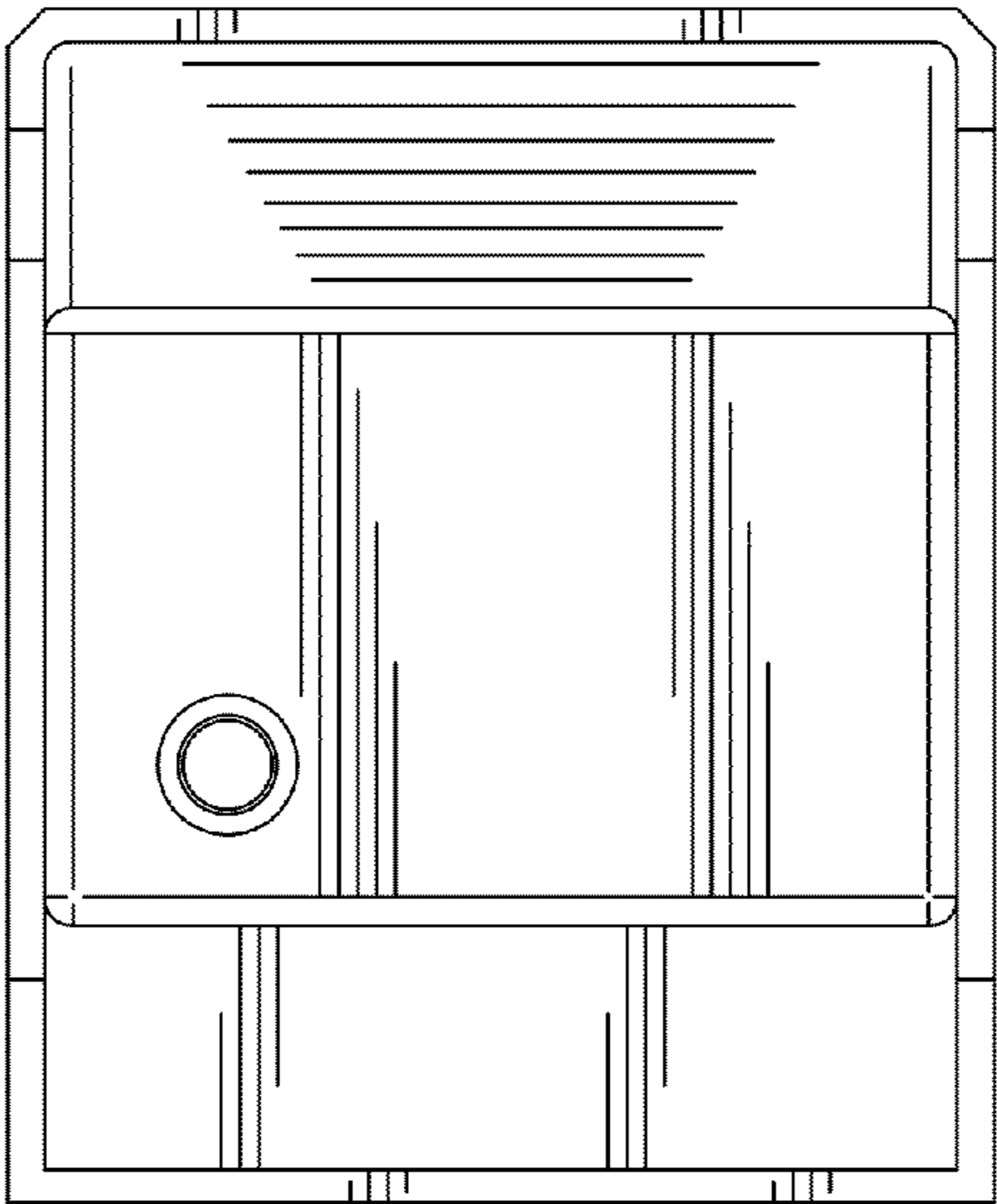


FIG. 7

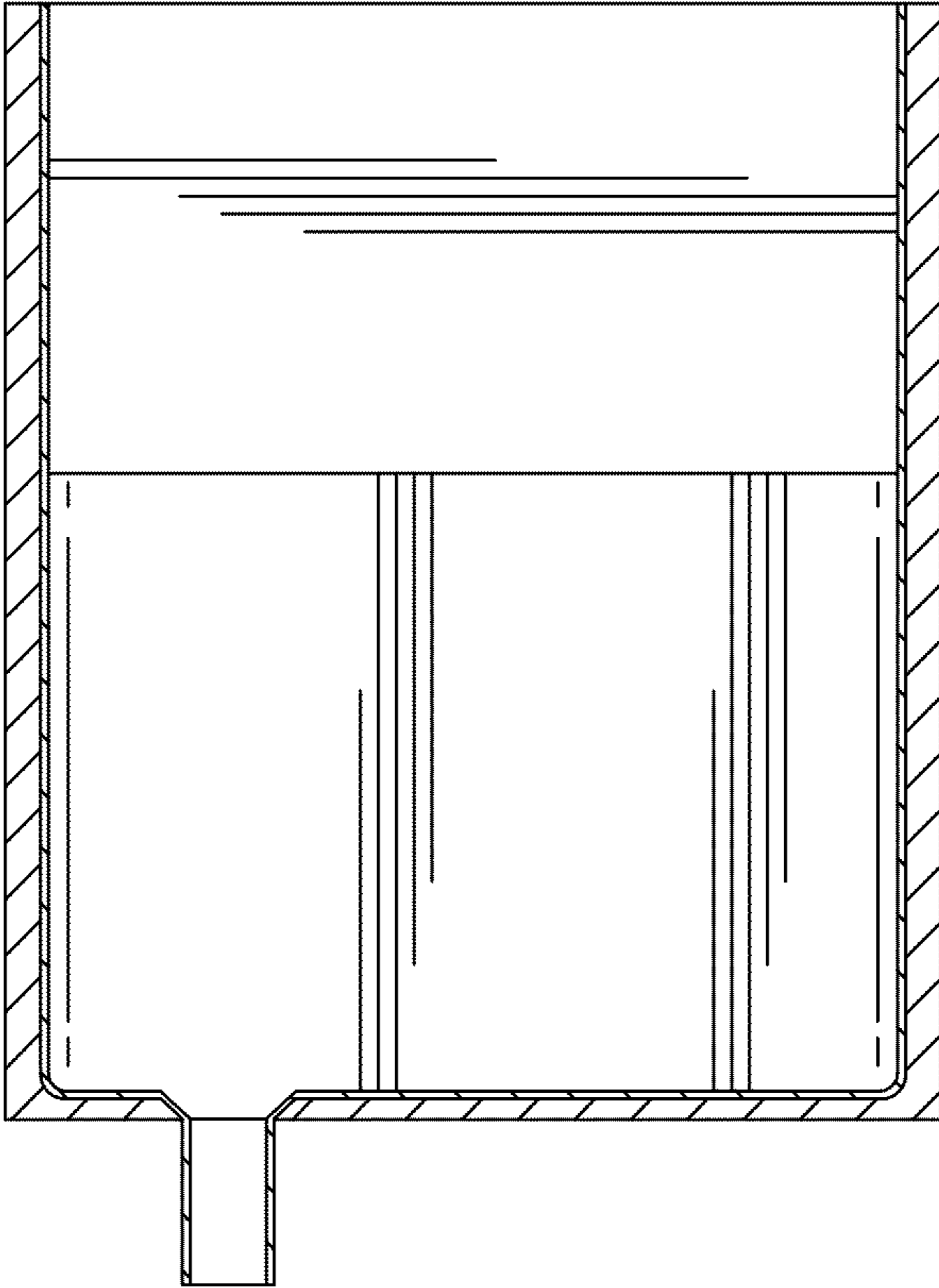


FIG. 8

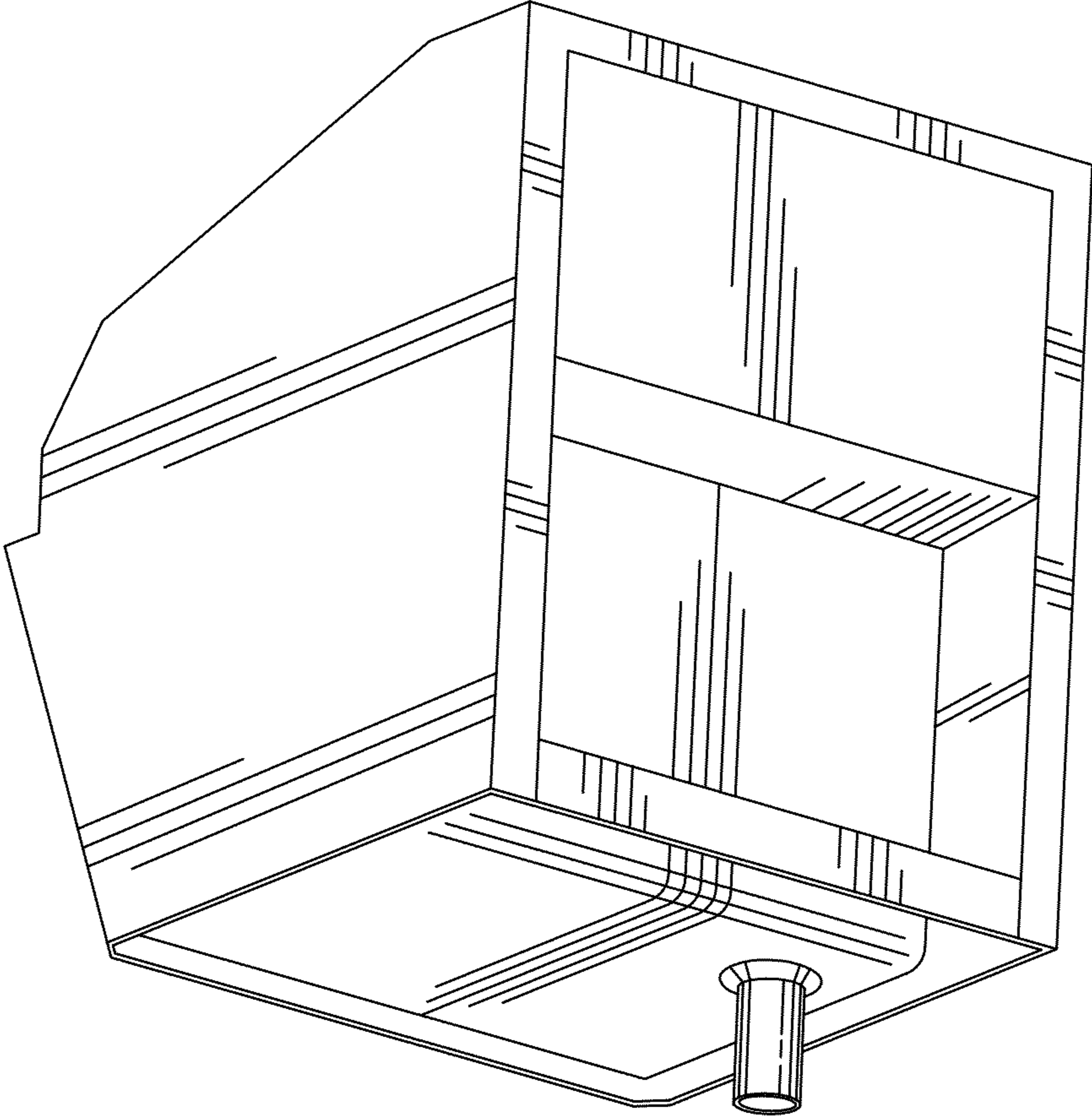


FIG. 9

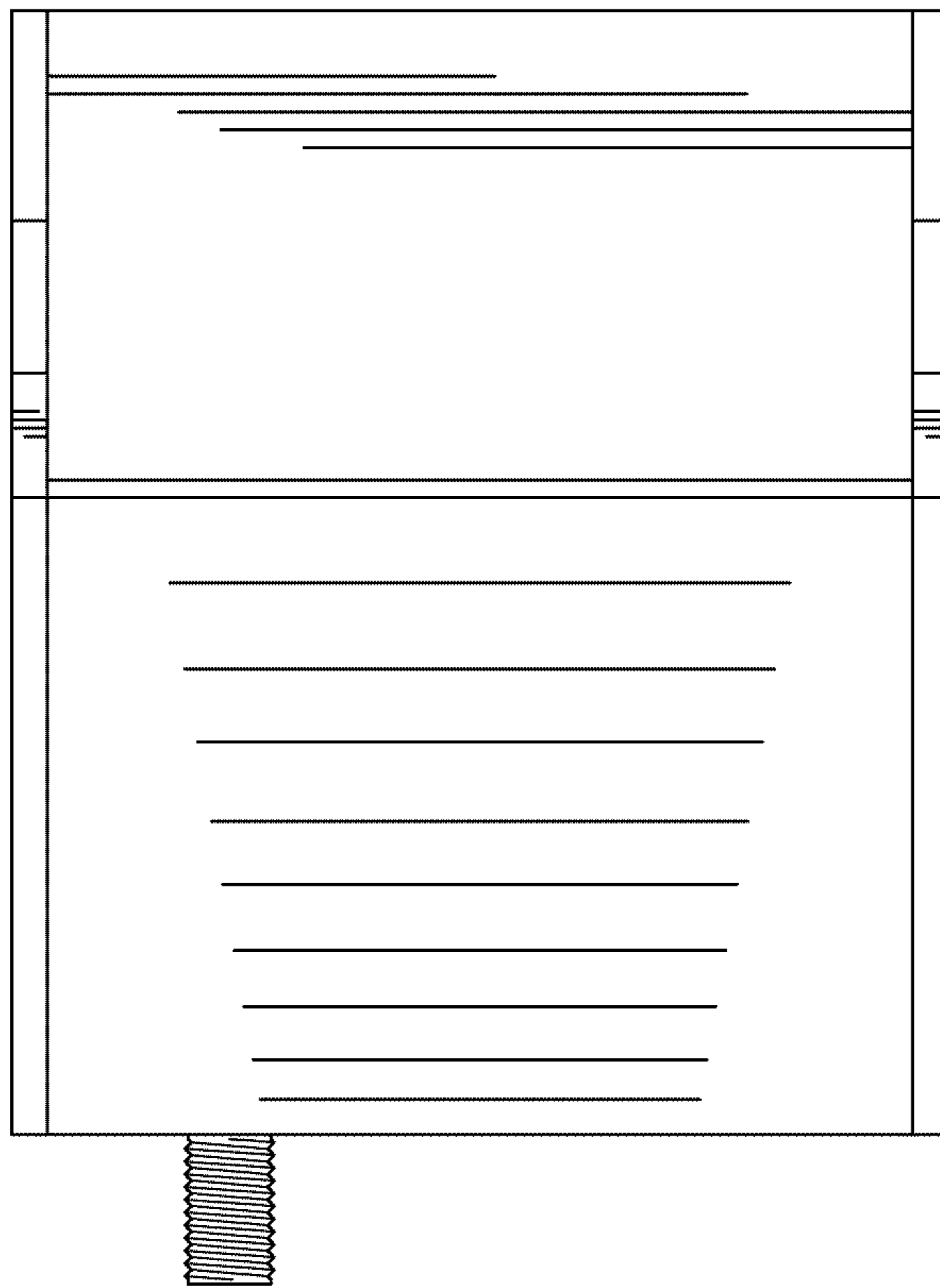


FIG. 10