



US00D715902S

(12) **United States Design Patent**
Malaker et al.

(10) **Patent No.:** **US D715,902 S**
(45) **Date of Patent:** **** Oct. 21, 2014**

- (54) **PLUMBING FASTENER**
- (75) Inventors: **Michael Malaker**, Gurnee, IL (US); **Xu Qilin**, Jiujiang (CN)
- (73) Assignee: **Homewerks Worldwide, LLC**,
Lincolnshire, IL (US)
- (**) Term: **14 Years**
- (21) Appl. No.: **29/429,624**
- (22) Filed: **Aug. 14, 2012**

2,727,551 A	12/1955	Rees	
D198,713 S	7/1964	Curtiss	
D200,088 S	1/1965	Earnshaw	
3,288,191 A *	11/1966	Thorborg	411/149
D217,540 S	5/1970	Weise	
D218,674 S	9/1970	Ernest	
D220,027 S *	3/1971	Myers	D8/397
D223,187 S	3/1972	Wing	
D224,303 S	7/1972	Bergkvist	
3,702,628 A	11/1972	Cosenza	
D233,138 S	10/1974	Vogel	
D233,652 S	11/1974	Wing	
D243,063 S	1/1977	Mooney	
4,019,550 A	4/1977	DeHaitre	
D244,908 S	7/1977	Hatter	

(Continued)

Related U.S. Application Data

- (63) Continuation-in-part of application No. 29/427,577,
filed on Jul. 19, 2012.
- (51) **LOC (10) Cl.** **23-01**
- (52) **U.S. Cl.**
USPC **D23/262**
- (58) **Field of Classification Search**
CPC F16L 23/00; F16L 27/00
USPC D23/259-269; D8/382, 387; D13/155;
D24/129; 285/58, 83; 138/109;
123/468
See application file for complete search history.

(56) **References Cited**

U.S. PATENT DOCUMENTS

239,827 A	4/1881	Newman	
D23,917 S	12/1894	Lane	
D25,709 S	6/1896	Pratt	
1,029,775 A	6/1912	Tobin	
D43,713 S	3/1913	Campbell	
D44,178 S	6/1913	McMurtrie	
1,330,594 A *	2/1920	Kraft	411/435
D57,407 S	3/1921	Walker	
D128,314 S	7/1941	Kelly	
D134,789 S	1/1943	Gade	
2,552,794 A	5/1951	Kimbell	

OTHER PUBLICATIONS

Watts, Specification Sheet, Series CTC-P Flexible Reinforced PVC
Water Supply Connectors for Toilets, 2005, 2 pp.

(Continued)

Primary Examiner — Eric Goodman
Assistant Examiner — John Reickel
(74) *Attorney, Agent, or Firm* — Banner & Witcoff, Ltd.

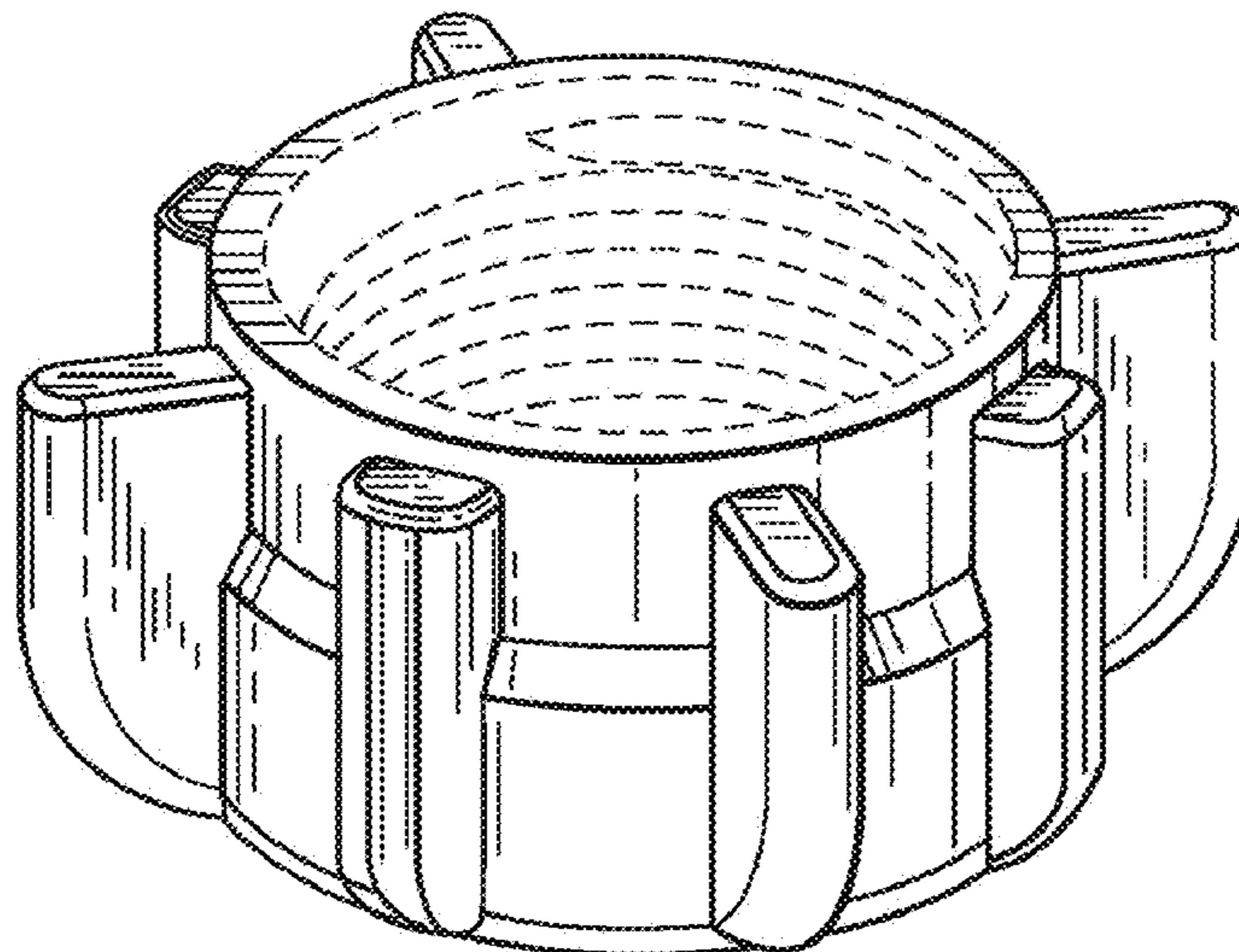
(57) **CLAIM**

We claim the ornamental design for a plumbing fastener, as
shown and described herein.

DESCRIPTION

FIG. 1 is a perspective view of a plumbing fastener in accor-
dance with our new design;
FIG. 2 is a side elevation view thereof;
FIG. 3 is a bottom view of thereof; and,
FIG. 4 is a top view thereof.
The broken line is included for the purpose of illustrating
portions of the plumbing fastener and forms no part of the
claimed design.

1 Claim, 1 Drawing Sheet



(56)

References Cited

U.S. PATENT DOCUMENTS

D244,909 S 7/1977 Gill
 D252,208 S 6/1979 Ooya
 D254,802 S 4/1980 Hayes
 D258,379 S 2/1981 Joseph
 D262,940 S 2/1982 Spinner
 D263,163 S 2/1982 Olde
 D268,514 S 4/1983 Thompson
 D273,561 S 4/1984 Ozaki
 D277,454 S 2/1985 Meinhardt
 D281,953 S 12/1985 Newman
 D296,579 S 7/1988 Hattori
 D302,243 S 7/1989 Gonzalez
 D308,982 S 7/1990 Moore
 D311,131 S 10/1990 Saito
 D320,841 S 10/1991 Breadmont
 5,364,134 A 11/1994 Anderson
 5,364,135 A 11/1994 Anderson
 5,441,082 A * 8/1995 Eskew et al. 138/112
 D365,009 S 12/1995 Lenberg
 5,592,975 A * 1/1997 Wissmann et al. 138/112
 D390,923 S 2/1998 Stevens
 D393,589 S 4/1998 Berti
 D397,320 S 8/1998 Hoagland, IV
 D420,107 S 2/2000 Kinder
 D424,073 S 5/2000 Sodergard
 6,059,261 A 5/2000 Han
 6,071,052 A 6/2000 Kerr
 D427,669 S * 7/2000 Ruuska D23/266
 D434,476 S 11/2000 Meda
 D435,652 S 12/2000 Nazarifar
 6,158,475 A * 12/2000 Clemmer 138/112
 6,253,942 B1 7/2001 Elias
 D446,111 S 8/2001 Hussaini
 D457,054 S * 5/2002 Pamer et al. D8/397
 D459,207 S 6/2002 Miyata
 D472,962 S 4/2003 Tripp et al.
 6,581,593 B1 6/2003 Rubin et al.
 D479,585 S 9/2003 Mulligan et al.
 D486,204 S 2/2004 Tripp et al.
 D494,056 S 8/2004 Clendenning
 D499,172 S 11/2004 Tripp et al.
 D503,216 S 3/2005 Berkman et al.
 6,896,004 B1 5/2005 Witzel
 D515,886 S 2/2006 McAnally
 D516,678 S 3/2006 Tripp et al.
 D516,679 S 3/2006 Tripp et al.
 D517,172 S 3/2006 Tripp et al.
 D519,076 S 4/2006 Fox
 7,029,216 B2 4/2006 McKay
 D520,351 S 5/2006 Alkalay
 D522,821 S * 6/2006 Hsieh D8/29
 7,063,565 B2 6/2006 Ward
 D524,149 S 7/2006 Kim
 D532,684 S 11/2006 Barnes
 D535,259 S 1/2007 Rodrigues
 D539,129 S 3/2007 Griffiths
 D551,958 S 10/2007 Chen et al.
 D551,972 S 10/2007 Jacobs et al.
 D553,716 S 10/2007 Lockard
 D558,306 S 12/2007 McCluskey et al.
 7,341,286 B2 3/2008 Andre
 D568,149 S 5/2008 Riedel
 D568,348 S 5/2008 Tsui
 D568,969 S 5/2008 Bucchi
 D581,777 S 12/2008 Huang
 D582,763 S 12/2008 Riedel et al.
 D594,096 S 6/2009 Bucchi
 D594,937 S 6/2009 Price et al.
 D596,272 S 7/2009 Price et al.
 D599,445 S 9/2009 Price et al.

D600,094 S 9/2009 Hwang
 D600,108 S 9/2009 Swan
 D600,546 S 9/2009 Scilingo et al.
 D601,507 S 10/2009 Rodrigues
 D601,671 S * 10/2009 Johnson D23/262
 D606,633 S 12/2009 Price
 D613,596 S 4/2010 Mangapora
 D623,049 S 9/2010 Zeyfang
 D644,673 S 9/2011 Drenth
 D646,950 S * 10/2011 Going D8/307
 D654,151 S * 2/2012 Nease et al. D23/260
 D661,785 S * 6/2012 Johnson D23/262
 8,210,783 B2 7/2012 Morrison
 D669,558 S * 10/2012 Collin et al. D23/262
 D679,988 S 4/2013 Yamazaki
 D681,462 S * 5/2013 Taylor D9/453
 D702,543 S 4/2014 Bell
 2003/0039527 A1 2/2003 Schatz
 2005/0136735 A1 6/2005 Rodrigues
 2012/0117784 A1 5/2012 Collin et al.

OTHER PUBLICATIONS

U.S. Patent and Trademark Office, U.S. Trademark Registration No. 1292631, Sep. 4, 1984, 1 p.
 U.S. Patent and Trademark Office, U.S. Trademark Registration No. 1449260, Jul. 28, 1987, 1 p.
 U.S. Patent and Trademark Office, U.S. Trademark Registration No. 1528093, Mar. 7, 1989, 1 p.
 U.S. Patent and Trademark Office, U.S. Trademark Registration No. 1808997, Dec. 7, 1993, 1 p.
 U.S. Patent and Trademark Office, U.S. Trademark Registration No. 1827467, Mar. 22, 1994, 1 p.
 U.S. Patent and Trademark Office, U.S. Trademark Registration No. 1921242, Sep. 19, 1995, 1 p.
 U.S. Patent and Trademark Office, U.S. Trademark Registration No. 1934767, Nov. 14, 1995, 1 p.
 U.S. Patent and Trademark Office, U.S. Trademark Registration No. 1942076, Dec. 19, 1995, 1 p.
 U.S. Patent and Trademark Office, U.S. Trademark Registration No. 1942077, Dec. 19, 1995, 1 p.
 U.S. Patent and Trademark Office, U.S. Trademark Registration No. 1983118, Jun. 25, 1996, 2 pp.
 U.S. Patent and Trademark Office, U.S. Trademark Registration No. 2036255, Feb. 4, 1997, 1 p.
 U.S. Patent and Trademark Office, U.S. Trademark Registration No. 2163036, Jun. 9, 1998, 1 p.
 U.S. Patent and Trademark Office, U.S. Trademark Registration No. 2354166, May 30, 2000, 1 p.
 U.S. Patent and Trademark Office, U.S. Trademark Registration No. 2401039, Oct. 31, 2000, 1 p.
 U.S. Patent and Trademark Office, U.S. Trademark Registration No. 2635604, Oct. 15, 2002, 1 p.
 U.S. Patent and Trademark Office, U.S. Trademark Registration No. 2785571, Nov. 25, 2003, 1 p.
 U.S. Patent and Trademark Office, U.S. Trademark Registration No. 3474719, Jul. 29, 2008, 1 p.
 Fanski Group Inc., Specification Sheet, PVC Braided Hose, 2008, 1 p. Applicant believes these items were on sale prior to the filing date of the application, but are not sure how long they have been offered for sale.
 Fanski Group Inc., Specification Sheet, Toilet Connector, 2008, 1 p. Applicant believes these items were on sale prior to the filing date of the application, but are not sure how long they have been offered for sale.
 Mueller Industries, Toilet Connector, 1 p. Applicant believes these items were on sale prior to the filing date of the application, but are not sure how long they have been offered for sale.

* cited by examiner

FIG. 1

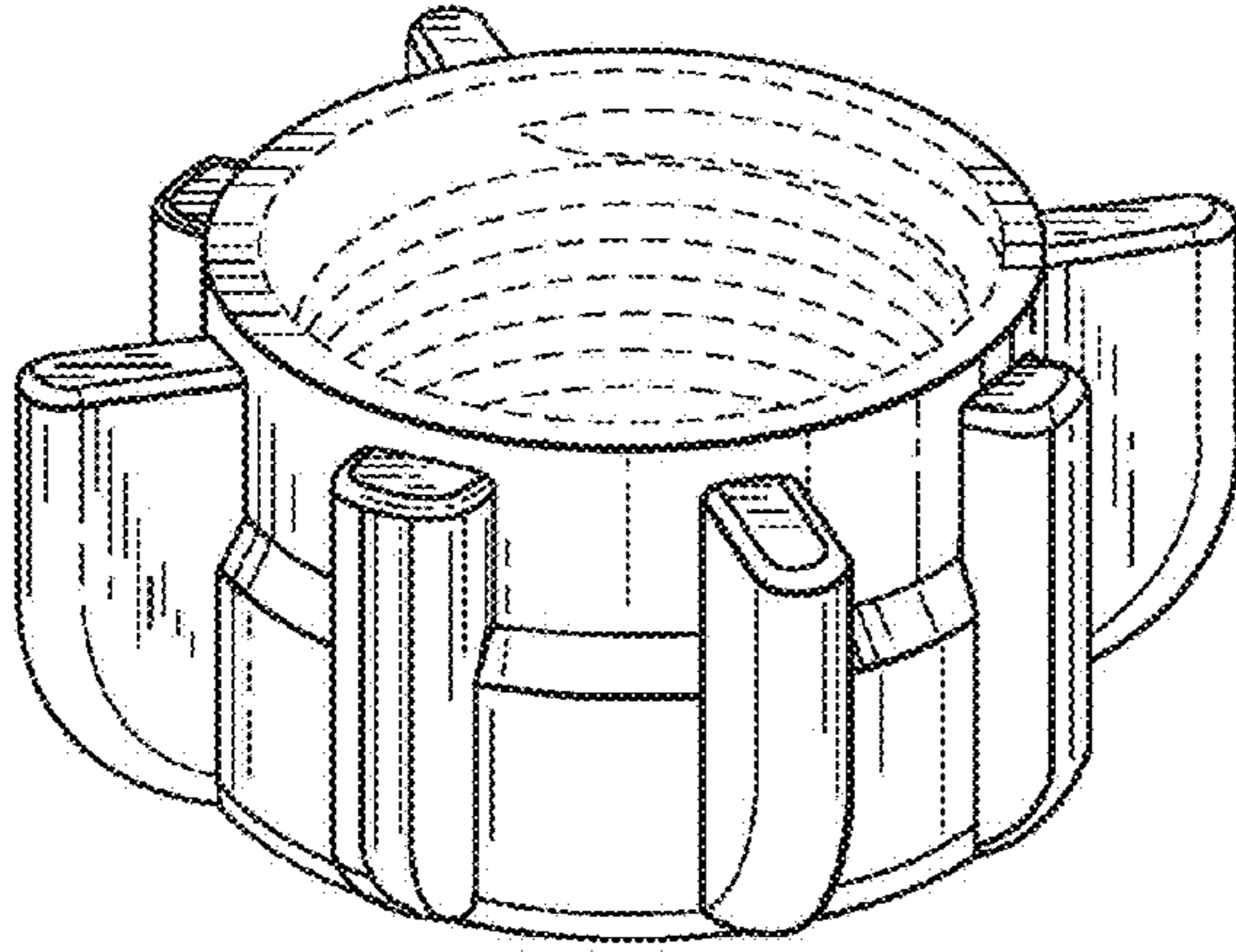


FIG. 2

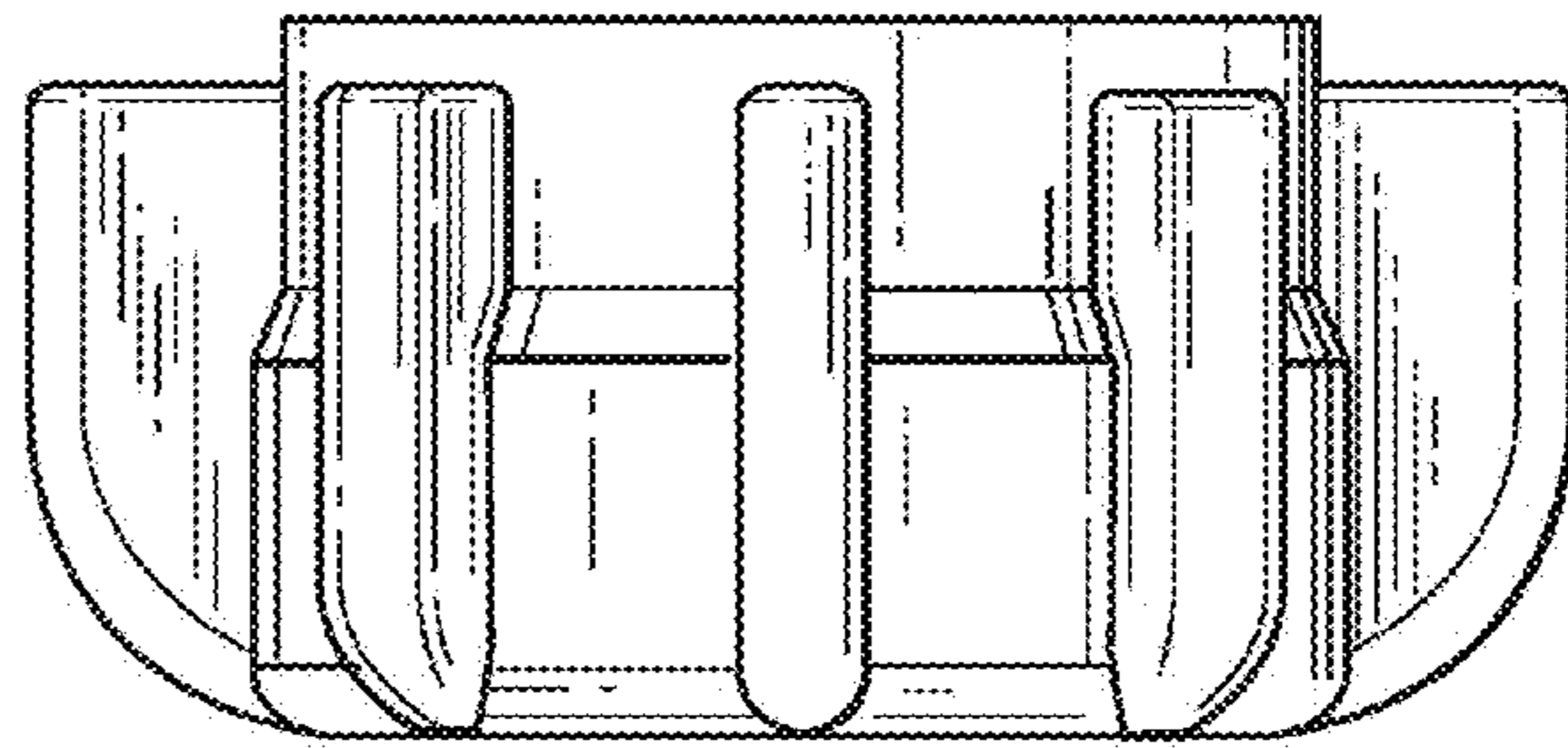


FIG. 3

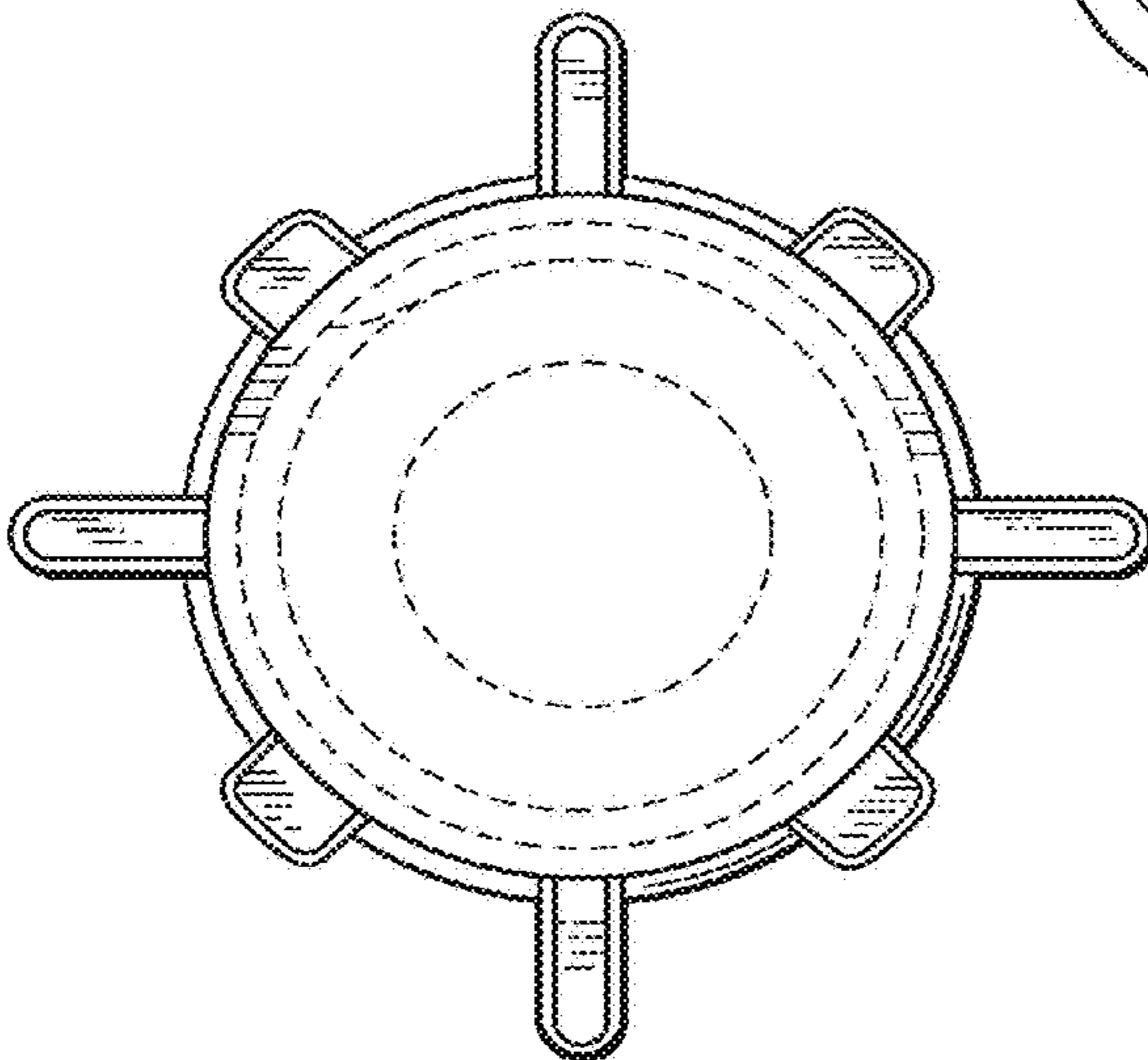
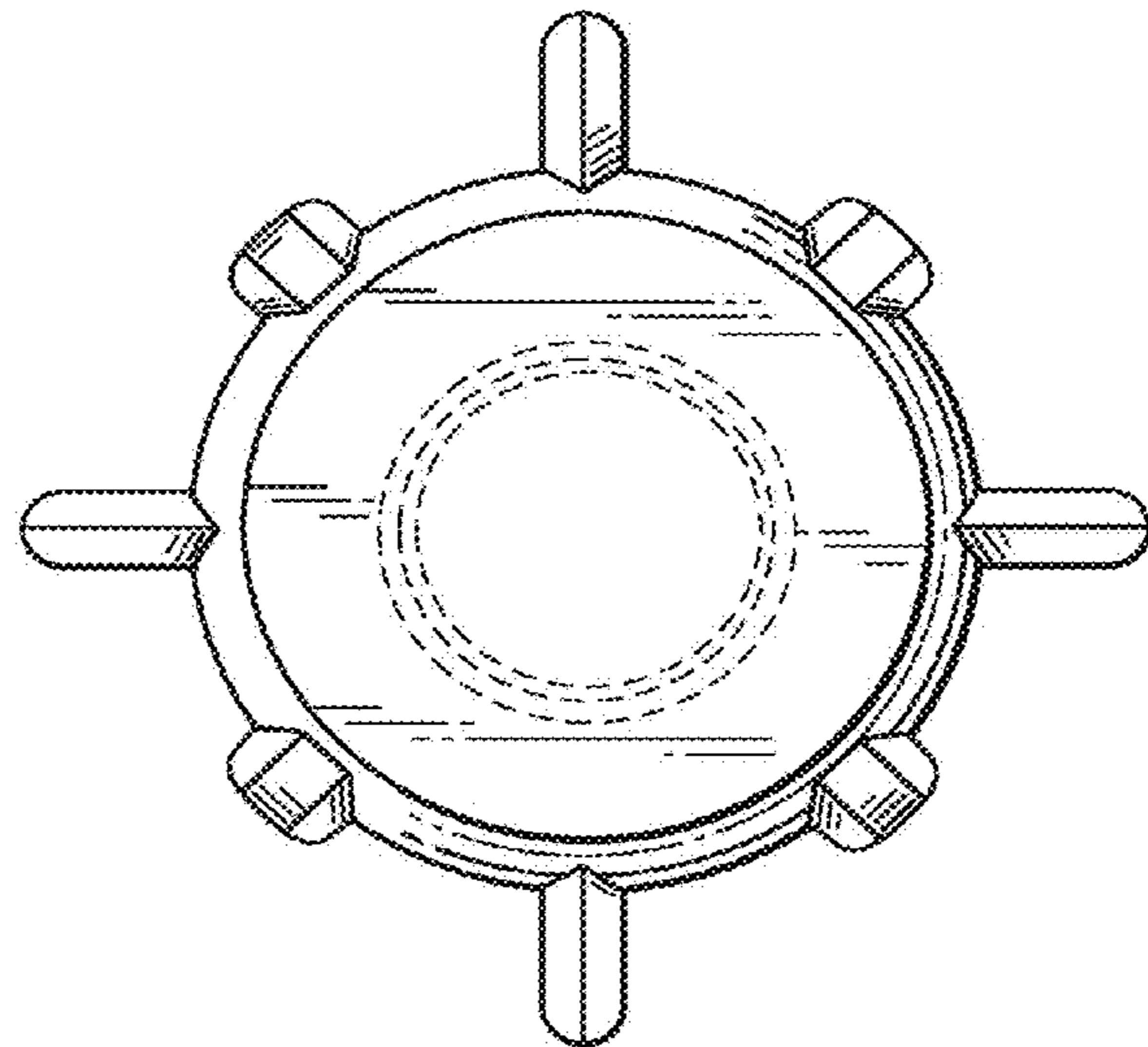


FIG. 4



UNITED STATES PATENT AND TRADEMARK OFFICE
CERTIFICATE OF CORRECTION

PATENT NO. : D715,902 S
APPLICATION NO. : 29/429624
DATED : October 21, 2014
INVENTOR(S) : Michael Malaker et al.

Page 1 of 3

It is certified that error appears in the above-identified patent and that said Letters Patent is hereby corrected as shown below:

Delete Title Page with illustrative FIG. and replace with new Title Page with illustrative FIG.
(Attached)

In the Drawings

Delete Drawing Sheet consisting of FIGS. 1-4, and replace with new Drawing Sheet consisting of
FIGS. 1-4. (Attached)

Signed and Sealed this
Twenty-first Day of April, 2015



Michelle K. Lee
Director of the United States Patent and Trademark Office

(12) **United States Design Patent**
Malaker et al.

(10) **Patent No.:** **US D715,902 S**
(45) **Date of Patent:** **** Oct. 21, 2014**

(54) **PLUMBING FASTENER**

(75) **Inventors:** Michael Malaker, Gurnee, IL (US); Xu Qilin, Jiujiang (CN)

(73) **Assignee:** Homewerks Worldwide, LLC, Lincolnshire, IL (US)

(**) **Term:** 14 Years

(21) **Appl. No.:** 29/429,624

(22) **Filed:** Aug. 14, 2012

2,727,551 A	12/1955	Rees	
D198,713 S	7/1964	Curtiss	
D200,088 S	1/1965	Earnshaw	
3,288,191 A *	11/1966	Thorborg	411/149
D217,540 S	5/1970	Weise	
D218,674 S	9/1970	Ernest	
D220,027 S *	3/1971	Myers	D8/397
D223,187 S	3/1972	Wing	
D224,303 S	7/1972	Bergkvist	
3,702,628 A	11/1972	Cosenza	
D233,138 S	10/1974	Vogel	
D233,652 S	11/1974	Wing	
D243,063 S	1/1977	Mooney	
4,019,550 A	4/1977	DeHaitre	
D244,908 S	7/1977	Hatter	

(Continued)

Related U.S. Application Data

(63) Continuation-in-part of application No. 29/427,577, filed on Jul. 19, 2012.

(51) **LOC (10) Cl.** 23-01

(52) **U.S. Cl.**
USPC D23/262

(58) **Field of Classification Search**
CPC F16L 23/00; F16L 27/00
USPC D23/259-269; D8/382, 387; D13/155;
D24/129; 285/58, 83; 138/109;
123/468

See application file for complete search history.

(56) **References Cited**

U.S. PATENT DOCUMENTS

239,827 A	4/1881	Newman	
D23,917 S	12/1894	Lane	
D25,709 S	6/1896	Pratt	
1,029,775 A	6/1912	Tobin	
D43,713 S	3/1913	Campbell	
D44,178 S	6/1913	McMurtrie	
1,330,594 A *	2/1920	Kraft	411/435
D57,407 S	3/1921	Walker	
D128,314 S	7/1941	Kelly	
D134,789 S	1/1943	Gade	
2,552,794 A	5/1951	Kimbell	

OTHER PUBLICATIONS

Watts, Specification Sheet, Series CTC-P Flexible Reinforced PVC Water Supply Connectors for Toilets. 2005, 2 pp.

(Continued)

Primary Examiner — Eric Goodman
Assistant Examiner — John Reickel
(74) *Attorney, Agent, or Firm* — Banner & Witcoff, Ltd.

(57) **CLAIM**

We claim the ornamental design for a plumbing fastener, as shown and described herein.

DESCRIPTION

FIG. 1 is a perspective view of a plumbing fastener in accordance with our new design;
FIG. 2 is a side elevation view thereof;
FIG. 3 is a bottom view of thereof; and,
FIG. 4 is a top view thereof.
The broken line is included for the purpose of illustrating portions of the plumbing fastener and forms no part of the claimed design.

1 Claim, 1 Drawing Sheet

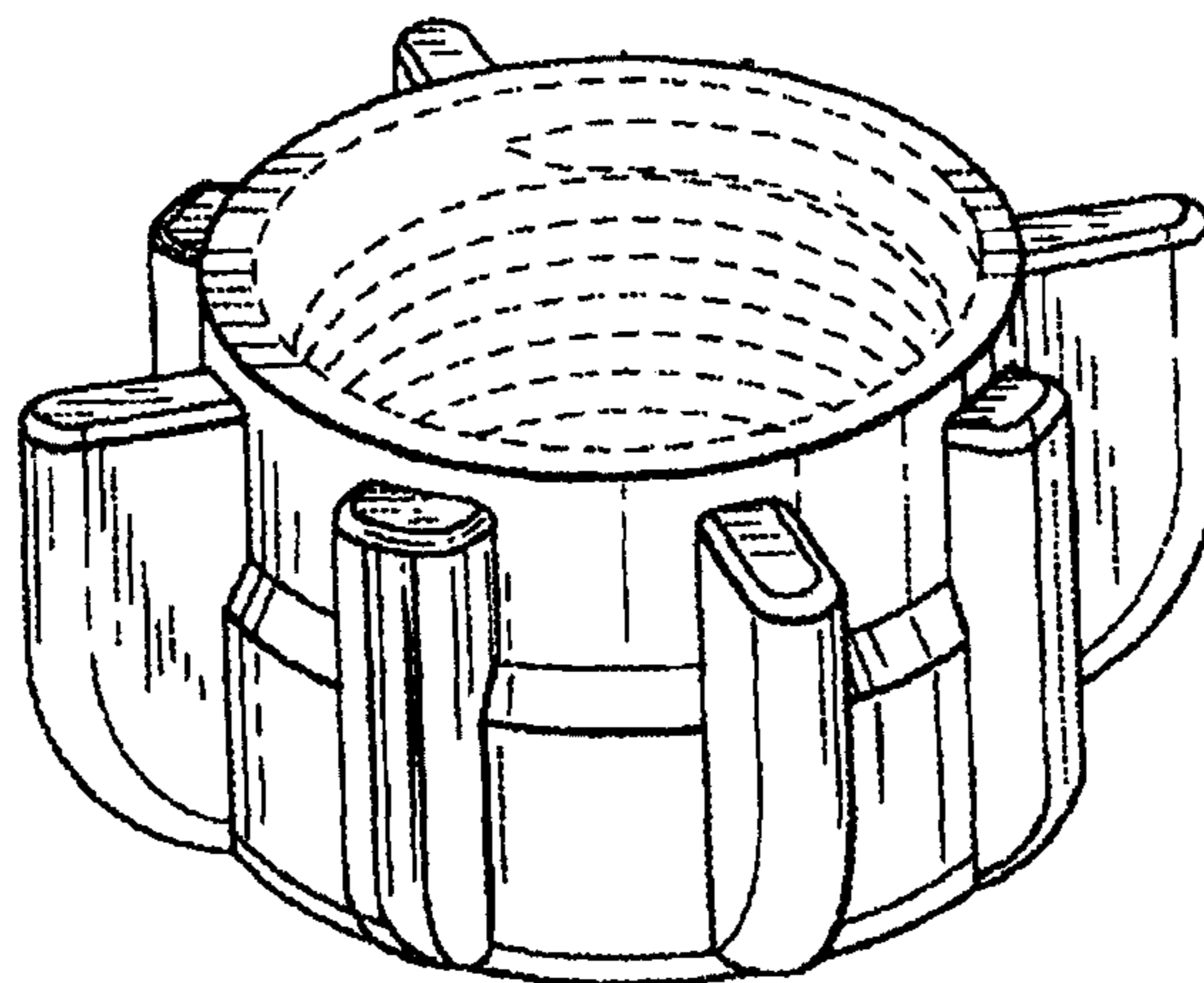


FIG. 1

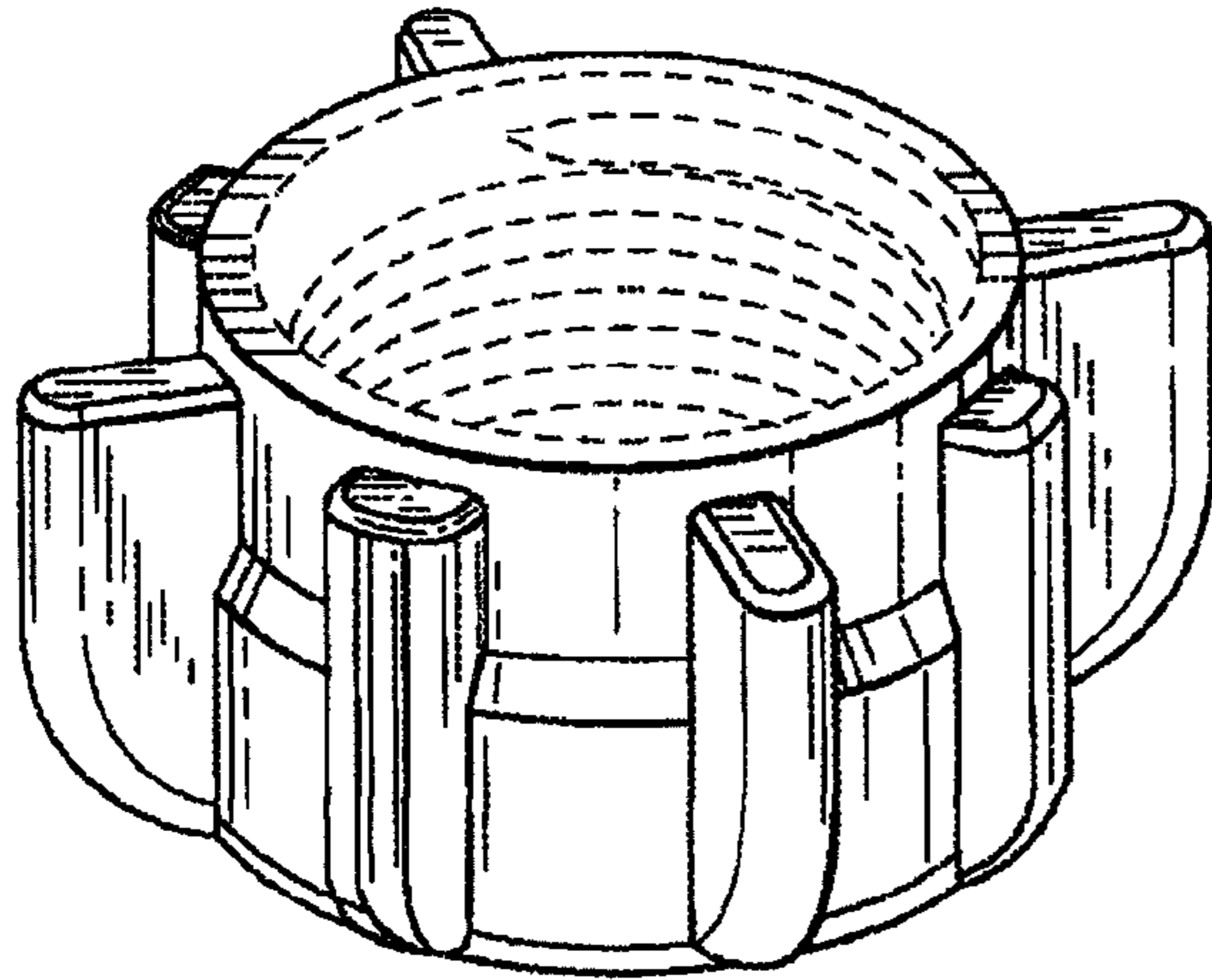


FIG. 2

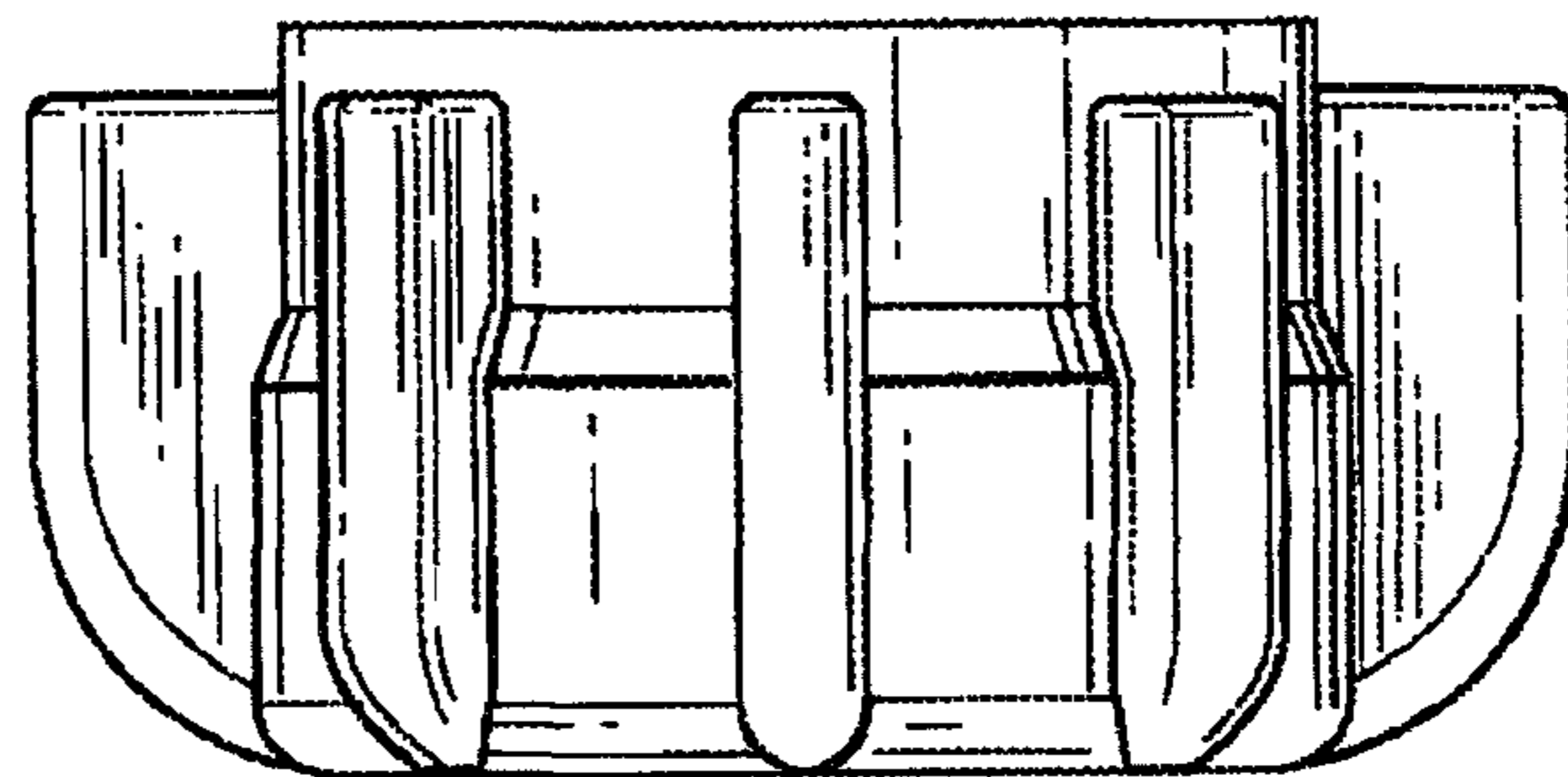


FIG. 3

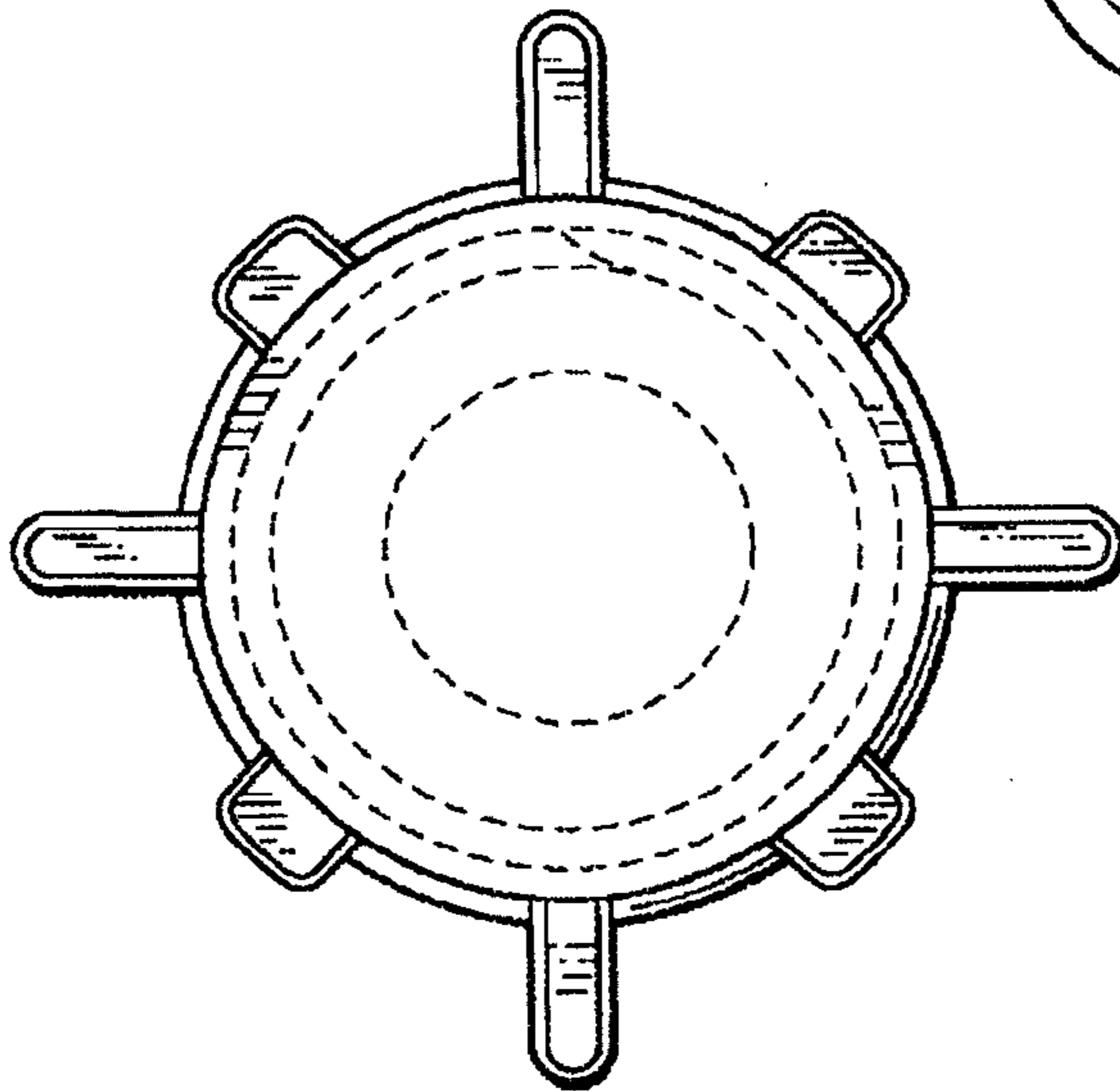


FIG. 4

